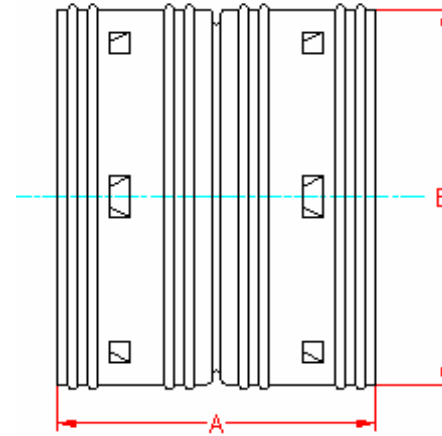


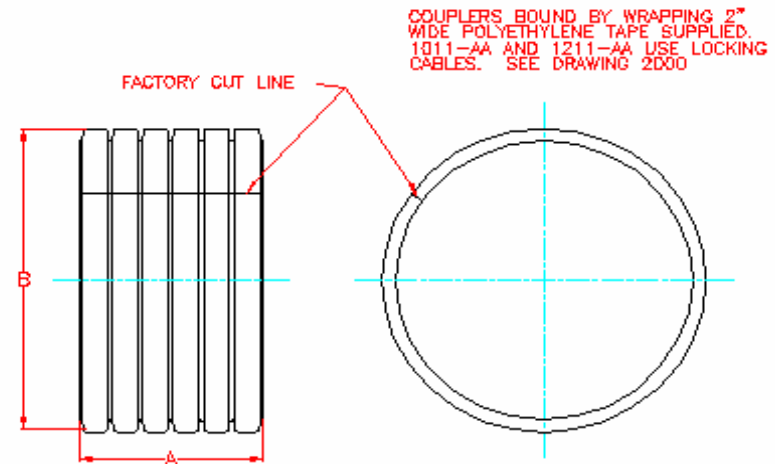
EXTERNAL SNAP COUPLER

PART #	PIPE SIZE	A	B
0312AA	3 in (75 mm)	4.0 in (102 mm)	4.0 in (102 mm)
0412AA*	4 in (100 mm)	4.3 in (108 mm)	5.1 in (130 mm)
0512AA	5 in (125 mm)	4.4 in (111 mm)	6.3 in (159 mm)
0612AA	6 in (150 mm)	5.6 in (143 mm)	7.4 in (187 mm)
0812AA	8 in (200 mm)	6.0 in (152 mm)	10.0 in (254 mm)
1012AA	10 in (250 mm)	10.3 in (260 mm)	12.5 in (318 mm)



SINGLE WALL SPLIT COUPLER

PART #	PIPE SIZE	A	B
0311AA	3 in (75 mm)	3.0 in (76 mm)	4.0 in (102 mm)
0411AA	4 in (100 mm)	3.8 in (95 mm)	5.1 in (130 mm)
0511AA	5 in (125 mm)	4.0 in (102 mm)	6.3 in (159 mm)
0611AA	6 in (150 mm)	4.0 in (102 mm)	7.4 in (187 mm)
0811AA*	8 in (200 mm)	6.0 in (152 mm)	10.0 in (254 mm)
1011AA*	10 in (150 mm)	5.5 in (140 mm)	12.5 in (318 mm)
1211AA	12 in (300 mm)	8.3 in (210 mm)	15.5 in (394 mm)



* DENOTES PARTS THAT CAN ALSO BE USED ON DUAL WALL PIPE

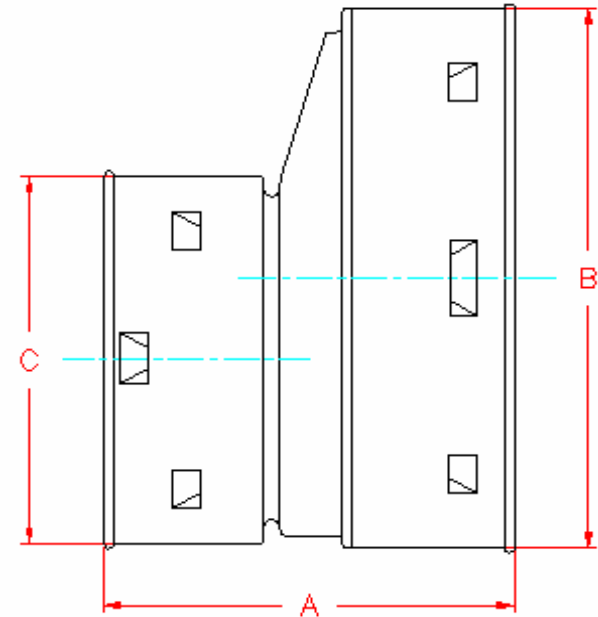
NOTE: ALL DIMENSIONS ARE NOMINAL



DRAWING #:	1000	
DRAWN BY:	CRM	09.11.06
APPROVED BY:	JCB	06.22.07
REVISIONS:	NJP	06.12.07

SINGLE WALL SNAP REDUCING COUPLER

PART #	PIPE SIZE	A	B	C
0314AA	4 x 3 in (100 x 75 mm)	4.6 in (118 mm)	5.1 in (130 mm)	4.0 in (102 mm)
0514AA	5 x 4 in (125 x 100 mm)	5.0 in (127 mm)	6.3 in (159 mm)	5.1 in (130 mm)
0614AA	6 x 4 in (150 x 100 mm)	5.8 in (146 mm)	7.4 in (187 mm)	5.1 in (130 mm)
0516AA	6 x 5 in (150 x 125 mm)	5.8 in (147 mm)	7.4 in (187 mm)	6.3 in (159 mm)
0816AA	8 x 6 in (200 x 150 mm)	5.8 in (146 mm)	10.0 in (254 mm)	7.4 in (187 mm)
1018AA	10 x 8 in (250 x 200 mm)	10.0 in (254 mm)	12.5 in (318 mm)	10.0 in (254 mm)
1210AA	12 x 10 in (300 x 250 mm)	11.0 in (279 mm)	15.5 in (394 mm)	12.5 in (318 mm)



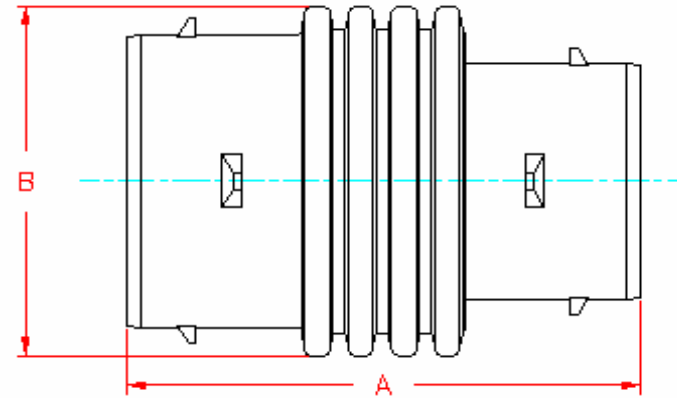
NOTE: ALL DIMENSIONS ARE NOMINAL



DRAWING #:	1005	
DRAWN BY:	CRM	09.11.06
APPROVED BY:	JCB	06.22.07
REVISIONS:	NJP	06.12.07

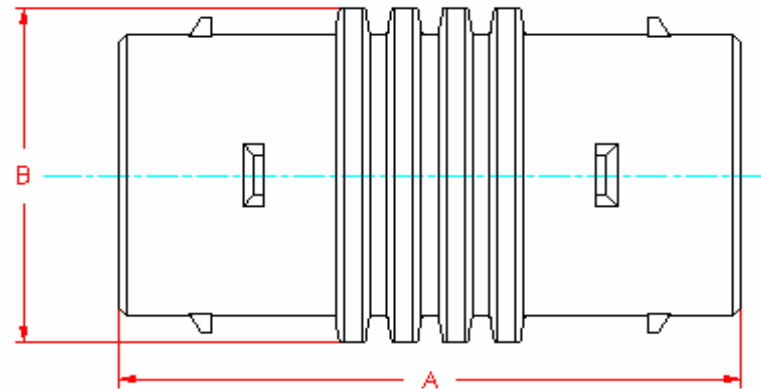
INTERNAL REDUCING COUPLER

PART #	PIPE SIZE	A	B
0425AA	5 x 4 in (125 x 100 mm)	8.8 in (222 mm)	5.9 in (149 mm)
0526AA	6 x 5 in (150 x 125 mm)	8.8 in (222 mm)	7.0 in (178 mm)



INTERNAL COUPLER

PART #	PIPE SIZE	A	B
0315AA	3 in (75 mm)	6.0 in (152 mm)	3.5 in (89 mm)
0415AA	4 in (100 mm)	8.3 in (210 mm)	4.8 in (121 mm)
0417AA	4 in (100 mm)	6.1 in (156 mm)	4.8 in (121 mm)
0515AA	5 in (125 mm)	8.3 in (210 mm)	5.9 in (149 mm)
0615AA	6 in (150 mm)	8.3 in (210 mm)	7.0 in (178 mm)
0815AA	8 in (200 mm)	11.5 in (292 mm)	9.1 in (232 mm)
1015AA	10 in (250 mm)	12.0 in (305 mm)	9.0 in (229 mm)



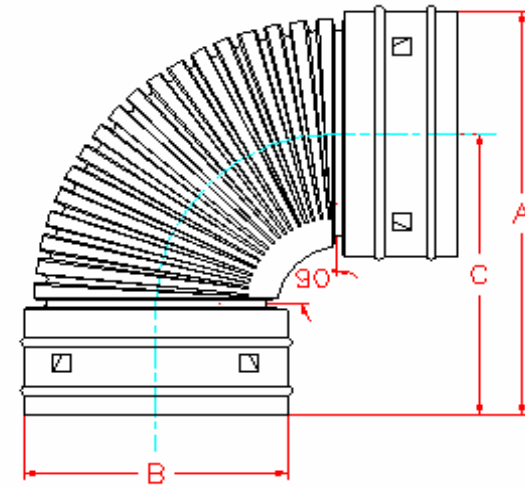
NOTE: ALL DIMENSIONS ARE NOMINAL



DRAWING #:	1010	
DRAWN BY:	CRM	09.11.06
APPROVED BY:	JCB	06.22.07
REVISIONS:	NJP	06.12.07

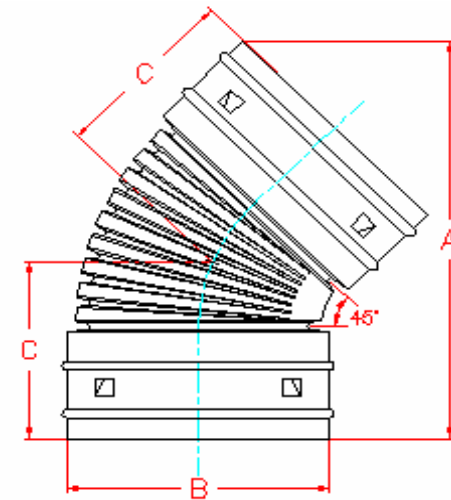
90° SNAP ELBOW

PART #	PIPE SIZE	A	B	C
0390AA	3 in (75 mm)	7.4 in (187 mm)	4.0 in (102 mm)	5.4 in (137 mm)
0490AA	4 in (100 mm)	7.9 in (200 mm)	5.1 in (130 mm)	5.3 in (133 mm)



45° SNAP ELBOW

PART #	PIPE SIZE	A	B	C
0445AA	4 in (100 mm)	7.5 in (191 mm)	5.1 in (130 mm)	3.8 in (95 mm)



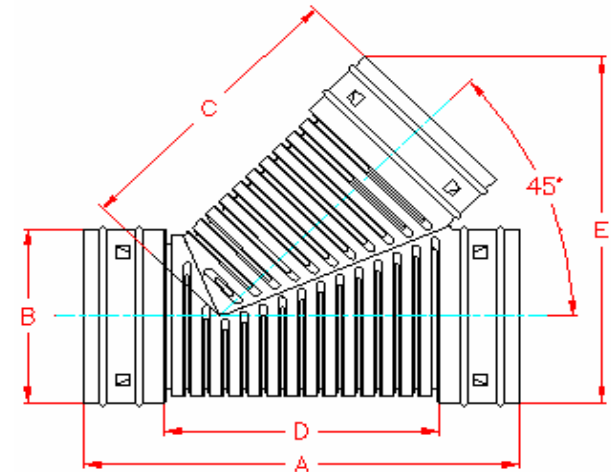
NOTE: ALL DIMENSIONS ARE NOMINAL



DRAWING #:	1015	
DRAWN BY:	CRM	09.11.06
APPROVED BY:	JCB	06.25.07
REVISIONS:	NJP	06.12.07

SINGLE WALL WYE

PART #	PIPE SIZE	A	B	C	D	E
0322AA	3 in (75 mm)	10.5 in (267 mm)	4.0 in (102 mm)	7.0 in (178 mm)	6.4 in (162 mm)	8.4 in (213 mm)
0422AA	4 in (100 mm)	11.6 in (295 mm)	5.1 in (130 mm)	7.6 in (194 mm)	7.3 in (184 mm)	9.8 in (248 mm)
0522AA	5 in (125 mm)	13.6 in (346 mm)	6.3 in (159 mm)	9.3 in (235 mm)	8.8 in (222 mm)	11.9 in (302 mm)
0622AA	6 in (150 mm)	16.0 in (406 mm)	7.4 in (187 mm)	11.1 in (283 mm)	11.4 in (289 mm)	14.1 in (359 mm)
0822AA	8 in (200 mm)	19.3 in (489 mm)	10.0 in (254 mm)	13.5 in (343 mm)	14.9 in (378 mm)	18.8 in (476 mm)



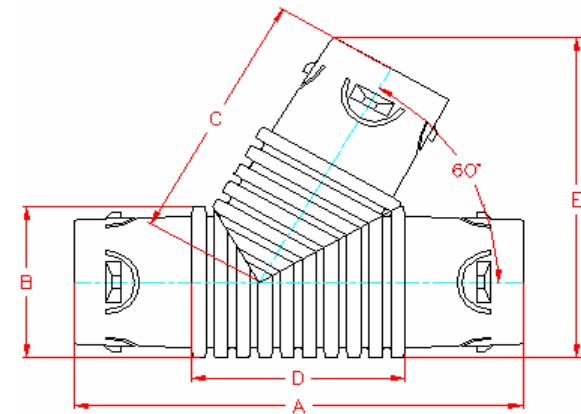
NOTE: ALL DIMENSIONS ARE NOMINAL



DRAWING #:	1020	
DRAWN BY:	CRM	09.11.06
APPROVED BY:	JCB	06.25.07
REVISIONS:	NJP	06.12.07

SINGLE WALL INTERNAL WYE

PART #	PIPE SIZE	A	B	C	D	E
0321AA	3 in (75 mm)	9.9 in (250 mm)	3.5 in (89 mm)	5.8 in (147 mm)	4.7 in (119 mm)	7.5 in (190 mm)



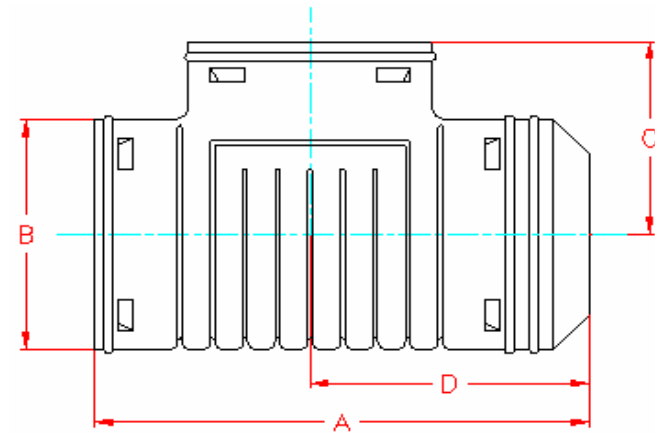
NOTE: ALL DIMENSIONS ARE NOMINAL



DRAWING #:	1021	
DRAWN BY:	CRM	09.11.06
APPROVED BY:	JCB	06.25.07
REVISIONS:	TJR	10.17.07

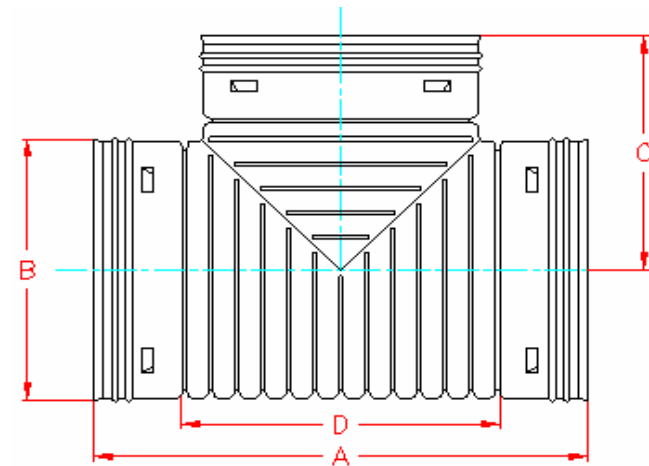
BLIND TEE

PART #	PIPE SIZE	A	B	C	D
0341AA	3 in (75 mm)	10.0 in (254 mm)	4.0 in (102 mm)	4.3 in (108 mm)	5.8 in (146 mm)
0441AA	4 in (100 mm)	12.0 in (305 mm)	5.1 in (130 mm)	4.0 in (6 mm)	7.5 in (191 mm)
0541AA	5 in (125 mm)	12.5 in (318 mm)	6.3 in (159 mm)	5.9 in (149 mm)	6.8 in (171 mm)
0641AA	6 in (150 mm)	14.0 in (356 mm)	7.4 in (187 mm)	6.3 in (159 mm)	7.8 in (197 mm)
0841AA	8 in (200 mm)	20.3 in (514 mm)	9.9 in (251 mm)	10.5 in (267 mm)	10.8 in (273 mm)
1041AA	10 in (250 mm)	21.5 in (546 mm)	12.3 in (311 mm)	12.3 in (311 mm)	10.8 in (273 mm)



SNAP TEE

PART #	PIPE SIZE	A	B	C	D
0321AA	3 in (75 mm)	8.3 in (210 mm)	4.0 in (102 mm)	4.3 in (108 mm)	4.5 in (114 mm)
0421AA	4 in (100 mm)	9.5 in (241 mm)	5.1 in (130 mm)	4.0 in (102 mm)	5.5 in (140 mm)
0525AA	5 in (125 mm)	10.9 in (276 mm)	6.3 in (159 mm)	5.9 in (149 mm)	5.6 in (143 mm)
0626AA	6 in (150 mm)	12.5 in (318 mm)	7.4 in (187 mm)	6.3 in (159 mm)	7.8 in (197 mm)



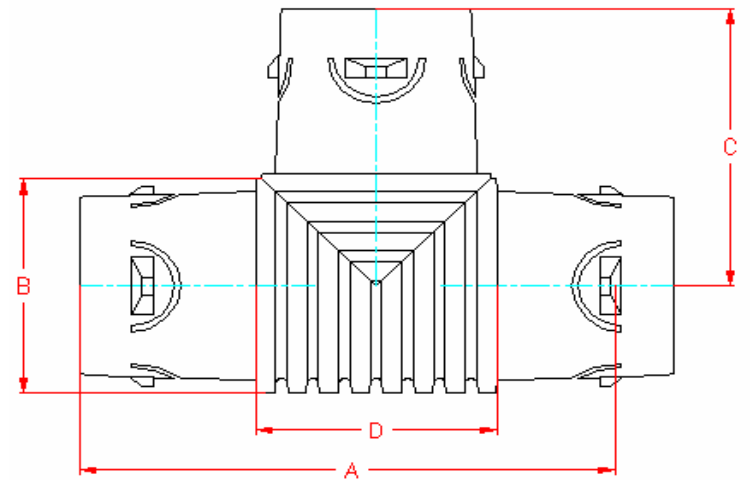
NOTE: ALL DIMENSIONS ARE NOMINAL



DRAWING #:	1025	
DRAWN BY:	CRM	09.11.06
APPROVED BY:	JCB	06.25.07
REVISIONS:	NJP	06.12.07

INTERNAL SNAP TEE

PART #	PIPE SIZE	A	B	C	D
0321AAIN	3 in (75 mm)	9.1 in (231 mm)	3.5 in (89 mm)	4.6 in (116 mm)	3.7 in (94 mm)



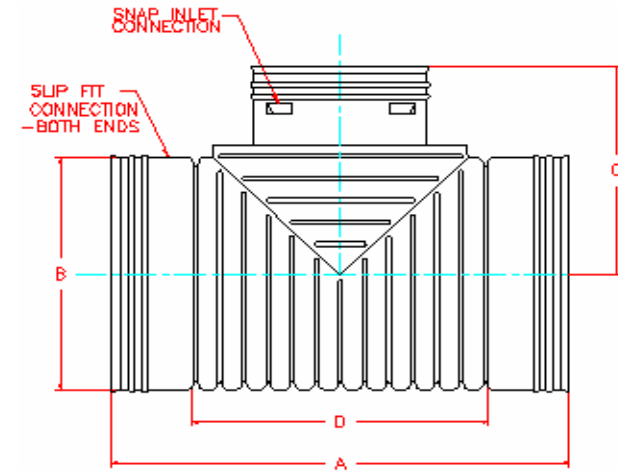
NOTE: ALL DIMENSIONS ARE NOMINAL



DRAWING #:	1026	
DRAWN BY:	CRM	09.11.06
APPROVED BY:	JCB	06.25.07
REVISIONS:	NJP	06.12.07

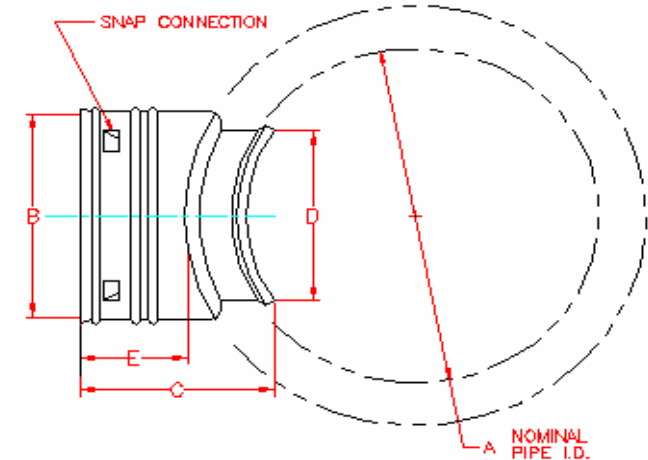
REDUCING TEE

PART #	PIPE SIZE	A	B	C	D
0523AA	5 x 3 in (125 x 75 mm)	11.5 in (292 mm)	4.0 in (102 mm)	6.0 in (152 mm)	7.0 in (178 mm)
0524AA	5 x 4 in (125 x 100 mm)	10.8 in (273 mm)	5.1 in (130 mm)	6.0 in (6 mm)	5.5 in (140 mm)
0624AA	6 x 4 in (150 x 100 mm)	12.5 in (318 mm)	6.3 in (159 mm)	8.5 in (216 mm)	6.5 in (165 mm)
0625AA	6 x 5 in (150 x 125 mm)	12.5 in (318 mm)	7.4 in (187 mm)	8.5 in (216 mm)	6.5 in (165 mm)



TAP TEE

PART #	PIPE SIZE	A	B	C	D	E
0350AA	3 in (75 mm)	6 & 8 in (150 mm) (200 mm)	4.0 in (102 mm)	3.8 in (95 mm)	2.8 in (70 mm)	2.4 in (60 mm)
0450AA	4 in (100 mm)	6 & 8 in (150 mm) (200 mm)	5.1 in (130 mm)	4.5 in (114 mm)	3.8 in (95 mm)	2.5 in (64 mm)
0410AA	4 in (100 mm)	10 & 12 in (250 mm) (300 mm)	5.1 in (130 mm)	5.3 in (133 mm)	3.8 in (95 mm)	2.8 in (70 mm)



NOTE: ALL DIMENSIONS ARE NOMINAL

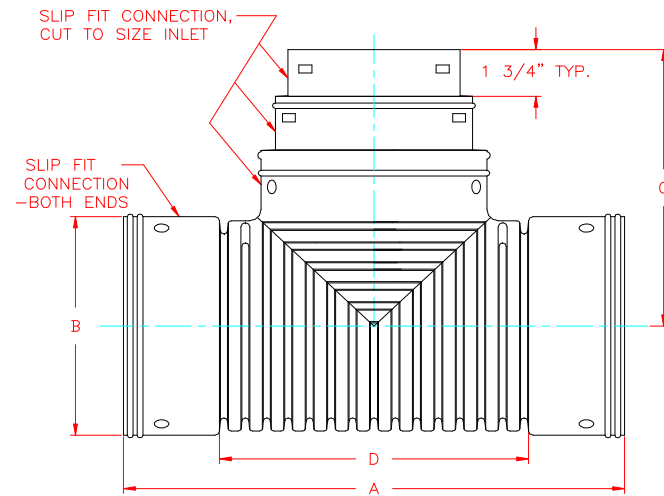


ADVANCED DRAINAGE SYSTEMS, INC.

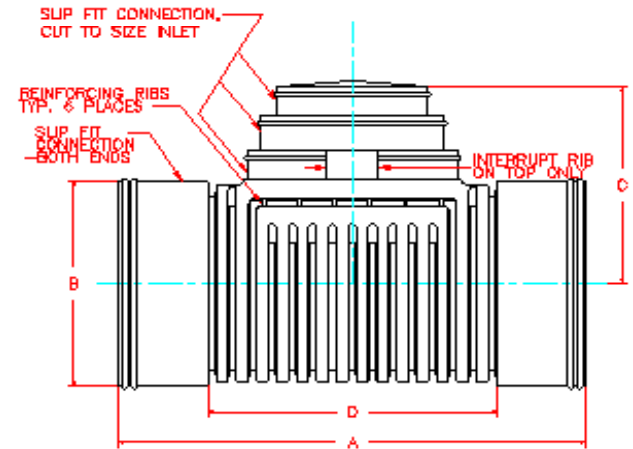
DRAWING #:	1030	
DRAWN BY:	CRM	09.11.06
APPROVED BY:	JCB	06.25.07
REVISIONS:	NJP	06.12.07

MULTIPLE TEE


PART #	PIPE SIZE	A	B	C	D
0644AA	6 in (150 mm)	11.5 in (292 mm)	7.4 in (187 mm)	9.5 in (241 mm)	5.8 in (146 mm)
0844AA	8 in (200 mm)	18.8 in (476 mm)	9.9 in (251 mm)	10.5 in (267 mm)	13.0 in (330 mm)
1044AA	10 in (250 mm)	21.0 in (533 mm)	12.3 in (311 mm)	11.8 in (298 mm)	15.0 in (381 mm)
1244AA	12 in (300 mm)	27.4 in (695 mm)	15.3 in (387 mm)	14.3 in (362 mm)	20.5 in (521 mm)



PART #	PIPE SIZE	A	B	C	D
1247AA	12 in (300 mm)	26.1 in (664 mm)	14.7 in (373 mm)	15.0 in (381 mm)	20.3 in (514 mm)
1547AA	15 in (375 mm)	29.6 in (753 mm)	18.0 in (457 mm)	18.4 in (467 mm)	22.3 in (565 mm)
1847AA	18 in (450 mm)	35.4 in (899 mm)	21.6 in (549 mm)	20.5 in (521 mm)	24.8 in (629 mm)

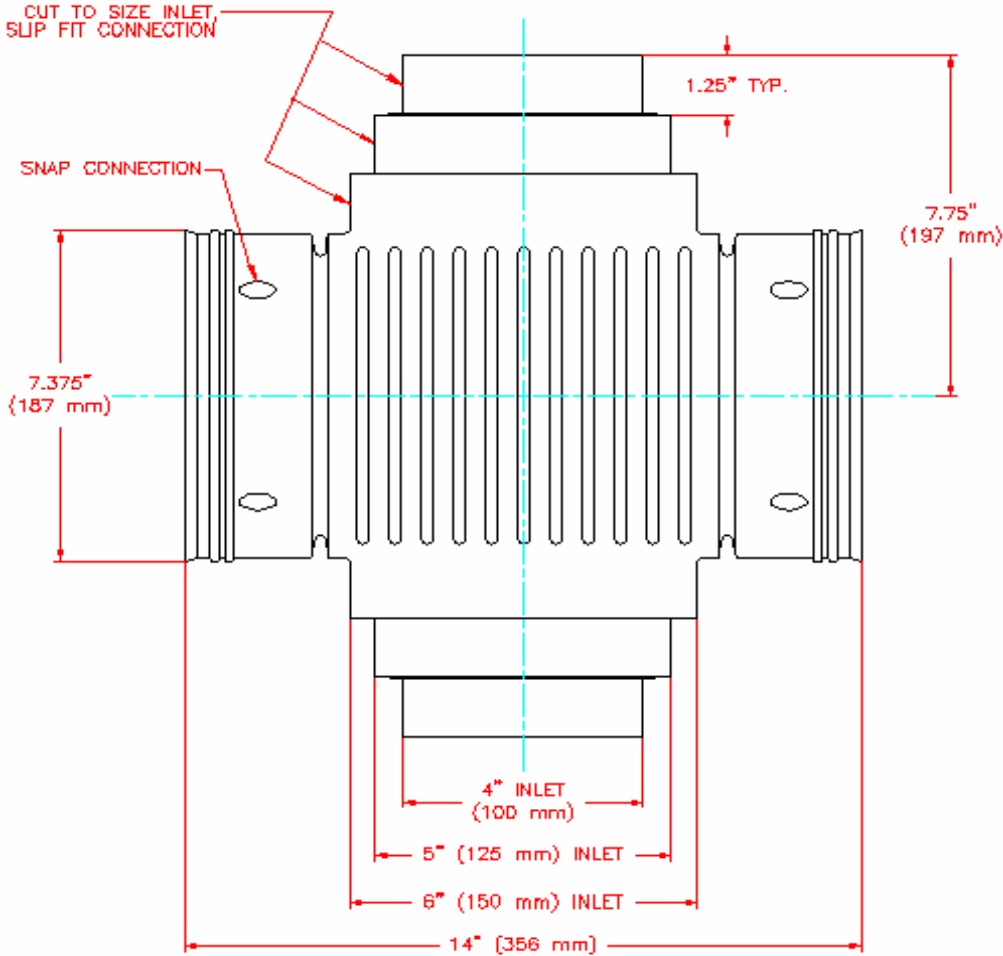


NOTE: ALL DIMENSIONS ARE NOMINAL


 ADVANCED DRAINAGE SYSTEMS, INC.	DRAWING #:	1035	
	DRAWN BY:	CRM	09.11.06
	APPROVED BY:	JCB	06.25.07
	REVISIONS:	TJR	09/02/11

MULTIPLE CROSS TEE

PART # 0654

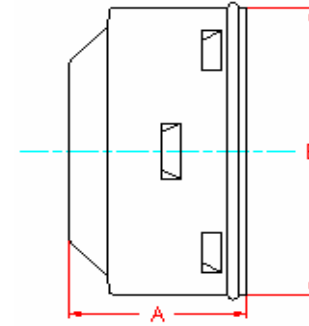


NOTE: ALL DIMENSIONS ARE NOMINAL

 ADVANCED DRAINAGE SYSTEMS, INC.	DRAWING #:	1040	
	DRAWN BY:	CRM	09.11.06
	APPROVED BY:	JCB	06.25.07
	REVISIONS:	NJP	06.12.07

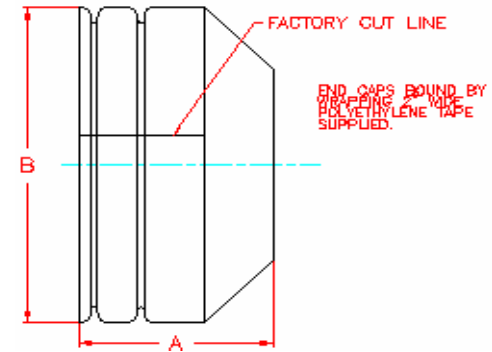
SNAP END CAP

PART #	PIPE SIZE	A	B
0332AA	3 in (75 mm)	1.9 in (48 mm)	4.0 in (102 mm)
0432AA	4 in (100 mm)	2.8 in (70 mm)	5.1 in (130 mm)
0832AA	8 in (200 mm)	4.3 in (108 mm)	9.9 in (251 mm)
1032AA	10 in (250 mm)	5.0 in (127 mm)	12.5 in (318 mm)



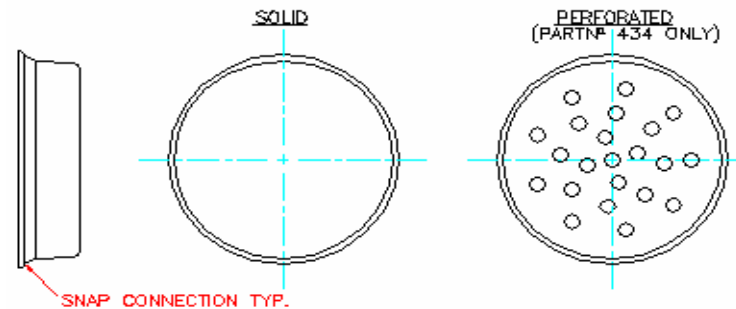
SPLIT END CAP

PART #	PIPE SIZE	A	B
0331AA	3 in (75 mm)	3.3 in (83 mm)	4.0 in (102 mm)
0431AA	4 in (100 mm)	2.8 in (70 mm)	5.1 in (130 mm)
0531AA	5 in (125 mm)	4.3 in (108 mm)	6.3 in (159 mm)
0631AA	6 in (150 mm)	3.3 in (83 mm)	7.4 in (187 mm)



INTERNAL END PLUG

PART #	PIPE SIZE	TYPE
0333AA	3 in (75 mm)	SOLID
0433AA	4 in (100 mm)	SOLID
0533AA	5 in (125 mm)	SOLID
0633AA	6 in (150 mm)	SOLID
0434AA	4 in (100 mm)	PERFORATED



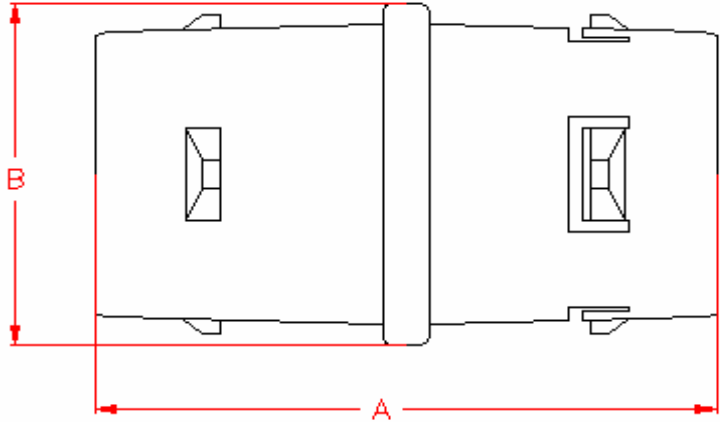
NOTE: ALL DIMENSIONS ARE NOMINAL




DRAWING #:	1045	
DRAWN BY:	CRM	09.11.06
APPROVED BY:	JCB	06.25.07
REVISIONS:	NJP	06.12.07

INTERNAL SNAP PLUG

PART #	PIPE SIZE	A	B
0332AAIN	3 in (75 mm)	6.0 in (152 mm)	3.5 in (89 mm)

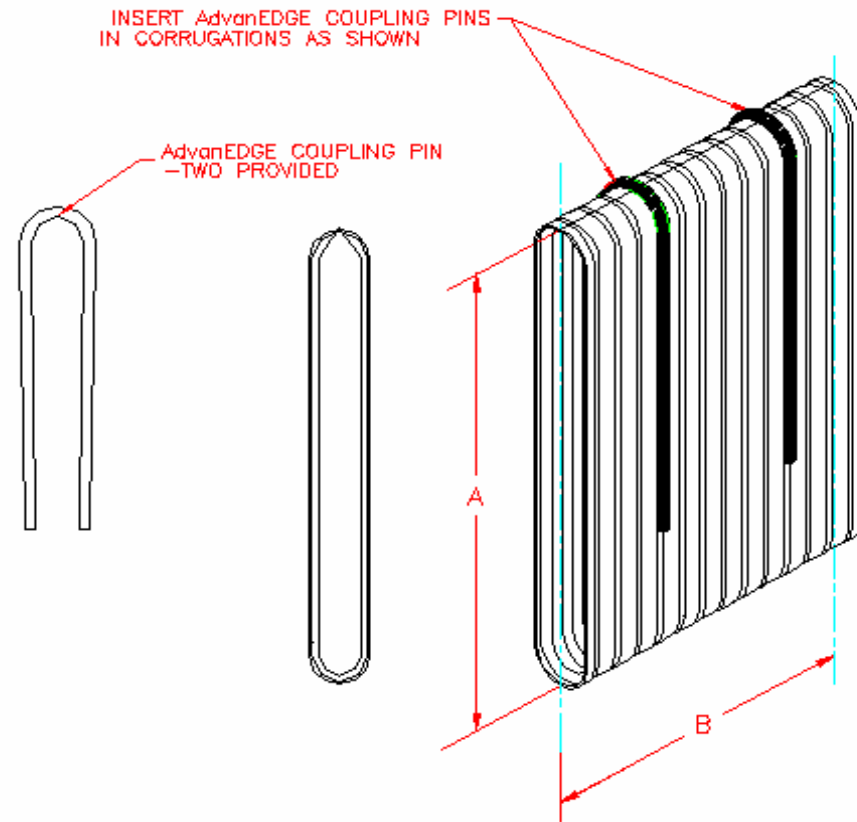


NOTE: ALL DIMENSIONS ARE NOMINAL

	DRAWING #:	1046	
	DRAWN BY:	CRM	09.11.06
	APPROVED BY:	JCB	06.25.07
	REVISIONS:	NJP	06.12.07

AdvanEDGE™ EXTERNAL SPLIT COUPLERS

PART #	PIPE SIZE	A	B
1411AA	12 in (300 mm)	12.9 in (327 mm)	8.5 in (216 mm)
1611AA	18 in (300 mm)	18.1 in (461 mm)	8.5 in (216 mm)



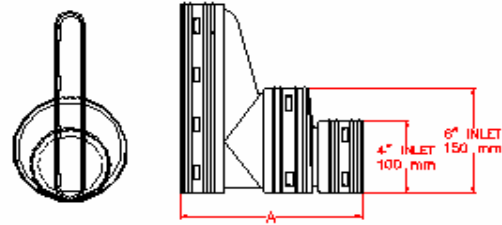
NOTE: ALL FITTINGS DIMENSIONS ARE FOR REFERENCE ONLY



DRAWING #:	1100	
DRAWN BY:	JCB	04.06.06
APPROVED BY:	JCB	06.25.07
REVISIONS:	NJP	06.12.07

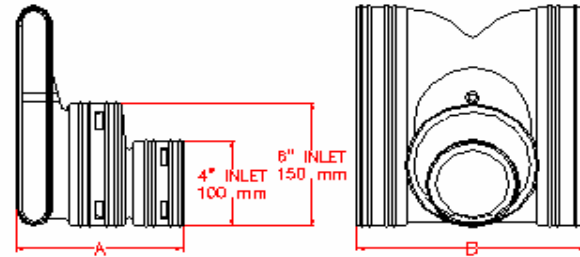
AdvanEDGE™ END OUTLETS

PART #	PIPE SIZE	A
1472AA	12 in (300 mm)	12.3 in (311 mm)
1672AA	18 in (300 mm)	13.3 in (337 mm)

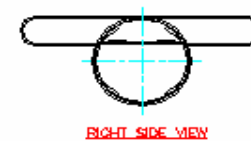
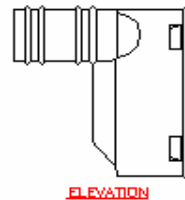
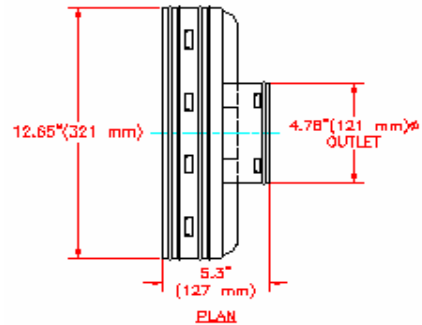


AdvanEDGE™ SIDE OUTLETS

PART #	PIPE SIZE	A	B
1471AA	12 in (300 mm)	9.4 in (238 mm)	12.4 in (314 mm)
1671AA	18 in (300 mm)	9.4 in (238 mm)	12.5 in (318 mm)



12" FLAT AdvanEDGE™ OUTLET (PART # 1432AN)



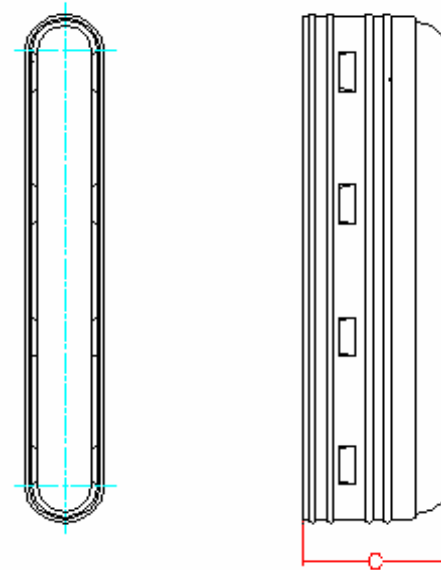
NOTE: ALL FITTINGS DIMENSIONS ARE FOR REFERENCE ONLY




DRAWING #:	1105	
DRAWN BY:	JCB	04.06.06
APPROVED BY:	JCB	06.25.07
REVISIONS:	NJP	06.12.07

AdvanEDGE™ SNAP END CAP

PART #	PIPE SIZE	C
1432AA	12 in (300 mm)	3.5 in (89 mm)
1632AA	18 in (300 mm)	4.0 in (102 mm)

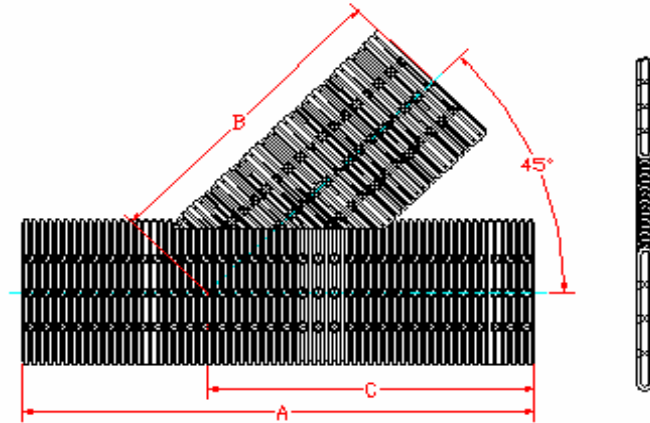


NOTE: ALL FITTINGS DIMENSIONS ARE FOR REFERENCE ONLY AND MAY VARY

 ADVANCED DRAINAGE SYSTEMS, INC.	DRAWING #:	1110	
	DRAWN BY:	JCB	04.06.06
	APPROVED BY:	JCB	06.25.07
	REVISIONS:	NJP	06.12.07

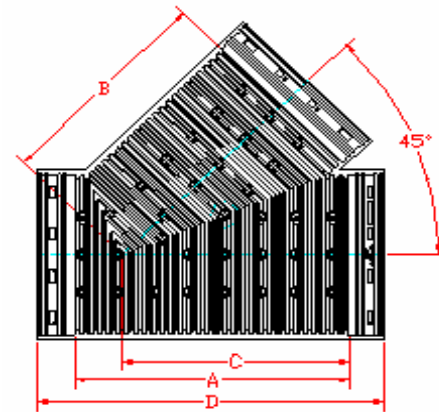
AdvanEDGE™ FABRICATED WYE

PART #	PIPE SIZE	A	B	C
1480ANH	12 in (300 mm)	31.5 in (800 mm)	23.2 in (588 mm)	20.6 in (522 mm)
1680ANH	18 in (300 mm)	42.5 in (1080 mm)	30.4 in (771 mm)	30.6 in (776 mm)



AdvanEDGE™ WYE

PART #	PIPE SIZE	A	B	C	D
1480AA	12 in (300 mm)	21.0 in (534 mm)	16.8 in (427 mm)	16.8 in (427 mm)	26.0 in (661 mm)



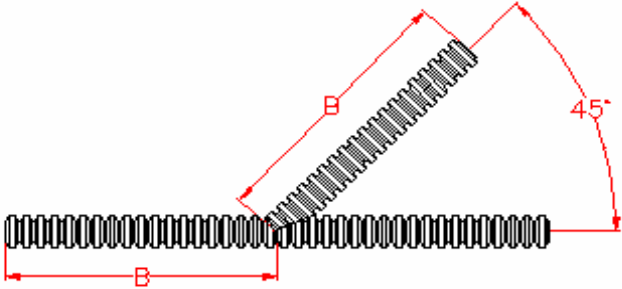
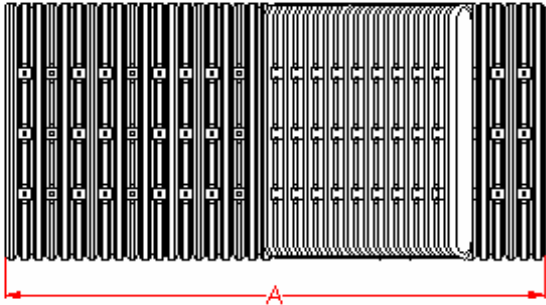
NOTE: ALL FITTINGS DIMENSIONS ARE FOR REFERENCE ONLY




DRAWING #:	1115	
DRAWN BY:	JCB	04.06.06
APPROVED BY:	JCB	06.25.07
REVISIONS:	NJP	06.12.07

AdvanEDGE™ FABRICATED WYES

PART #	PIPE SIZE	A	B
1480AN	12 in (300 mm)	26.0 in (660 mm)	13.0 in (330 mm)
1680AN	18 in (300 mm)	26.0 in (660 mm)	13.0 in (330 mm)

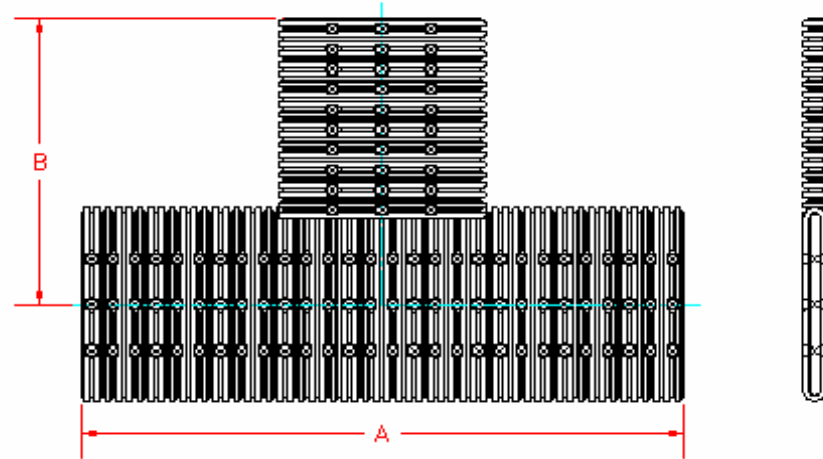


NOTE: ALL FITTINGS DIMENSIONS ARE FOR REFERENCE ONLY


	DRAWING #:	1115A
	DRAWN BY:	JCB 04.06.06
	APPROVED BY:	JCB 06.25.07
	REVISIONS:	NJP 06.12.07

AdvanEDGE™ FABRICATED TEES

PART #	PIPE SIZE	A	B
1460ANH	12 in (300 mm)	28.9 in (733 mm)	14.4 in (367 mm)
1660ANH	18 in (300 mm)	34.1 in (866 mm)	17.1 in (433 mm)

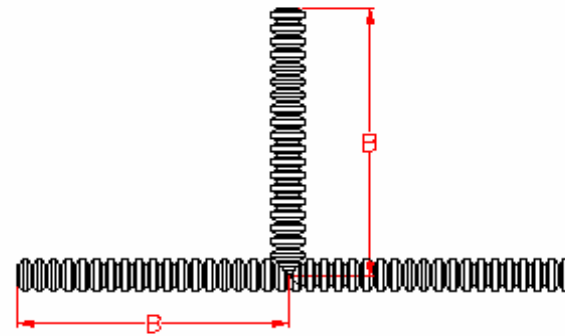
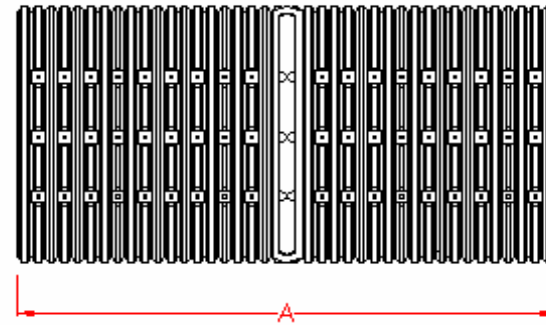


NOTE: ALL FITTINGS DIMENSIONS ARE FOR REFERENCE ONLY


	DRAWING #:	1120	
	DRAWN BY:	JCB	04.06.06
	APPROVED BY:	JCB	06.25.07
	REVISIONS:	NJP	06.12.07

AdvanEDGE™ FABRICATED TEES

PART #	PIPE SIZE	A	B
1460AN	12 in (300 mm)	26.0 in (660 mm)	13.0 in (330 mm)
1660AN	18 in (300 mm)	26.0 in (660 mm)	13.0 in (330 mm)

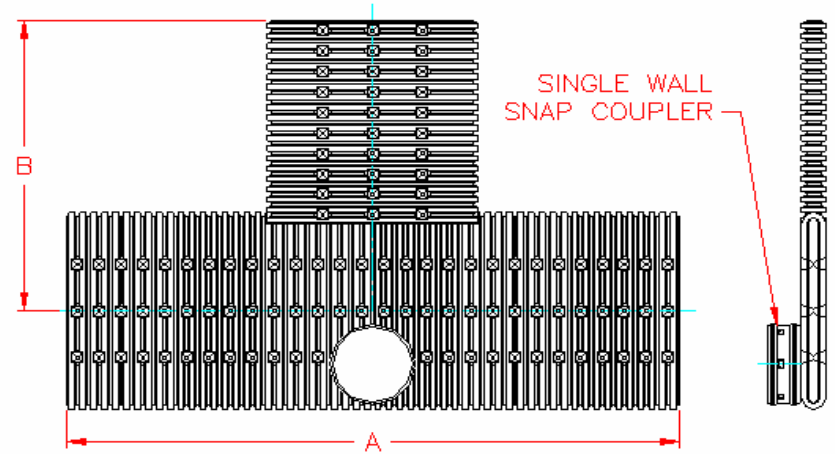


NOTE: ALL FITTINGS DIMENSIONS ARE FOR REFERENCE ONLY

	DRAWING #:	1120A	
	DRAWN BY:	JCB	04.06.06
	APPROVED BY:	JCB	06.25.07
	REVISIONS:	NJP	06.12.07

AdvanEDGE™ FABRICATED TEE WITH SIDE OUTLET

PART #	PIPE SIZE	COUPLER	A	B
1464ANH	12 in (300 mm)	4 in (300 mm)	28.9 in (733 mm)	14.4 in (367 mm)
1464ANH81 PERF	12 in (300 mm)	4 in (300 mm)	28.9 in (733 mm)	14.4 in (367 mm)



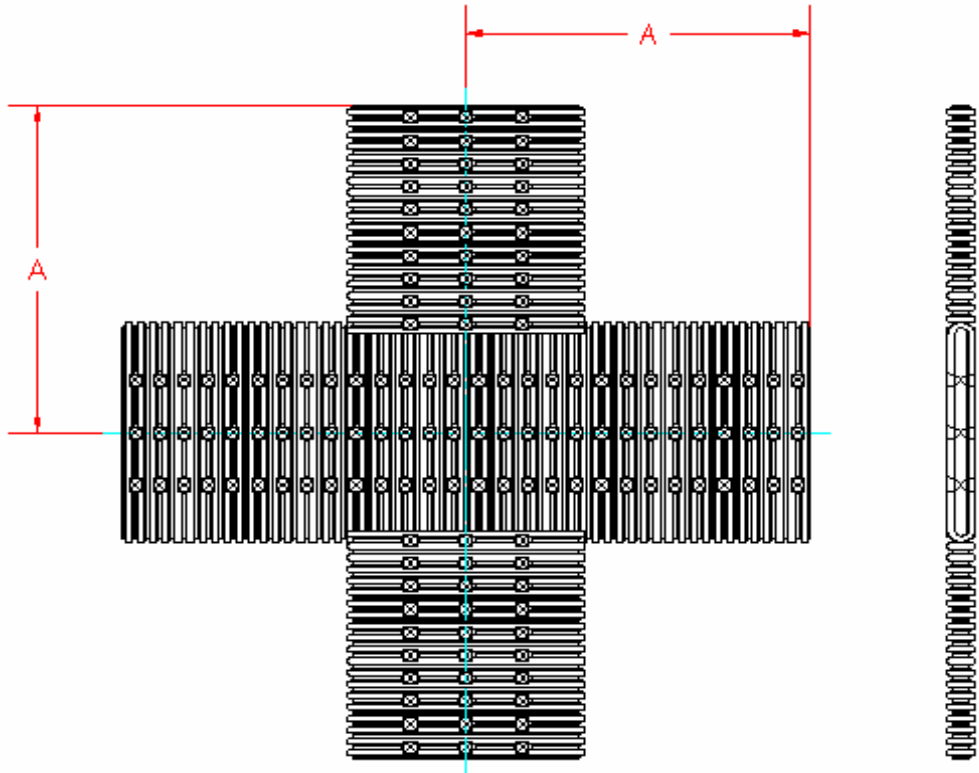
NOTE: ALL FITTINGS DIMENSIONS ARE FOR REFERENCE ONLY




DRAWING #:	1125	
DRAWN BY:	JCB	04.06.06
APPROVED BY:	JCB	06.25.07
REVISIONS:	NJP	06.12.07

AdvanEDGE™ FABRICATED CROSS TEE

PART #	PIPE SIZE	A
1436ANH	12 in (300 mm)	14.4 in (367 mm)

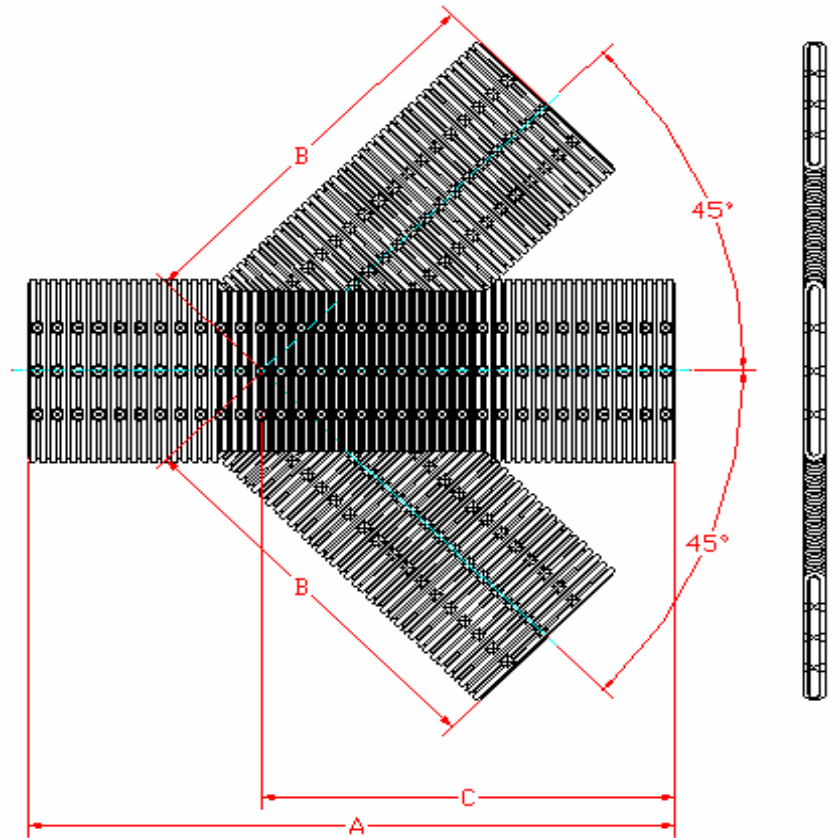


NOTE: ALL FITTINGS DIMENSIONS ARE FOR REFERENCE ONLY

	DRAWING #:	1130	
	DRAWN BY:	JCB	04.06.06
	APPROVED BY:	JCB	06.25.07
	REVISIONS:	NJP	06.12.07

AdvanEDGE™ FABRICATED CROSS WYE

PART #	PIPE SIZE	A	B	C
1438ANH	12 in (300 mm)	31.5 in (800 mm)	23.2 in (588 mm)	20.6 in (522 mm)



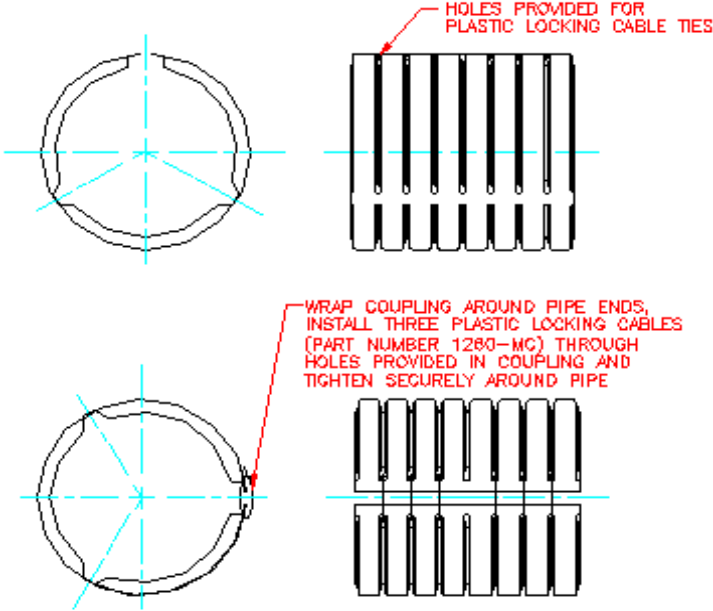
NOTE: ALL FITTINGS DIMENSIONS ARE FOR REFERENCE ONLY




DRAWING #:	1135	
DRAWN BY:	JCB	04.06.06
APPROVED BY:	JCB	06.25.07
REVISIONS:	NJP	06.12.07

DOUBLE WIDE ST COUPLER
 10" - 36" DIAMETER

PART #	PIPE SIZE	A
1069AA	10 in (250 mm)	10.8 in (273 mm)
1269AA	12 in (300 mm)	15.8 in (400 mm)
1569AA	15 in (375 mm)	21.0 in (533 mm)
1869AA	18 in (450 mm)	23.6 in (600 mm)
2469AA	24 in (600 mm)	25.5 in (648 mm)
3069AA	30 in (750 mm)	33.0 in (838 mm)
3669AC	36 in (900 mm)	42.0 in (1067 mm)



NOTE: ALL FITTINGS DIMENSIONS ARE FOR REFERENCE ONLY

 ADVANCED DRAINAGE SYSTEMS, INC.	DRAWING #:	2000
	DRAWN BY:	JCB 09.05.06
	APPROVED BY:	
	REVISIONS:	TJR 2/24/2015

**"A" PROFILE ST SPLIT COUPLER
10" - 60" DIAMETER**

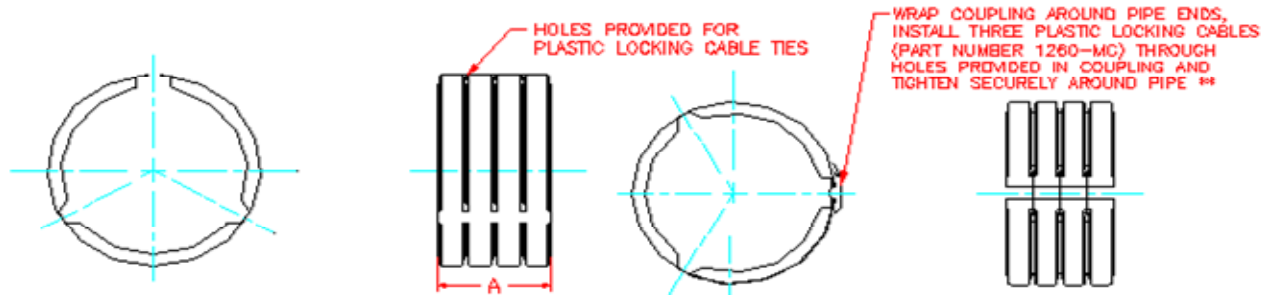
PART #	PIPE SIZE	A
0665AA	6 in (150 mm)	4.7 in (119 mm)
1011AA	10 in (250 mm)	5.0 in (128 mm)
1211AA*	12 in (300 mm)	7.7 in (195 mm)
1265AA	12 in (300 mm)	7.7 in
1266AA		(196 mm)
1565AA	15 in (375 mm)	10.4 in
1566AA		(263 mm)
1865AA	18 in (450 mm)	10.7 in
1866AA		(272 mm)
2465AA	24 in (600 mm)	12.6 in
2466AA		(320 mm)
3065AA	30 in (750 mm)	16.5 in
3066AA		(419 mm)
3661AA	36 in (900 mm)	21.0 in
3662AA		(533 mm)
4265AA**	42 in (1050 mm)	20.8 in
4266AA**		(527 mm)
4865AA**	48 in (1200 mm)	21.0 in
4866AA**		(533 mm)
6065AA**	60 in (1500 mm)	24.0 in
6066AA**		(610 mm)

NOTES:

PARTS ENDING WITH "65" OR "61" DO NOT HAVE A GASKET.
PARTS ENDING WITH "66" OR "62" ARE THE PREMIUM COUPLING SUPPLIED WITH A GASKET.

* PART 1211-11 FOR TWO STAGE SINGLE WALL PIPE ONLY

** REPRESENTS A TWO-PIECE COUPLING SUPPLIED WITH SIX CABLES



NOTE: ALL FITTINGS DIMENSIONS ARE FOR REFERENCE ONLY

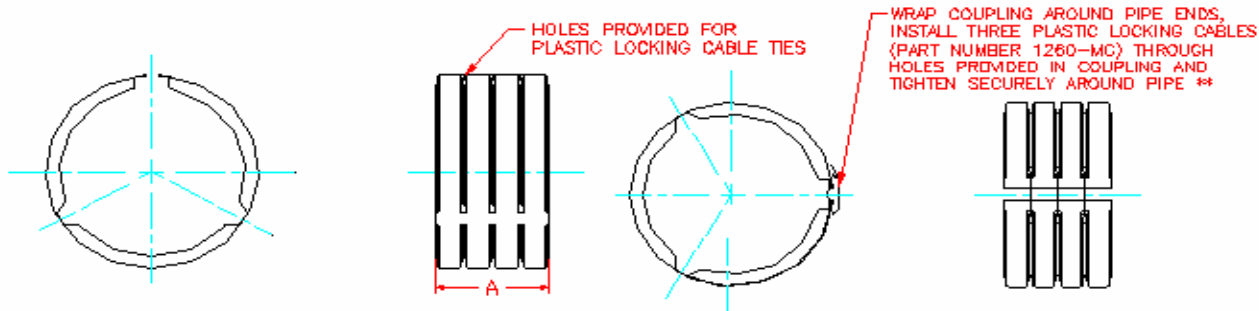


DRAWING #:	2000A	
DRAWN BY:	JCB	09.05.06
APPROVED BY:	JCB	06.25.07
REVISIONS:	TJR	6/7/2011

**"H" PROFILE ST SPLIT COUPLER
10" - 60" DIAMETER**

PART #	PIPE SIZE	A
1011AA	10 in (250 mm)	5.0 in (128 mm)
1211AA*	12 in (300 mm)	7.7 in (195 mm)
1265AA	12 in (300 mm)	7.7 in
1266AA		(196 mm)
1565AA	15 in (375 mm)	10.4 in
1566AA		(263 mm)
1865AA	18 in (450 mm)	10.7 in
1866AA		(272 mm)
2465AA	24 in (600 mm)	12.6 in
2466AA		(320 mm)
3065AA	30 in (750 mm)	16.5 in
3066AA		(419 mm)
FCCPB360000	36 in (900 mm)	19.1 in (485 mm)
N/A	42 in (1050 mm)	23.9 in (607 mm)
FCCPB480000	48 in (1200 mm)	23.9 in (608 mm)
N/A	60 in (1500 mm)	32.0 in (813 mm)

NOTE:
TOP # : COUPLER ONLY
BOTTOM # : COUPLER WITH GASKET



NOTE: ALL FITTINGS DIMENSIONS ARE FOR REFERENCE ONLY

	DRAWING #:	2000B	
	DRAWN BY:	JCB	09.05.06
	APPROVED BY:	JCB	06.25.07
	REVISIONS:	NJP	06.13.07

SPLIT COUPLER REFERENCE CHART
36" - 60" DIAMETER

PART #	PIPE SIZE	PROFLE CONNECTION
3661AA	36 in	A - A
FCCPB360000		H - H
FCCPB360000		A - H
4265AA	42 in	A - A
MAR-MAC		H - H
MAR-MAC		A - H
4865AA	48 in	A - A
FCCPB480000		H - H
4865ANAH		A - H
6065AA	60 in	A - A
MAR-MAC		H - H
MAR-MAC		A - H

* WRAP WITH GEOTEXTILE FOR PROPER CONNECTION

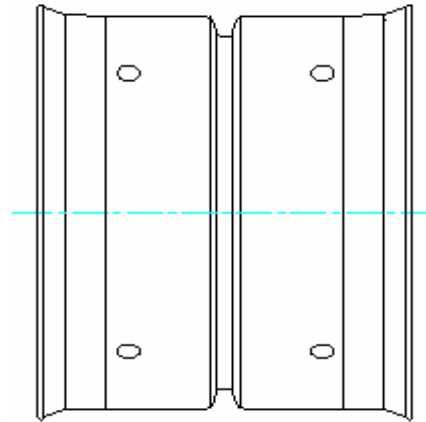
NOTE: ALL FITTINGS DIMENSIONS ARE FOR REFERENCE ONLY



DRAWING #:	2000C	
DRAWN BY:	JCB	09.05.06
APPROVED BY:	JCB	06.25.07
REVISIONS:	NJP	06.13.07

EXTERNAL SNAP COUPLING
4" - 24" DIAMETER

PART #	PIPE SIZE
0413AA	4 in (100 mm)
0613AA	6 in (150 mm)
0813AA	8 in (200 mm)
1013AA	10 in (250 mm)
1214AA	12 in (300 mm)
1514AA	15 in (375 mm)
1814AA	18 in (450 mm)
2414AA	24 in (600 mm)



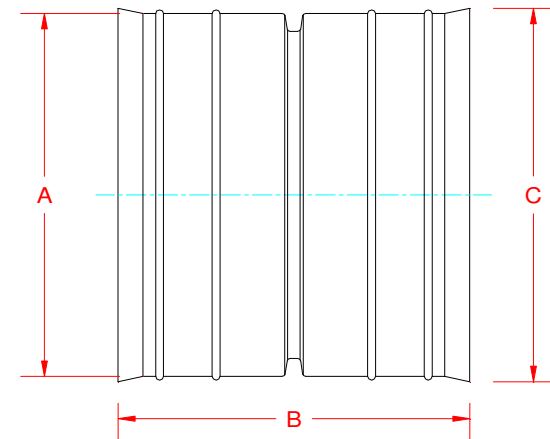
NOTE: ALL FITTINGS DIMENSIONS ARE FOR REFERENCE ONLY



DRAWING #:	2005	
DRAWN BY:	JCB	09.06.06
APPROVED BY:	JCB	06.25.07
REVISIONS:	NJP	06.13.07

BELL-BELL COUPLERS 12" - 60" DIAMETER

PART #	PIPE SIZE	A	B	C	JOINT
1215AA	12 in (300 mm)	14.6 in (371 mm)	14.0 in (356 mm)	15.4 in (391 mm)	ST/WT
1515AA	15 in (375 mm)	17.8 in (451 mm)	16.0 in (406 mm)	18.6 in (472 mm)	ST/WT
1815AA	18 in (450 mm)	21.4 in (544 mm)	18.0 in (457 mm)	22.4 in (569 mm)	ST/WT
2415AA	24 in (600 mm)	28.2 in (716 mm)	14.8 in (376 mm)	29.3 in (743 mm)	ST/WT
3013AN65	30 in (750 mm)	36.0 in (914 mm)	22.6 in (574 mm)	38.5 in (978 mm)	ST/WT
3613AN65	36 in (900 mm)	42.5 in (1080 mm)	22.6 in (574 mm)	45.1 in (1145 mm)	ST/WT
4213AN85	42 in (1050 mm)	48.9 in (1241 mm)	18.0 in (457 mm)	50.4 in (1280 mm)	ST
4213AN65	42 in (1050 mm)	48.9 in (1242 mm)	18.0 in (457 mm)	50.4 in (1280 mm)	WT
4813AN85	48 in (1200 mm)	54.9 in (1393 mm)	18.0 in (457 mm)	57.5 in (1461 mm)	ST
4813AN65	48 in (1200 mm)	54.9 in (1394 mm)	18.0 in (457 mm)	57.5 in (1461 mm)	WT
6013AN85	60 in (1500 mm)	67.3 in (1708 mm)	19.1 in (486 mm)	70.1 in (1780 mm)	ST
6013AN65	60 in (1500 mm)	67.3 in (1708 mm)	19.1 in (486 mm)	70.1 in (1780 mm)	WT



* REQUIRES GASKET TO PROVIDE SPECIFIED JOINT PERFORMANCE

NOTE: ALL FITTINGS DIMENSIONS ARE FOR REFERENCE ONLY

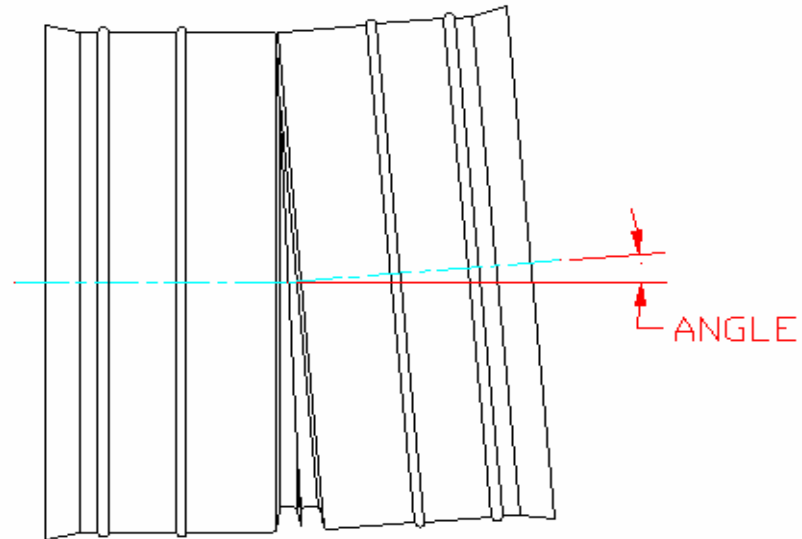


ADVANCED DRAINAGE SYSTEMS, INC.

DRAWING #:	2030	
DRAWN BY:	JCB	10.30.06
APPROVED BY:		
REVISIONS:	TJR	4/15/2009

WT MITERED BELL-BELL COUPLERS
12" - 60" DIAMETER

PART #	PIPE SIZE	ANGLE
1213ANMC03	12 in (300 mm)	3 DEG.
1213ANMC05	12 in (300 mm)	5 DEG.
1513ANMC03	15 in (375 mm)	3 DEG.
1513ANMC05	15 in (375 mm)	5 DEG.
1813ANMC03	18 in (450 mm)	3 DEG.
1813ANMC05	18 in (450 mm)	5 DEG.
2413ANMC03	24 in (600 mm)	3 DEG.
2413ANMC05	24 in (600 mm)	5 DEG.
3013ANMC03	30 in (750 mm)	3 DEG.
3013ANMC05	30 in (750 mm)	5 DEG.
3613ANMC03	36 in (900 mm)	3 DEG.
3613ANMC05	36 in (900 mm)	5 DEG.
4213ANMC03	42 in (1050 mm)	3 DEG.
4213ANMC05	42 in (1050 mm)	5 DEG.
4813ANMC03	48 in (1200 mm)	3 DEG.
4813ANMC05	48 in (1200 mm)	5 DEG.
6013ANMC03	60 in (1500 mm)	3 DEG.
6013ANMC05	60 in (1500 mm)	5 DEG.



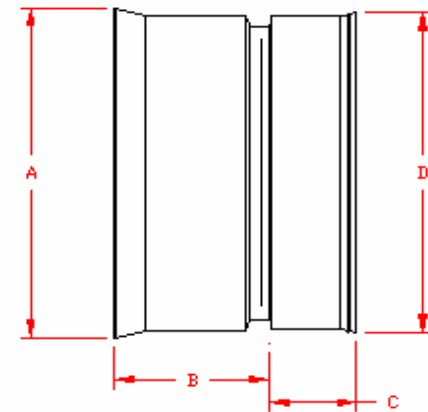
NOTE: ALL FITTINGS DIMENSIONS ARE FOR REFERENCE ONLY



DRAWING #:	2035	
DRAWN BY:	JCB	09.05.06
APPROVED BY:	JCB	06.25.07
REVISIONS:	NJP	06.13.07

ADS-HANCOR BELL-BELL COUPLERS
36" - 60" DIAMETER

PART #	PIPE SIZE	A	B	C	D	JOINT
3613AN00AH	36 in (900 mm)	45.1 in (1146 mm)	15.3 in (389 mm)	11.3 in (287 mm)	45.1 in (1145 mm)	ST/WT
4213AN85AH	42 in (1050 mm)	51.4 in (1306 mm)	15.3 in (389 mm)	11.0 in (279 mm)	51.4 in (1306 mm)	ST
4213AN65AH	42 in (1050 mm)	51.4 in (1306 mm)	15.3 in (389 mm)	11.0 in (279 mm)	51.4 in (1306 mm)	WT
4813AN85AH	48 in (1200 mm)	57.5 in (1461 mm)	15.7 in (398 mm)	11.4 in (289 mm)	57.5 in (1461 mm)	ST
4813AN65AH	48 in (1200 mm)	57.5 in (1461 mm)	15.7 in (398 mm)	11.4 in (289 mm)	57.5 in (1461 mm)	WT
6013AN85AH	60 in (1500 mm)	70.1 in (1781 mm)	19.4 in (494 mm)	11.4 in (289 mm)	70.1 in (1780 mm)	ST
6013AN65AH	60 in (1500 mm)	70.1 in (1781 mm)	19.4 in (494 mm)	11.4 in (289 mm)	70.1 in (1780 mm)	WT



ST & WT (INCLUDES CORRESPONDING GASKETS)

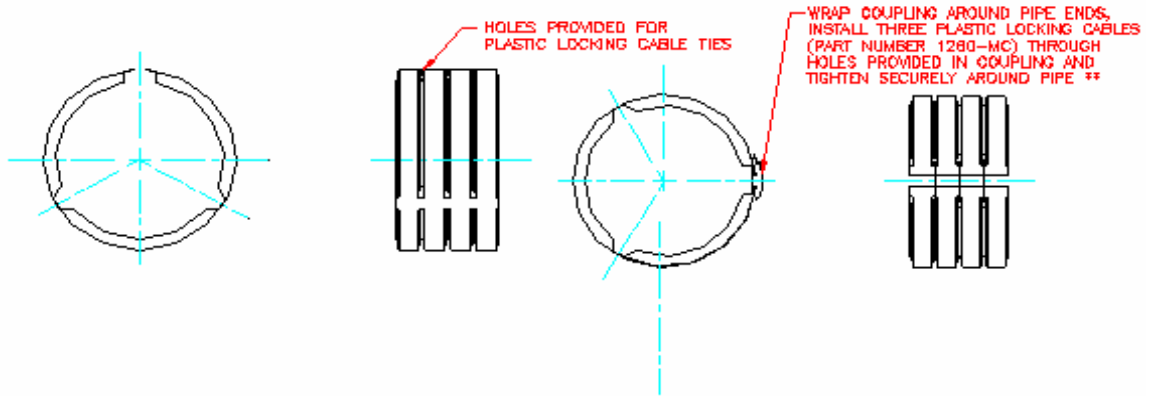
NOTE: ALL FITTINGS DIMENSIONS ARE FOR REFERENCE ONLY




DRAWING #:	2040	
DRAWN BY:	NJP	07.21.06
APPROVED BY:	JCB	06.25.07
REVISIONS:	NJP	06.13.07

ADS-HANCOR HYBRID SPLIT COUPLER
48" DIAMETER

PART #	PIPE SIZE
4865ANAH	48 in (1200 mm)

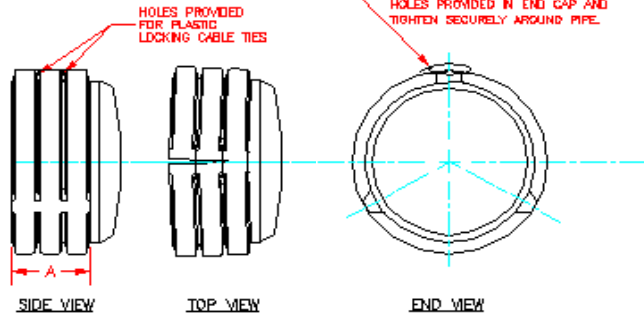


NOTE: ALL FITTINGS DIMENSIONS ARE FOR REFERENCE ONLY

	DRAWING #:	2045	
	DRAWN BY:	NJP	07.21.06
	APPROVED BY:	JCB	06.25.07
	REVISIONS:	NJP	06.13.07

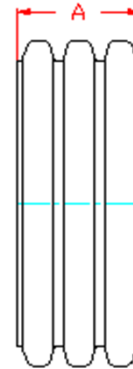
SPLIT END CAPS
8" - 24" DIAMETER

PART #	PIPE SIZE	A
1267AA	12 in (300 mm)	5.8 in (146 mm)
1567AA	15 in (375 mm)	7.8 in (197 mm)
1867AA	18 in (450 mm)	8.0 in (204 mm)
2467AA	24 in (600 mm)	9.5 in (240 mm)



END CAPS
12" - 60" DIAMETER

PART #	PIPE SIZE	A
1201AN	12 in (300 mm)	11.5 in (293 mm)
1501AN	15 in (375 mm)	13.0 in (329 mm)
1801AN	18 in (450 mm)	13.4 in (340 mm)
2101AN	21 in (525 mm)	12.0 in (305 mm)
2401AN	24 in (600 mm)	12.6 in (320 mm)
3001AN	30 in (750 mm)	12.4 in (314 mm)
3601AN	36 in (900 mm)	15.5 in (394 mm)
4201AN	42 in (1050 mm)	15.6 in (395 mm)
4801AN	48 in (1200 mm)	15.8 in (400 mm)
6001AN	60 in (1500 mm)	18.0 in (457 mm)



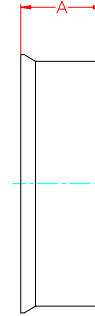
NOTE: ALL FITTINGS DIMENSIONS ARE FOR REFERENCE ONLY



DRAWING #:	2100	
DRAWN BY:	JCB	09.05.06
APPROVED BY:	JCB	06.25.07
REVISIONS:	TJR	4/20/2016

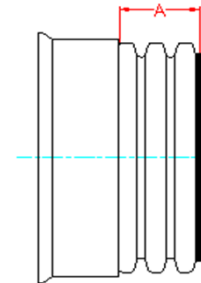
WT END CAPS
12" - 60" DIAMETER

PART #	PIPE SIZE	A
1201AN65B	12 in (300 mm)	6.5 in (5 mm)
1501AN65B	15 in (375 mm)	7.8 in (197 mm)
1801AN65B	18 in (450 mm)	8.9 in (7 mm)
2101AN65B	21 in (525 mm)	10.9 in (7 mm)
2401AN65B	24 in (600 mm)	7.5 in (191 mm)
3001AN65B	30 in (750 mm)	11.8 in (298 mm)



12"-30"
GASKET INCLUDED

PART #	PIPE SIZE	A
3601AN65B	36 in (900 mm)	15.5 in (394 mm)
4201AN65B	42 in (1050 mm)	15.6 in (12 mm)
4801AN65B	48 in (1200 mm)	15.8 in (401 mm)
6001AN65B	60 in (1500 mm)	18.0 in (457 mm)



36"-60"
GASKET INCLUDED

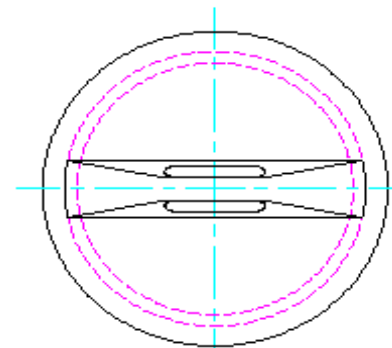
NOTE: ALL FITTINGS DIMENSIONS ARE FOR REFERENCE ONLY



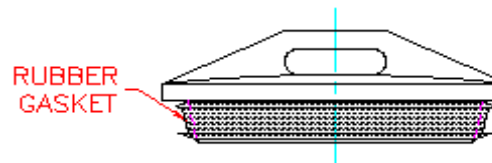
DRAWING #:	2105	
DRAWN BY:	NJP	07.30.06
APPROVED BY:	JCB	06.25.07
REVISIONS:	TJR	4/20/2016

END PLUGS 4" - 60" DIAMETER

PART #	PIPE SIZE
0833AA	8 in (200 mm)
1033AA	10 in (250 mm)
1233AA	12 in (300 mm)
1533AA	15 in (375 mm)
1833AA	18 in (450 mm)
2433AA	24 in (600 mm)
3033AA	30 in (750 mm)
3633AA	36 in (900 mm)
4233AA	42 in (1050 mm)
4833AA	48 in (1200 mm)
6033AA	60 in (1500 mm)



PLAN VIEW



FRONT VIEW

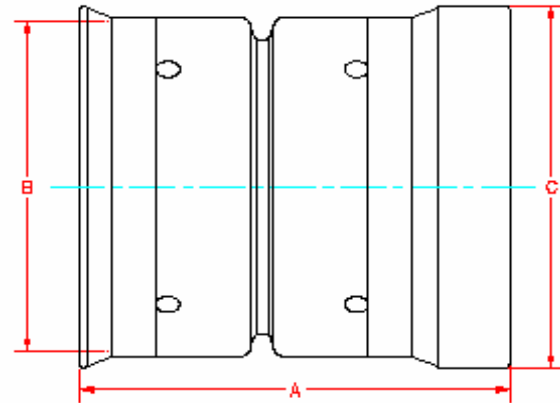
NOTE: ALL FITTINGS DIMENSIONS ARE FOR REFERENCE ONLY



DRAWING #:	2110	
DRAWN BY:	JCB	09.05.06
APPROVED BY:	JCB	06.25.07
REVISIONS:	TJR	3/12/2015

DUAL WALL SNAP END CAP
6" - 10" DIAMETER

PART #	PIPE SIZE	A	B	C
0667AA	6 in (150 mm)	8.6 in (218 mm)	7.0 in (177 mm)	7.6 in (194 mm)
0867AA	8 in (200 mm)	9.6 in (245 mm)	9.2 in (233 mm)	10.1 in (257 mm)
1067AA	10 in (250 mm)	10.8 in (273 mm)	11.6 in (294 mm)	12.1 in (308 mm)



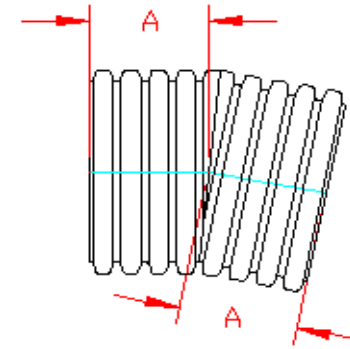
NOTE: ALL FITTINGS DIMENSIONS ARE FOR REFERENCE ONLY



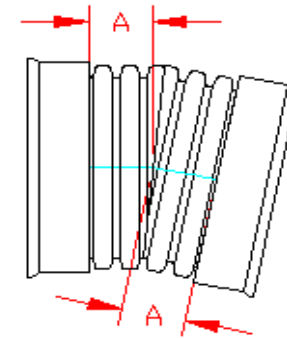
DRAWING #:	2115	
DRAWN BY:	JCB	09.05.06
APPROVED BY:	JCB	06.25.07
REVISIONS:	NJP	06.13.07

**DUAL WALL FABRICATED 11.25° BENDS
4" - 24" DIAMETER**

PART #	PIPE SIZE	A	JOINT
** 0491AN	4 in (100 mm)	4.2 in (107 mm)	*
** 0691AN	6 in (150 mm)	5.0 in (127 mm)	*
** 0891AN	8 in (200 mm)	6.7 in (170 mm)	*
** 1091AN	10 in (250 mm)	7.5 in (191 mm)	*
1291AN	12 in (300 mm)	7.9 in (202 mm)	*
1291AN85B	12 in (300 mm)	4.3 in (108 mm)	ST
1291AN65B	12 in (300 mm)	4.3 in (108 mm)	WT
1591AN	15 in (375 mm)	11.0 in (280 mm)	*
1591AN85B	15 in (375 mm)	6.0 in (152 mm)	ST
1591AN65B	15 in (375 mm)	6.0 in (152 mm)	WT
1891AN	18 in (450 mm)	10.9 in (276 mm)	*
1891AN85B	18 in (450 mm)	5.8 in (148 mm)	ST
1891AN65B	18 in (450 mm)	5.8 in (148 mm)	WT
2491AN	24 in (600 mm)	14.2 in (360 mm)	*
2491AN85B	24 in (600 mm)	7.9 in (202 mm)	ST
2491AN65B	24 in (600 mm)	7.9 in (202 mm)	WT



PLAIN END



ST & WT (INCLUDES 2 GASKETS)

* = PLAIN END
 ST = SOIL TIGHT
 WT = WATER TIGHT
 ** LIMITED AVAILABILITY. PLEASE SEE INJECTION MOLDED FITTING SECTION FOR OTHER AVAILABLE FITTINGS

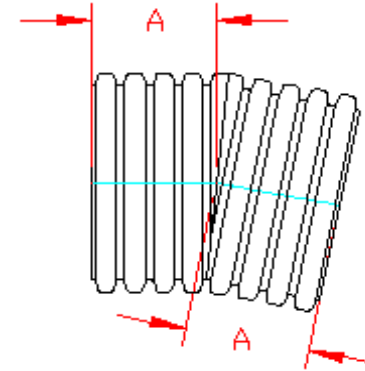
NOTE: ALL FITTINGS DIMENSIONS ARE FOR REFERENCE ONLY



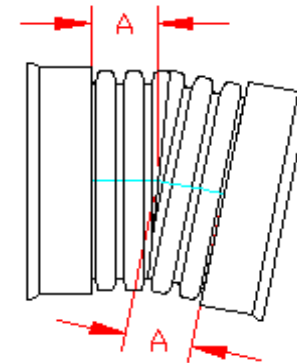
DRAWING #:	2200	
DRAWN BY:	JCB	04.06.06
APPROVED BY:	JCB	06.25.07
REVISIONS:	TJR	2/2/2010

DUAL WALL FABRICATED 11.25° BENDS
30" - 60" DIAMETER

PART #	PIPE SIZE	A	JOINT
3091AN	30 in (750 mm)	17.9 in (455 mm)	*
3091AN	30 in (750 mm)	9.7 in (246 mm)	ST
3091AN	30 in (750 mm)	9.7 in (246 mm)	WT
3691AN	36 in (900 mm)	22.3 in (567 mm)	*
3691AN85B	36 in (900 mm)	12.0 in (306 mm)	ST
3691AN65B	36 in (900 mm)	12.0 in (306 mm)	WT
4291AN	42 in (1050 mm)	17.6 in (448 mm)	*
4291AN85B	42 in (1050 mm)	12.4 in (316 mm)	ST
4291AN65B	42 in (1050 mm)	12.4 in (316 mm)	WT
4891AN	48 in (1200 mm)	18.1 in (461 mm)	*
4891AN85B	48 in (1200 mm)	12.9 in (328 mm)	ST
4891AN65B	48 in (1200 mm)	12.9 in (328 mm)	WT
6091AN	60 in (1500 mm)	21.1 in (536 mm)	*
6091AN85B	60 in (1500 mm)	15.1 in (383 mm)	ST
6091AN65B	60 in (1500 mm)	15.1 in (383 mm)	WT



PLAIN END



ST & WT (INCLUDES 2 GASKETS)

* = PLAIN END
 ST = SOIL TIGHT
 WT = WATER TIGHT

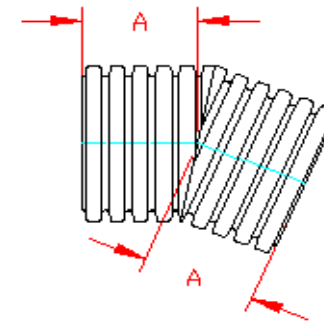
NOTE: ALL FITTINGS DIMENSIONS ARE FOR REFERENCE ONLY



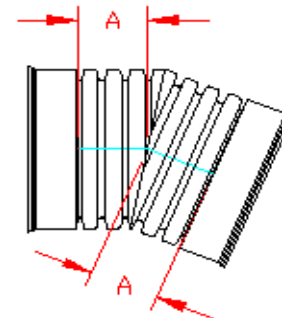
DRAWING #:	2200A	
DRAWN BY:	JCB	04.06.06
APPROVED BY:	JCB	06.25.07
REVISIONS:	TJR	2/2/2010

DUAL WALL FABRICATED 22.5° BENDS
4" - 30" DIAMETER

PART #	PIPE SIZE	A	JOINT
** 0492AN	4 in (100 mm)	4.5 in (114 mm)	*
** 0692AN	6 in (150 mm)	5.4 in (137 mm)	*
** 0892AN	8 in (200 mm)	7.6 in (194 mm)	*
** 1092AN	10 in (250 mm)	7.8 in (197 mm)	*
1292AN	12 in (300 mm)	9.6 in (244 mm)	*
1292AN85B	12 in (300 mm)	5.8 in (146 mm)	ST
1292AN65B	12 in (300 mm)	5.8 in (146 mm)	WT
1592AN	15 in (375 mm)	13.1 in (334 mm)	*
1592AN85B	15 in (375 mm)	5.4 in (137 mm)	ST
1592AN65B	15 in (375 mm)	5.4 in (137 mm)	WT
1892AN	18 in (450 mm)	14.3 in (363 mm)	*
1892AN85B	18 in (450 mm)	6.9 in (174 mm)	ST
1892AN65B	18 in (450 mm)	6.9 in (174 mm)	WT
2492AN	24 in (600 mm)	18.9 in (480 mm)	*
2492AN85B	24 in (600 mm)	9.5 in (240 mm)	ST
2492AN65B	24 in (600 mm)	9.5 in (240 mm)	WT



PLAIN END



ST & WT (INCLUDES 2 GASKETS)

* = PLAIN END

ST = SOIL TIGHT

WT = WATER TIGHT

** LIMITED AVAILABILITY. PLEASE SEE INJECTION MOLDED FITTING SECTION FOR OTHER AVAILABLE FITTINGS

NOTE: ALL FITTINGS DIMENSIONS ARE FOR REFERENCE ONLY



ADVANCED DRAINAGE SYSTEMS, INC.

DRAWING #: 2205

DRAWN BY: JCB 04.06.06

APPROVED BY: JCB 06.25.07

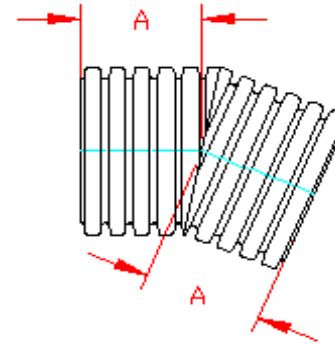
REVISIONS: TJR 1/29/2010

DUAL WALL FABRICATED 22.5° BENDS
30" - 60" DIAMETER

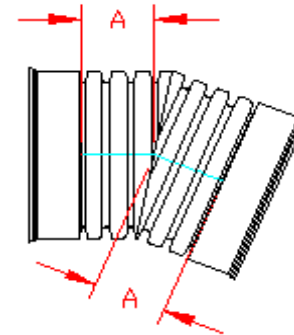
PART #	PIPE SIZE	A	JOINT
3092AN	30 in (750 mm)	17.9 in (455 mm)	*
3092AN85B	30 in (750 mm)	9.7 in (245 mm)	ST
3092AN65B	30 in (750 mm)	9.7 in (245 mm)	WT
3692AN	36 in (900 mm)	21.5 in (546 mm)	*
3692AN85B	36 in (900 mm)	11.2 in (285 mm)	ST
3692AN65B	36 in (900 mm)	11.2 in (285 mm)	WT
4292AN	42 in (1050 mm)	24.9 in (632 mm)	*
4292AN85B	42 in (1050 mm)	14.5 in (369 mm)	ST
4292AN65B	42 in (1050 mm)	14.5 in (369 mm)	WT
4892AN	48 in (1200 mm)	23.8 in (605 mm)	*
4892AN85B	48 in (1200 mm)	13.9 in (353 mm)	ST
4892AN65B	48 in (1200 mm)	13.9 in (353 mm)	WT
6092AN	60 in (1500 mm)	33.2 in (844 mm)	*
6092AN85B	60 in (1500 mm)	15.2 in (387 mm)	ST
6092AN65B	60 in (1500 mm)	15.2 in (387 mm)	WT

* = PLAIN END
ST = SOIL TIGHT
WT = WATER TIGHT

NOTE: ALL FITTINGS DIMENSIONS ARE FOR REFERENCE ONLY



PLAIN END



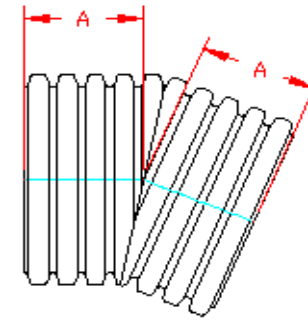
ST & WT (INCLUDES 2 GASKETS)



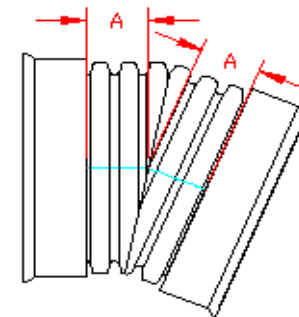
DRAWING #:	2205A	
DRAWN BY:	JCB	04.06.06
APPROVED BY:	JCB	06.25.07
REVISIONS:	TJR	1/29/2010

DUAL WALL FABRICATED 30° BENDS
4" - 24" DIAMETER

PART #	PIPE SIZE	A	JOINT
** 0495AN	4 in (100 mm)	4.6 in (116 mm)	*
** 0695AN	6 in (150 mm)	5.5 in (139 mm)	*
** 0895AN	8 in (200 mm)	7.4 in (189 mm)	*
** 1095AN	10 in (250 mm)	8.4 in (214 mm)	*
1295AN	12 in (300 mm)	9.7 in (245 mm)	*
1295AN85B	12 in (300 mm)	5.8 in (146 mm)	ST
1295AN65B	12 in (300 mm)	5.8 in (146 mm)	WT
1595AN	15 in (375 mm)	12.4 in (315 mm)	*
1595AN85B	15 in (375 mm)	7.8 in (197 mm)	ST
1595AN65B	15 in (375 mm)	7.8 in (197 mm)	WT
1895AN	18 in (450 mm)	12.4 in (316 mm)	*
1895AN85B	18 in (450 mm)	6.7 in (170 mm)	ST
1895AN65B	18 in (450 mm)	6.7 in (170 mm)	WT
2495AN	24 in (600 mm)	15.9 in (404 mm)	*
2495AN85B	24 in (600 mm)	9.5 in (240 mm)	ST
2495AN65B	24 in (600 mm)	9.5 in (240 mm)	WT



PLAIN END



ST & WT (INCLUDES 2 GASKETS)

* = PLAIN END
 ST = SOIL TIGHT
 WT = WATER TIGHT
 ** LIMITED AVAILABILITY. PLEASE SEE INJECTION MOLDED FITTING SECTION FOR OTHER AVAILABLE FITTINGS

NOTE: ALL FITTINGS DIMENSIONS ARE FOR REFERENCE ONLY



ADVANCED DRAINAGE SYSTEMS, INC.

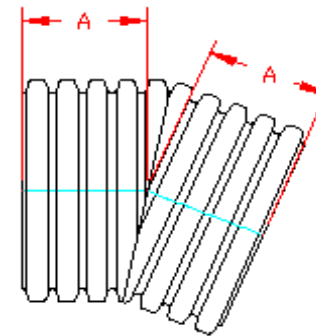
DRAWING #:	2210	
DRAWN BY:	JCB	04.06.06
APPROVED BY:	JCB	06.25.07
REVISIONS:	TJR	1/29/2010

DUAL WALL FABRICATED 30° BENDS
30" - 60" DIAMETER

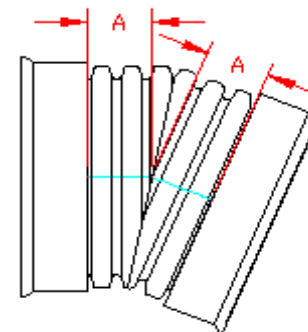
PART #	PIPE SIZE	A	JOINT
3095AN	30 in (750 mm)	20.6 in (523 mm)	*
3095AN85B	30 in (750 mm)	13.5 in (342 mm)	ST
3095AN65B	30 in (750 mm)	13.5 in (342 mm)	WT
3695AN	36 in (900 mm)	25.9 in (658 mm)	*
3695AN85B	36 in (900 mm)	15.4 in (392 mm)	ST
3695AN65B	36 in (900 mm)	15.4 in (392 mm)	WT
4295AN	42 in (1050 mm)	22.3 in (567 mm)	*
4295AN85B	42 in (1050 mm)	17.1 in (435 mm)	ST
4295AN65B	42 in (1050 mm)	17.1 in (435 mm)	WT
4895AN	48 in (1200 mm)	22.7 in (576 mm)	*
4895AN85B	48 in (1200 mm)	17.4 in (442 mm)	ST
4895AN65B	48 in (1200 mm)	17.4 in (442 mm)	WT
6095AN	60 in (1500 mm)	26.0 in (661 mm)	*
6095AN85B	60 in (1500 mm)	20.0 in (508 mm)	ST
6095AN65B	60 in (1500 mm)	20.0 in (508 mm)	WT

* = PLAIN END
ST = SOIL TIGHT
WT = WATER TIGHT

NOTE: ALL FITTINGS DIMENSIONS ARE FOR REFERENCE ONLY



PLAIN END



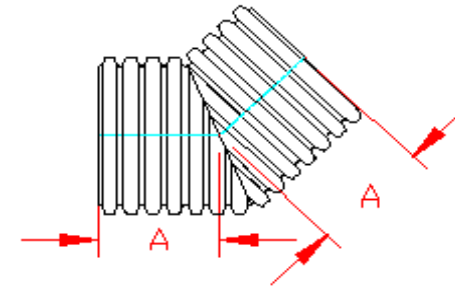
ST & WT (INCLUDES 2 GASKETS)



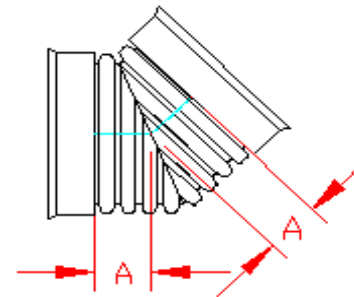
DRAWING #:	2210A	
DRAWN BY:	JCB	04.06.06
APPROVED BY:	JCB	06.25.07
REVISIONS:	TJR	1/29/2010

DUAL WALL FABRICATED 45° BENDS
4" - 30" DIAMETER

PART #	PIPE SIZE	A	JOINT
** 0494AN	4 in (100 mm)	4.2 in (107 mm)	*
** 0694AN	6 in (150 mm)	5.0 in (126 mm)	*
** 0894AN	8 in (200 mm)	6.7 in (170 mm)	*
** 1094AN	10 in (250 mm)	7.5 in (189 mm)	WT
1297AN	12 in (300 mm)	11.5 in (293 mm)	*
1297AN65BB	12 in (300 mm)	5.8 in (146 mm)	WT
1597AN	15 in (375 mm)	13.0 in (329 mm)	*
1597AN65BB	15 in (375 mm)	7.8 in (197 mm)	WT
1897AN	18 in (450 mm)	17.4 in (443 mm)	*
1897AN65BB	18 in (450 mm)	6.7 in (170 mm)	WT
2497AN	24 in (600 mm)	22.1 in (560 mm)	*
2497AN65BB	24 in (600 mm)	9.5 in (240 mm)	WT
3097AN	30 in (750 mm)	25.8 in (656 mm)	*
3097AN65BB	30 in (750 mm)	13.5 in (342 mm)	WT



PLAIN END



ST & WT (INCLUDES 2 GASKETS)

* = PLAIN END

WT = WATER TIGHT

** LIMITED AVAILABILITY. PLEASE SEE INJECTION MOLDED FITTING SECTION FOR OTHER AVAILABLE FITTINGS

NOTE: ALL FITTINGS DIMENSIONS ARE FOR REFERENCE ONLY



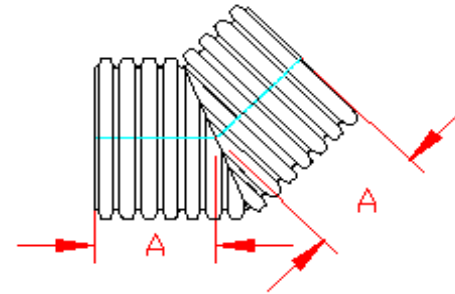
ADVANCED DRAINAGE SYSTEMS, INC.

DRAWING #:	2212	
DRAWN BY:	JCB	04.06.06
APPROVED BY:	JCB	06.25.07
REVISIONS:	TJR	1/29/2010

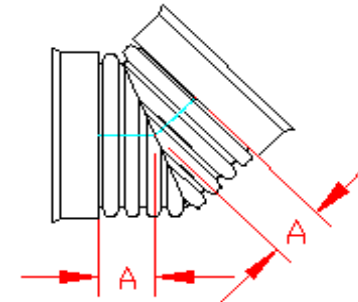
DUAL WALL FABRICATED 45° BENDS
36" - 60" DIAMETER

PART #	PIPE SIZE	A	JOINT
3697AN	36 in (900 mm)	29.3 in (745 mm)	*
3697AN65BB	36 in (900 mm)	13.6 in (345 mm)	WT
4297AN	42 in (1050 mm)	31.1 in (791 mm)	*
4297AN65BB	42 in (1050 mm)	19.2 in (487 mm)	WT
4897AN	48 in (1200 mm)	30.2 in (767 mm)	*
4897AN65BB	48 in (1200 mm)	19.7 in (500 mm)	WT
6097AN	60 in (1500 mm)	42.0 in (1067 mm)	*
6097AN65BB	60 in (1500 mm)	24.0 in (610 mm)	WT

* = PLAIN END
WT = WATER TIGHT



PLAIN END



ST & WT (INCLUDES 2 GASKETS)

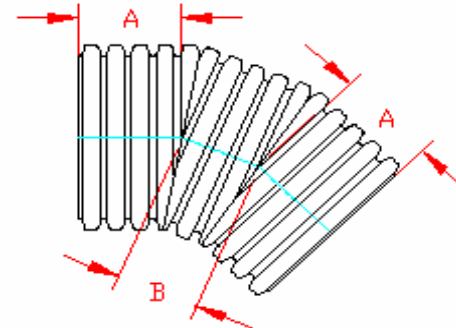
NOTE: ALL FITTINGS DIMENSIONS ARE FOR REFERENCE ONLY



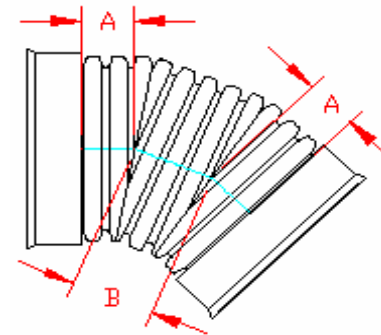
DRAWING #:	2212A	
DRAWN BY:	JCB	04.06.06
APPROVED BY:	JCB	06.25.07
REVISIONS:	TJR	1/29/2010

DUAL WALL FABRICATED MITERED 45° BENDS
12" - 30" DIAMETER

PART #	PIPE SIZE	A	B	JOINT
1294AN	12 in (300 mm)	9.6 in (244 mm)	7.7 in (195 mm)	*
1294AN85B	12 in (300 mm)	5.8 in (146 mm)	7.7 in (195 mm)	ST
1294AN65B	12 in (300 mm)	5.8 in (146 mm)	7.7 in (195 mm)	WT
1594AN	15 in (375 mm)	13.1 in (334 mm)	8.5 in (216 mm)	*
1594AN85B	15 in (375 mm)	5.4 in (137 mm)	8.5 in (216 mm)	ST
1594AN65B	15 in (375 mm)	5.4 in (137 mm)	8.5 in (216 mm)	WT
1894AN	18 in (450 mm)	14.3 in (363 mm)	8.6 in (219 mm)	*
1894AN85B	18 in (450 mm)	6.9 in (174 mm)	8.6 in (219 mm)	ST
1894AN65B	18 in (450 mm)	6.9 in (174 mm)	8.6 in (219 mm)	WT
2494AN	24 in (600 mm)	18.9 in (480 mm)	12.6 in (320 mm)	*
2494AN85B	24 in (600 mm)	9.5 in (240 mm)	12.6 in (320 mm)	ST
2494AN65B	24 in (600 mm)	9.5 in (240 mm)	12.6 in (320 mm)	WT
3094AN	30 in (750 mm)	17.9 in (455 mm)	15.2 in (386 mm)	*
3094AN85B	30 in (750 mm)	9.7 in (245 mm)	15.2 in (386 mm)	ST
3094AN65B	30 in (750 mm)	9.7 in (245 mm)	15.2 in (386 mm)	WT



PLAIN END



ST & WT (INCLUDES 2 GASKETS)

* = PLAIN END
 ST = SOIL TIGHT
 WT = WATER TIGHT

NOTE: ALL FITTINGS DIMENSIONS ARE FOR REFERENCE ONLY



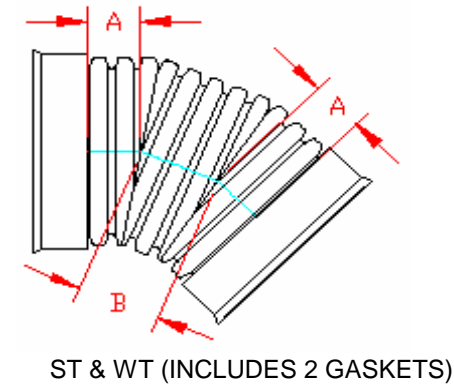
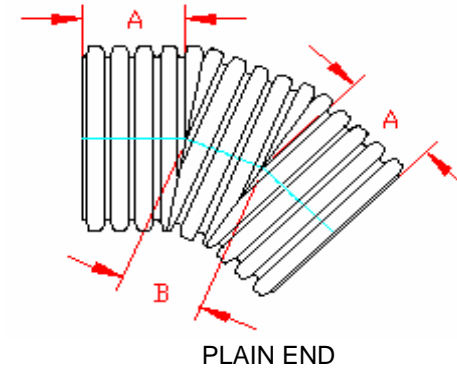
DRAWING #:	2215	
DRAWN BY:	JCB	04.06.06
APPROVED BY:	JCB	06.25.07
REVISIONS:	NJP	06.14.07

DUAL WALL FABRICATED MITERED 45° BENDS
36" - 60" DIAMETER

PART #	PIPE SIZE	A	B	JOINT
3694AN	36 in (900 mm)	21.5 in (546 mm)	17.3 in (439 mm)	*
3694AN85B	36 in (900 mm)	11.2 in (285 mm)	17.3 in (439 mm)	ST
3694AN65B	36 in (900 mm)	11.2 in (285 mm)	17.3 in (439 mm)	WT
4294AN	42 in (1050 mm)	24.9 in (632 mm)	18.7 in (474 mm)	*
4294AN85B	42 in (1050 mm)	14.5 in (369 mm)	18.7 in (474 mm)	ST
4294AN65B	42 in (1050 mm)	14.5 in (369 mm)	18.7 in (474 mm)	WT
4894AN	48 in (1200 mm)	24.4 in (620 mm)	22.6 in (574 mm)	*
4894AN85B	48 in (1200 mm)	13.9 in (353 mm)	22.6 in (574 mm)	ST
4894AN65B	48 in (1200 mm)	13.9 in (353 mm)	22.6 in (574 mm)	WT
6094AN	60 in (1500 mm)	33.2 in (844 mm)	24.5 in (622 mm)	*
6094AN85B	60 in (1500 mm)	15.2 in (387 mm)	24.5 in (622 mm)	ST
6094AN65B	60 in (1500 mm)	15.2 in (387 mm)	24.5 in (622 mm)	WT

* = PLAIN END
 ST = SOIL TIGHT
 WT = WATER TIGHT

NOTE: ALL FITTINGS DIMENSIONS ARE FOR REFERENCE ONLY

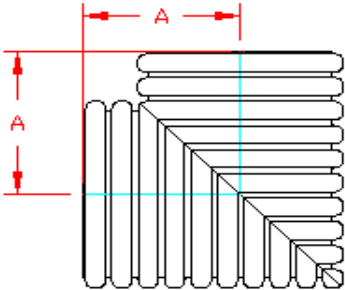


DRAWING #:	2215A	
DRAWN BY:	JCB	04.06.06
APPROVED BY:	JCB	06.25.07
REVISIONS:	NJP	06.14.07

**SMALL DIAMETER DUAL WALL FABRICATED BENDS
4" - 10" DIAMETER**


90° BENDS

PART #	PIPE SIZE	A	JOINT
** 0499AN	4 in (100 mm)	4.5 in (114 mm)	*
** 0699AN	6 in (150 mm)	5.4 in (137 mm)	*
** 0899AN	8 in (200 mm)	7.6 in (194 mm)	*
** 1099AN	10 in (250 mm)	7.8 in (197 mm)	*



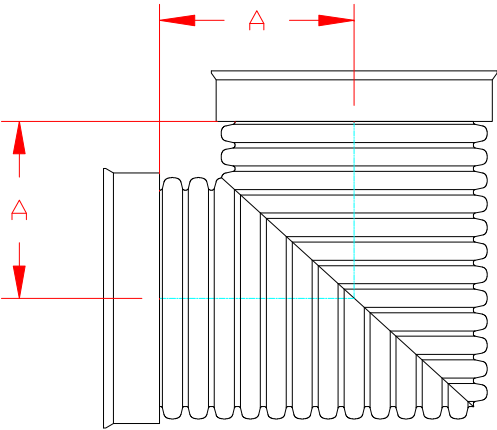
* = PLAIN END
 ** LIMITED AVAILABILITY. PLEASE SEE INJECTION MOLDED FITTING SECTION FOR OTHER AVAILABLE FITTINGS

NOTE: ALL FITTINGS DIMENSIONS ARE FOR REFERENCE ONLY

 ADVANCED DRAINAGE SYSTEMS, INC.	DRAWING #:	2217	
	DRAWN BY:	JCB	05.09.07
	APPROVED BY:	JCB	06.29.07
	REVISIONS:	TJR	2/10/2010


**DUAL WALL FABRICATED "WATER TIGHT" "BELL-BELL" 90° BENDS
12" - 60" DIAMETER**

PART #	PIPE SIZE	A
1298AN65B	12 in (300 mm)	10.8 in (273 mm)
1598AN65B	15 in (375 mm)	11.8 in (300 mm)
1898AN65B	18 in (450 mm)	14.7 in (373 mm)
2498AN65B	24 in (600 mm)	17.7 in (450 mm)
3098AN65B	30 in (750 mm)	22.4 in (570 mm)
3698AN65B	36 in (900 mm)	26.2 in (666 mm)
4298AN65B	42 in (1050 mm)	36.0 in (914 mm)
4898AN65B	48 in (1200 mm)	39.3 in (997 mm)
6098AN65B	60 in (1500 mm)	39.0 in (991 mm)



(INCLUDES 2 GASKETS)

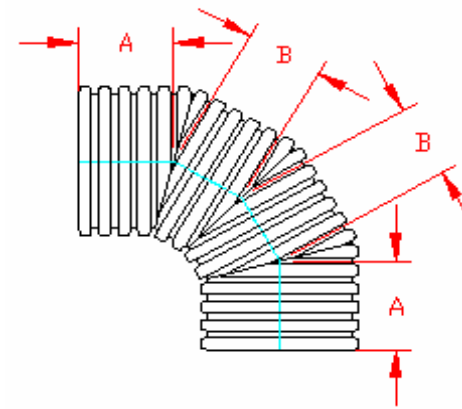
NOTE: ALL FITTINGS DIMENSIONS ARE FOR REFERENCE ONLY

	DRAWING #:	2218	
	DRAWN BY:	TJR	11.14.13
	APPROVED BY:	CKM	11.14.13
	REVISIONS:	TJR	2/21/2014

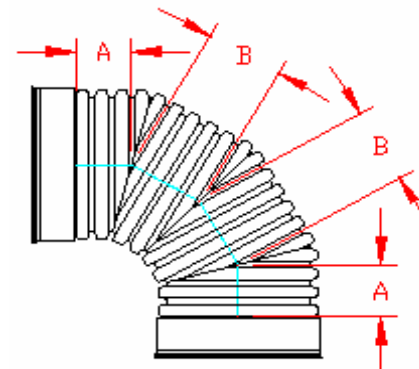
DUAL WALL FABRICATED MITERED 90° BENDS
12" - 18" DIAMETER

PART #	PIPE SIZE	A	B	JOINT
1299AN	12 in (300 mm)	9.4 in (239 mm)	7.8 in (198 mm)	*
1299AN85B	12 in (300 mm)	5.5 in (140 mm)	7.8 in (198 mm)	ST
1299AN65B	12 in (300 mm)	5.5 in (140 mm)	7.8 in (198 mm)	WT
1599AN	15 in (375 mm)	12.1 in (307 mm)	9.3 in (236 mm)	*
1599AN85B	15 in (375 mm)	6.9 in (175 mm)	9.3 in (236 mm)	ST
1599AN65B	15 in (375 mm)	6.9 in (175 mm)	9.3 in (236 mm)	WT
1899AN	18 in (450 mm)	12.2 in (310 mm)	10.0 in (254 mm)	*
1899AN85B	18 in (450 mm)	7.1 in (180 mm)	10.0 in (254 mm)	ST
1899AN65B	18 in (450 mm)	7.1 in (180 mm)	10.0 in (254 mm)	WT

* = PLAIN END
 ST = SOIL TIGHT
 WT = WATER TIGHT



PLAIN END



ST & WT (INCLUDES 2 GASKETS)

NOTE: ALL FITTINGS DIMENSIONS ARE FOR REFERENCE ONLY



DRAWING #:	2220	
DRAWN BY:	JCB	04.06.06
APPROVED BY:	JCB	06.25.07
REVISIONS:	NJP	06.14.07

DUAL WALL FABRICATED STANDARD WYES 4" - 18" DIAMETER

PART #	PIPE SIZE	A	B	C	JOINT
** 0480AN	4 in (100 mm)	15.1 in (383 mm)	9.8 in (250 mm)	9.8 in (250 mm)	*
** 0681AN	6 in (150 mm)	19.4 in (491 mm)	13.2 in (334 mm)	13.2 in (334 mm)	*
** 0882AN	8 in (200 mm)	26.9 in (683 mm)	18.2 in (463 mm)	18.2 in (463 mm)	*
** 1083AN	10 in (250 mm)	32.8 in (832 mm)	22.7 in (576 mm)	22.7 in (576 mm)	*
1284AN	12 in (300 mm)	38.4 in (975 mm)	25.8 in (654 mm)	25.8 in (654 mm)	*
1284AN85B	12 in (300 mm)	25.8 in (654 mm)	20.2 in (514 mm)	20.2 in (514 mm)	ST
1284AN65B	12 in (300 mm)	25.8 in (654 mm)	20.2 in (514 mm)	20.2 in (514 mm)	WT
1585AN	15 in (375 mm)	45.5 in (1157 mm)	35.4 in (899 mm)	30.3 in (770 mm)	*
1585AN85B	15 in (375 mm)	33.0 in (839 mm)	25.3 in (642 mm)	25.4 in (645 mm)	ST
1585AN65B	15 in (375 mm)	33.0 in (839 mm)	25.3 in (642 mm)	25.4 in (645 mm)	WT
1886AN	18 in (450 mm)	53.2 in (1350 mm)	40.5 in (1028 mm)	40.5 in (1028 mm)	*
1886AN85B	18 in (450 mm)	38.0 in (964 mm)	30.1 in (765 mm)	30.4 in (771 mm)	ST
1886AN65B	18 in (450 mm)	38.0 in (964 mm)	30.1 in (765 mm)	30.4 in (771 mm)	WT

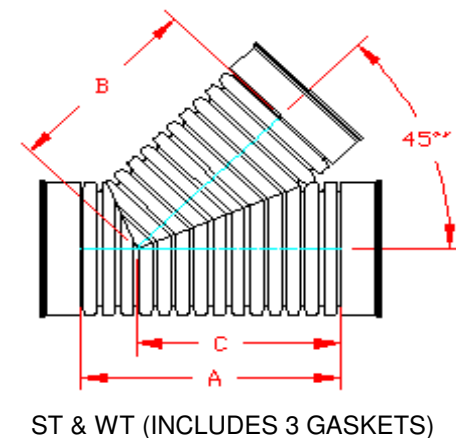
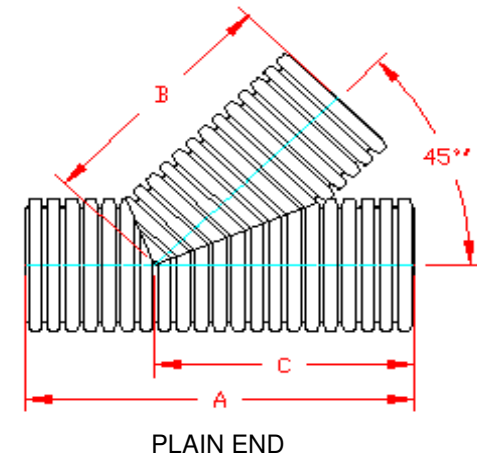
* = PLAIN END

ST = SOIL TIGHT

WT = WATER TIGHT

** LIMITED AVAILABILITY. PLEASE SEE INJECTION MOLDED FITTING SECTION FOR OTHER AVAILABLE FITTINGS

NOTE: ALL FITTINGS DIMENSIONS ARE FOR REFERENCE ONLY

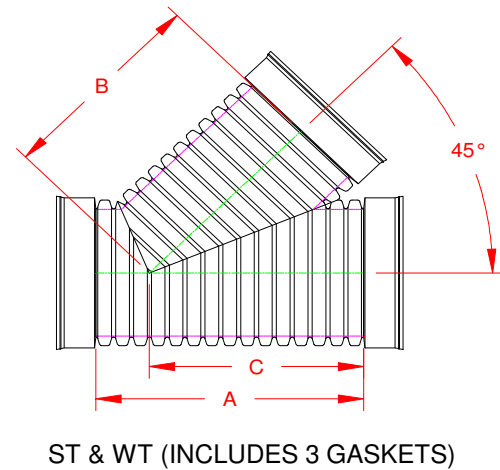
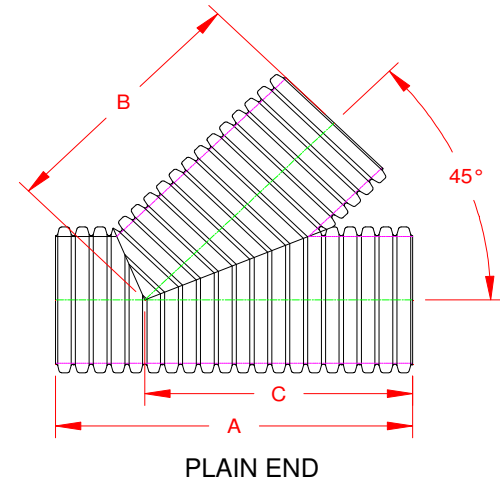


DRAWING #:	2300	
DRAWN BY:	NJP	07.30.06
APPROVED BY:	JCB	06.26.07
REVISIONS:	NJP	06.14.07

**DUAL WALL FABRICATED STANDARD WYES
21" - 24" DIAMETER**

PART #	PIPE SIZE	A	B	C	JOINT
2187AN	21 in (525 mm)	57.0 in (1448 mm)	42.0 in (1067 mm)	42.0 in (1067 mm)	*
2187AN85B	21 in (525 mm)	47.0 in (1193 mm)	35.5 in (901 mm)	35.5 in (35 mm)	ST
2187AN65B	21 in (525 mm)	47.0 in (1193 mm)	35.5 in (901 mm)	35.5 in (901 mm)	WT
2487AN	24 in (600 mm)	63.6 in (1615 mm)	47.7 in (1212 mm)	47.7 in (1212 mm)	*
2487AN85B	24 in (600 mm)	47.7 in (1212 mm)	38.2 in (969 mm)	38.2 in (969 mm)	ST
2487AN65B	24 in (600 mm)	47.7 in (1212 mm)	38.2 in (969 mm)	38.2 in (969 mm)	WT

* = PLAIN END
ST = SOIL TIGHT
WT = WATER TIGHT



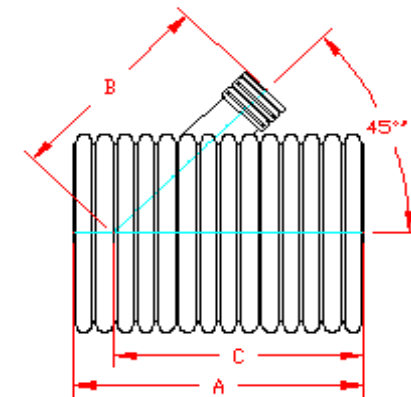
NOTE: ALL FITTINGS DIMENSIONS ARE FOR REFERENCE ONLY



DRAWING #:	2300A	
DRAWN BY:	JCB	04.25.07
APPROVED BY:	JCB	06.26.07
REVISIONS:	TJR	5/3/2016

DUAL WALL FABRICATED REDUCING WYES
6" x 4" - 10" x 8" DIAMETER

PART #	PIPE SIZE	A	B	C	JOINT
** 0680AN	6 x 4 in (150 x 100 mm)	16.3 in (413 mm)	16.0 in (405 mm)	11.6 in (295 mm)	*
** 0880AN	8 x 4 in (200 x 100 mm)	18.2 in (463 mm)	17.3 in (439 mm)	14.0 in (356 mm)	ST
** 0881AN	8 x 6 in (200 x 150 mm)	23.0 in (585 mm)	19.7 in (499 mm)	15.9 in (405 mm)	WT
** 1080AN	10 x 4 in (250 x 100 mm)	22.7 in (576 mm)	18.7 in (475 mm)	17.3 in (439 mm)	*
** 1081AN	10 x 6 in (250 x 150 mm)	23.9 in (608 mm)	21.1 in (535 mm)	17.5 in (444 mm)	ST
** 1082AN	10 x 8 in (250 x 200 mm)	27.7 in (704 mm)	23.4 in (594 mm)	19.5 in (496 mm)	WT



PLAIN END

* = PLAIN END
 ST = SOIL TIGHT
 WT = WATER TIGHT

** LIMITED AVAILABILITY. PLEASE SEE INJECTION MOLDED FITTING SECTION FOR OTHER AVAILABLE FITTINGS

NOTE: ALL FITTINGS DIMENSIONS ARE FOR REFERENCE ONLY

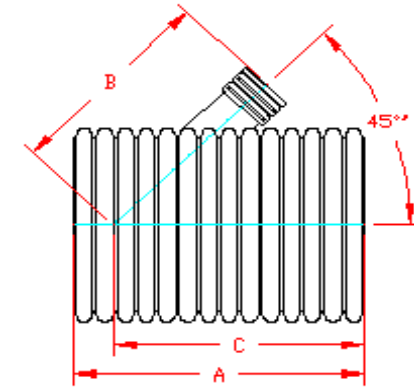


DRAWING #:	2305	
DRAWN BY:	JCB	06.14.06
APPROVED BY:	JCB	06.26.07
REVISIONS:	TJR	2/2/2010

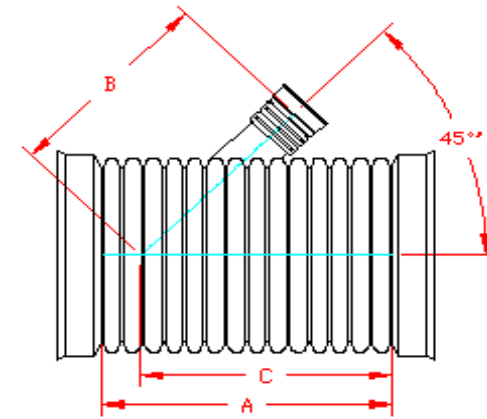
DUAL WALL FABRICATED REDUCING WYES 12"x4" - 12"x10" DIAMETER

PART #	PIPE SIZE	A	B	C	JOINT
1280AN	12 x 4 in (300 x 100 mm)	28.5 in (724 mm)	19.7 in (500 mm)	23.0 in (585 mm)	*
1280AN85B	12 x 4 in (300 x 100 mm)	23.3 in (592 mm)	19.7 in (500 mm)	20.4 in (519 mm)	ST
1280AN65B	12 x 4 in (300 x 100 mm)	23.3 in (592 mm)	19.7 in (500 mm)	20.4 in (519 mm)	WT
1281AN	12 x 6 in (300 x 150 mm)	31.1 in (789 mm)	21.2 in (538 mm)	24.3 in (618 mm)	*
1281AN85B	12 x 6 in (300 x 150 mm)	25.9 in (658 mm)	21.2 in (538 mm)	21.7 in (552 mm)	ST
1281AN65B	12 x 6 in (300 x 150 mm)	25.9 in (658 mm)	21.2 in (538 mm)	21.7 in (552 mm)	WT
1282AN	12 x 8 in (300 x 200 mm)	33.7 in (855 mm)	22.6 in (574 mm)	25.6 in (651 mm)	*
1282AN85B	12 x 8 in (300 x 200 mm)	28.5 in (724 mm)	22.6 in (574 mm)	23.0 in (585 mm)	ST
1282AN65B	12 x 8 in (300 x 200 mm)	28.5 in (724 mm)	22.6 in (574 mm)	23.0 in (585 mm)	WT
1283AN	12 x 10 in (300 x 250 mm)	38.9 in (987 mm)	25.2 in (640 mm)	28.2 in (717 mm)	*
1283AN85B	12 x 10 in (300 x 250 mm)	33.7 in (855 mm)	25.2 in (640 mm)	25.6 in (651 mm)	ST
1283AN65B	12 x 10 in (300 x 250 mm)	33.7 in (855 mm)	25.2 in (640 mm)	25.6 in (651 mm)	WT

* = PLAIN END
ST = SOIL TIGHT
WT = WATER TIGHT



PLAIN END



ST & WT (INCLUDES 3 GASKETS)

NOTE: ALL FITTINGS DIMENSIONS ARE FOR REFERENCE ONLY



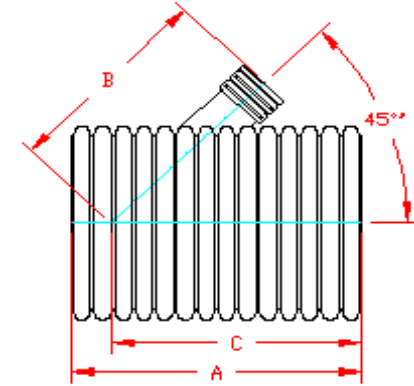
DRAWING #:	2310	
DRAWN BY:	JCB	06.14.06
APPROVED BY:	JCB	06.26.07
REVISIONS:	TJR	05.30.08

DUAL WALL FABRICATED REDUCING WYES
15"x4" - 15"x12" DIAMETER

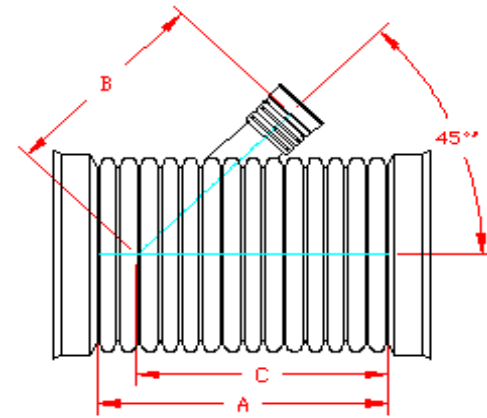
PART #	PIPE SIZE	A	B	C	JOINT
1580AN	15 x 4 in (375 x 100 mm)	28.9 in (734 mm)	20.8 in (528 mm)	23.0 in (585 mm)	*
1580AN85B	15 x 4 in (375 x 100 mm)	23.6 in (599 mm)	20.8 in (528 mm)	20.4 in (519 mm)	ST
1580AN65B	15 x 4 in (375 x 100 mm)	23.6 in (599 mm)	20.8 in (528 mm)	20.4 in (519 mm)	WT
1581AN	15 x 6 in (375 x 150 mm)	31.5 in (800 mm)	22.4 in (569 mm)	24.3 in (618 mm)	*
1581AN85B	15 x 6 in (375 x 150 mm)	26.3 in (668 mm)	22.4 in (569 mm)	21.7 in (552 mm)	ST
1581AN65B	15 x 6 in (375 x 150 mm)	26.3 in (668 mm)	22.4 in (569 mm)	21.7 in (552 mm)	WT
1582AN	15 x 8 in (375 x 200 mm)	34.2 in (869 mm)	24.5 in (622 mm)	25.6 in (651 mm)	*
1582AN85B	15 x 8 in (375 x 200 mm)	28.9 in (734 mm)	24.5 in (622 mm)	23.0 in (585 mm)	ST
1582AN65B	15 x 8 in (375 x 200 mm)	28.9 in (734 mm)	24.5 in (622 mm)	23.0 in (585 mm)	WT
1583AN	15 x 10 in (375 x 250 mm)	39.4 in (1001 mm)	26.1 in (663 mm)	28.2 in (717 mm)	*
1583AN85B	15 x 10 in (375 x 250 mm)	34.1 in (866 mm)	26.1 in (663 mm)	25.6 in (651 mm)	ST
1583AN65B	15 x 10 in (375 x 250 mm)	34.1 in (866 mm)	26.1 in (663 mm)	25.6 in (651 mm)	WT
1584AN	15 x 12 in (375 x 300 mm)	42.0 in (1067 mm)	29.7 in (754 mm)	29.5 in (749 mm)	*
1584AN85B	15 x 12 in (375 x 300 mm)	36.8 in (935 mm)	27.8 in (706 mm)	26.9 in (684 mm)	ST
1584AN65B	15 x 12 in (375 x 300 mm)	36.8 in (935 mm)	27.8 in (706 mm)	26.9 in (684 mm)	WT

* = PLAIN END
 ST = SOIL TIGHT
 WT = WATER TIGHT

NOTE: ALL FITTINGS DIMENSIONS ARE FOR REFERENCE ONLY



PLAIN END



ST & WT (INCLUDES 3 GASKETS)

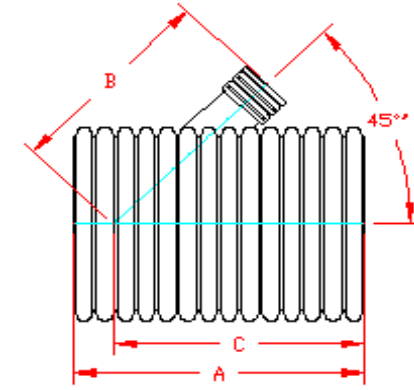


DRAWING #:	2315	
DRAWN BY:	JCB	06.14.06
APPROVED BY:	JCB	06.26.07
REVISIONS:	TJR	05.30.08

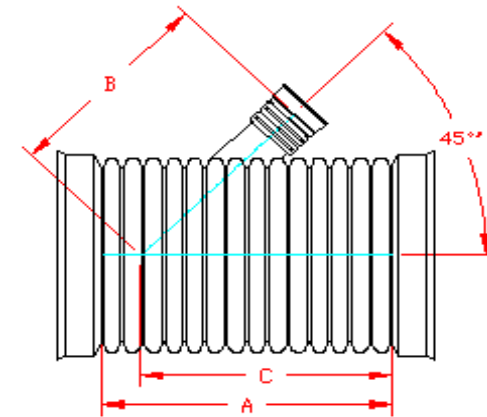
DUAL WALL FABRICATED REDUCING WYES 18"x4" - 18"x10" DIAMETER

PART #	PIPE SIZE	A	B	C	JOINT
1880AN	18 x 4 in (450 x 100 mm)	28.7 in (729 mm)	23.0 in (584 mm)	25.3 in (644 mm)	*
1880AN85B	18 x 4 in (450 x 100 mm)	24.1 in (613 mm)	23.0 in (584 mm)	22.7 in (576 mm)	ST
1880AN65B	18 x 4 in (450 x 100 mm)	24.1 in (613 mm)	23.0 in (584 mm)	22.7 in (576 mm)	WT
1881AN	18 x 6 in (450 x 150 mm)	31.3 in (796 mm)	25.1 in (638 mm)	26.7 in (678 mm)	*
1881AN85B	18 x 6 in (450 x 150 mm)	26.8 in (681 mm)	25.1 in (638 mm)	24.0 in (610 mm)	ST
1881AN65B	18 x 6 in (450 x 150 mm)	26.8 in (681 mm)	25.1 in (638 mm)	24.0 in (610 mm)	WT
1882AN	18 x 8 in (450 x 200 mm)	33.9 in (862 mm)	27.2 in (691 mm)	28.0 in (712 mm)	*
1882AN85B	18 x 8 in (450 x 200 mm)	28.7 in (729 mm)	27.2 in (691 mm)	25.3 in (644 mm)	ST
1882AN65B	18 x 8 in (450 x 200 mm)	28.7 in (729 mm)	27.2 in (691 mm)	25.3 in (644 mm)	WT
1883AN	18 x 10 in (450 x 250 mm)	36.6 in (928 mm)	28.7 in (729 mm)	29.4 in (746 mm)	*
1883AN85B	18 x 10 in (450 x 250 mm)	31.3 in (796 mm)	28.7 in (729 mm)	26.7 in (678 mm)	ST
1883AN65B	18 x 10 in (450 x 250 mm)	31.3 in (796 mm)	28.7 in (729 mm)	26.7 in (678 mm)	WT

* = PLAIN END
ST = SOIL TIGHT
WT = WATER TIGHT



PLAIN END



ST & WT (INCLUDES 3 GASKETS)

NOTE: ALL FITTINGS DIMENSIONS ARE FOR REFERENCE ONLY



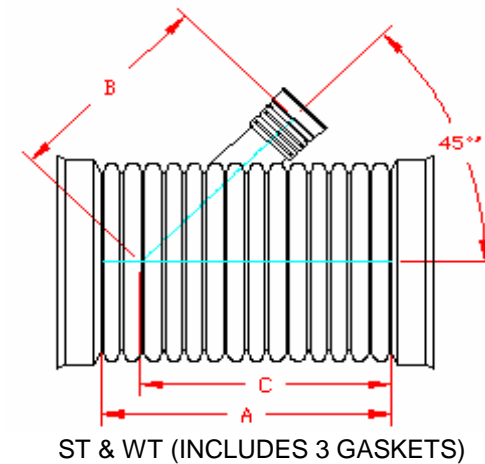
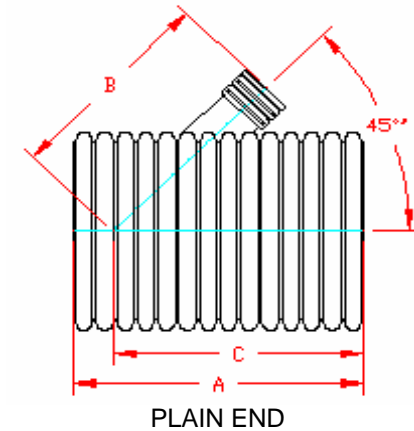
ADVANCED DRAINAGE SYSTEMS, INC.

DRAWING #:	2320	
DRAWN BY:	JCB	06.14.06
APPROVED BY:	JCB	06.26.07
REVISIONS:	TJR	05.30.08

DUAL WALL FABRICATED REDUCING WYES 18"x12" - 18"x15" DIAMETER

PART #	PIPE SIZE	A	B	C	JOINT
1884AN	18 x 12 in (450 x 300 mm)	41.8 in (1062 mm)	32.3 in (820 mm)	32.0 in (814 mm)	*
1884AN85B	18 x 12 in (450 x 300 mm)	36.5 in (927 mm)	30.4 in (771 mm)	29.4 in (746 mm)	ST
1884AN65B	18 x 12 in (450 x 300 mm)	36.5 in (927 mm)	30.3 in (771 mm)	29.4 in (746 mm)	WT
1885AN	18 x 15 in (450 x 375 mm)	47.0 in (1194 mm)	38.3 in (973 mm)	34.7 in (882 mm)	*
188AN85B	18 x 15 in (450 x 1375mm)	41.8 in (1062 mm)	35.7 in (907 mm)	32.0 in (814 mm)	ST
1885AN65B	18 x 15 in (450 x 375 mm)	41.8 in (1062 mm)	35.7 in (907 mm)	32.0 in (814 mm)	WT

* = PLAIN END
ST = SOIL TIGHT
WT = WATER TIGHT



NOTE: ALL FITTINGS DIMENSIONS ARE FOR REFERENCE ONLY



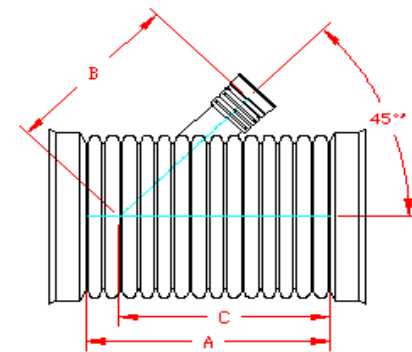
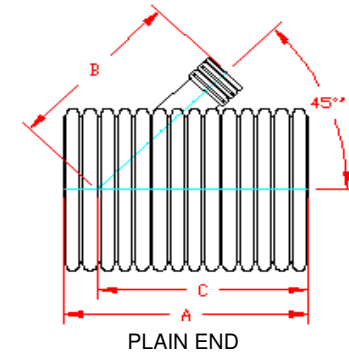
DRAWING #:	2320A	
DRAWN BY:	JCB	06.14.06
APPROVED BY:	JCB	06.26.07
REVISIONS:	NJP	06.14.07

DUAL WALL FABRICATED REDUCING WYES
24"x4" - 24"x18" DIAMETER

PART #	PIPE SIZE	A	B	C	JOINT
2480AN	24 x 4 in (600 x 100 mm)	34.4 in (874 mm)	27.7 in (704 mm)	31.2 in (793 mm)	*
2480AN85B	24 x 4 in (600 x 100 mm)	28.2 in (716 mm)	27.7 in (704 mm)	28.1 in (713 mm)	ST
2480AN65B	24 x 4 in (600 x 100 mm)	28.2 in (716 mm)	27.7 in (704 mm)	28.1 in (713 mm)	WT
2481AN	24 x 6 in (600 x 150 mm)	37.6 in (955 mm)	29.3 in (744 mm)	32.8 in (833 mm)	*
2481AN85B	24 x 6 in (600 x 150 mm)	31.3 in (795 mm)	29.3 in (744 mm)	29.7 in (753 mm)	ST
2481AN65B	24 x 6 in (600 x 150 mm)	31.3 in (795 mm)	29.3 in (744 mm)	29.7 in (753 mm)	WT
2482AN	24 x 8 in (600 x 200 mm)	40.7 in (1034 mm)	32.5 in (826 mm)	34.4 in (873 mm)	*
2482AN85B	24 x 8 in (600 x 200 mm)	34.4 in (874 mm)	32.5 in (826 mm)	31.2 in (793 mm)	ST
2482AN65B	24 x 8 in (600 x 200 mm)	34.4 in (874 mm)	32.5 in (826 mm)	31.2 in (793 mm)	WT
2483AN	24 x 10 in (600 x 250 mm)	46.9 in (1191 mm)	33.0 in (838 mm)	36.0 in (913 mm)	*
2483AN85B	24 x 10 in (600 x 250 mm)	36.6 in (930 mm)	33.0 in (838 mm)	32.8 in (833 mm)	ST
2483AN65B	24 x 10 in (600 x 250 mm)	36.6 in (930 mm)	33.0 in (838 mm)	32.8 in (833 mm)	WT
2484AN	24 x 12 in (600 x 300 mm)	46.9 in (1191 mm)	36.9 in (938 mm)	37.5 in (953 mm)	*
2484AN85B	24 x 12 in (600 x 300 mm)	40.7 in (1034 mm)	35.0 in (889 mm)	34.4 in (873 mm)	ST
2484AN65B	24 x 12 in (600 x 300 mm)	40.7 in (1034 mm)	35.0 in (889 mm)	34.4 in (873 mm)	WT
2485AN	24 x 15 in (600 x 375 mm)	47.0 in (1193 mm)	42.5 in (1080 mm)	37.5 in (953 mm)	*
2485AN85B	24 x 15 in (600 x 375 mm)	40.7 in (1034 mm)	42.5 in (1080 mm)	34.4 in (874 mm)	ST
2485AN65B	24 x 15 in (600 x 375 mm)	40.7 in (1033 mm)	52.5 in (1334 mm)	34.4 in (874 mm)	WT
2486AN	24 x 18 in (600 x 450 mm)	53.2 in (1352 mm)	44.6 in (1133 mm)	40.6 in (1032 mm)	*
2486AN85B	24 x 18 in (600 x 450 mm)	40.7 in (1034 mm)	44.6 in (1133 mm)	33.2 in (844 mm)	ST
2486AN65B	24 x 18 in (600 x 450 mm)	40.7 in (1034 mm)	44.6 in (1133 mm)	33.2 in (844 mm)	WT

* = PLAIN END
ST = SOIL TIGHT
WT = WATER TIGHT

NOTE: ALL FITTINGS DIMENSIONS ARE FOR REFERENCE ONLY



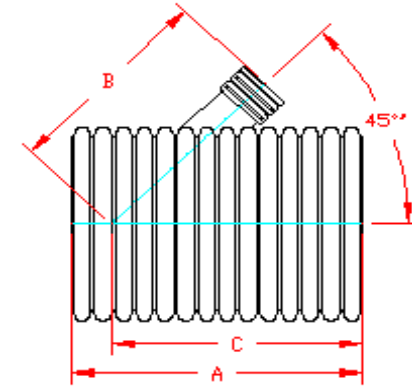
DRAWING #:	2325	
DRAWN BY:	JCB	06.14.06
APPROVED BY:	JCB	06.26.07
REVISIONS:	TJR	2/8/2010

DUAL WALL FABRICATED REDUCING WYES 30"x4" - 30"x10" DIAMETER

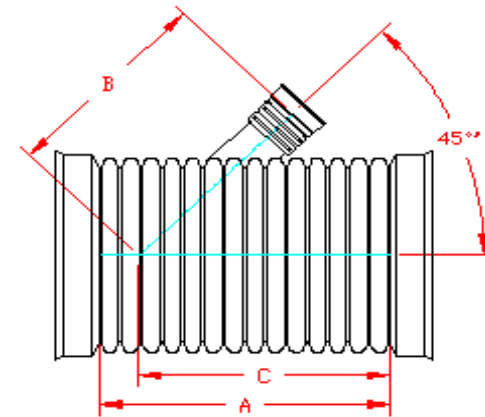
PART #	PIPE SIZE	A	B	C	JOINT
3080AN	30 x 4 in (750 x 100 mm)	41.2 in (1046 mm)	32.9 in (836 mm)	38.2 in (969 mm)	*
3080AN85B	30 x 4 in (750 x 100 mm)	33.0 in (837 mm)	32.9 in (836 mm)	34.0 in (864 mm)	ST
3080AN65B	30 x 4 in (750 x 100 mm)	33.0 in (837 mm)	32.9 in (836 mm)	34.0 in (864 mm)	WT
3081AN	30 x 6 in (750 x 150 mm)	45.3 in (1151 mm)	35.0 in (889 mm)	40.2 in (1021 mm)	*
3081AN85B	30 x 6 in (750 x 150 mm)	37.1 in (942 mm)	35.0 in (889 mm)	36.1 in (917 mm)	ST
3081AN65B	30 x 6 in (750 x 150 mm)	37.1 in (942 mm)	35.0 in (889 mm)	36.1 in (917 mm)	WT
3082AN	30 x 8 in (750 x 200 mm)	49.4 in (1256 mm)	37.1 in (942 mm)	42.3 in (1074 mm)	*
3082AN85B	30 x 8 in (750 x 200 mm)	41.2 in (1046 mm)	37.1 in (942 mm)	38.2 in (969 mm)	ST
3082AN65B	30 x 8 in (750 x 200 mm)	41.2 in (1046 mm)	37.1 in (942 mm)	38.2 in (969 mm)	WT
3083AN	30 x 10 in (750 x 250 mm)	49.4 in (1256 mm)	38.6 in (980 mm)	42.3 in (1074 mm)	*
3083AN85B	30 x 10 in (750 x 250 mm)	41.2 in (1046 mm)	38.6 in (980 mm)	38.2 in (969 mm)	ST
3083AN65B	30 x 10 in (750 x 250 mm)	41.2 in (1046 mm)	38.6 in (980 mm)	38.2 in (969 mm)	WT

* = PLAIN END
ST = SOIL TIGHT
WT = WATER TIGHT

NOTE: ALL FITTINGS DIMENSIONS ARE FOR REFERENCE ONLY



PLAIN END



ST & WT (INCLUDES 3 GASKETS)

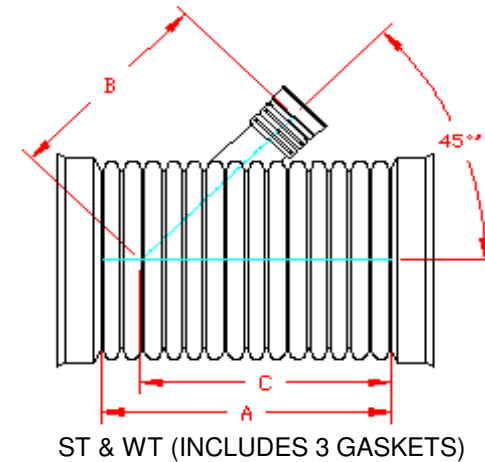
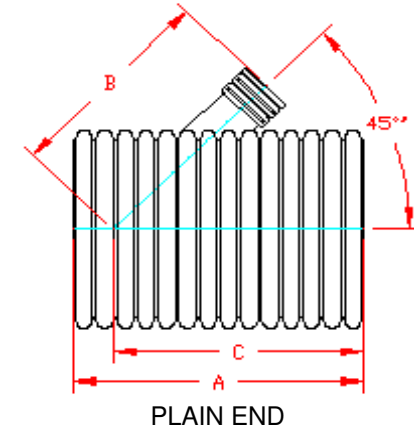


DRAWING #:	2330	
DRAWN BY:	JCB	06.14.06
APPROVED BY:	JCB	06.26.07
REVISIONS:	TJR	05.30.08

DUAL WALL FABRICATED REDUCING WYES 30"×12" - 30"×15" DIAMETER

PART #	PIPE SIZE	A	B	C	JOINT
3084AN	30 x 12 in (750 x 300 mm)	53.6 in (1360 mm)	42.1 in (1069 mm)	44.3 in (1126 mm)	*
3084AN85B	30 x 12 in (750 x 300 mm)	45.3 in (1151 mm)	40.2 in (1020 mm)	40.2 in (1021 mm)	ST
3084AN65B	30 x 12 in (750 x 300 mm)	45.3 in (1151 mm)	40.2 in (1020 mm)	40.2 in (1021 mm)	WT
3085AN	30 x 15 in (750 x 375 mm)	61.8 in (1570 mm)	48.1 in (1222 mm)	48.5 in (1231 mm)	*
3085AN85B	30 x 15 in (750 x 375mm)	53.6 in (1360 mm)	45.5 in (1156 mm)	44.3 in (1126 mm)	ST
3085AN65B	30 x 15 in (750 x 375 mm)	53.6 in (1360 mm)	45.5 in (1156 mm)	44.3 in (1126 mm)	WT

* = PLAIN END
ST = SOIL TIGHT
WT = WATER TIGHT



NOTE: ALL FITTINGS DIMENSIONS ARE FOR REFERENCE ONLY



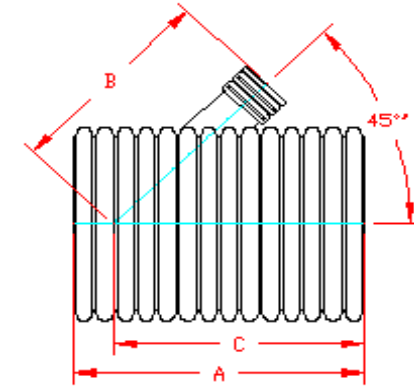
DRAWING #:	2330A	
DRAWN BY:	JCB	06.14.06
APPROVED BY:	JCB	06.26.07
REVISIONS:	NJP	06.14.07

DUAL WALL FABRICATED REDUCING WYES 36"x4" - 36"x10" DIAMETER

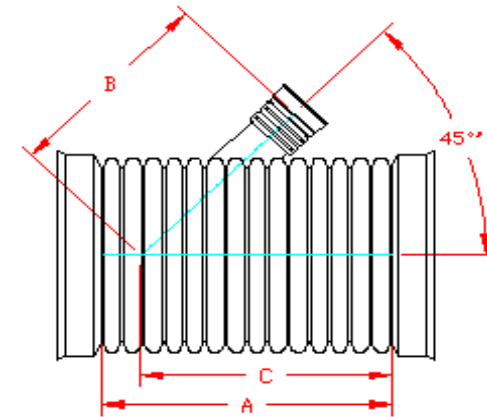
PART #	PIPE SIZE	A	B	C	JOINT
3680AN	36 x 4 in (900 x 100 mm)	51.4 in (1306 mm)	37.6 in (955 mm)	47.1 in (1196 mm)	*
3680AN85B	36 x 4 in (900 x 100 mm)	41.1 in (1044 mm)	37.6 in (955 mm)	41.9 in (1063 mm)	ST
3680AN65B	36 x 4 in (900 x 100 mm)	41.1 in (1044 mm)	37.6 in (955 mm)	41.9 in (1063 mm)	WT
3681AN	36 x 6 in (900 x 150 mm)	51.4 in (1306 mm)	39.2 in (996 mm)	47.1 in (1196 mm)	*
3681AN85B	36 x 6 in (900 x 150 mm)	41.1 in (1044 mm)	39.2 in (996 mm)	41.9 in (1063 mm)	ST
3681AN65B	36 x 6 in (900 x 150 mm)	41.1 in (1044 mm)	39.2 in (996 mm)	41.9 in (1063 mm)	WT
3682AN	36 x 8 in (900 x 200 mm)	56.6 in (1438 mm)	41.3 in (1049 mm)	49.7 in (1263 mm)	*
3682AN85B	36 x 8 in (900 x 200 mm)	46.3 in (1176 mm)	41.3 in (1049 mm)	44.5 in (1130 mm)	ST
3682AN65B	36 x 8 in (900 x 200 mm)	46.3 in (1176 mm)	41.3 in (1049 mm)	44.5 in (1130 mm)	WT
3683AN	36 x 10 in (900 x 250 mm)	61.7 in (1567 mm)	42.8 in (1087 mm)	52.4 in (1330 mm)	*
3683AN85B	36 x 10 in (900 x 250 mm)	51.4 in (1306 mm)	42.8 in (1087 mm)	47.1 in (1196 mm)	ST
3683AN65B	36 x 10 in (900 x 250 mm)	51.4 in (1306 mm)	42.8 in (1087 mm)	47.1 in (1196 mm)	WT

* = PLAIN END
ST = SOIL TIGHT
WT = WATER TIGHT

NOTE: ALL FITTINGS DIMENSIONS ARE FOR REFERENCE ONLY



PLAIN END



ST & WT (INCLUDES 3 GASKETS)

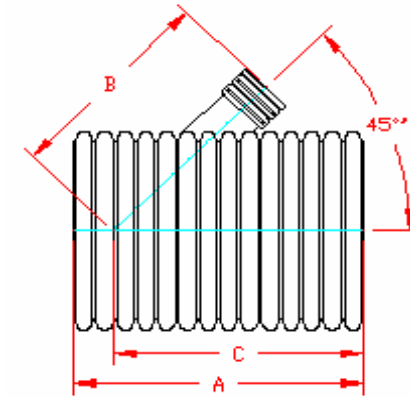


DRAWING #:	2335	
DRAWN BY:	JCB	06.14.06
APPROVED BY:	JCB	06.26.07
REVISIONS:	TJR	05.30.08

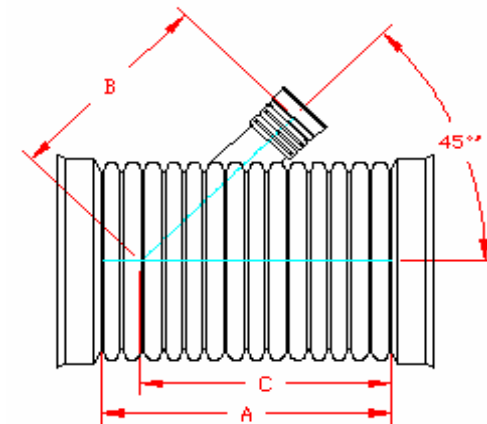
DUAL WALL FABRICATED REDUCING WYES 36"x12" - 36"x18" DIAMETER

PART #	PIPE SIZE	A	B	C	JOINT
3684AN	36 x 12 in (900 x 300 mm)	61.7 in (1567 mm)	46.8 in (1188 mm)	52.4 in (1330 mm)	*
3684AN85B	36 x 12 in (900 x 300 mm)	51.4 in (1306 mm)	44.8 in (1139 mm)	47.1 in (1196 mm)	ST
3684AN65B	36 x 12 in (900 x 300 mm)	51.4 in (1306 mm)	44.8 in (1139 mm)	47.1 in (1196 mm)	WT
3685AN	36 x 15 in (900 x 375 mm)	66.8 in (1697 mm)	52.8 in (1341 mm)	55.0 in (1396 mm)	*
3685AN85B	36 x 15 in (900 x 375 mm)	56.8 in (1443 mm)	50.2 in (1275 mm)	49.7 in (1263 mm)	ST
3685AN65B	36 x 15 in (900 x 375 mm)	56.8 in (1443 mm)	50.2 in (1275 mm)	49.7 in (1263 mm)	WT
3686AN	36 x 18 in (900 x 450 mm)	72.0 in (1829 mm)	53.6 in (1361 mm)	57.6 in (1463 mm)	*
3686AN85B	36 x 18 in (900 x 450 mm)	61.7 in (1567 mm)	50.9 in (1293 mm)	52.4 in (1330 mm)	ST
3686AN65B	36 x 18 in (900 x 450 mm)	61.7 in (1567 mm)	50.9 in (1293 mm)	52.4 in (1330 mm)	WT

* = PLAIN END
ST = SOIL TIGHT
WT = WATER TIGHT



PLAIN END



ST & WT (INCLUDES 3 GASKETS)

NOTE: ALL FITTINGS DIMENSIONS ARE FOR REFERENCE ONLY

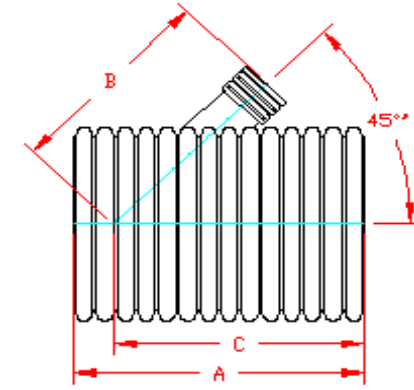


DRAWING #:	2335A	
DRAWN BY:	JCB	06.14.06
APPROVED BY:	JCB	06.26.07
REVISIONS:	NJP	06.14.07

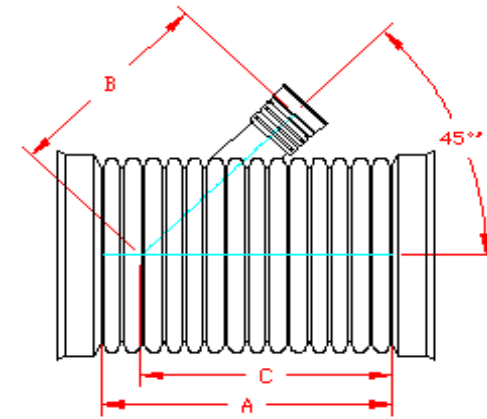
DUAL WALL FABRICATED REDUCING WYES 42"x4" - 42"x10" DIAMETER

PART #	PIPE SIZE	A	B	C	JOINT
4280AN	42 x 4 in (1050 x 100 mm)	51.4 in (1306 mm)	41.9 in (1064 mm)	49.8 in (1265 mm)	*
4280AN85B	42 x 4 in (1050 x 100 mm)	41.1 in (1044 mm)	41.9 in (1064 mm)	44.6 in (1133 mm)	ST
4280AN65B	42 x 4 in (1050 x 100 mm)	41.1 in (1044 mm)	41.9 in (1064 mm)	44.6 in (1133 mm)	WT
4281AN	42 x 6 in (1050 x 150 mm)	51.4 in (1306 mm)	44.0 in (1118 mm)	49.8 in (1265 mm)	*
4281AN85B	42 x 6 in (1050 x 150 mm)	41.1 in (1044 mm)	44.0 in (1118 mm)	44.6 in (1133 mm)	ST
4281AN65B	42 x 6 in (1050 x 150 mm)	41.1 in (1044 mm)	44.0 in (1118 mm)	44.6 in (1133 mm)	WT
4282AN	42 x 8 in (1050 x 200 mm)	56.5 in (1435 mm)	45.7 in (1161 mm)	52.4 in (1331 mm)	*
4282AN85B	42 x 8 in (1050 x 200 mm)	46.3 in (1176 mm)	45.7 in (1161 mm)	47.2 in (1199 mm)	ST
4282AN65B	42 x 8 in (1050 x 200 mm)	46.3 in (1176 mm)	45.7 in (1161 mm)	47.2 in (1199 mm)	WT
4283AN	42 x 10 in (1050 x 250 mm)	61.7 in (1567 mm)	47.6 in (1209 mm)	55.0 in (1397 mm)	*
4283AN85B	42 x 10 in (1050 x 250 mm)	51.4 in (1306 mm)	47.6 in (1209 mm)	49.8 in (1265 mm)	ST
4283AN65B	42 x 10 in (1050 x 250 mm)	51.4 in (1306 mm)	47.6 in (1209 mm)	49.8 in (1265 mm)	WT

* = PLAIN END
ST = SOIL TIGHT
WT = WATER TIGHT



PLAIN END



ST & WT (INCLUDES 3 GASKETS)

NOTE: ALL FITTINGS DIMENSIONS ARE FOR REFERENCE ONLY

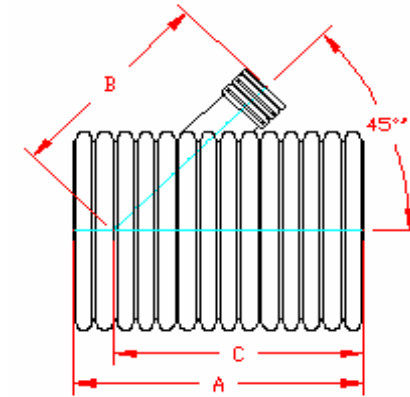


DRAWING #:	2340	
DRAWN BY:	JCB	06.14.06
APPROVED BY:	JCB	06.26.07
REVISIONS:	TJR	05.30.08

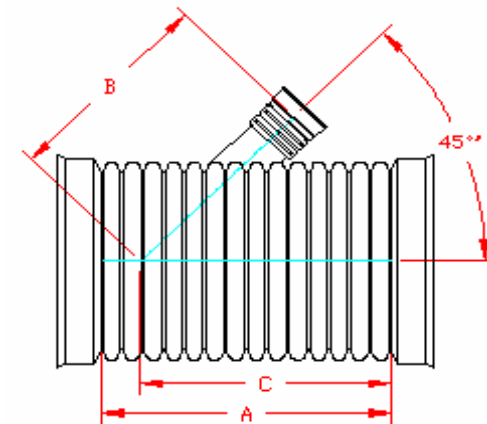
DUAL WALL FABRICATED REDUCING WYES 42"x12" - 42"x18" DIAMETER

PART #	PIPE SIZE	A	B	C	JOINT
4284AN	42 x 12 in (1050 x 300 mm)	61.7 in (1567 mm)	51.0 in (1295 mm)	55.0 in (1397 mm)	*
4284AN85B	42 x 12 in (1050 x 300 mm)	51.4 in (1306 mm)	49.1 in (1247 mm)	49.8 in (1265 mm)	ST
4284AN65B	42 x 12 in (1050 x 300 mm)	51.4 in (1306 mm)	49.1 in (1247 mm)	49.8 in (1265 mm)	WT
4285AN	42 x 15 in (1050 x 375 mm)	66.8 in (1697 mm)	57.0 in (1449 mm)	57.6 in (1463 mm)	*
4285AN85B	42 x 15 in (1050 x 375mm)	56.5 in (1435 mm)	54.4 in (1383 mm)	52.4 in (1331 mm)	ST
4285AN65B	42 x 15 in (1050 x 375 mm)	56.5 in (1435 mm)	54.4 in (1383 mm)	52.4 in (1331 mm)	WT
4286AN	42 x 18 in (1050 x 450 mm)	71.9 in (1826 mm)	57.8 in (1469 mm)	60.2 in (1529 mm)	*
4286AN85B	42 x 18 in (1050 x 450mm)	61.7 in (1567 mm)	55.2 in (1401 mm)	55.0 in (1397 mm)	ST
4286AN65B	42 x 18 in (1050 x 450 mm)	61.7 in (1567 mm)	55.2 in (1401 mm)	55.0 in (1397 mm)	WT

* = PLAIN END
ST = SOIL TIGHT
WT = WATER TIGHT



PLAIN END



ST & WT (INCLUDES 3 GASKETS)

NOTE: ALL FITTINGS DIMENSIONS ARE FOR REFERENCE ONLY



ADVANCED DRAINAGE SYSTEMS, INC.

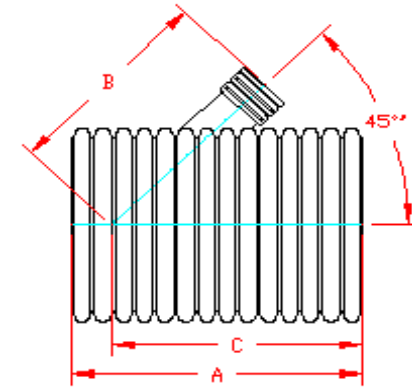
DRAWING #:	2340A	
DRAWN BY:	JCB	06.14.06
APPROVED BY:	JCB	06.26.07
REVISIONS:	NJP	06.14.07

DUAL WALL FABRICATED REDUCING WYES 48"x4" - 48"x10" DIAMETER

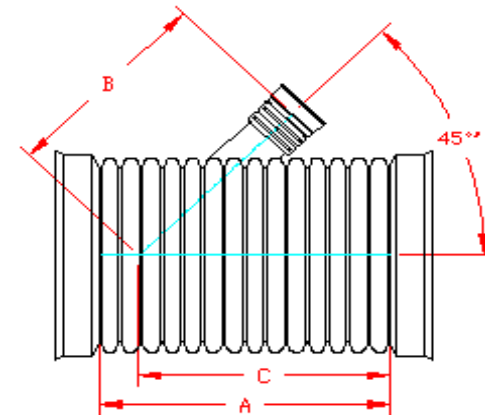
PART #	PIPE SIZE	A	B	C	JOINT
4880AN	48 x 4 in (1200 x 100 mm)	52.3 in (1328 mm)	46.3 in (1176 mm)	53.1 in (1347 mm)	*
4880AN85B	48 x 4 in (1200 x 100 mm)	41.9 in (1064 mm)	46.3 in (1176 mm)	47.8 in (1214 mm)	ST
4880AN65B	48 x 4 in (1200 x 100 mm)	41.9 in (1064 mm)	46.3 in (1176 mm)	47.8 in (1214 mm)	WT
4881AN	48 x 6 in (1200 x 150 mm)	52.3 in (1328 mm)	47.9 in (1217 mm)	53.1 in (1347 mm)	*
4881AN85B	48 x 6 in (1200 x 150 mm)	41.9 in (1064 mm)	47.9 in (1217 mm)	47.8 in (1214 mm)	ST
4881AN65B	48 x 6 in (1200 x 150 mm)	41.9 in (1064 mm)	47.9 in (1217 mm)	47.8 in (1214 mm)	WT
4882AN	48 x 8 in (1200 x 200 mm)	57.6 in (1463 mm)	50.0 in (1270 mm)	55.7 in (1414 mm)	*
4882AN85B	48 x 8 in (1200 x 200 mm)	47.1 in (1196 mm)	50.0 in (1270 mm)	50.4 in (1281 mm)	ST
4882AN65B	48 x 8 in (1200 x 200 mm)	47.1 in (1196 mm)	50.0 in (1270 mm)	50.4 in (1281 mm)	WT
4883AN	48 x 10 in (1200 x 250 mm)	62.8 in (1595 mm)	52.0 in (1321 mm)	58.3 in (1481 mm)	*
4883AN85B	48 x 10 in (1200 x 250 mm)	52.3 in (1328 mm)	52.0 in (1321 mm)	53.1 in (1347 mm)	ST
4883AN65B	48 x 10 in (1200 x 250 mm)	52.3 in (1328 mm)	52.0 in (1321 mm)	53.1 in (1347 mm)	WT

* = PLAIN END
ST = SOIL TIGHT
WT = WATER TIGHT

NOTE: ALL FITTINGS DIMENSIONS ARE FOR REFERENCE ONLY



PLAIN END



ST & WT (INCLUDES 3 GASKETS)



ADVANCED DRAINAGE SYSTEMS, INC.

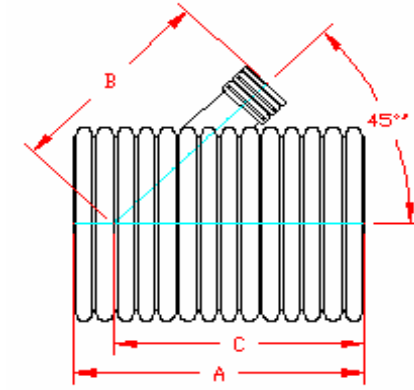
DRAWING #:	2345	
DRAWN BY:	JCB	06.14.06
APPROVED BY:	JCB	06.26.07
REVISIONS:	TJR	05.30.08

DUAL WALL FABRICATED REDUCING WYES 48"x12" - 48"x24" DIAMETER

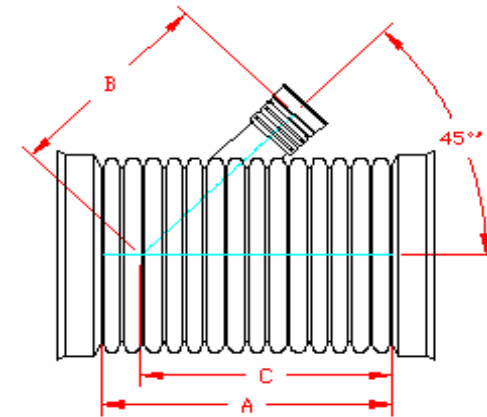
PART #	PIPE SIZE	A	B	C	JOINT
4884AN	48 x 12 in (1200 x 300 mm)	62.8 in (1595 mm)	55.2 in (1402 mm)	58.3 in (1481 mm)	*
4884AN85B	48 x 12 in (1200 x 300 mm)	52.3 in (1328 mm)	53.3 in (1353 mm)	53.1 in (1347 mm)	ST
4884AN65B	48 x 12 in (1200 x 300 mm)	52.3 in (1328 mm)	53.3 in (1353 mm)	53.1 in (1347 mm)	WT
4885AN	48 x 15 in (1200 x 375 mm)	68.0 in (1727 mm)	61.2 in (1555 mm)	60.9 in (1547 mm)	*
4885AN85B	48 x 15 in (1200 x 375mm)	57.6 in (1463 mm)	58.6 in (1489 mm)	55.7 in (1414 mm)	ST
4885AN65B	48 x 15 in (1200 x 375 mm)	57.6 in (1463 mm)	58.6 in (1489 mm)	55.7 in (1414 mm)	WT
4886AN	48 x 18 in (1200 x 450 mm)	73.3 in (1862 mm)	62.0 in (1575 mm)	63.6 in (1614 mm)	*
4886AN85B	48 x 18 in (1200 x 450mm)	62.8 in (1595 mm)	59.3 in (1507 mm)	58.3 in (1481 mm)	ST
4886AN65B	48 x 18 in (1200 x 450 mm)	62.8 in (1595 mm)	59.3 in (1507 mm)	58.3 in (1481 mm)	WT
4887AN	48 x 24 in (1200 x 600 mm)	83.7 in (2126 mm)	66.3 in (1683 mm)	68.8 in (1748 mm)	*
4887AN85B	48 x 24 in (1200 x 600mm)	73.3 in (1862 mm)	63.1 in (1603 mm)	63.6 in (1614 mm)	ST
4887AN65B	48 x 24 in (1200 x 600 mm)	73.3 in (1862 mm)	63.1 in (1603 mm)	63.6 in (1614 mm)	WT

* = PLAIN END
ST = SOIL TIGHT
WT = WATER TIGHT

NOTE: ALL FITTINGS DIMENSIONS ARE FOR REFERENCE ONLY



PLAIN END



ST & WT (INCLUDES 3 GASKETS)



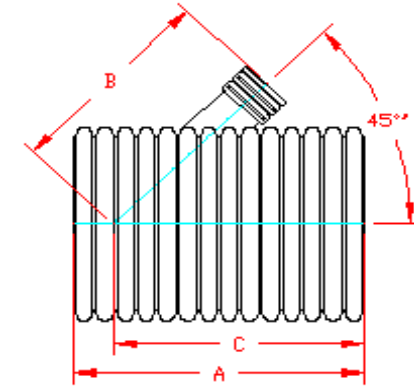
DRAWING #:	2345A	
DRAWN BY:	JCB	06.14.06
APPROVED BY:	JCB	06.26.07
REVISIONS:	NJP	06.14.07

DUAL WALL FABRICATED REDUCING WYES 60"x4" - 60"x10" DIAMETER

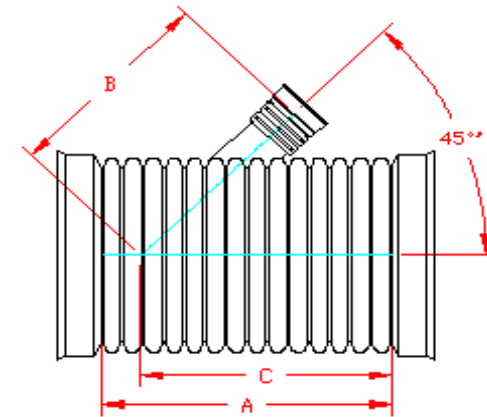
PART #	PIPE SIZE	A	B	C	JOINT
6080AN	60 x 4 in (1500 x 100 mm)	60.0 in (1524 mm)	55.2 in (1402 mm)	63.2 in (1604 mm)	*
6080AN85B	60 x 4 in (1500 x 100 mm)	48.0 in (1219 mm)	55.2 in (1402 mm)	57.2 in (1452 mm)	ST
6080AN65B	60 x 4 in (1500 x 100 mm)	48.0 in (1219 mm)	55.2 in (1402 mm)	57.2 in (1452 mm)	WT
6081AN	60 x 6 in (1500 x 150 mm)	60.0 in (1524 mm)	56.8 in (1443 mm)	63.2 in (1604 mm)	*
6081AN85B	60 x 6 in (1500 x 150 mm)	48.0 in (1219 mm)	56.8 in (1443 mm)	57.2 in (1452 mm)	ST
6081AN65B	60 x 6 in (1500 x 150 mm)	48.0 in (1219 mm)	56.8 in (1443 mm)	57.2 in (1452 mm)	WT
6082AN	60 x 8 in (1500 x 200 mm)	66.0 in (1676 mm)	59.0 in (1499 mm)	66.2 in (1680 mm)	*
6082AN85B	60 x 8 in (1500 x 200 mm)	54.0 in (1372 mm)	59.0 in (1499 mm)	60.2 in (1528 mm)	ST
6082AN65B	60 x 8 in (1500 x 200 mm)	54.0 in (1372 mm)	59.0 in (1499 mm)	60.2 in (1528 mm)	WT
6083AN	60 x 10 in (1500 x 250 mm)	66.0 in (1676 mm)	60.9 in (1547 mm)	66.2 in (1680 mm)	*
6083AN85B	60 x 10 in (1500 x 250 mm)	54.0 in (1372 mm)	60.9 in (1547 mm)	60.2 in (1528 mm)	ST
6083AN65B	60 x 10 in (1500 x 250 mm)	54.0 in (1372 mm)	60.9 in (1547 mm)	60.2 in (1528 mm)	WT

* = PLAIN END
ST = SOIL TIGHT
WT = WATER TIGHT

NOTE: ALL FITTINGS DIMENSIONS ARE FOR REFERENCE ONLY



PLAIN END



ST & WT (INCLUDES 3 GASKETS)



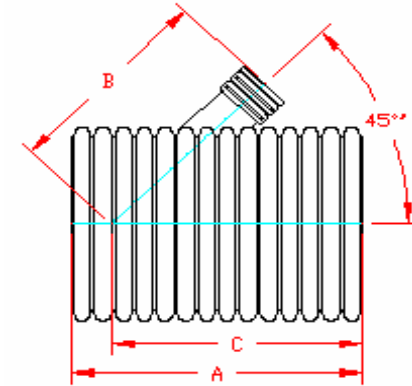
DRAWING #:	2350	
DRAWN BY:	JCB	06.14.06
APPROVED BY:	JCB	06.26.07
REVISIONS:	TJR	05.30.08

DUAL WALL FABRICATED REDUCING WYES 60"x12" - 60"x24" DIAMETER

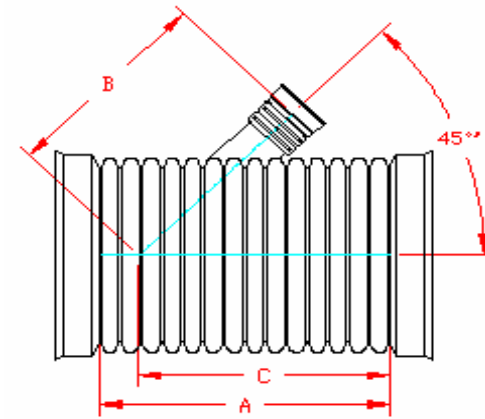
PART #	PIPE SIZE	A	B	C	JOINT
6084AN	60 x 12 in (1500 x 300 mm)	72.0 in (1829 mm)	64.2 in (1630 mm)	69.2 in (1756 mm)	*
6084AN85B	60 x 12 in (1500 x 300 mm)	60.0 in (1524 mm)	62.2 in (1581 mm)	63.2 in (1604 mm)	ST
6084AN65B	60 x 12 in (1500 x 300 mm)	60.0 in (1524 mm)	62.2 in (1581 mm)	63.2 in (1604 mm)	WT
6085AN	60 x 15 in (1500 x 375 mm)	78.0 in (1981 mm)	70.2 in (1783 mm)	72.2 in (1833 mm)	*
6085AN85B	60 x 15 in (1500 x 375mm)	66.0 in (1676 mm)	67.6 in (1717 mm)	66.2 in (1680 mm)	ST
6085AN65	60 x 15 in (1500 x 375 mm)	66.0 in (1676 mm)	67.6 in (1717 mm)	66.2 in (1680 mm)	WT
6086AN	60 x 18 in (1500 x 450 mm)	78.0 in (1981 mm)	71.0 in (1803 mm)	72.2 in (1833 mm)	*
6086AN85B	60 x 18 in (1500 x 450mm)	66.0 in (1676 mm)	68.3 in (1735 mm)	66.2 in (1680 mm)	ST
6086AN65B	60 x 18 in (1500 x 450 mm)	66.0 in (1676 mm)	68.3 in (1735 mm)	66.2 in (1680 mm)	WT
6087AN	60 x 24 in (1500 x 600 mm)	90.0 in (2286 mm)	75.2 in (1911 mm)	78.2 in (1985 mm)	*
6087AN85B	60 x 24 in (1500 x 600mm)	78.0 in (1981 mm)	72.1 in (1831 mm)	72.2 in (1833 mm)	ST
6087AN65B	60 x 24 in (1500 x 600 mm)	78.0 in (1981 mm)	72.1 in (1831 mm)	72.2 in (1833 mm)	WT

* = PLAIN END
ST = SOIL TIGHT
WT = WATER TIGHT

NOTE: ALL FITTINGS DIMENSIONS ARE FOR REFERENCE ONLY



PLAIN END



ST & WT (INCLUDES 3 GASKETS)



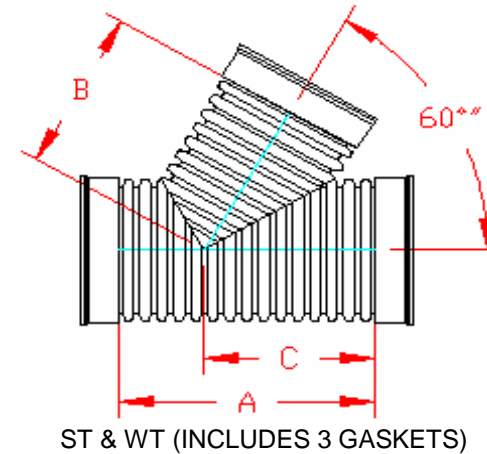
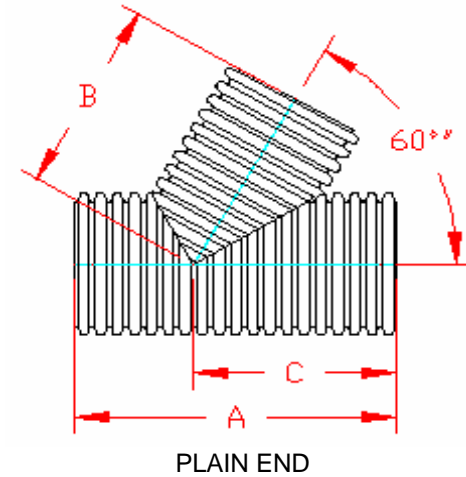
ADVANCED DRAINAGE SYSTEMS, INC.

DRAWING #:	2350A	
DRAWN BY:	JCB	06.14.06
APPROVED BY:	JCB	06.26.07
REVISIONS:	NJP	06.14.07

DUAL WALL FABRICATED 60° STANDARD WYES
18" - 24" DIAMETER

PART #	PIPE SIZE	A	B	C	JOINT
1886AN60	18 in (450 mm)	48.2 in (1225 mm)	29.5 in (749 mm)	29.5 in (749 mm)	*
1886AN6085B	18 in (450 mm)	37.5 in (953 mm)	24.1 in (613 mm)	24.1 in (613 mm)	ST
1886AN6065B	18 in (450 mm)	37.5 in (953 mm)	24.1 in (613 mm)	24.1 in (613 mm)	WT
2487AN60	24 in (600 mm)	59.9 in (1520 mm)	37.3 in (948 mm)	37.3 in (948 mm)	*
2487AN6085B	24 in (600 mm)	47.3 in (1200 mm)	32.0 in (812 mm)	32.0 in (812 mm)	ST
2487AN6065B	24 in (600 mm)	47.3 in (1200 mm)	32.0 in (812 mm)	32.0 in (812 mm)	WT

* = PLAIN END
 ST = SOIL TIGHT
 WT = WATER TIGHT



NOTE: ALL FITTINGS DIMENSIONS ARE FOR REFERENCE ONLY



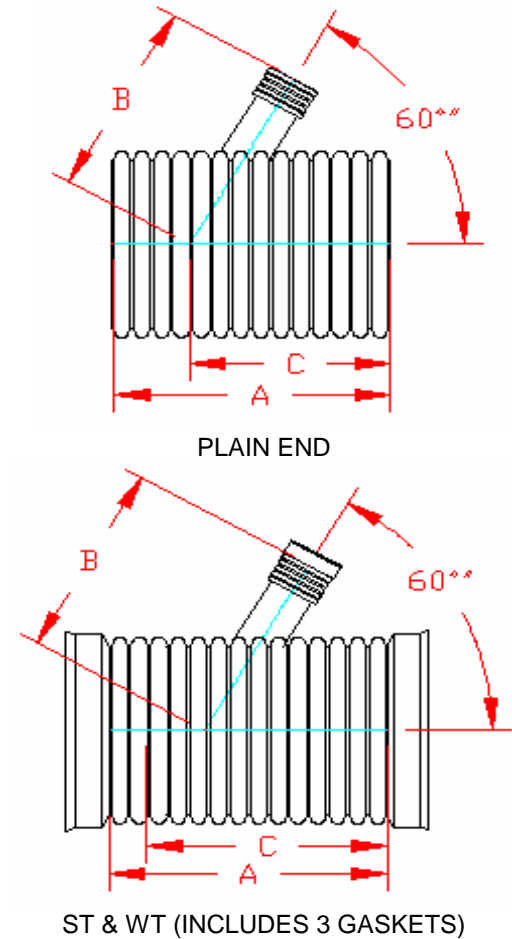
DRAWING #:	2355	
DRAWN BY:	JCB	08.09.06
APPROVED BY:	JCB	06.26.07
REVISIONS:	NJP	06.14.07

**DUAL WALL FABRICATED 60° REDUCING WYES
18"x4" - 18"x10" DIAMETER**

PART #	PIPE SIZE	A	B	C	JOINT
1880AN60	18 x 4 in (450 x 100 mm)	29.5 in (749 mm)	18.2 in (462 mm)	20.9 in (530 mm)	*
1880AN6085B	18 x 4 in (450 x 100 mm)	24.1 in (613 mm)	17.5 in (445 mm)	18.2 in (462 mm)	ST
1880AN6065B	18 x 4 in (450 x 100 mm)	24.1 in (613 mm)	17.5 in (445 mm)	18.2 in (462 mm)	WT
1881AN60	18 x 6 in (450 x 150 mm)	29.5 in (749 mm)	19.2 in (487 mm)	20.9 in (530 mm)	*
1881AN6085B	18 x 6 in (450 x 150 mm)	24.1 in (613 mm)	18.4 in (467 mm)	18.2 in (462 mm)	ST
1881AN6065B	18 x 6 in (450 x 150 mm)	24.1 in (613 mm)	18.4 in (467 mm)	18.2 in (462 mm)	WT
1882AN60	18 x 8 in (450 x 200 mm)	32.2 in (817 mm)	20.9 in (530 mm)	22.2 in (564 mm)	*
1882AN6085B	18 x 8 in (450 x 200 mm)	26.8 in (681 mm)	19.9 in (506 mm)	19.5 in (496 mm)	ST
1882AN6065B	18 x 8 in (450 x 200 mm)	26.8 in (681 mm)	19.9 in (506 mm)	19.5 in (496 mm)	WT
1883AN60	18 x 10 in (450 x 250 mm)	34.8 in (885 mm)	23.6 in (599 mm)	23.5 in (598 mm)	*
1883AN6085B	18 x 10 in (450 x 250 mm)	29.5 in (749 mm)	22.3 in (567 mm)	20.9 in (530 mm)	ST
1883AN6065B	18 x 10 in (450 x 250 mm)	29.5 in (749 mm)	22.3 in (567 mm)	20.9 in (530 mm)	WT

* = PLAIN END
ST = SOIL TIGHT
WT = WATER TIGHT

NOTE: ALL FITTINGS DIMENSIONS ARE FOR REFERENCE ONLY

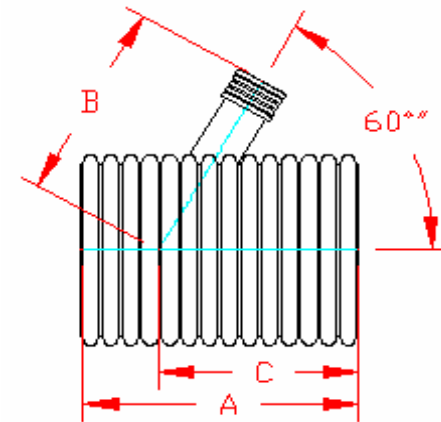


DRAWING #:	2360	
DRAWN BY:	JCB	06.14.06
APPROVED BY:	JCB	06.26.07
REVISIONS:	NJP	06.14.07

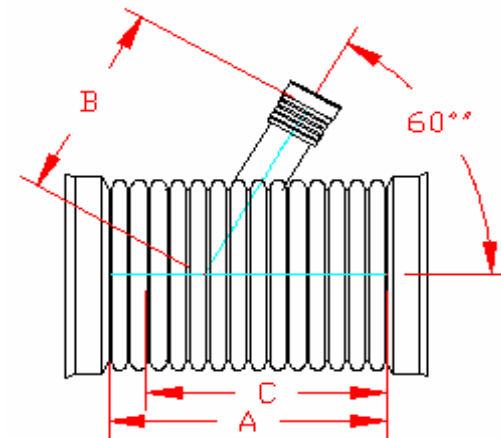
DUAL WALL FABRICATED 60° REDUCING WYES
18"x12" - 18"x15" DIAMETER

PART #	PIPE SIZE	A	B	C	JOINT
1884AN60	18 x 12 in (450 x 300 mm)	40.2 in (1021 mm)	29.5 in (750 mm)	26.2 in (666 mm)	*
1884AN6085B	18 x 12 in (450 x 300 mm)	34.8 in (885 mm)	27.6 in (701 mm)	23.5 in (598 mm)	ST
1884AN6065B	18 x 12 in (450 x 300 mm)	34.8 in (885 mm)	27.6 in (701 mm)	23.5 in (598 mm)	WT
1885AN60	18 x 15 in (450 x 375 mm)	42.9 in (1089 mm)	35.5 in (903 mm)	27.6 in (700 mm)	*
1885AN6085B	18 x 15 in (450 x 1375mm)	37.5 in (953 mm)	33.0 in (837 mm)	24.9 in (632 mm)	ST
1885AN6065B	18 x 15 in (450 x 375 mm)	37.5 in (953 mm)	33.0 in (837 mm)	24.9 in (632 mm)	WT

* = PLAIN END
 ST = SOIL TIGHT
 WT = WATER TIGHT



PLAIN END



ST & WT (INCLUDES 3 GASKETS)

NOTE: ALL FITTINGS DIMENSIONS ARE FOR REFERENCE ONLY



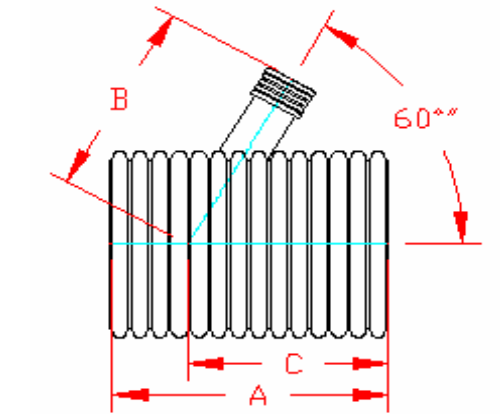
DRAWING #:	2360A	
DRAWN BY:	JCB	06.14.06
APPROVED BY:	JCB	06.26.07
REVISIONS:	NJP	06.14.07

DUAL WALL FABRICATED 60° REDUCING WYES
24"x4" - 24"x10" DIAMETER

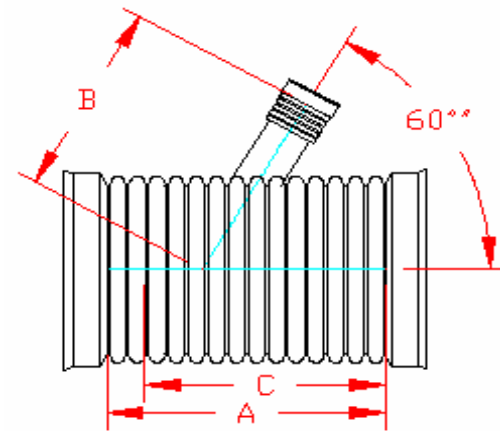
PART #	PIPE SIZE	A	B	C	JOINT
2480AN60	24 x 4 in (600 x 100 mm)	31.5 in (800 mm)	22.0 in (559 mm)	23.8 in (604 mm)	*
2480AN6085B	24 x 4 in (600 x 100 mm)	25.2 in (640 mm)	21.3 in (542 mm)	20.6 in (524 mm)	ST
2480AN6065B	24 x 4 in (600 x 100 mm)	25.2 in (640 mm)	21.3 in (542 mm)	20.6 in (524 mm)	WT
2481AN60	24 x 6 in (600 x 150 mm)	34.7 in (880 mm)	23.0 in (584 mm)	25.4 in (644 mm)	*
2481AN6085B	24 x 6 in (600 x 150 mm)	28.4 in (720 mm)	22.2 in (564 mm)	22.2 in (564 mm)	ST
2481AN6065B	24 x 6 in (600 x 150 mm)	28.4 in (720 mm)	22.2 in (564 mm)	22.2 in (564 mm)	WT
2482AN60	24 x 8 in (600 x 200 mm)	37.8 in (960 mm)	24.7 in (627 mm)	26.9 in (684 mm)	*
2482AN6085B	24 x 8 in (600 x 200 mm)	31.5 in (800 mm)	23.7 in (603 mm)	23.8 in (604 mm)	ST
2482AN6065B	24 x 8 in (600 x 200 mm)	31.5 in (800 mm)	23.7 in (603 mm)	23.8 in (604 mm)	WT
2483AN60	24 x 10 in (600 x 250 mm)	41.0 in (1040 mm)	27.4 in (696 mm)	28.5 in (724 mm)	*
2483AN6085B	24 x 10 in (600 x 250 mm)	34.7 in (880 mm)	26.1 in (664 mm)	25.4 in (644 mm)	ST
2483AN6065B	24 x 10 in (600 x 250 mm)	34.7 in (880 mm)	26.1 in (664 mm)	25.4 in (644 mm)	WT

* = PLAIN END
 ST = SOIL TIGHT
 WT = WATER TIGHT

NOTE: ALL FITTINGS DIMENSIONS ARE FOR REFERENCE ONLY



PLAIN END



ST & WT (INCLUDES 3 GASKETS)

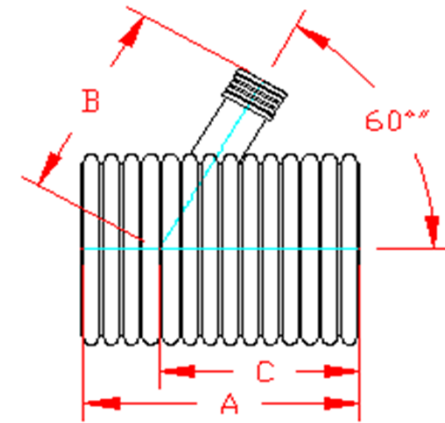


DRAWING #:	2365	
DRAWN BY:	JCB	06.14.06
APPROVED BY:	JCB	06.26.07
REVISIONS:	NJP	06.14.07

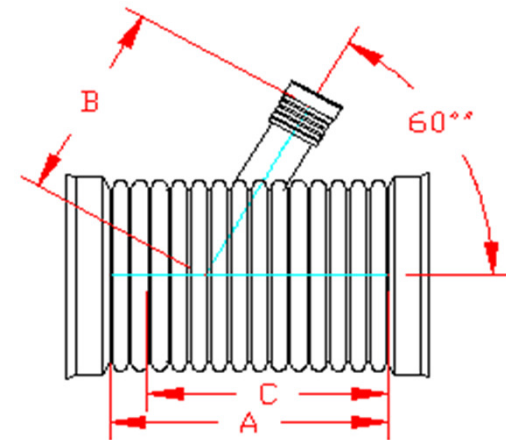
DUAL WALL FABRICATED 60° REDUCING WYES
24"×12" - 24"×18" DIAMETER

PART #	PIPE SIZE	A	B	C	JOINT
2484AN60	24 x 12 in (600 x 300 mm)	44.1 in (1120 mm)	33.3 in (847 mm)	30.1 in (764 mm)	*
2484AN6085B	24 x 12 in (600 x 300 mm)	37.8 in (960 mm)	31.4 in (798 mm)	26.9 in (684 mm)	ST
2484AN6065B	24 x 12 in (600 x 300 mm)	37.8 in (960 mm)	31.4 in (798 mm)	26.9 in (684 mm)	WT
2485AN60	24 x 15 in (600 x 375 mm)	47.3 in (1200 mm)	39.4 in (1000 mm)	31.7 in (804 mm)	*
2485AN6085B	24 x 15 in (600 x 375 mm)	41.0 in (1040 mm)	36.8 in (934 mm)	28.5 in (724 mm)	ST
2485AN6065B	24 x 15 in (600 x 375 mm)	41.0 in (1040 mm)	36.8 in (934 mm)	28.5 in (724 mm)	WT
2486AN60	24 x 18 in (600 x 450 mm)	50.4 in (1280 mm)	40.2 in (1020 mm)	33.2 in (844 mm)	*
2486AN6085B	24 x 18 in (600 x 450 mm)	44.1 in (1120 mm)	37.5 in (952 mm)	30.1 in (764 mm)	ST
2486AN6065B	24 x 18 in (600 x 450 mm)	44.1 in (1120 mm)	37.5 in (952 mm)	30.1 in (764 mm)	WT

* = PLAIN END
 ST = SOIL TIGHT
 WT = WATER TIGHT



PLAIN END



ST & WT (INCLUDES 3 GASKETS)

NOTE: ALL FITTINGS DIMENSIONS ARE FOR REFERENCE ONLY



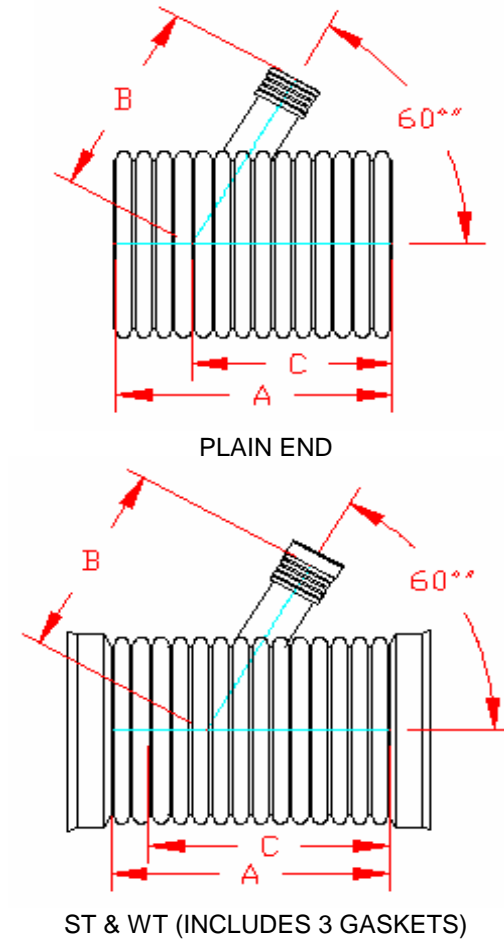
DRAWING #:	2365A	
DRAWN BY:	JCB	06.14.06
APPROVED BY:	JCB	06.26.07
REVISIONS:	TJR	4/19/2016

**DUAL WALL FABRICATED 60° REDUCING WYES
30"x4" - 30"x10" DIAMETER**

PART #	PIPE SIZE	A	B	C	JOINT
3080AN60	30 x 4 in (750 x 100 mm)	41.2 in (1046 mm)	26.2 in (665 mm)	30.7 in (781 mm)	*
3080AN6085B	30 x 4 in (750 x 100 mm)	33.0 in (837 mm)	25.5 in (649 mm)	26.6 in (676 mm)	ST
3080AN6065B	30 x 4 in (750 x 100 mm)	33.0 in (837 mm)	25.5 in (649 mm)	26.6 in (676 mm)	WT
3081AN60	30 x 6 in (750 x 150 mm)	41.2 in (1046 mm)	27.2 in (691 mm)	30.7 in (781 mm)	*
3081AN6085B	30 x 6 in (750 x 150 mm)	33.0 in (837 mm)	26.4 in (671 mm)	26.6 in (676 mm)	ST
3081AN6065B	30 x 6 in (750 x 150 mm)	33.0 in (837 mm)	26.4 in (671 mm)	26.6 in (676 mm)	WT
3082AN60	30 x 8 in (750 x 200 mm)	45.3 in (1151 mm)	28.9 in (734 mm)	32.8 in (833 mm)	*
3082AN6085B	30 x 8 in (750 x 200 mm)	37.1 in (942 mm)	27.9 in (710 mm)	28.7 in (728 mm)	ST
3082AN6065B	30 x 8 in (750 x 200 mm)	37.1 in (942 mm)	27.9 in (710 mm)	28.7 in (728 mm)	WT
3083AN60	30 x 10 in (750 x 250 mm)	49.4 in (1256 mm)	31.6 in (803 mm)	34.9 in (885 mm)	*
3083AN6085B	30 x 10 in (750 x 250 mm)	45.3 in (1151 mm)	30.3 in (771 mm)	30.7 in (781 mm)	ST
3083AN6065B	30 x 10 in (750 x 250 mm)	45.3 in (1151 mm)	30.3 in (771 mm)	30.7 in (781 mm)	WT

* = PLAIN END
ST = SOIL TIGHT
WT = WATER TIGHT

NOTE: ALL FITTINGS DIMENSIONS ARE FOR REFERENCE ONLY



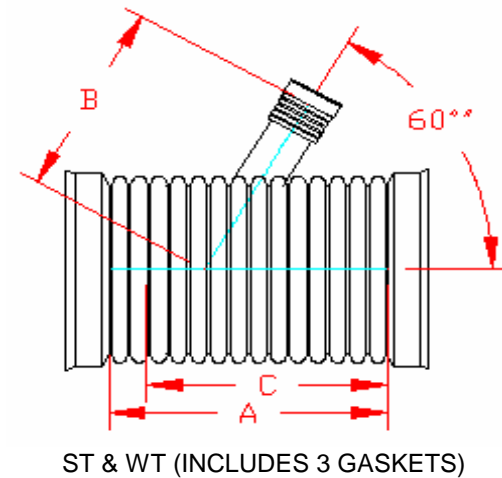
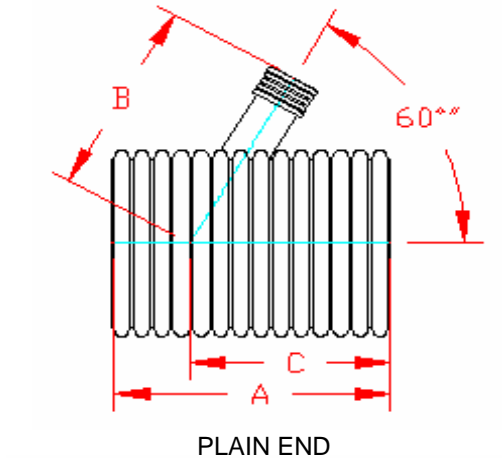
DRAWING #:	2370	
DRAWN BY:	JCB	06.14.06
APPROVED BY:	JCB	06.26.07
REVISIONS:	NJP	06.14.07

DUAL WALL FABRICATED 60° REDUCING WYES
30"x12" - 30"x24" DIAMETER

PART #	PIPE SIZE	A	B	C	JOINT
3084AN60	30 x 12 in (750 x 300 mm)	53.6 in (1360 mm)	37.5 in (954 mm)	36.9 in (938 mm)	*
3084AN6085B	30 x 12 in (750 x 300 mm)	45.3 in (1151 mm)	35.6 in (905 mm)	32.8 in (833 mm)	ST
3084AN6065B	30 x 12 in (750 x 300 mm)	45.3 in (1151 mm)	35.6 in (905 mm)	32.8 in (833 mm)	WT
3085AN60	30 x 15 in (750 x 375 mm)	53.6 in (1360 mm)	43.6 in (1107 mm)	36.9 in (938 mm)	*
3085AN6085B	30 x 15 in (750 x 375 mm)	45.3 in (1151 mm)	41.0 in (1041 mm)	32.8 in (833 mm)	ST
3085AN6065B	30 x 15 in (750 x 375 mm)	45.3 in (1151 mm)	41.0 in (1041 mm)	32.8 in (833 mm)	WT
3086AN60	30 x 18 in (750 x 450 mm)	57.7 in (1465 mm)	44.4 in (1127 mm)	39.0 in (990 mm)	*
3086AN6085B	30 x 18 in (750 x 450 mm)	49.4 in (1256 mm)	41.7 in (1059 mm)	34.9 in (885 mm)	ST
3086AN6065B	30 x 18 in (750 x 450 mm)	49.4 in (1256 mm)	41.7 in (1059 mm)	34.9 in (885 mm)	WT
3087AN60	30 x 24 in (750 x 600 mm)	65.9 in (1674 mm)	48.6 in (1235 mm)	43.1 in (1094 mm)	*
3087AN6085B	30 x 24 in (750 x 600 mm)	57.7 in (1465 mm)	45.5 in (1155 mm)	39.0 in (990 mm)	ST
3087AN6065B	30 x 24 in (750 x 600 mm)	57.7 in (1465 mm)	45.5 in (1155 mm)	39.0 in (990 mm)	WT

* = PLAIN END
 ST = SOIL TIGHT
 WT = WATER TIGHT

NOTE: ALL FITTINGS DIMENSIONS ARE FOR REFERENCE ONLY



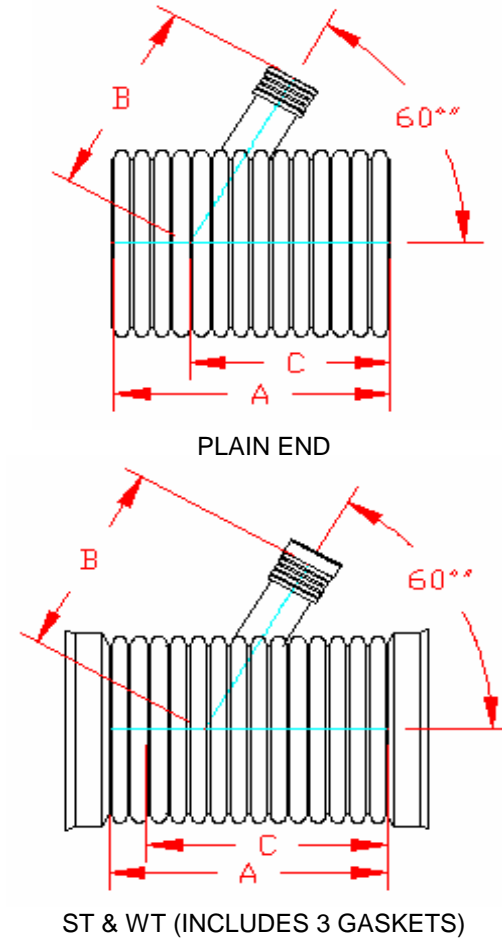
DRAWING #:	2370A	
DRAWN BY:	JCB	04.20.06
APPROVED BY:	JCB	06.26.07
REVISIONS:	NJP	06.14.07

DUAL WALL FABRICATED 60° REDUCING WYES
36"x4" - 36"x10" DIAMETER

PART #	PIPE SIZE	A	B	C	JOINT
3680AN60	36 x 4 in (900 x 100 mm)	52.5 in (1334 mm)	30.0 in (762 mm)	38.3 in (972 mm)	*
3680AN6085B	36 x 4 in (900 x 100 mm)	42.0 in (1067 mm)	29.4 in (745 mm)	33.0 in (839 mm)	ST
3680AN6065B	36 x 4 in (900 x 100 mm)	42.0 in (1067 mm)	29.4 in (745 mm)	33.0 in (839 mm)	WT
3681AN60	36 x 6 in (900 x 150 mm)	52.5 in (1334 mm)	31.0 in (787 mm)	38.3 in (972 mm)	*
3681AN6085B	36 x 6 in (900 x 150 mm)	42.0 in (1067 mm)	30.2 in (768 mm)	33.0 in (839 mm)	ST
3681AN6065B	36 x 6 in (900 x 150 mm)	42.0 in (1067 mm)	30.2 in (768 mm)	33.0 in (839 mm)	WT
3682AN60	36 x 8 in (900 x 200 mm)	57.8 in (1467 mm)	32.7 in (831 mm)	40.9 in (1039 mm)	*
3682AN6085B	36 x 8 in (900 x 200 mm)	47.3 in (1200 mm)	31.8 in (806 mm)	35.7 in (906 mm)	ST
3682AN6065B	36 x 8 in (900 x 200 mm)	47.3 in (1200 mm)	31.8 in (806 mm)	35.7 in (906 mm)	WT
3683AN60	36 x 10 in (900 x 250 mm)	57.8 in (1467 mm)	35.4 in (899 mm)	40.9 in (1039 mm)	*
3683AN6085B	36 x 10 in (900 x 250 mm)	47.3 in (1200 mm)	34.2 in (867 mm)	35.7 in (906 mm)	ST
3683AN6065B	36 x 10 in (900 x 250 mm)	47.3 in (1200 mm)	34.2 in (867 mm)	35.7 in (906 mm)	WT

* = PLAIN END
 ST = SOIL TIGHT
 WT = WATER TIGHT

NOTE: ALL FITTINGS DIMENSIONS ARE FOR REFERENCE ONLY

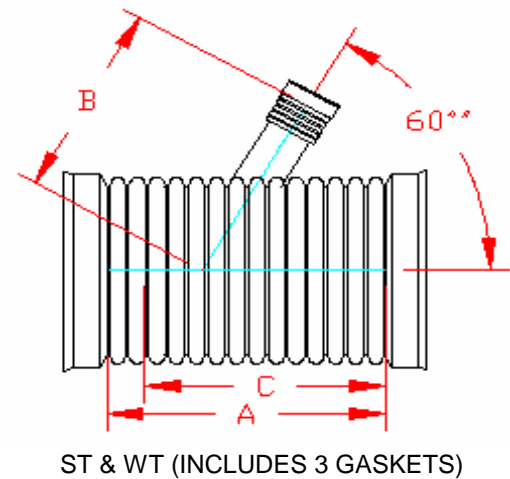
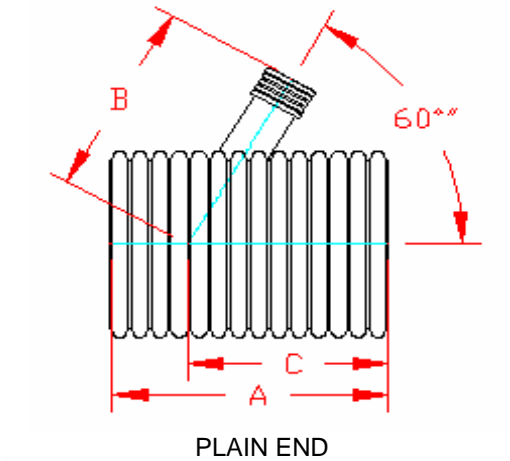


DRAWING #:	2375	
DRAWN BY:	JCB	04.20.06
APPROVED BY:	JCB	06.26.07
REVISIONS:	NJP	06.14.07

DUAL WALL FABRICATED 60° REDUCING WYES
36"x12" - 36"x24" DIAMETER

PART #	PIPE SIZE	A	B	C	JOINT
3684AN60	36 x 12 in (900 x 300 mm)	63.0 in (1600 mm)	41.4 in (1050 mm)	43.5 in (1106 mm)	*
3684AN6085B	36 x 12 in (900 x 300 mm)	52.5 in (1334 mm)	39.4 in (1002 mm)	38.3 in (972 mm)	ST
3684AN6065B	36 x 12 in (900 x 300 mm)	52.5 in (1334 mm)	39.4 in (1002 mm)	38.3 in (972 mm)	WT
3685AN60	36 x 15 in (900 x 375 mm)	63.0 in (1600 mm)	47.4 in (1203 mm)	43.5 in (1106 mm)	*
3685AN6085B	36 x 15 in (900 x 375 mm)	52.5 in (1334 mm)	44.8 in (1138 mm)	38.3 in (972 mm)	ST
3685AN6065B	36 x 15 in (900 x 375 mm)	52.5 in (1334 mm)	44.8 in (1138 mm)	38.3 in (972 mm)	WT
3686AN60	36 x 18 in (900 x 450 mm)	68.3 in (1734 mm)	48.2 in (1224 mm)	46.2 in (1172 mm)	*
3686AN6085B	36 x 18 in (900 x 450 mm)	57.8 in (1467 mm)	45.5 in (1156 mm)	40.9 in (1039 mm)	ST
3686AN6065B	36 x 18 in (900 x 450 mm)	57.8 in (1467 mm)	45.5 in (1156 mm)	40.9 in (1039 mm)	WT
3687AN60	36 x 24 in (900 x 600 mm)	78.8 in (2000 mm)	52.4 in (1331 mm)	51.4 in (1306 mm)	*
3687AN6085B	36 x 24 in (900 x 600 mm)	68.3 in (1734 mm)	49.3 in (1251 mm)	46.2 in (1172 mm)	ST
3687AN6065B	36 x 24 in (900 x 600 mm)	68.3 in (1734 mm)	49.3 in (1251 mm)	46.2 in (1172 mm)	WT

* = PLAIN END
 ST = SOIL TIGHT
 WT = WATER TIGHT



NOTE: ALL FITTINGS DIMENSIONS ARE FOR REFERENCE ONLY



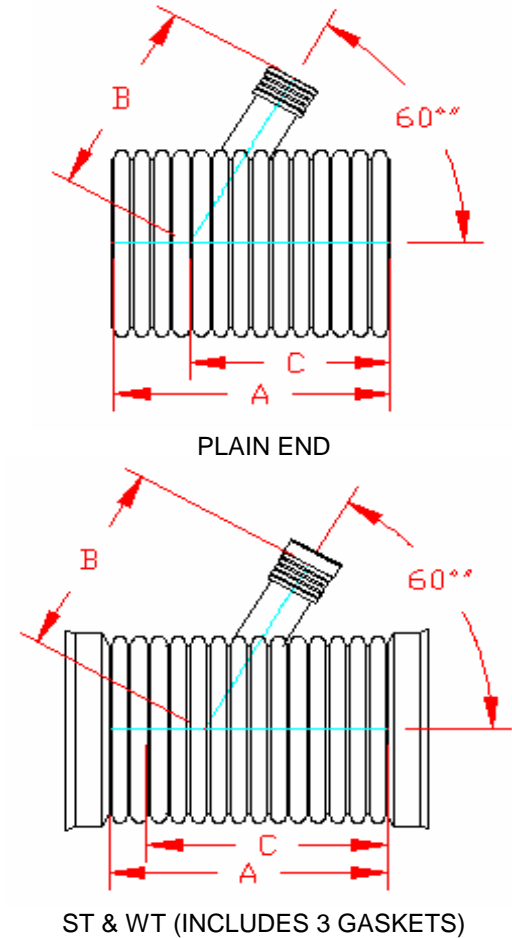
DRAWING #:	2375A	
DRAWN BY:	JCB	04.20.06
APPROVED BY:	JCB	06.26.07
REVISIONS:	NJP	06.14.07

DUAL WALL FABRICATED 60° REDUCING WYES
42"x4" - 42"x10" DIAMETER

PART #	PIPE SIZE	A	B	C	JOINT
4280AN60	42 x 4 in (1050 x 100 mm)	51.9 in (1318 mm)	33.5 in (850 mm)	39.7 in (1009 mm)	*
4280AN6085B	42 x 4 in (1050 x 100 mm)	41.5 in (1055 mm)	32.8 in (833 mm)	34.5 in (877 mm)	ST
4280AN6065B	42 x 4 in (1050 x 100 mm)	41.5 in (1055 mm)	32.8 in (833 mm)	34.5 in (877 mm)	WT
4281AN60	42 x 6 in (1050 x 150 mm)	51.9 in (1318 mm)	34.5 in (875 mm)	39.7 in (1009 mm)	*
4281AN6085B	42 x 6 in (1050 x 150 mm)	41.5 in (1055 mm)	33.7 in (856 mm)	34.5 in (877 mm)	ST
4281AN6065B	42 x 6 in (1050 x 150 mm)	41.5 in (1055 mm)	33.7 in (856 mm)	34.5 in (877 mm)	WT
4282AN60	42 x 8 in (1050 x 200 mm)	57.1 in (1450 mm)	36.2 in (919 mm)	42.3 in (1075 mm)	*
4282AN6085B	42 x 8 in (1050 x 200 mm)	46.7 in (1186 mm)	35.2 in (894 mm)	37.1 in (943 mm)	ST
4282AN6065B	42 x 8 in (1050 x 200 mm)	46.7 in (1186 mm)	35.2 in (894 mm)	37.1 in (943 mm)	WT
4283AN60	42 x 10 in (1050 x 250 mm)	57.1 in (1450 mm)	38.9 in (987 mm)	42.3 in (1075 mm)	*
4283AN6085B	42 x 10 in (1050 x 250 mm)	46.7 in (1186 mm)	37.6 in (955 mm)	37.1 in (943 mm)	ST
4283AN6065B	42 x 10 in (1050 x 250 mm)	46.7 in (1186 mm)	37.6 in (955 mm)	37.1 in (943 mm)	WT

* = PLAIN END
 ST = SOIL TIGHT
 WT = WATER TIGHT

NOTE: ALL FITTINGS DIMENSIONS ARE FOR REFERENCE ONLY



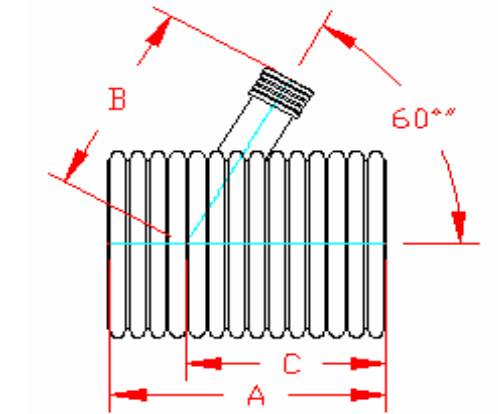
DRAWING #:	2380	
DRAWN BY:	JCB	04.20.06
APPROVED BY:	JCB	06.26.07
REVISIONS:	NJP	06.14.07

DUAL WALL FABRICATED 60° REDUCING WYES
42"x12" - 42"x24" DIAMETER

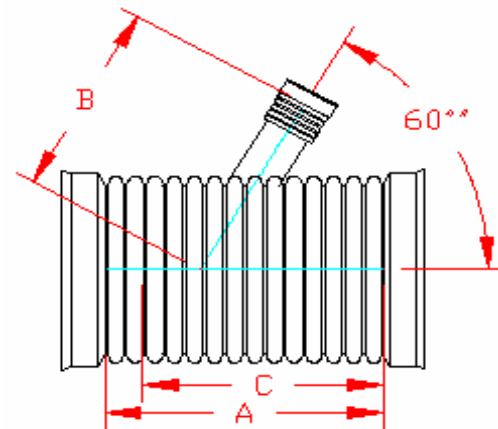
PART #	PIPE SIZE	A	B	C	JOINT
4284AN60	42 x 12 in (1050 x 300 mm)	62.3 in (1582 mm)	44.8 in (1138 mm)	44.9 in (1140 mm)	*
4284AN6085B	42 x 12 in (1050 x 300 mm)	51.9 in (1318 mm)	42.9 in (1089 mm)	39.7 in (1009 mm)	ST
4284AN6065B	42 x 12 in (1050 x 300 mm)	51.9 in (1318 mm)	42.8 in (1087 mm)	39.7 in (1009 mm)	WT
4285AN60	42 x 15 in (1050 x 375 mm)	62.3 in (1582 mm)	50.8 in (1291 mm)	44.9 in (1140 mm)	*
4285AN6085B	42 x 15 in (1050 x 375 mm)	51.9 in (1318 mm)	48.3 in (1226 mm)	39.7 in (1009 mm)	ST
4285AN6085B	42 x 15 in (1050 x 375 mm)	51.9 in (1318 mm)	48.3 in (1226 mm)	39.7 in (1009 mm)	WT
4286AN60	42 x 18 in (1050 x 450 mm)	67.5 in (1714 mm)	51.7 in (1312 mm)	47.5 in (1207 mm)	*
4286AN6085B	42 x 18 in (1050 x 450 mm)	57.1 in (1450 mm)	49.0 in (1244 mm)	42.3 in (1075 mm)	ST
4286AN6065B	42 x 18 in (1050 x 450 mm)	57.1 in (1450 mm)	49.0 in (1244 mm)	42.3 in (1075 mm)	WT
4287AN60	42 x 24 in (1050 x 600 mm)	77.9 in (1977 mm)	55.9 in (1419 mm)	52.7 in (1338 mm)	*
4287AN6085B	42 x 24 in (1050 x 600 mm)	67.5 in (1714 mm)	52.7 in (1339 mm)	49.5 in (1258 mm)	ST
4287AN6065B	42 x 24 in (1050 x 600 mm)	67.5 in (1714 mm)	52.7 in (1339 mm)	49.5 in (1258 mm)	WT

* = PLAIN END
ST = SOIL TIGHT
WT = WATER TIGHT

NOTE: ALL FITTINGS DIMENSIONS ARE FOR REFERENCE ONLY



PLAIN END



ST & WT (INCLUDES 3 GASKETS)



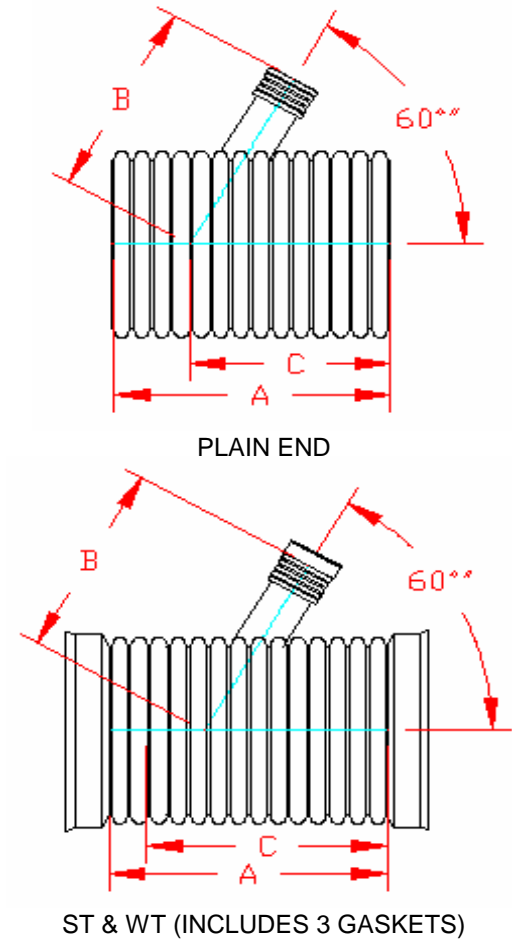
DRAWING #:	2380A	
DRAWN BY:	JCB	04.20.06
APPROVED BY:	JCB	06.26.07
REVISIONS:	NJP	06.14.07

DUAL WALL FABRICATED 60° REDUCING WYES
48"x4" - 48"x10" DIAMETER

PART #	PIPE SIZE	A	B	C	JOINT
4880AN60	48 x 4 in (1200 x 100 mm)	52.5 in (1334 mm)	36.9 in (937 mm)	41.7 in (1060 mm)	*
4880AN6085B	48 x 4 in (1200 x 100 mm)	42.0 in (1067 mm)	36.2 in (920 mm)	36.5 in (926 mm)	ST
4880AN6065B	48 x 4 in (1200 x 100 mm)	42.0 in (1067 mm)	36.2 in (920 mm)	36.5 in (926 mm)	WT
4881AN60	48 x 6 in (1200 x 150 mm)	52.5 in (1334 mm)	37.9 in (962 mm)	41.7 in (1060 mm)	*
4881AN6085B	48 x 6 in (1200 x 150 mm)	42.0 in (1067 mm)	37.1 in (942 mm)	36.5 in (926 mm)	ST
4881AN6065B	48 x 6 in (1200 x 150 mm)	42.0 in (1067 mm)	37.1 in (942 mm)	36.5 in (926 mm)	WT
4882AN60	48 x 8 in (1200 x 200 mm)	57.8 in (1467 mm)	39.6 in (1005 mm)	44.3 in (1126 mm)	*
4882AN6085B	48 x 8 in (1200 x 200 mm)	47.3 in (1200 mm)	38.6 in (981 mm)	39.1 in (993 mm)	ST
4882AN6065B	48 x 8 in (1200 x 200 mm)	47.3 in (1200 mm)	38.6 in (981 mm)	39.1 in (993 mm)	WT
4883AN60	48 x 10 in (1200 x 250 mm)	57.8 in (1467 mm)	42.3 in (2 mm)	44.3 in (1126 mm)	*
4883AN6085B	48 x 10 in (1200 x 250 mm)	47.3 in (1200 mm)	41.0 in (1042 mm)	39.1 in (993 mm)	ST
4883AN6065B	48 x 10 in (1200 x 250 mm)	47.3 in (1200 mm)	41.0 in (1042 mm)	39.9 in (1013 mm)	WT

* = PLAIN END
 ST = SOIL TIGHT
 WT = WATER TIGHT

NOTE: ALL FITTINGS DIMENSIONS ARE FOR REFERENCE ONLY



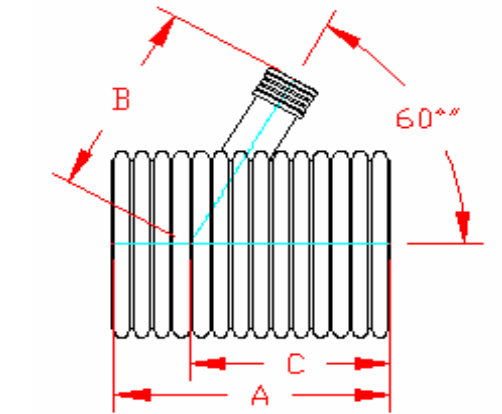
DRAWING #:	2385	
DRAWN BY:	JCB	04.20.06
APPROVED BY:	JCB	06.26.07
REVISIONS:	NJP	06.14.07

DUAL WALL FABRICATED 60° REDUCING WYES
48"x12" - 48"x24" DIAMETER

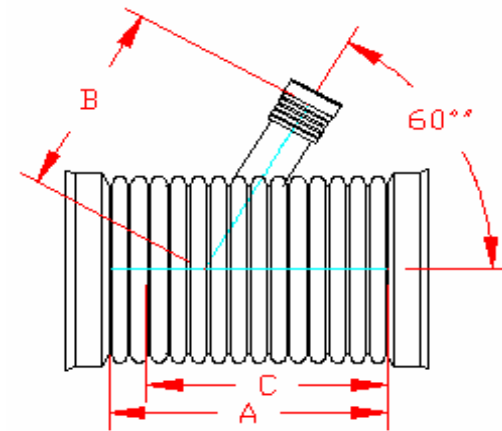
PART #	PIPE SIZE	A	B	C	JOINT
4884AN60	48 x 12 in (1200 x 300 mm)	63.0 in (1600 mm)	48.2 in (1225 mm)	47.0 in (1193 mm)	*
4884AN6085B	48 x 12 in (1200 x 300 mm)	52.5 in (1334 mm)	46.3 in (1176 mm)	41.7 in (1060 mm)	ST
4884AN6065B	48 x 12 in (1200 x 300 mm)	52.5 in (1334 mm)	46.3 in (1176 mm)	41.7 in (1060 mm)	WT
4885AN60	48 x 15 in (1200 x 375 mm)	63.0 in (1600 mm)	54.2 in (1378 mm)	47.0 in (1193 mm)	*
4885AN6085B	48 x 15 in (1200 x 375 mm)	52.5 in (1334 mm)	51.7 in (1312 mm)	41.7 in (1060 mm)	ST
4885AN6065B	48 x 15 in (1200 x 375 mm)	52.5 in (1334 mm)	51.7 in (1312 mm)	41.7 in (1060 mm)	WT
4886AN60	48 x 18 in (1200 x 450 mm)	68.3 in (1734 mm)	55.1 in (1399 mm)	49.6 in (1260 mm)	*
4886AN6085B	48 x 18 in (1200 x 450 mm)	57.8 in (1467 mm)	52.4 in (1330 mm)	44.3 in (1126 mm)	ST
4886AN6065B	48 x 18 in (1200 x 450 mm)	57.8 in (1467 mm)	52.4 in (1330 mm)	44.3 in (1126 mm)	WT
4887AN60	48 x 24 in (1200 x 600 mm)	78.8 in (2000 mm)	59.3 in (1506 mm)	54.8 in (1393 mm)	*
4887AN6085B	48 x 24 in (1200 x 600 mm)	68.3 in (1734 mm)	56.1 in (1426 mm)	49.6 in (1260 mm)	ST
4887AN6065B	48 x 24 in (1200 x 600 mm)	68.3 in (1734 mm)	56.1 in (1426 mm)	49.6 in (1260 mm)	WT

* = PLAIN END
 ST = SOIL TIGHT
 WT = WATER TIGHT

NOTE: ALL FITTINGS DIMENSIONS ARE FOR REFERENCE ONLY



PLAIN END



ST & WT (INCLUDES 3 GASKETS)



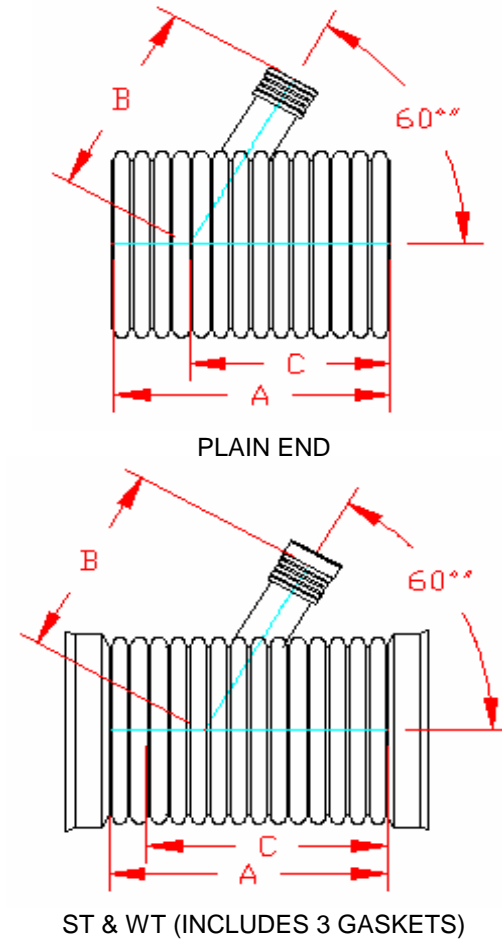
DRAWING #:	2385A	
DRAWN BY:	JCB	04.20.06
APPROVED BY:	JCB	06.26.07
REVISIONS:	NJP	06.14.07

DUAL WALL FABRICATED 60° REDUCING WYES
60"x4" - 60"x10" DIAMETER

PART #	PIPE SIZE	A	B	C	JOINT
6080AN60	60 x 4 in (1500 x 100 mm)	54.0 in (1372 mm)	44.2 in (1123 mm)	46.1 in (1172 mm)	*
6080AN6085B	60 x 4 in (1500 x 100 mm)	42.0 in (1067 mm)	43.6 in (1106 mm)	40.1 in (1019 mm)	ST
6080AN6065B	60 x 4 in (1500 x 100 mm)	42.0 in (1067 mm)	43.6 in (1106 mm)	40.1 in (1019 mm)	WT
6081AN60	60 x 6 in (1500 x 150 mm)	60.0 in (1524 mm)	45.2 in (1148 mm)	49.1 in (1248 mm)	*
6081AN6085B	60 x 6 in (1500 x 150 mm)	48.0 in (1219 mm)	44.4 in (1129 mm)	43.1 in (1096 mm)	ST
6081AN6065B	60 x 6 in (1500 x 150 mm)	48.0 in (1219 mm)	44.4 in (1129 mm)	43.1 in (1096 mm)	WT
6082AN60	60 x 8 in (1500 x 200 mm)	60.0 in (1524 mm)	46.9 in (1192 mm)	49.1 in (1248 mm)	*
6082AN6085B	60 x 8 in (1500 x 200 mm)	48.0 in (1219 mm)	46.0 in (1167 mm)	43.1 in (1096 mm)	ST
6082AN6065B	60 x 8 in (1500 x 200 mm)	48.0 in (1219 mm)	46.0 in (1167 mm)	43.1 in (1096 mm)	WT
6083AN60	60 x 10 in (1500 x 250 mm)	66.0 in (1676 mm)	49.6 in (2 mm)	52.1 in (1324 mm)	*
6083AN6085B	60 x 10 in (1500 x 250 mm)	54.0 in (1372 mm)	48.4 in (1228 mm)	46.1 in (1172 mm)	ST
6083AN6065B	60 x 10 in (1500 x 250 mm)	54.0 in (1372 mm)	48.4 in (1228 mm)	46.1 in (1172 mm)	WT

* = PLAIN END
 ST = SOIL TIGHT
 WT = WATER TIGHT

NOTE: ALL FITTINGS DIMENSIONS ARE FOR REFERENCE ONLY



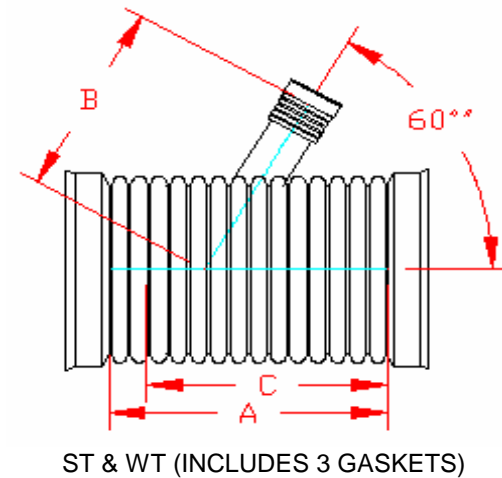
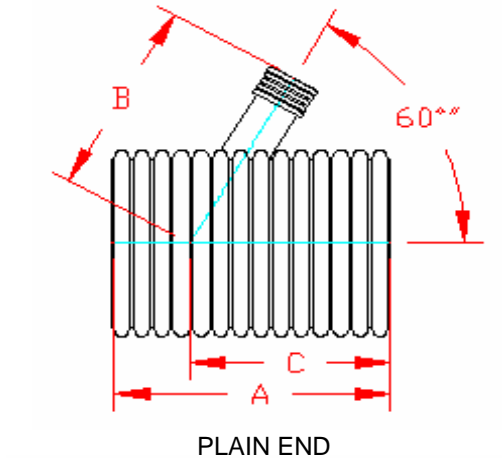
DRAWING #:	2390	
DRAWN BY:	JCB	04.20.06
APPROVED BY:	JCB	06.26.07
REVISIONS:	NJP	06.14.07

DUAL WALL FABRICATED 60° REDUCING WYES
60"x12" - 60"x24" DIAMETER

PART #	PIPE SIZE	A	B	C	JOINT
6084AN60	60 x 12 in (1500 x 300 mm)	66.0 in (1676 mm)	55.6 in (1411 mm)	52.1 in (1324 mm)	*
6084AN6085B	60 x 12 in (1500 x 300 mm)	54.0 in (1372 mm)	53.6 in (1362 mm)	46.1 in (1172 mm)	ST
6084AN6065B	60 x 12 in (1500 x 300 mm)	54.0 in (1372 mm)	53.6 in (1362 mm)	46.1 in (1172 mm)	WT
6085AN60	60 x 15 in (1500 x 375 mm)	72.0 in (1829 mm)	61.6 in (1564 mm)	55.1 in (1400 mm)	*
6085AN6085B	60 x 15 in (1500 x 375 mm)	60.0 in (1524 mm)	59.0 in (1498 mm)	49.1 in (1248 mm)	ST
6085AN6065B	60 x 15 in (1500 x 375 mm)	60.0 in (1524 mm)	59.0 in (1498 mm)	49.1 in (1248 mm)	WT
6086AN60	60 x 18 in (1500 x 450 mm)	78.0 in (1981 mm)	62.4 in (1585 mm)	58.1 in (1477 mm)	*
6086AN6085B	60 x 18 in (1500 x 450 mm)	66.0 in (1676 mm)	59.7 in (1517 mm)	52.1 in (1324 mm)	ST
6086AN6065B	60 x 18 in (1500 x 450 mm)	66.0 in (1676 mm)	59.7 in (1517 mm)	52.1 in (1324 mm)	WT
6087AN60	60 x 24 in (1500 x 600 mm)	84.0 in (2134 mm)	66.6 in (1692 mm)	61.1 in (1553 mm)	*
6087AN6085B	60 x 24 in (1500 x 600 mm)	72.0 in (1829 mm)	63.5 in (1612 mm)	55.1 in (1400 mm)	ST
6087AN6065B	60 x 24 in (1500 x 600 mm)	72.0 in (1829 mm)	63.5 in (1612 mm)	55.1 in (1400 mm)	WT

* = PLAIN END
 ST = SOIL TIGHT
 WT = WATER TIGHT

NOTE: ALL FITTINGS DIMENSIONS ARE FOR REFERENCE ONLY



DRAWING #:	2390A	
DRAWN BY:	JCB	04.20.06
APPROVED BY:	JCB	06.26.07
REVISIONS:	NJP	06.14.07

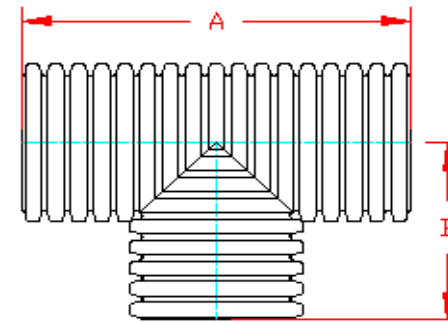
DUAL WALL FABRICATED TEES 4" - 30" DIAMETER

PART #	PIPE SIZE	A	B	JOINT
** 0460AN	4 in (100 mm)	12.8 in (324 mm)	6.2 in (158 mm)	*
** 0661AN	6 in (150 mm)	16.5 in (419 mm)	8.1 in (207 mm)	*
** 0862AN	8 in (200 mm)	21.0 in (533 mm)	10.6 in (268 mm)	*
** 1063AN	10 in (250 mm)	26.0 in (660 mm)	12.6 in (320 mm)	*
1264AN	12 in (300 mm)	30.7 in (780 mm)	15.4 in (390 mm)	*
1264AN85B	12 in (300 mm)	21.1 in (536 mm)	10.6 in (268 mm)	ST
1264AN65B	12 in (300 mm)	21.1 in (536 mm)	10.6 in (268 mm)	WT
1565AN	15 in (375 mm)	38.9 in (987 mm)	19.4 in (494 mm)	*
1565AN85B	15 in (375 mm)	23.3 in (592 mm)	11.7 in (296 mm)	ST
1565AN65B	15 in (375 mm)	23.3 in (592 mm)	11.7 in (296 mm)	WT
1866AN	18 in (450 mm)	42.9 in (1089 mm)	21.4 in (545 mm)	*
1866AN85B	18 in (450 mm)	26.8 in (681 mm)	13.4 in (340 mm)	ST
1866AN65B	18 in (450 mm)	26.8 in (681 mm)	13.4 in (340 mm)	WT
2467AN	24 in (600 mm)	50.4 in (1280 mm)	25.2 in (640 mm)	*
2467AN85B	24 in (600 mm)	37.8 in (960 mm)	18.9 in (480 mm)	ST
2467AN65B	24 in (600 mm)	37.8 in (960 mm)	18.9 in (480 mm)	WT

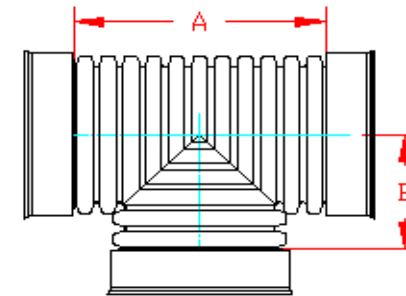
* = PLAIN END
ST = SOIL TIGHT
WT = WATER TIGHT

** LIMITED AVAILABILITY. PLEASE SEE INJECTION MOLDED FITTING SECTION FOR OTHER AVAILABLE FITTINGS

NOTE: ALL FITTINGS DIMENSIONS ARE FOR REFERENCE ONLY



PLAIN END



ST & WT (INCLUDES 3 GASKETS)



ADVANCED DRAINAGE SYSTEMS, INC.

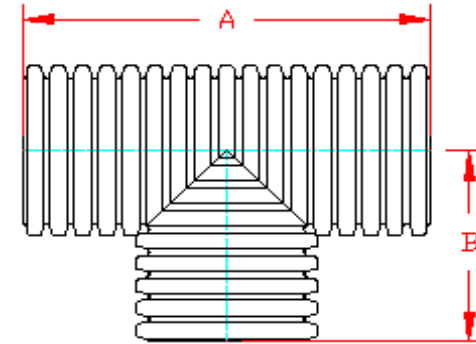
DRAWING #:	2400	
DRAWN BY:	JCB	05.23.07
APPROVED BY:	JCB	06.26.07
REVISIONS:	TJR	2/2/2010

DUAL WALL FABRICATED TEES 30" - 60" DIAMETER

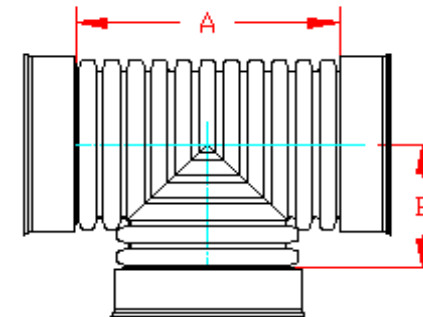
PART #	PIPE SIZE	A	B	JOINT
3068AN	30 in (750 mm)	65.9 in (1674 mm)	33.0 in (837 mm)	*
3068AN85B	30 in (750 mm)	49.4 in (1256 mm)	24.7 in (628 mm)	ST
3068AN65B	30 in (750 mm)	49.4 in (1256 mm)	24.7 in (628 mm)	WT
3669AN	36 in (900 mm)	78.8 in (2000 mm)	34.4 in (873 mm)	*
3669AN85B	36 in (900 mm)	58.0 in (1473 mm)	29.0 in (737 mm)	ST
3669AN65B	36 in (900 mm)	58.0 in (1473 mm)	29.0 in (737 mm)	WT
4251AN	42 in (1050 mm)	71.9 in (1826 mm)	36.0 in (914 mm)	*
4251AN85B	42 in (1050 mm)	62.2 in (1580 mm)	31.1 in (790 mm)	ST
4251AN65BB	42 in (1050 mm)	62.2 in (1580 mm)	31.1 in (790 mm)	WT
4851AN	48 in (1200 mm)	78.5 in (1994 mm)	39.3 in (998 mm)	*
4851AN85B	48 in (1200 mm)	68.2 in (1733 mm)	36.7 in (933 mm)	ST
4851AN65BB	48 in (1200 mm)	68.2 in (1733 mm)	36.7 in (933 mm)	WT
6051AN	60 in (1500 mm)	90.0 in (2286 mm)	45.0 in (1143 mm)	*
6051AN85B	60 in (1500 mm)	90.0 in (2286 mm)	45.0 in (1143 mm)	ST
6051AN65BB	60 in (1500 mm)	90.0 in (2286 mm)	45.0 in (1143 mm)	WT

* = PLAIN END
ST = SOIL TIGHT
WT = WATER TIGHT

NOTE: ALL FITTINGS DIMENSIONS ARE FOR REFERENCE ONLY



PLAIN END



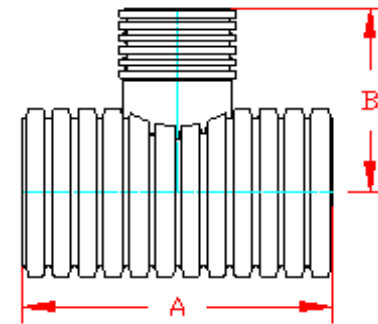
ST & WT (INCLUDES 3 GASKETS)



DRAWING #:	2400A	
DRAWN BY:	JCB	05.22.06
APPROVED BY:	JCB	06.26.07
REVISIONS:	TJR	2/2/2010

DUAL WALL FABRICATED REDUCING TEES
6" x 4" - 10" x 8" DIAMETER

PART #	PIPE SIZE	A	B	JOINT
** 0660AN	6 x 4 in (150 x 100 mm)	14.7 in (374 mm)	9.9 in (252 mm)	*
** 0860AN	8 x 4 in (200 x 100 mm)	17.3 in (439 mm)	11.2 in (285 mm)	*
** 0861AN	8 x 4 in (200 x 150 mm)	20.2 in (512 mm)	11.5 in (293 mm)	*
** 1060AN	10 x 4 in (250 x 100 mm)	20.2 in (512 mm)	11.3 in (286 mm)	*
** 1061AN	10 x 6 in (250 x 150 mm)	20.2 in (512 mm)	13.1 in (332 mm)	*
** 1062AN	10 x 8 in (250 x 200 mm)	22.7 in (576 mm)	15.2 in (385 mm)	*



PLAIN END

* = PLAIN END
 ST = SOIL TIGHT
 WT = WATER TIGHT

** LIMITED AVAILABILITY. PLEASE SEE INJECTION MOLDED FITTING SECTION FOR OTHER AVAILABLE FITTINGS

NOTE: ALL FITTINGS DIMENSIONS ARE FOR REFERENCE ONLY



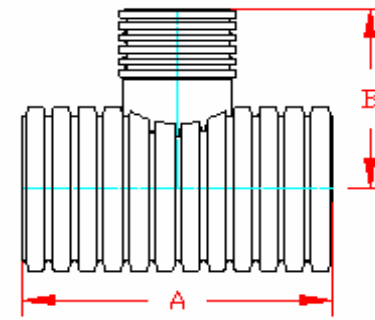
DRAWING #:	2402	
DRAWN BY:	NJP	08.31.06
APPROVED BY:	JCB	06.26.07
REVISIONS:	TJR	2/2/2010

DUAL WALL FABRICATED REDUCING TEES
12"x4" - 12"x10" DIAMETER

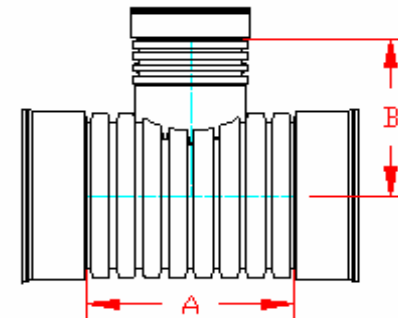
PART #	PIPE SIZE	A	B	JOINT
1260AN	12 x 4 in (300 x 100 mm)	21.1 in (536 mm)	13.6 in (345 mm)	*
1260AN85B	12 x 4 in (300 x 100 mm)	13.4 in (341 mm)	12.3 in (312 mm)	ST
1260AN65B	12 x 4 in (300 x 100 mm)	13.4 in (341 mm)	12.3 in (312 mm)	WT
1261AN	12 x 6 in (300 x 150 mm)	23.0 in (585 mm)	14.5 in (368 mm)	*
1261AN85B	12 x 6 in (300 x 150 mm)	15.4 in (390 mm)	12.9 in (329 mm)	ST
1261AN65B	12 x 6 in (300 x 150 mm)	15.4 in (390 mm)	12.9 in (329 mm)	WT
1262AN	12 x 8 in (300 x 200 mm)	25.0 in (634 mm)	17.0 in (432 mm)	*
1262AN85B	12 x 8 in (300 x 200 mm)	17.3 in (439 mm)	15.1 in (383 mm)	ST
1262AN65B	12 x 8 in (300 x 200 mm)	17.3 in (439 mm)	15.1 in (383 mm)	WT
1263AN	12 x 10 in (300 x 250 mm)	26.9 in (683 mm)	16.4 in (416 mm)	*
1263AN85B	12 x 10 in (300 x 250 mm)	19.2 in (488 mm)	13.9 in (352 mm)	ST
1263AN65B	12 x 10 in (300 x 250 mm)	19.2 in (488 mm)	13.9 in (352 mm)	WT

* = PLAIN END
 ST = SOIL TIGHT
 WT = WATER TIGHT

NOTE: ALL FITTINGS DIMENSIONS ARE FOR REFERENCE ONLY



PLAIN END



ST & WT (INCLUDES 3 GASKETS)



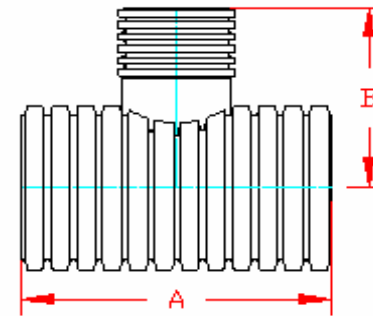
DRAWING #:	2405	
DRAWN BY:	NJP	08.31.06
APPROVED BY:	JCB	06.26.07
REVISIONS:	NJP	06.14.07

**DUAL WALL FABRICATED REDUCING TEES
15"x4" - 15"x12 DIAMETER**

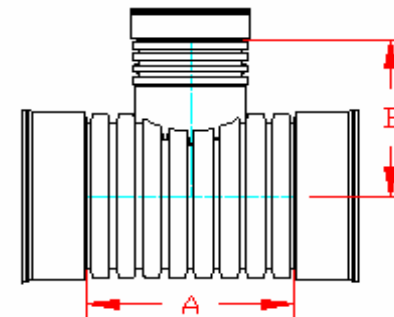
PART #	PIPE SIZE	A	B	JOINT
1560AN	15 x 4 in (375 x 100 mm)	25.9 in (658 mm)	15.1 in (384 mm)	*
1560AN85B	15 x 4 in (375 x 100 mm)	15.5 in (395 mm)	13.8 in (350 mm)	ST
1560AN65B	15 x 4 in (375 x 100 mm)	15.5 in (395 mm)	13.8 in (350 mm)	WT
1561AN	15 x 6 in (375 x 150 mm)	28.5 in (724 mm)	16.1 in (409 mm)	*
1561AN85B	15 x 6 in (375 x 150 mm)	18.1 in (461 mm)	14.6 in (370 mm)	ST
1561AN65B	15 x 6 in (375 x 150 mm)	18.1 in (461 mm)	14.6 in (370 mm)	WT
1562AN	15 x 8 in (375 x 200 mm)	31.1 in (789 mm)	18.8 in (479 mm)	*
1562AN85B	15 x 8 in (375 x 200 mm)	20.7 in (526 mm)	16.9 in (430 mm)	ST
1562AN65B	15 x 8 in (375 x 200 mm)	20.7 in (526 mm)	16.9 in (430 mm)	WT
1563AN	15 x 10 in (375 x 250 mm)	33.7 in (855 mm)	18.8 in (477 mm)	*
1563AN85B	15 x 10 in (375 x 250 mm)	23.3 in (592 mm)	16.3 in (413 mm)	ST
1563AN65B	15 x 10 in (375 x 250 mm)	23.3 in (592 mm)	16.3 in (413 mm)	WT
1564AN	15 x 12 in (375 x 300 mm)	36.3 in (921 mm)	18.0 in (457 mm)	*
1564AN85B	15 x 12 in (375 x 300 mm)	25.9 in (658 mm)	14.1 in (359 mm)	ST
1564AN65B	15 x 12 in (375 x 300 mm)	25.9 in (658 mm)	14.1 in (359 mm)	WT

* = PLAIN END
ST = SOIL TIGHT
WT = WATER TIGHT

NOTE: ALL FITTINGS DIMENSIONS ARE FOR REFERENCE ONLY



PLAIN END



ST & WT (INCLUDES 3 GASKETS)



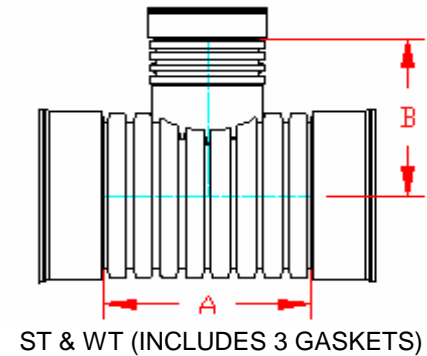
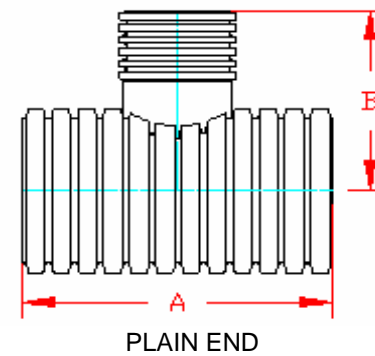
DRAWING #:	2410	
DRAWN BY:	JCB	04.30.06
APPROVED BY:	JCB	06.26.07
REVISIONS:	NJP	06.14.07

DUAL WALL FABRICATED REDUCING TEES
18"x4" - 18"x10" DIAMETER

PART #	PIPE SIZE	A	B	JOINT
1860AN	18 x 4 in (450 x 100 mm)	26.8 in (681 mm)	16.7 in (424 mm)	*
1860AN85B	18 x 4 in (450 x 100 mm)	16.1 in (408 mm)	15.4 in (391 mm)	ST
1860AN65B	18 x 4 in (450 x 100 mm)	16.1 in (408 mm)	15.4 in (391 mm)	WT
1861AN	18 x 6 in (450 x 150 mm)	29.5 in (749 mm)	17.8 in (452 mm)	*
1861AN85B	18 x 6 in (450 x 150 mm)	18.8 in (477 mm)	16.3 in (413 mm)	ST
1861AN65B	18 x 6 in (450 x 150 mm)	18.8 in (477 mm)	16.3 in (413 mm)	WT
1862AN	18 x 8 in (450 x 200 mm)	32.2 in (817 mm)	20.7 in (525 mm)	*
1862AN85B	18 x 8 in (450 x 200 mm)	21.4 in (545 mm)	18.7 in (476 mm)	ST
1862AN65B	18 x 8 in (450 x 200 mm)	21.4 in (545 mm)	18.7 in (476 mm)	WT
1863AN	18 x 10 in (450 x 250 mm)	34.8 in (885 mm)	20.8 in (529 mm)	*
1863AN85B	18 x 10 in (450 x 250 mm)	24.1 in (613 mm)	18.3 in (465 mm)	ST
1863AN65B	18 x 10 in (450 x 250 mm)	24.1 in (613 mm)	18.3 in (465 mm)	WT

* = PLAIN END
 ST = SOIL TIGHT
 WT = WATER TIGHT

NOTE: ALL FITTINGS DIMENSIONS ARE FOR REFERENCE ONLY

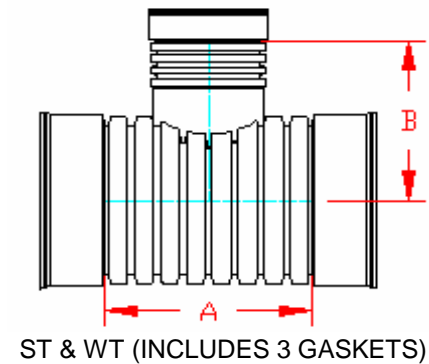
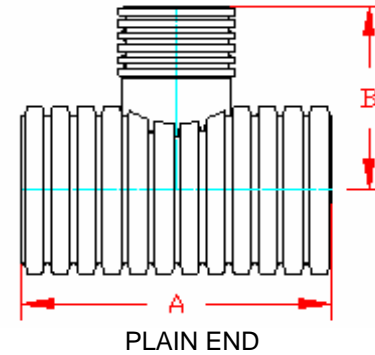


DRAWING #:	2415	
DRAWN BY:	JCB	04.30.06
APPROVED BY:	JCB	06.26.07
REVISIONS:	NJP	06.14.07

DUAL WALL FABRICATED REDUCING TEES
18"x12" - 18"x15" DIAMETER

PART #	PIPE SIZE	A	B	JOINT
1864AN	18 x 12 in (450 x 300 mm)	37.5 in (953 mm)	19.3 in (490 mm)	*
1864AN85B	18 x 12 in (450 x 300 mm)	26.8 in (681 mm)	15.5 in (393 mm)	ST
1864AN65B	18 x 12 in (450 x 300 mm)	26.8 in (681 mm)	15.5 in (393 mm)	WT
1865AN	18 x 15 in (450 x 375 mm)	40.2 in (1021 mm)	22.8 in (578 mm)	*
1865AN85B	18 x 15 in (450 x 1375mm)	29.5 in (749 mm)	17.6 in (446 mm)	ST
1865AN65B	18 x 15 in (450 x 375 mm)	29.5 in (749 mm)	17.6 in (446 mm)	WT

* = PLAIN END
 ST = SOIL TIGHT
 WT = WATER TIGHT



NOTE: ALL FITTINGS DIMENSIONS ARE FOR REFERENCE ONLY



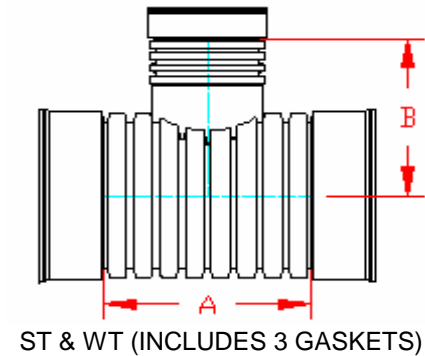
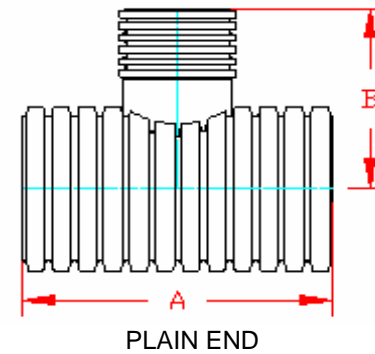
DRAWING #:	2415A	
DRAWN BY:	NJP	08.31.06
APPROVED BY:	JCB	06.26.07
REVISIONS:	NJP	06.14.07

DUAL WALL FABRICATED REDUCING TEES
24"x4" - 24"x10" DIAMETER

PART #	PIPE SIZE	A	B	JOINT
2460AN	24 x 4 in (600 x 100 mm)	31.5 in (800 mm)	19.8 in (503 mm)	*
2460AN85B	24 x 4 in (600 x 100 mm)	18.9 in (480 mm)	18.5 in (469 mm)	ST
2460AN65B	24 x 4 in (600 x 100 mm)	18.9 in (480 mm)	18.5 in (469 mm)	WT
2461AN	24 x 6 in (600 x 150 mm)	34.7 in (880 mm)	21.0 in (533 mm)	*
2461AN85B	24 x 6 in (600 x 150 mm)	22.1 in (560 mm)	19.4 in (494 mm)	ST
2461AN65B	24 x 6 in (600 x 150 mm)	22.1 in (560 mm)	19.4 in (494 mm)	WT
2462AN	24 x 8 in (600 x 200 mm)	34.7 in (880 mm)	24.0 in (609 mm)	*
2462AN85B	24 x 8 in (600 x 200 mm)	22.1 in (560 mm)	22.0 in (560 mm)	ST
2462AN65B	24 x 8 in (600 x 200 mm)	22.1 in (560 mm)	22.0 in (560 mm)	WT
2463AN	24 x 10 in (600 x 250 mm)	37.8 in (960 mm)	24.3 in (618 mm)	*
2463AN85B	24 x 10 in (600 x 250 mm)	25.2 in (640 mm)	21.8 in (554 mm)	ST
2463AN65B	24 x 10 in (600 x 250 mm)	25.2 in (640 mm)	21.8 in (554 mm)	WT

* = PLAIN END
 ST = SOIL TIGHT
 WT = WATER TIGHT

NOTE: ALL FITTINGS DIMENSIONS ARE FOR REFERENCE ONLY

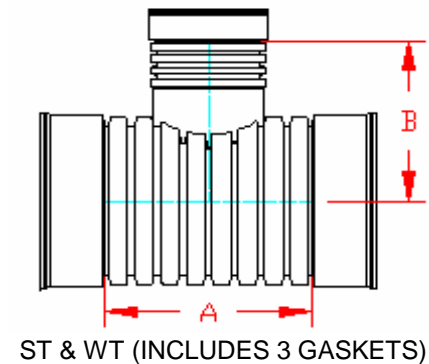
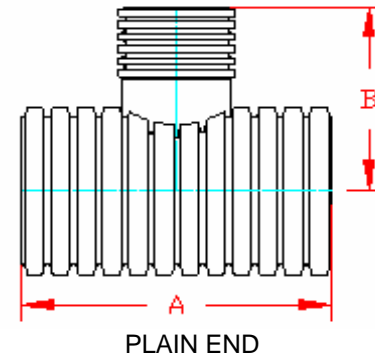


DRAWING #:	2420	
DRAWN BY:	NJP	09.06.06
APPROVED BY:	JCB	06.26.07
REVISIONS:	NJP	06.14.07

DUAL WALL FABRICATED REDUCING TEES
24"x12" - 24"x18" DIAMETER

PART #	PIPE SIZE	A	B	JOINT
2464AN	24 x 12 in (600 x 300 mm)	41.0 in (1040 mm)	23.1 in (587 mm)	*
2464AN85B	24 x 12 in (600 x 300 mm)	28.4 in (720 mm)	19.3 in (489 mm)	ST
2464AN65B	24 x 12 in (600 x 300 mm)	28.4 in (720 mm)	19.3 in (489 mm)	WT
2465AN	24 x 15 in (600 x 375 mm)	44.1 in (1120 mm)	26.6 in (674 mm)	*
2465AN85B	24 x 15 in (600 x 375 mm)	31.5 in (800 mm)	21.4 in (543 mm)	ST
2465AN65B	24 x 15 in (600 x 375 mm)	31.5 in (800 mm)	21.4 in (543 mm)	WT
2466AN	24 x 18 in (600 x 450 mm)	47.3 in (1200 mm)	26.6 in (674 mm)	*
2466AN85B	24 x 18 in (600 x 450 mm)	34.7 in (880 mm)	21.2 in (538 mm)	ST
2466AN65B	24 x 18 in (600 x 450 mm)	34.7 in (880 mm)	21.2 in (538 mm)	WT

* = PLAIN END
 ST = SOIL TIGHT
 WT = WATER TIGHT



NOTE: ALL FITTINGS DIMENSIONS ARE FOR REFERENCE ONLY



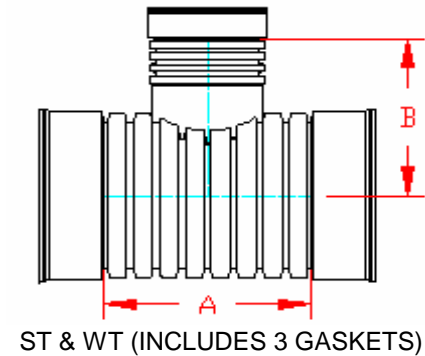
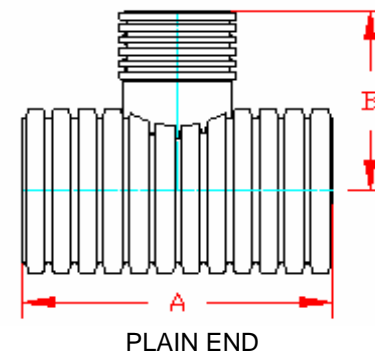
DRAWING #:	2420A	
DRAWN BY:	JCB	04.30.06
APPROVED BY:	JCB	06.26.07
REVISIONS:	NJP	06.14.07

**DUAL WALL FABRICATED REDUCING TEES
30"x4" - 30"x10" DIAMETER**

PART #	PIPE SIZE	A	B	JOINT
3060AN	30 x 4 in (750 x 100 mm)	41.2 in (1046 mm)	23.8 in (604 mm)	*
3060AN85B	30 x 4 in (750 x 100 mm)	24.7 in (627 mm)	22.5 in (571 mm)	ST
3060AN65B	30 x 4 in (750 x 100 mm)	24.7 in (627 mm)	22.5 in (571 mm)	WT
3061AN	30 x 6 in (750 x 150 mm)	41.2 in (1046 mm)	25.0 in (636 mm)	*
3061AN85B	30 x 6 in (750 x 150 mm)	24.7 in (628 mm)	23.5 in (596 mm)	ST
3061AN65B	30 x 6 in (750 x 150 mm)	24.7 in (628 mm)	23.5 in (596 mm)	WT
3062AN	30 x 8 in (750 x 200 mm)	45.3 in (1151 mm)	27.1 in (688 mm)	*
3062AN85B	30 x 8 in (750 x 200 mm)	28.8 in (733 mm)	25.2 in (639 mm)	ST
3062AN65B	30 x 8 in (750 x 200 mm)	28.8 in (733 mm)	25.2 in (639 mm)	WT
3063AN	30 x 10 in (750 x 250 mm)	45.3 in (1151 mm)	27.6 in (700 mm)	*
3063AN85B	30 x 10 in (750 x 250 mm)	28.8 in (733 mm)	27.0 in (687 mm)	ST
3063AN65B	30 x 10 in (750 x 250 mm)	28.8 in (733 mm)	25.0 in (636 mm)	WT

* = PLAIN END
ST = SOIL TIGHT
WT = WATER TIGHT

NOTE: ALL FITTINGS DIMENSIONS ARE FOR REFERENCE ONLY



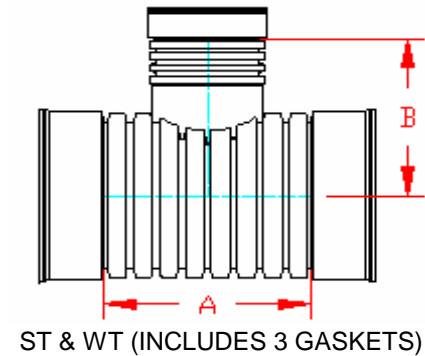
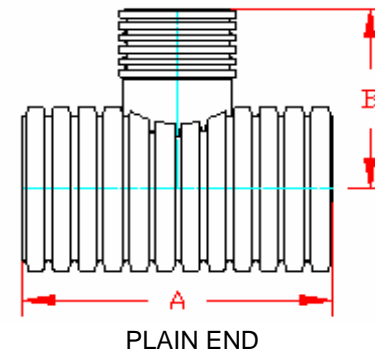
DRAWING #:	2425	
DRAWN BY:	NJP	09.07.06
APPROVED BY:	JCB	06.26.07
REVISIONS:	NJP	06.14.07

DUAL WALL FABRICATED REDUCING TEES
30"x12" - 30"x24" DIAMETER

PART #	PIPE SIZE	A	B	JOINT
3064AN	30 x 12 in (750 x 300 mm)	49.4 in (1256 mm)	26.8 in (679 mm)	*
3064AN85B	30 x 12 in (750 x 300 mm)	33.0 in (837 mm)	22.9 in (582 mm)	ST
3064AN65B	30 x 12 in (750 x 300 mm)	33.0 in (837 mm)	22.9 in (582 mm)	WT
3065AN	30 x 15 in (750 x 375 mm)	53.6 in (1360 mm)	30.2 in (767 mm)	*
3065AN85B	30 x 15 in (750 x 1375mm)	37.1 in (942 mm)	25.0 in (636 mm)	ST
3065AN65B	30 x 15 in (750 x 375 mm)	37.1 in (942 mm)	25.0 in (636 mm)	WT
3066AN	30 x 18 in (750 x 450 mm)	57.7 in (1465 mm)	30.2 in (767 mm)	*
3066AN85B	30 x 18 in (750 x 450 mm)	41.2 in (1046 mm)	24.8 in (631 mm)	ST
3066AN65B	30 x 18 in (750 x 450 mm)	41.2 in (1046 mm)	24.8 in (631 mm)	WT
3067AN	30 x 24 in (750 x 600 mm)	61.8 in (1570 mm)	33.1 in (841 mm)	*
3067AN85B	30 x 24 in (750 x 600 mm)	45.3 in (1151 mm)	26.8 in (681 mm)	ST
3067AN65B	30 x 24 in (750 x 600 mm)	45.3 in (1151 mm)	26.8 in (681 mm)	WT

* = PLAIN END
 ST = SOIL TIGHT
 WT = WATER TIGHT

NOTE: ALL FITTINGS DIMENSIONS ARE FOR REFERENCE ONLY



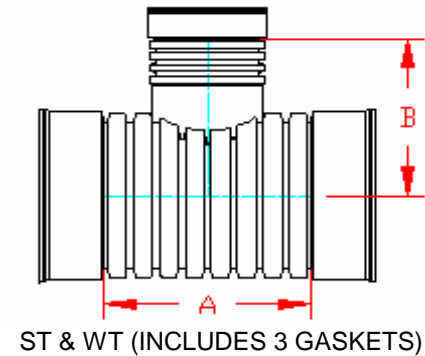
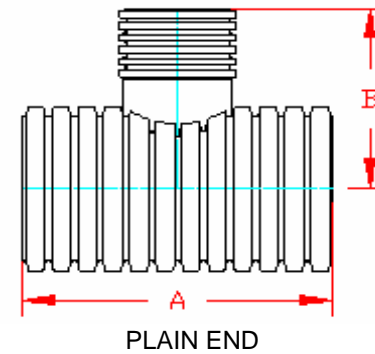
DRAWING #:	2425A	
DRAWN BY:	NJP	09.07.06
APPROVED BY:	JCB	06.26.07
REVISIONS:	NJP	06.14.07

DUAL WALL FABRICATED REDUCING TEES
36"x4" - 36"x10" DIAMETER

PART #	PIPE SIZE	A	B	JOINT
3660AN	36 x 4 in (900 x 100 mm)	36.8 in (933 mm)	26.8 in (681 mm)	*
3660AN85B	36 x 4 in (900 x 100 mm)	15.8 in (400 mm)	24.8 in (631 mm)	ST
3660AN65B	36 x 4 in (900 x 100 mm)	15.8 in (400 mm)	24.8 in (631 mm)	WT
3661AN	36 x 6 in (900 x 150 mm)	42.0 in (1067 mm)	28.1 in (713 mm)	*
3661AN85B	36 x 6 in (900 x 150 mm)	21.0 in (533 mm)	25.8 in (655 mm)	ST
3661AN65B	36 x 6 in (900 x 150 mm)	21.0 in (533 mm)	25.8 in (655 mm)	WT
3662AN	36 x 8 in (900 x 200 mm)	42.0 in (1067 mm)	30.2 in (767 mm)	*
3662AN85B	36 x 8 in (900 x 200 mm)	21.0 in (533 mm)	27.3 in (694 mm)	ST
3662AN65	36 x 8 in (900 x 200 mm)	21.0 in (533 mm)	27.3 in (694 mm)	WT
3663AN	36 x 10 in (900 x 250 mm)	47.3 in (1200 mm)	30.7 in (781 mm)	*
3663AN85B	36 x 10 in (900 x 250 mm)	26.3 in (667 mm)	27.0 in (685 mm)	ST
3663AN65B	36 x 10 in (900 x 250 mm)	26.3 in (667 mm)	27.0 in (685 mm)	WT

* = PLAIN END
 ST = SOIL TIGHT
 WT = WATER TIGHT

NOTE: ALL FITTINGS DIMENSIONS ARE FOR REFERENCE ONLY



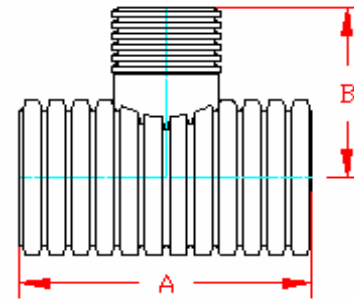
DRAWING #:	2430	
DRAWN BY:	NJP	09.19.06
APPROVED BY:	JCB	06.26.07
REVISIONS:	NJP	06.14.07

DUAL WALL FABRICATED REDUCING TEES
36"x12" - 36"x30" DIAMETER

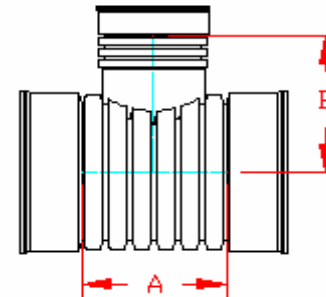
PART #	PIPE SIZE	A	B	JOINT
3664AN	36 x 12 in (900 x 300 mm)	47.3 in (1200 mm)	30.1 in (764 mm)	*
3664AN85B	36 x 12 in (900 x 300 mm)	26.3 in (667 mm)	24.3 in (618 mm)	ST
3664AN65B	36 x 12 in (900 x 300 mm)	26.3 in (667 mm)	24.3 in (618 mm)	WT
3665AN	36 x 15 in (900 x 375 mm)	52.5 in (1334 mm)	33.5 in (852 mm)	*
3665AN85B	36 x 15 in (900 x 1375mm)	31.5 in (800 mm)	25.8 in (655 mm)	ST
3665AN65B	36 x 15 in (900 x 375 mm)	31.5 in (800 mm)	25.8 in (655 mm)	WT
3666AN	36 x 18 in (900 x 450 mm)	57.8 in (1467 mm)	33.5 in (852 mm)	*
3666AN85B	36 x 18 in (900 x 450mm)	36.8 in (933 mm)	25.5 in (648 mm)	ST
3666AN65B	36 x 18 in (900 x 450 mm)	36.8 in (933 mm)	25.5 in (648 mm)	WT
3667AN	36 x 24 in (900 x 600 mm)	63.0 in (1600 mm)	36.4 in (926 mm)	*
3667AN85B	36 x 24 in (900 x 600mm)	42.0 in (1067 mm)	27.0 in (686 mm)	ST
3667AN65B	36 x 24 in (900 x 600 mm)	42.0 in (1067 mm)	27.0 in (686 mm)	WT
3668AN	36 x 30 in (900 x 750 mm)	68.3 in (1734 mm)	37.4 in (949 mm)	*
3668AN85B	36 x 30 in (900 x 750mm)	47.3 in (1200 mm)	25.0 in (635 mm)	ST
3668AN65B	36 x 30 in (900 x 750 mm)	47.3 in (1200 mm)	25.0 in (635 mm)	WT

* = PLAIN END
 ST = SOIL TIGHT
 WT = WATER TIGHT

NOTE: ALL FITTINGS DIMENSIONS ARE FOR REFERENCE ONLY



PLAIN END



ST & WT (INCLUDES 3 GASKETS)



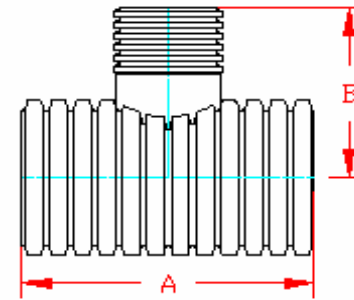
DRAWING #:	2430A	
DRAWN BY:	JCB	04.30.06
APPROVED BY:	JCB	06.26.07
REVISIONS:	NJP	06.14.07

DUAL WALL FABRICATED REDUCING TEES
42"x4" - 42"x12" DIAMETER

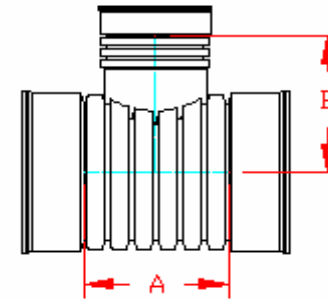
PART #	PIPE SIZE	A	B	JOINT
4260AN	42 x 4 in (1050 x 100 mm)	36.3 in (923 mm)	29.5 in (750 mm)	*
4260AN85B	42 x 4 in (1050 x 100 mm)	15.6 in (395 mm)	27.6 in (700 mm)	ST
4260AN65B	42 x 4 in (1050 x 100 mm)	15.6 in (395 mm)	27.6 in (700 mm)	WT
4261AN	42 x 6 in (1050 x 150 mm)	41.5 in (1055 mm)	30.8 in (783 mm)	*
4261AN85B	42 x 6 in (1050 x 150 mm)	20.8 in (527 mm)	28.5 in (724 mm)	ST
4261AN65B	42 x 6 in (1050 x 150 mm)	20.8 in (527 mm)	28.5 in (724 mm)	WT
4262AN	42 x 8 in (1050 x 200 mm)	41.5 in (1055 mm)	33.0 in (837 mm)	*
4262AN85B	42 x 8 in (1050 x 200 mm)	20.8 in (527 mm)	30.1 in (764 mm)	ST
4262AN65B	42 x 8 in (1050 x 200 mm)	20.8 in (527 mm)	30.1 in (764 mm)	WT
4263AN	42 x 10 in (1050 x 250 mm)	46.7 in (1186 mm)	33.6 in (852 mm)	*
4263AN85B	42 x 10 in (1050 x 250 mm)	26.0 in (659 mm)	29.8 in (756 mm)	ST
4263AN65B	42 x 10 in (1050 x 250 mm)	26.0 in (659 mm)	29.8 in (756 mm)	WT
4264AN	42 x 12 in (1050 x 300 mm)	46.7 in (1186 mm)	33.2 in (843 mm)	*
4264AN85B	42 x 12 in (1050 x 300 mm)	26.0 in (659 mm)	27.4 in (696 mm)	ST
4264AN65B	42 x 12 in (1050 x 300 mm)	26.0 in (659 mm)	27.4 in (696 mm)	WT

* = PLAIN END
 ST = SOIL TIGHT
 WT = WATER TIGHT

NOTE: ALL FITTINGS DIMENSIONS ARE FOR REFERENCE ONLY



PLAIN END



ST & WT (INCLUDES 3 GASKETS)



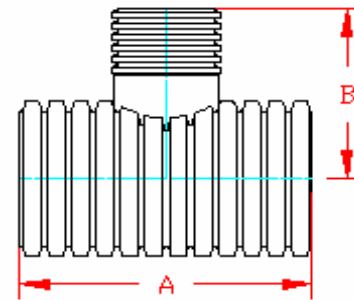
DRAWING #:	2435	
DRAWN BY:	JCB	04.30.06
APPROVED BY:	JCB	06.26.07
REVISIONS:	NJP	06.14.07

DUAL WALL FABRICATED REDUCING TEES
42"x15" - 42"x36" DIAMETER

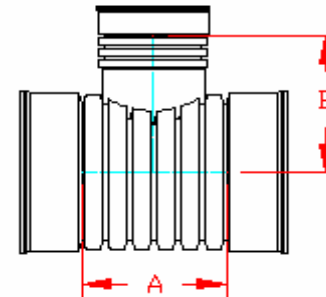
PART #	PIPE SIZE	A	B	JOINT
4265AN	42 x 15 in (1050 x 375 mm)	51.9 in (1318 mm)	36.6 in (930 mm)	*
4265AN85B	42 x 15 in (1050 x 375mm)	31.1 in (791 mm)	28.9 in (733 mm)	ST
4265AN65B	42 x 15 in (1050 x 375 mm)	31.1 in (791 mm)	28.9 in (733 mm)	WT
4266AN	42 x 18 in (1050 x 450 mm)	57.1 in (1450 mm)	36.6 in (930 mm)	*
4266AN85B	42 x 18 in (1050 x 450mm)	36.3 in (923 mm)	28.6 in (726 mm)	ST
4266AN65	42 x 18 in (1050 x 450 mm)	36.3 in (923 mm)	28.6 in (726 mm)	WT
4267AN	42 x 24 in (1050 x 600 mm)	62.3 in (1582 mm)	39.5 in (1004 mm)	*
4267AN85B	42 x 24 in (1050 x 600 mm)	41.5 in (1055 mm)	30.1 in (764 mm)	ST
4267AN65B	42 x 24 in (1050 x 600 mm)	41.5 in (1055 mm)	30.1 in (764 mm)	WT
4268AN	42 x 30 in (1050 x 750 mm)	67.5 in (1714 mm)	40.5 in (1029 mm)	*
4268AN85B	42 x 30 in (1050 x 750 mm)	46.7 in (1187 mm)	28.1 in (715 mm)	ST
4268AN65B	42 x 30 in (1050 x 750 mm)	46.7 in (1187 mm)	28.1 in (715 mm)	WT
4269AN	42 x 36 in (1050 x 900 mm)	77.9 in (1977 mm)	44.5 in (1131 mm)	*
4269AN85B	42 x 36 in (1050 x 900 mm)	57.1 in (1450 mm)	28.8 in (731 mm)	ST
4269AN65B	42 x 36 in (1050 x 900 mm)	57.1 in (1450 mm)	28.8 in (731 mm)	WT

* = PLAIN END
 ST = SOIL TIGHT
 WT = WATER TIGHT

NOTE: ALL FITTINGS DIMENSIONS ARE FOR REFERENCE ONLY



PLAIN END



ST & WT (INCLUDES 3 GASKETS)



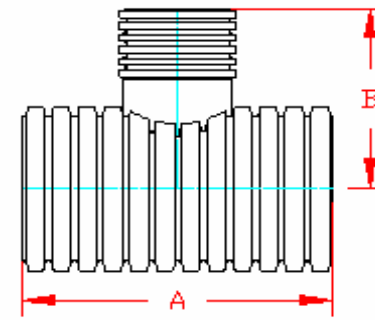
DRAWING #:	2435A	
DRAWN BY:	NJP	09.19.06
APPROVED BY:	JCB	06.26.07
REVISIONS:	NJP	06.14.07

DUAL WALL FABRICATED REDUCING TEES
48"x4" - 48"x10" DIAMETER

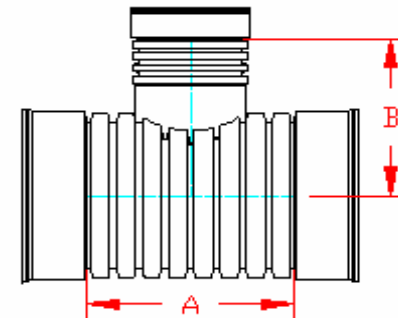
PART #	PIPE SIZE	A	B	JOINT
4860AN	48 x 4 in (1200 x 100 mm)	36.8 in (933 mm)	32.7 in (829 mm)	*
4860AN85B	48 x 4 in (1200 x 100 mm)	15.8 in (400 mm)	30.7 in (779 mm)	ST
4860AN65B	48 x 4 in (1200 x 100 mm)	15.8 in (400 mm)	30.7 in (779 mm)	WT
4861AN	48 x 6 in (1200 x 150 mm)	42.0 in (1067 mm)	34.0 in (863 mm)	*
4861AN85B	48 x 6 in (1200 x 150 mm)	21.0 in (533 mm)	31.7 in (804 mm)	ST
4861AN65B	48 x 6 in (1200 x 150 mm)	21.0 in (533 mm)	31.7 in (804 mm)	WT
4862AN	48 x 8 in (1200 x 200 mm)	42.0 in (1067 mm)	36.1 in (918 mm)	*
4862AN85B	48 x 8 in (1200 x 200 mm)	21.0 in (533 mm)	33.3 in (845 mm)	ST
4862AN65B	48 x 8 in (1200 x 200 mm)	21.0 in (533 mm)	33.3 in (845 mm)	WT
4863AN	48 x 10 in (1200 x 250 mm)	47.3 in (1200 mm)	36.8 in (933 mm)	*
4863AN85B	48 x 10 in (1200 x 250 mm)	26.3 in (667 mm)	33.0 in (837 mm)	ST
4863AN65N	48 x 10 in (1200 x 250 mm)	26.3 in (667 mm)	33.0 in (837 mm)	WT

* = PLAIN END
 ST = SOIL TIGHT
 WT = WATER TIGHT

NOTE: ALL FITTINGS DIMENSIONS ARE FOR REFERENCE ONLY



PLAIN END



ST & WT (INCLUDES 3 GASKETS)



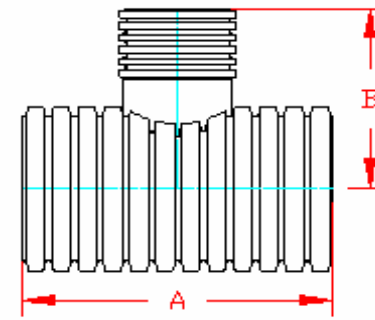
DRAWING #:	2440	
DRAWN BY:	JCB	05.01.06
APPROVED BY:	JCB	06.26.07
REVISIONS:	NJP	06.14.07

DUAL WALL FABRICATED REDUCING TEES
48"x12" - 48"x24" DIAMETER

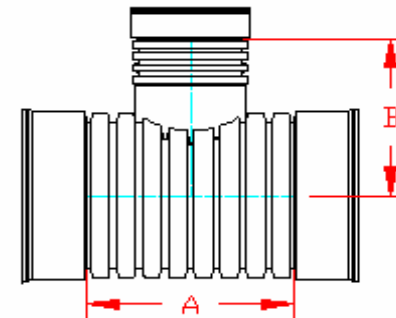
PART #	PIPE SIZE	A	B	JOINT
4864AN	48 x 12 in (1200 x 300 mm)	47.3 in (1200 mm)	36.2 in (919 mm)	*
4864AN85B	48 x 12 in (1200 x 300 mm)	26.3 in (667 mm)	30.4 in (773 mm)	ST
4864AN65B	48 x 12 in (1200 x 300 mm)	26.3 in (667 mm)	30.4 in (773 mm)	WT
4865AN	48 x 15 in (1200 x 375 mm)	52.5 in (1334 mm)	39.6 in (1007 mm)	*
4865AN85B	48 x 15 in (1200 x 375mm)	31.5 in (800 mm)	31.9 in (809 mm)	ST
4865AN65B	48 x 15 in (1200 x 375 mm)	31.5 in (800 mm)	31.9 in (809 mm)	WT
4866AN	48 x 18 in (1200 x 450 mm)	57.8 in (1467 mm)	39.6 in (1007 mm)	*
4866AN85B	48 x 18 in (1200 x 450mm)	36.8 in (933 mm)	31.6 in (802 mm)	ST
4866AN65B	48 x 18 in (1200 x 450 mm)	36.8 in (933 mm)	31.6 in (802 mm)	WT
4867AN	48 x 24 in (1200 x 600 mm)	63.0 in (1600 mm)	42.5 in (1080 mm)	*
4867AN85B	48 x 24 in (1200 x 600mm)	42.0 in (1067 mm)	33.1 in (840 mm)	ST
4867AN65B	48 x 24 in (1200 x 600 mm)	42.0 in (1067 mm)	33.1 in (840 mm)	WT

* = PLAIN END
 ST = SOIL TIGHT
 WT = WATER TIGHT

NOTE: ALL FITTINGS DIMENSIONS ARE FOR REFERENCE ONLY



PLAIN END



ST & WT (INCLUDES 3 GASKETS)

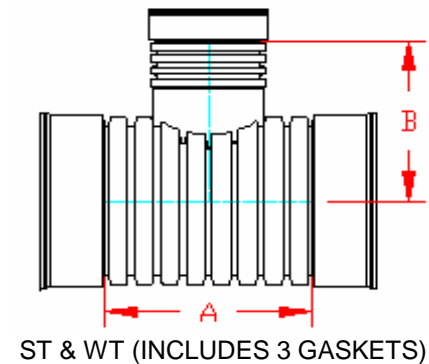
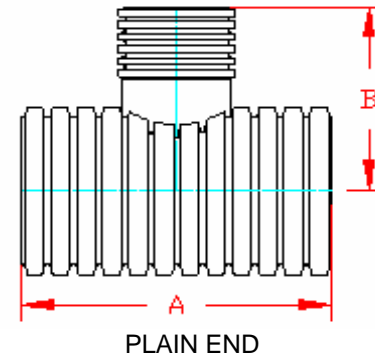


DRAWING #:	2440A	
DRAWN BY:	JCB	05.01.06
APPROVED BY:	JCB	06.26.07
REVISIONS:	NJP	06.14.07

DUAL WALL FABRICATED REDUCING TEES
48"x30" - 48"x42" DIAMETER

PART #	PIPE SIZE	A	B	JOINT
4868AN	48 x 30 in (1200 x 750 mm)	68.3 in (1734 mm)	43.5 in (1105 mm)	*
4868AN85B	48 x 30 in (1200 x 750mm)	47.3 in (1200 mm)	31.1 in (791 mm)	ST
4868AN65B	48 x 30 in (1200 x 750 mm)	47.3 in (1200 mm)	31.1 in (791 mm)	WT
4869AN	48 x 36 in (1200 x 900 mm)	73.5 in (1867 mm)	47.5 in (1208 mm)	*
4869AN85B	48 x 36 in (1200 x 900 mm)	52.5 in (1334 mm)	31.8 in (807 mm)	ST
4869AN65B	48 x 36 in (1200 x 900 mm)	52.5 in (1334 mm)	31.8 in (807 mm)	WT
4840AN	48 x 42 in (1200 x 1050 mm)	84.0 in (2134 mm)	47.8 in (1214 mm)	*
4840AN85B	48 x 42 in (1200 x 1050 mm)	63.0 in (1600 mm)	32.2 in (819 mm)	ST
4840AN65B	48 x 42 in (1200 x 1050 mm)	63.0 in (1600 mm)	32.2 in (819 mm)	WT

* = PLAIN END
 ST = SOIL TIGHT
 WT = WATER TIGHT



NOTE: ALL FITTINGS DIMENSIONS ARE FOR REFERENCE ONLY



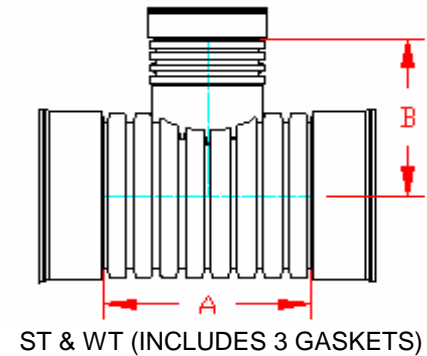
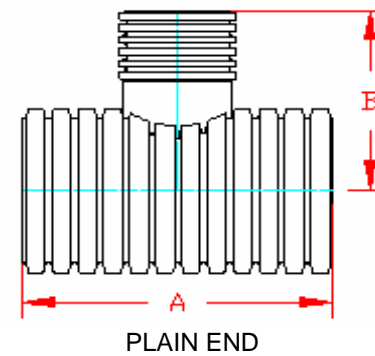
DRAWING #:	2440B	
DRAWN BY:	JCB	05.01.06
APPROVED BY:	JCB	06.26.07
REVISIONS:	NJP	06.14.07

DUAL WALL FABRICATED REDUCING TEES
60"x4" - 60"x10" DIAMETER

PART #	PIPE SIZE	A	B	JOINT
6060AN	60 x 4 in (1500 x 100 mm)	42.0 in (1067 mm)	39.0 in (991 mm)	*
6060AN85B	60 x 4 in (1500 x 100 mm)	18.0 in (457 mm)	37.0 in (940 mm)	ST
6060AN65B	60 x 4 in (1500 x 100 mm)	18.0 in (457 mm)	37.0 in (940 mm)	WT
6061AN	60 x 6 in (1500 x 150 mm)	48.0 in (1219 mm)	40.3 in (1024 mm)	*
6061AN85B	60 x 6 in (1500 x 150 mm)	24.0 in (610 mm)	38.0 in (965 mm)	ST
6061AN65B	60 x 6 in (1500 x 150 mm)	24.0 in (610 mm)	38.0 in (965 mm)	WT
6062AN	60 x 8 in (1500 x 200 mm)	48.0 in (1219 mm)	42.5 in (1079 mm)	*
6062AN85B	60 x 8 in (1500 x 200 mm)	24.0 in (610 mm)	39.6 in (1006 mm)	ST
6062AN65B	60 x 8 in (1500 x 200 mm)	24.0 in (610 mm)	39.6 in (1006 mm)	WT
6063AN	60 x 10 in (1500 x 250 mm)	48.0 in (1219 mm)	43.1 in (1095 mm)	*
6063AN85B	60 x 10 in (1500 x 250 mm)	24.0 in (610 mm)	39.3 in (999 mm)	ST
6063AN65B	60 x 10 in (1500 x 250 mm)	24.0 in (610 mm)	39.3 in (999 mm)	WT

* = PLAIN END
 ST = SOIL TIGHT
 WT = WATER TIGHT

NOTE: ALL FITTINGS DIMENSIONS ARE FOR REFERENCE ONLY



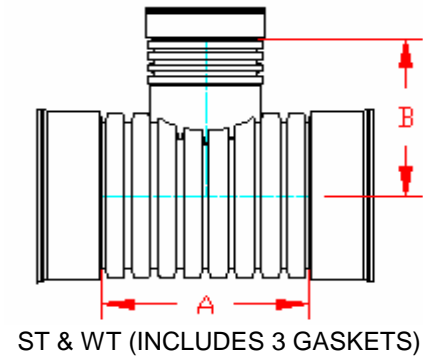
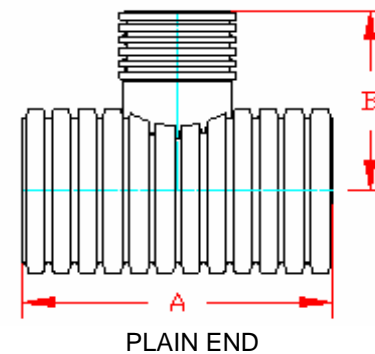
DRAWING #:	2445	
DRAWN BY:	JCB	05.01.06
APPROVED BY:	JCB	06.26.07
REVISIONS:	NJP	06.14.07

DUAL WALL FABRICATED REDUCING TEES
60"x12" - 60"x24" DIAMETER

PART #	PIPE SIZE	A	B	JOINT
6064AN	60 x 12 in (1500 x 300 mm)	54.0 in (1372 mm)	42.5 in (1080 mm)	*
6064AN85B	60 x 12 in (1500 x 300 mm)	30.0 in (762 mm)	36.8 in (934 mm)	ST
6064AN65B	60 x 12 in (1500 x 300 mm)	30.0 in (762 mm)	36.8 in (934 mm)	WT
6065AN	60 x 15 in (1500 x 375 mm)	54.0 in (1372 mm)	46.0 in (1168 mm)	*
6065AN85B	60 x 15 in (1500 x 375mm)	30.0 in (762 mm)	38.2 in (971 mm)	ST
6065AN65B	60 x 15 in (1500 x 375 mm)	30.0 in (762 mm)	38.2 in (971 mm)	WT
6066AN	60 x 18 in (1500 x 450 mm)	60.0 in (1524 mm)	46.0 in (1168 mm)	*
6066AN85B	60 x 18 in (1500 x 450mm)	36.0 in (914 mm)	37.9 in (964 mm)	ST
6066AN65B	60 x 18 in (1500 x 450 mm)	36.0 in (914 mm)	37.9 in (964 mm)	WT
6067AN	60 x 24 in (1500 x 600 mm)	66.0 in (1676 mm)	48.9 in (1242 mm)	*
6067AN85B	60 x 24 in (1500 x 600mm)	42.0 in (1067 mm)	39.4 in (1002 mm)	ST
6067AN65B	60 x 24 in (1500 x 600 mm)	42.0 in (1067 mm)	39.4 in (1002 mm)	WT

* = PLAIN END
 ST = SOIL TIGHT
 WT = WATER TIGHT

NOTE: ALL FITTINGS DIMENSIONS ARE FOR REFERENCE ONLY



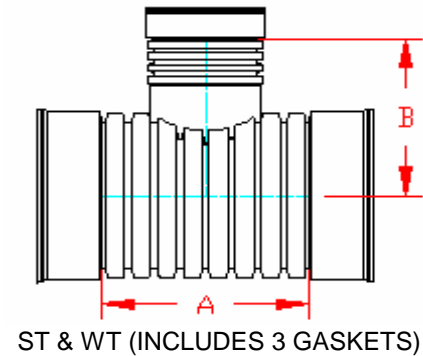
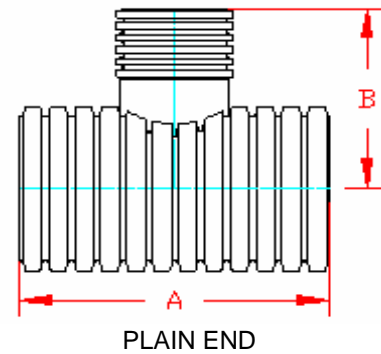
DRAWING #:	2445A	
DRAWN BY:	JCB	05.01.06
APPROVED BY:	JCB	06.26.07
REVISIONS:	NJP	06.14.07

DUAL WALL FABRICATED REDUCING TEES
60"x30" - 60"x48" DIAMETER

PART #	PIPE SIZE	A	B	JOINT
6068AN	60 x 30 in (1500 x 750 mm)	72.0 in (1829 mm)	49.9 in (1266 mm)	*
6068AN85B	60 x 30 in (1500 x 750 mm)	48.0 in (1219 mm)	37.5 in (952 mm)	ST
6068AN65B	60 x 30 in (1500 x 750 mm)	48.0 in (1219 mm)	37.5 in (952 mm)	WT
6069AN	60 x 36 in (1500 x 900 mm)	78.0 in (1981 mm)	53.9 in (1369 mm)	*
6069AN85B	60 x 36 in (1500 x 900 mm)	54.0 in (1372 mm)	37.1 in (943 mm)	ST
6069AN65B	60 x 36 in (1500 x 900 mm)	54.0 in (1372 mm)	38.1 in (969 mm)	WT
6040AN	60 x 42 in (1500 x 1050 mm)	84.0 in (2134 mm)	54.2 in (1375 mm)	*
6040AN85B	60 x 42 in (1500 x 1050 mm)	60.0 in (1524 mm)	38.6 in (980 mm)	ST
6040AN65B	60 x 42 in (1500 x 1050 mm)	60.0 in (1524 mm)	38.6 in (980 mm)	WT
6041AN	60 x 48 in (1500 x 1200 mm)	90.0 in (2286 mm)	57.2 in (1452 mm)	*
6041AN85B	60 x 48 in (1500 x 1200 mm)	66.0 in (1676 mm)	41.4 in (1052 mm)	ST
6041AN65B	60 x 48 in (1500 x 1200 mm)	66.0 in (1676 mm)	41.4 in (1052 mm)	WT

* = PLAIN END
 ST = SOIL TIGHT
 WT = WATER TIGHT

NOTE: ALL FITTINGS DIMENSIONS ARE FOR REFERENCE ONLY

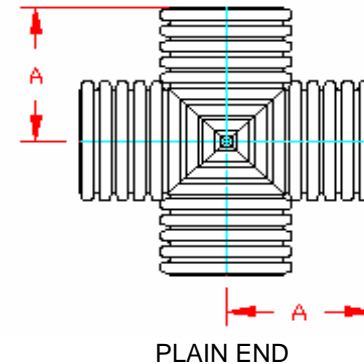


DRAWING #:	2445B	
DRAWN BY:	JCB	05.01.06
APPROVED BY:	JCB	06.26.07
REVISIONS:	NJP	06.14.07

DUAL WALL FABRICATED CROSS TEE
4" - 24" DIAMETER

PART #	PIPE SIZE	A	JOINT
0430AN	4 in (100 mm)	4.9 in (125 mm)	*
0631AN	6 in (150 mm)	7.0 in (177 mm)	*
0832AN	8 in (200 mm)	8.6 in (219 mm)	*
1033AN	10 in (250 mm)	12.0 in (304 mm)	*
1234AN	12 in (300 mm)	16.3 in (415 mm)	*
1535AN	15 in (375 mm)	19.4 in (494 mm)	*
1836AN	18 in (450 mm)	24.1 in (613 mm)	*
2437AN	24 in (600 mm)	29.9 in (760 mm)	*

* = PLAIN END



NOTE: ALL FITTINGS DIMENSIONS ARE FOR REFERENCE ONLY

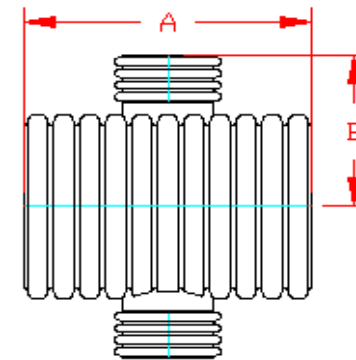


DRAWING #:	2450	
DRAWN BY:	JCB	04.06.06
APPROVED BY:	JCB	06.26.07
REVISIONS:	NJP	06.14.07

SMALL DIAMETER DUAL WALL FABRICATED REDUCING CROSS TEES
6" X 4" - 12" X 10" DIAMETER

REDUCING CROSS TEES


PART #	PIPE SIZE	A	B	C	JOINT
** 0630AN	6 x 4 in (150 x 100 mm)	14.7 in (374 mm)	9.9 in (252 mm)	14.7 in (374 mm)	*
** 0830AN	8 x 4 in (200 x 100 mm)	17.3 in (439 mm)	11.2 in (285 mm)	17.3 in (439 mm)	*
** 0831AN	8 x 6 in (200 x 150 mm)	20.2 in (512 mm)	11.5 in (293 mm)	20.2 in (512 mm)	*
** 1030AN	10 x 4 in (250 x 100 mm)	20.2 in (512 mm)	11.3 in (286 mm)	20.2 in (512 mm)	*
** 1031AN	10 x 6 in (250 x 150 mm)	20.2 in (512 mm)	13.1 in (332 mm)	20.2 in (512 mm)	*
** 1032AN	10 x 8 in (250 x 200 mm)	22.7 in (576 mm)	15.2 in (385 mm)	22.7 in (576 mm)	*
1230AN	12 x 4 in (300 x 100 mm)	30.7 in (780 mm)	13.6 in (345 mm)	30.7 in (780 mm)	*
1231AN	12 x 6 in (300 x 150 mm)	30.7 in (780 mm)	14.5 in (368 mm)	30.7 in (780 mm)	*
1232AN	12 x 8 in (300 x 200 mm)	30.7 in (780 mm)	17.0 in (432 mm)	30.7 in (780 mm)	*
1233AN	12 x 10 in (300 x 250 mm)	30.7 in (780 mm)	16.4 in (416 mm)	30.7 in (780 mm)	*



** LIMITED AVAILABILITY. PLEASE SEE INJECTION MOLDED FITTING SECTION FOR OTHER AVAILABLE FITTINGS

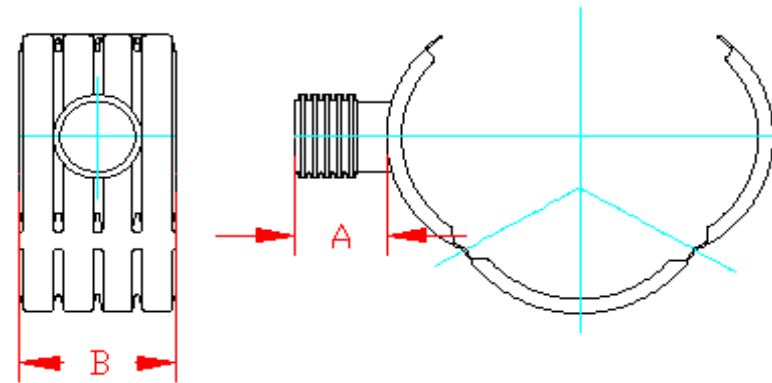
* = PLAIN END

NOTE: ALL FITTINGS DIMENSIONS ARE FOR REFERENCE ONLY

	DRAWING #:	2455
	DRAWN BY:	JCB 05.09.07
	APPROVED BY:	JCB 06.28.07
	REVISIONS:	TJR 1/29/2010

DUAL WALL FABRICATED REDUCING SADDLE TEE 8" - 15" DIAMETER

PART #	PIPE SIZE	A	B
** 0841AN	8 x 4 in (200 x 100 mm)	6.4 in (163 mm)	6.0 in (152 mm)
** 0841AN	8 x 6 in (200 x 150 mm)	7.8 in (198 mm)	6.0 in (152 mm)
** 1040AN	10 x 4 in (250 x 100 mm)	6.2 in (157 mm)	5.5 in (140 mm)
** 1041AN	10 x 6 in (250 x 150 mm)	7.7 in (196 mm)	11.0 in (279 mm)
** 1042AN	10 x 8 in (250 x 200 mm)	11.0 in (279 mm)	11.0 in (279 mm)
1240AN	12 x 4 in (300 x 100 mm)	5.8 in (147 mm)	7.8 in (197 mm)
1241AN	12 x 6 in (300 x 150 mm)	7.2 in (183 mm)	7.8 in (197 mm)
1242AN	12 x 8 in (300 x 200 mm)	10.6 in (269 mm)	15.8 in (400 mm)
1540AN	15 x 4 in (375 x 100 mm)	5.7 in (145 mm)	10.5 in (267 mm)
1541AN	15 x 6 in (375 x 150 mm)	7.1 in (180 mm)	10.5 in (267 mm)
1542AN	15 x 8 in (375 x 200 mm)	10.4 in (264 mm)	10.5 in (267 mm)



** LIMITED AVAILABILITY. PLEASE SEE INJECTION MOLDED FITTING SECTION FOR OTHER AVAILABLE FITTINGS

NOTE: ALL FITTINGS DIMENSIONS ARE FOR REFERENCE ONLY

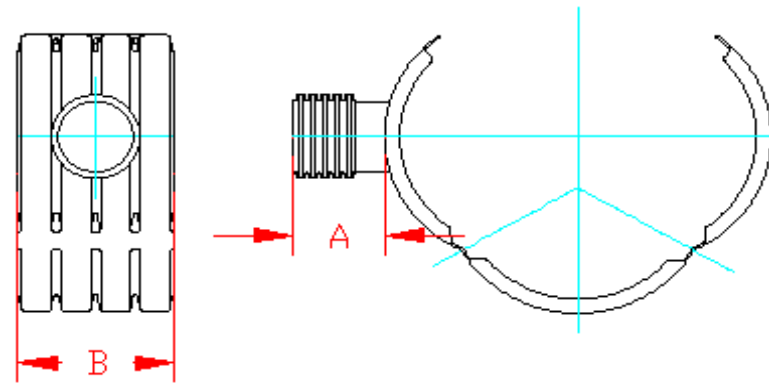


ADVANCED DRAINAGE SYSTEMS, INC.

DRAWING #:	2460	
DRAWN BY:	JCB	04.06.06
APPROVED BY:	JCB	06.26.07
REVISIONS:	TJR	5/19/2010

DUAL WALL FABRICATED REDUCING SADDLE TEE
18" - 24" DIAMETER

PART #	PIPE SIZE	A	B
1840AN	18 x 4 (450 x 100 mm)	5.4 in (137 mm)	10.5 in (267 mm)
1841AN	18 x 6 (450 x 150 mm)	6.8 in (173 mm)	10.5 in (267 mm)
1842AN	18 x 8 (450 x 200 mm)	10.2 in (259 mm)	10.5 in (267 mm)
2440AN	24 x 4 in (600 x 100 mm)	5.1 in (130 mm)	12.6 in (321 mm)
2441AN	24 x 6 in (600 x 150 mm)	6.5 in (165 mm)	12.6 in (321 mm)
2442AN	24 x 8 in (600 x 200 mm)	9.9 in (251 mm)	12.6 in (321 mm)
2443AN	24 x 10 in (600 x 250 mm)	10.7 in (272 mm)	12.6 in (320 mm)



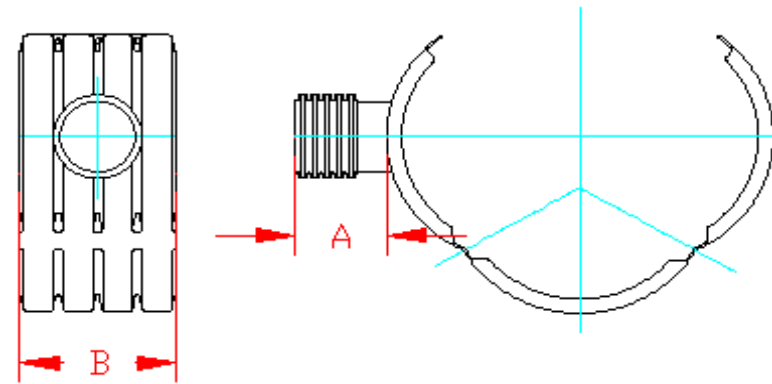
NOTE: ALL FITTINGS DIMENSIONS ARE FOR REFERENCE ONLY



DRAWING #:	2465	
DRAWN BY:	JCB	04.06.06
APPROVED BY:	JCB	06.26.07
REVISIONS:	TJR	5/19/2010

**DUAL WALL FABRICATED REDUCING SADDLE TEE
30" - 36" DIAMETER**

PART #	PIPE SIZE	A	B
3040AN	30 x 4 in (750 x 100 mm)	5.4 in (137 mm)	16.5 in (419 mm)
3041AN	30 x 6 in (750 x 150 mm)	6.8 in (173 mm)	16.5 in (419 mm)
3042AN	30 x 8 in (750 x 200 mm)	9.2 in (234 mm)	16.5 in (419 mm)
3043AN	30 x 10 in (750 x 250 mm)	10.0 in (254 mm)	16.5 in (419 mm)
3044AN	30 x 12 in (750 x 300 mm)	10.0 in (254 mm)	16.5 in (419 mm)
3045AN	30 x 15 in (750 x 375 mm)	13.0 in (330 mm)	16.5 in (419 mm)
3640AN	36 x 4 in (900 x 100 mm)	5.1 in (130 mm)	20.8 in (528 mm)
3641AN	36 x 6 in (900 x 150 mm)	6.5 in (165 mm)	20.8 in (528 mm)
3642AN	36 x 8 in (900 x 200 mm)	9.2 in (234 mm)	20.8 in (528 mm)
3643AN	36 x 10 in (900 x 250 mm)	9.7 in (246 mm)	20.8 in (528 mm)
3644AN	36 x 12 in (900 x 300 mm)	10.0 in (254 mm)	20.8 in (528 mm)
3645AN	36 x 15 in (900 x 375 mm)	13.0 in (330 mm)	20.8 in (528 mm)
3646AN	36 x 18 in (900 x 450 mm)	13.0 in (330 mm)	41.6 in (1057 mm)



NOTE: ALL FITTINGS DIMENSIONS ARE FOR REFERENCE ONLY



ADVANCED DRAINAGE SYSTEMS, INC.

DRAWING #:	2470	
DRAWN BY:	JCB	07.13.06
APPROVED BY:	JCB	06.26.07
REVISIONS:	TJR	5/19/2010

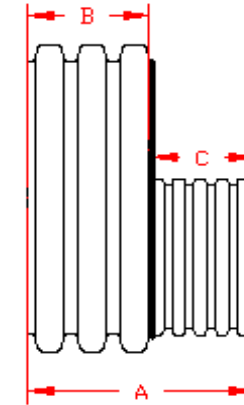
DUAL WALL FABRICATED REDUCERS 6"×4" - 12"×10" DIAMETER

PART #	PIPE SIZE	A	B	C	JOINT
** 0670AN	6 x 4 in (150 x 100 mm)	11.4 in (291 mm)	6.2 in (157 mm)	5.3 in (133 mm)	*
** 0870AN	8 x 4 in (200 x 100 mm)	12.0 in (304 mm)	6.7 in (171 mm)	5.3 in (135 mm)	*
** 0871AN	8 x 6 in (200 x 150 mm)	12.9 in (328 mm)	6.7 in (171 mm)	6.2 in (157 mm)	*
** 1070AN	10 x 4 in (250 x 100 mm)	12.8 in (325 mm)	7.6 in (192 mm)	5.3 in (133 mm)	*
** 1071AN	10 x 6 in (250 x 150 mm)	13.8 in (349 mm)	7.6 in (192 mm)	6.2 in (157 mm)	*
** 1072AN	10 x 8 in (250 x 200 mm)	14.3 in (363 mm)	7.6 in (192 mm)	6.7 in (171 mm)	*
1270AN	12 x 4 in (300 x 100 mm)	11.0 in (280 mm)	5.8 in (146 mm)	5.3 in (133 mm)	*
1270AN65B	12 x 4 in (300 x 100 mm)	8.9 in (226 mm)	6.5 in (165 mm)	2.4 in (60 mm)	WT
1271AN	12 x 6 in (300 x 150 mm)	12.0 in (304 mm)	5.8 in (146 mm)	6.2 in (157 mm)	*
1271AN65B	12 x 6 in (300 x 150 mm)	10.0 in (254 mm)	6.5 in (165 mm)	3.5 in (89 mm)	WT
1272AN	12 x 8 in (300 x 200 mm)	12.5 in (317 mm)	5.8 in (146 mm)	6.7 in (171 mm)	*
1272AN65B	12 x 8 in (300 x 200 mm)	10.8 in (273 mm)	6.5 in (165 mm)	4.3 in (108 mm)	WT
1273AN	12 x 10 in (300 x 250 mm)	13.3 in (338 mm)	5.8 in (146 mm)	7.6 in (192 mm)	*
1273AN65B	12 x 10 in (300 x 250 mm)	11.8 in (298 mm)	6.5 in (165 mm)	5.3 in (133 mm)	WT

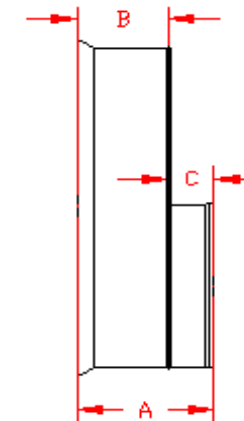
* = PLAIN END
WT = WATER TIGHT

** LIMITED AVAILABILITY. PLEASE SEE INJECTION MOLDED FITTING SECTION FOR OTHER AVAILABLE FITTINGS

NOTE: ALL FITTINGS DIMENSIONS ARE FOR REFERENCE ONLY



PLAIN END



ST & WT (INCLUDES 2 GASKETS)



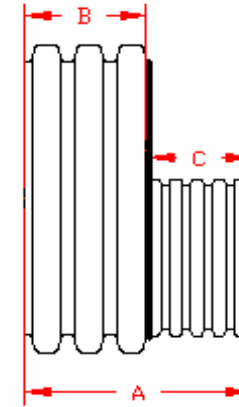
DRAWING #:	2500	
DRAWN BY:	JCB	06.05.06
APPROVED BY:	JCB	06.26.07
REVISIONS:	TJR	1/29/2010

DUAL WALL FABRICATED REDUCERS
15"x4" - 15"x12" DIAMETER

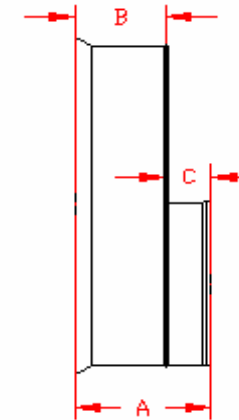
PART #	PIPE SIZE	A	B	C	JOINT
1570AN	15 x 4 in (375 x 100 mm)	13.0 in (331 mm)	7.8 in (197 mm)	5.3 in (133 mm)	*
1570AN65B	15 x 4 in (375 x 100 mm)	10.1 in (257 mm)	7.8 in (197 mm)	2.4 in (60 mm)	WT
1571AN	15 x 6 in (375 x 150 mm)	14.0 in (355 mm)	7.8 in (197 mm)	6.2 in (157 mm)	*
1571AN65B	15 x 6 in (375 x 150 mm)	11.3 in (286 mm)	7.8 in (197 mm)	3.5 in (89 mm)	WT
1572AN	15 x 8 in (375 x 200 mm)	14.5 in (368 mm)	7.8 in (197 mm)	6.7 in (171 mm)	*
1572AN65B	15 x 8 in (375 x 200 mm)	12.0 in (305 mm)	7.8 in (197 mm)	4.3 in (108 mm)	WT
1573AN	15 x 10 in (375 x 250 mm)	15.3 in (389 mm)	7.8 in (197 mm)	7.6 in (192 mm)	*
1573AN65B	15 x 10 in (375 x 250 mm)	13.0 in (330 mm)	7.8 in (197 mm)	5.3 in (133 mm)	WT
1574AN	15 x 12 in (375 x 300 mm)	17.0 in (431 mm)	7.8 in (197 mm)	9.2 in (234 mm)	*
1574AN85B	15 x 12 in (375 x 300 mm)	14.3 in (362 mm)	7.8 in (197 mm)	6.5 in (165 mm)	ST
1574AN65B	15 x 12 in (375 x 300 mm)	14.3 in (362 mm)	7.8 in (197 mm)	6.5 in (165 mm)	WT

* = PLAIN END
 ST = SOIL TIGHT
 WT = WATER TIGHT

NOTE: ALL FITTINGS DIMENSIONS ARE FOR REFERENCE ONLY



PLAIN END



ST & WT (INCLUDES 2 GASKETS)



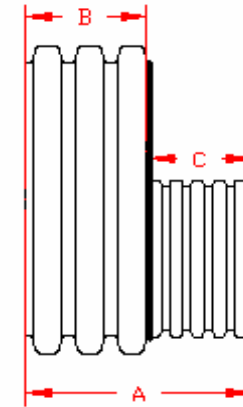
DRAWING #:	2505	
DRAWN BY:	JCB	06.05.06
APPROVED BY:	JCB	06.26.07
REVISIONS:	NJP	06.15.07

DUAL WALL FABRICATED REDUCERS 18"x4" - 18"15" DIAMETER

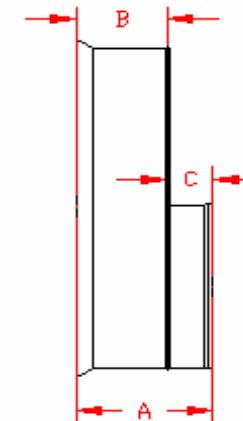
PART #	PIPE SIZE	A	B	C	JOINT
1870AN	18 x 4 in (450 x 100 mm)	13.3 in (338 mm)	8.0 in (203 mm)	5.3 in (133 mm)	*
1870AN65B	18 x 4 in (450 x 100 mm)	11.3 in (286 mm)	8.9 in (226 mm)	2.4 in (60 mm)	WT
1871AN	18 x 6 in (450 x 150 mm)	14.2 in (361 mm)	8.0 in (204 mm)	6.2 in (157 mm)	*
1871AN65B	18 x 6 in (450 x 150 mm)	12.4 in (314 mm)	8.9 in (226 mm)	3.5 in (89 mm)	WT
1872AN	18 x 8 in (450 x 200 mm)	14.8 in (375 mm)	8.0 in (204 mm)	6.7 in (171 mm)	*
1872AN65B	18 x 8 in (450 x 200 mm)	13.1 in (334 mm)	8.9 in (226 mm)	4.3 in (108 mm)	WT
1873AN	18 x 10 in (450 x 250 mm)	15.6 in (396 mm)	8.0 in (204 mm)	7.6 in (192 mm)	*
1873AN65B	18 x 10 in (450 x 250 mm)	14.1 in (359 mm)	8.9 in (226 mm)	5.3 in (133 mm)	WT
1874AN	18 x 12 in (450 x 300 mm)	17.2 in (438 mm)	8.0 in (204 mm)	9.2 in (234 mm)	*
1874AN85B	18 x 12 in (450 x 300 mm)	15.4 in (391 mm)	8.9 in (226 mm)	6.5 in (165 mm)	ST
1874AN65B	18 x 12 in (450 x 300 mm)	15.4 in (391 mm)	8.9 in (226 mm)	6.5 in (165 mm)	WT
1875AN	18 x 15 in (450 x 1375mm)	20.7 in (526 mm)	8.0 in (204 mm)	12.7 in (321 mm)	*
1875AN85B	18 x 15 in (450 x 375 mm)	16.6 in (422 mm)	8.9 in (226 mm)	7.8 in (197 mm)	ST
1875AN65B	18 x 15 in (450 x 1375mm)	16.6 in (422 mm)	8.9 in (226 mm)	7.8 in (197 mm)	WT

* = PLAIN END
ST = SOIL TIGHT
WT = WATER TIGHT

NOTE: ALL FITTINGS DIMENSIONS ARE FOR REFERENCE ONLY



PLAIN END



ST & WT (INCLUDES 2 GASKETS)



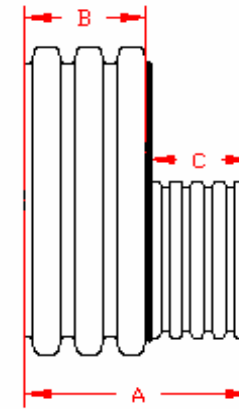
DRAWING #:	2510	
DRAWN BY:	JCB	09.12.06
APPROVED BY:	JCB	06.26.07
REVISIONS:	NJP	06.15.07

DUAL WALL FABRICATED REDUCERS
24"x4" - 24"x12" DIAMETER

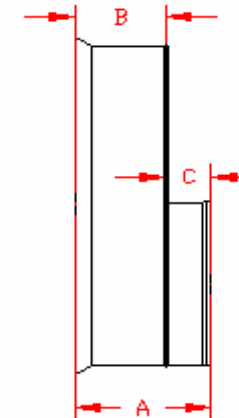
PART #	PIPE SIZE	A	B	C	JOINT
2470AN	24 x 4 in (600 x 100 mm)	14.7 in (373 mm)	9.5 in (240 mm)	5.3 in (133 mm)	*
2470AN65B	24 x 4 in (600 x 100 mm)	9.4 in (238 mm)	7.0 in (178 mm)	2.4 in (60 mm)	WT
2471AN	24 x 6 in (600 x 150 mm)	15.6 in (397 mm)	9.5 in (240 mm)	6.2 in (157 mm)	*
2471AN65B	24 x 6 in (600 x 150 mm)	10.5 in (267 mm)	7.0 in (178 mm)	3.5 in (89 mm)	WT
2472AN	24 x 8 in (600 x 200 mm)	16.2 in (411 mm)	9.5 in (240 mm)	6.7 in (171 mm)	*
2472AN65B	24 x 8 in (600 x 200 mm)	11.3 in (286 mm)	7.0 in (178 mm)	4.3 in (108 mm)	WT
2473AN	24 x 10 in (600 x 250 mm)	17.0 in (432 mm)	9.5 in (240 mm)	7.6 in (192 mm)	*
2473AN65B	24 x 10 in (600 x 250 mm)	12.3 in (311 mm)	7.0 in (178 mm)	5.3 in (133 mm)	WT
2474AN	24 x 12 in (600 x 300 mm)	18.7 in (474 mm)	9.5 in (240 mm)	9.2 in (234 mm)	*
2474AN85B	24 x 12 in (600 x 300 mm)	13.5 in (343 mm)	7.0 in (178 mm)	6.5 in (165 mm)	ST
2474AN65B	24 x 12 in (600 x 300 mm)	13.5 in (343 mm)	7.0 in (178 mm)	6.5 in (165 mm)	WT

* = PLAIN END
ST = SOIL TIGHT
WT = WATER TIGHT

NOTE: ALL FITTINGS DIMENSIONS ARE FOR REFERENCE ONLY



PLAIN END



ST & WT (INCLUDES 2 GASKETS)

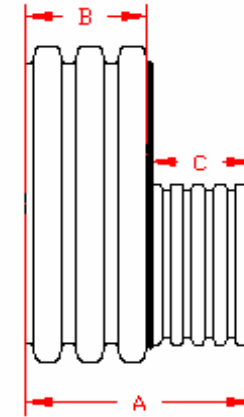


DRAWING #:	2515	
DRAWN BY:	JCB	06.05.06
APPROVED BY:	JCB	06.26.07
REVISIONS:	NJP	06.15.07

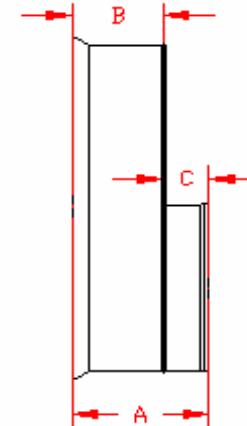
**DUAL WALL FABRICATED REDUCERS
24"x15" - 24"x18" DIAMETER**

PART #	PIPE SIZE	A	B	C	JOINT
2475AN	24 x 15 in (600 x 375 mm)	22.1 in (561 mm)	9.5 in (240 mm)	12.7 in (321 mm)	*
2475AN85B	24 x 15 in (600 x 375 mm)	14.8 in (375 mm)	7.0 in (178 mm)	7.8 in (197 mm)	ST
2475AN65B	24 x 15 in (600 x 375 mm)	14.8 in (375 mm)	7.0 in (178 mm)	7.8 in (197 mm)	WT
2476AN	24 x 18 in (600 x 450 mm)	22.1 in (561 mm)	9.5 in (240 mm)	12.7 in (321 mm)	*
2476AN85B	24 x 18 in (600 x 450 mm)	15.9 in (403 mm)	7.0 in (178 mm)	8.9 in (226 mm)	ST
2476AN65B	24 x 18 in (600 x 450 mm)	15.9 in (403 mm)	7.0 in (178 mm)	8.9 in (226 mm)	WT

* = PLAIN END
ST = SOIL TIGHT
WT = WATER TIGHT



PLAIN END



ST & WT (INCLUDES 2 GASKETS)

NOTE: ALL FITTINGS DIMENSIONS ARE FOR REFERENCE ONLY



ADVANCED DRAINAGE SYSTEMS, INC.

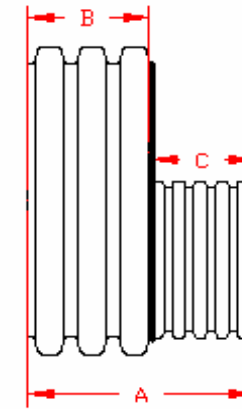
DRAWING #:	2515A	
DRAWN BY:	JCB	06.05.06
APPROVED BY:	JCB	06.26.07
REVISIONS:	NJP	06.15.07

DUAL WALL FABRICATED REDUCERS 30"x4" - 30"x12" DIAMETER

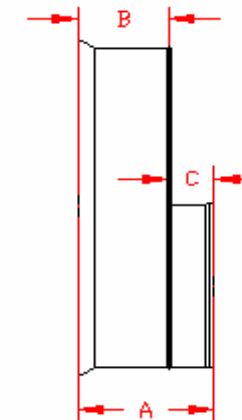
PART #	PIPE SIZE	A	B	C	JOINT
3070AN	30 x 4 in (750 x 100 mm)	17.6 in (447 mm)	12.4 in (314 mm)	5.3 in (133 mm)	*
3070AN65B	30 x 4 in (750 x 100 mm)	14.1 in (359 mm)	11.8 in (298 mm)	2.4 in (60 mm)	WT
3071AN	30 x 6 in (750 x 150 mm)	18.6 in (471 mm)	12.4 in (314 mm)	6.2 in (157 mm)	*
3071AN65B	30 x 6 in (750 x 150 mm)	15.3 in (387 mm)	11.8 in (298 mm)	3.5 in (89 mm)	WT
3072AN	30 x 8 in (750 x 200 mm)	19.1 in (485 mm)	12.4 in (314 mm)	6.7 in (171 mm)	*
3072AN65B	30 x 8 in (750 x 200 mm)	16.0 in (406 mm)	11.8 in (298 mm)	4.3 in (108 mm)	WT
3073AN	30 x 10 in (750 x 250 mm)	19.9 in (506 mm)	12.4 in (314 mm)	7.6 in (192 mm)	*
3073AN65B	30 x 10 in (750 x 250 mm)	17.0 in (432 mm)	11.8 in (298 mm)	5.3 in (133 mm)	WT
3074AN	30 x 12 in (750 x 300 mm)	21.6 in (548 mm)	12.4 in (314 mm)	9.2 in (234 mm)	*
3074AN85B	30 x 12 in (750 x 300 mm)	18.3 in (464 mm)	11.8 in (298 mm)	6.5 in (165 mm)	ST
3074AN65B	30 x 12 in (750 x 300 mm)	18.3 in (464 mm)	11.8 in (298 mm)	6.5 in (165 mm)	WT

* = PLAIN END
ST = SOIL TIGHT
WT = WATER TIGHT

NOTE: ALL FITTINGS DIMENSIONS ARE FOR REFERENCE ONLY



PLAIN END



ST & WT (INCLUDES 2 GASKETS)

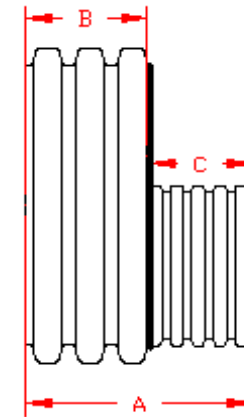


DRAWING #:	2520	
DRAWN BY:	NJP	09.28.06
APPROVED BY:	JCB	06.26.07
REVISIONS:	NJP	06.15.07

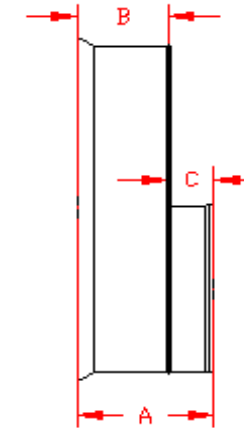
DUAL WALL FABRICATED REDUCERS
30"×15" - 30"×24" DIAMETER

PART #	PIPE SIZE	A	B	C	JOINT
3075AN	30 x 15 in (750 x 375 mm)	25.0 in (635 mm)	12.4 in (314 mm)	12.7 in (321 mm)	*
3075AN85B	30 x 15 in (750 x 375mm)	19.5 in (495 mm)	11.8 in (298 mm)	7.8 in (197 mm)	ST
3075AN65B	30 x 15 in (750 x 375 mm)	19.5 in (495 mm)	11.8 in (298 mm)	7.8 in (197 mm)	WT
3076AN	30 x 18 in (750 x 450 mm)	25.0 in (635 mm)	12.4 in (314 mm)	12.7 in (321 mm)	*
3076AN85B	30 x 18 in (750 x 450 mm)	20.6 in (524 mm)	11.8 in (298 mm)	8.9 in (226 mm)	ST
3076AN65B	30 x 18 in (750 x 450 mm)	20.6 in (524 mm)	11.8 in (298 mm)	8.9 in (226 mm)	WT
3077AN	30 x 24 in (750 x 600 mm)	27.9 in (709 mm)	12.4 in (314 mm)	15.6 in (395 mm)	*
3077AN85B	30 x 24 in (750 x 600 mm)	18.8 in (476 mm)	11.8 in (298 mm)	7.0 in (178 mm)	ST
3077AN65B	30 x 24 in (750 x 600 mm)	18.8 in (476 mm)	11.8 in (298 mm)	7.0 in (178 mm)	WT

* = PLAIN END
 ST = SOIL TIGHT
 WT = WATER TIGHT



PLAIN END



ST & WT (INCLUDES 2 GASKETS)

NOTE: ALL FITTINGS DIMENSIONS ARE FOR REFERENCE ONLY



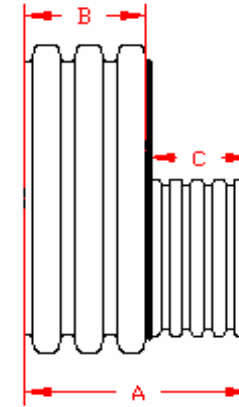
DRAWING #:	2520A	
DRAWN BY:	NJP	09.28.06
APPROVED BY:	JCB	06.26.07
REVISIONS:	NJP	06.15.07

DUAL WALL FABRICATED REDUCERS
36"x4" - 36"x12" DIAMETER

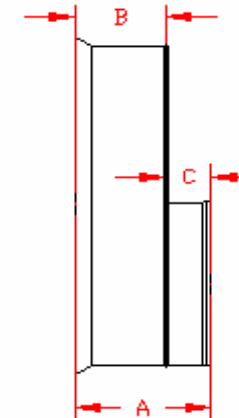
PART #	PIPE SIZE	A	B	C	JOINT
3670AN	36 x 4 in (900 x 100 mm)	21.0 in (533 mm)	15.8 in (400 mm)	5.3 in (133 mm)	*
3670AN65B	36 x 4 in (900 x 100 mm)	13.7 in (347 mm)	11.3 in (287 mm)	2.4 in (60 mm)	WT
3671AN	36 x 6 in (900 x 150 mm)	21.9 in (557 mm)	15.8 in (400 mm)	6.2 in (157 mm)	*
3671AN65B	36 x 6 in (900 x 150 mm)	14.8 in (376 mm)	11.3 in (287 mm)	3.5 in (89 mm)	WT
3672AN	36 x 8 in (900 x 200 mm)	22.5 in (571 mm)	15.8 in (400 mm)	6.7 in (171 mm)	*
3672AN65B	36 x 8 in (900 x 200 mm)	15.5 in (395 mm)	11.3 in (287 mm)	4.3 in (108 mm)	WT
3673AN	36 x 10 in (900 x 250 mm)	23.3 in (592 mm)	15.8 in (400 mm)	7.6 in (192 mm)	*
3673AN65B	36 x 10 in (900 x 250 mm)	16.5 in (420 mm)	11.3 in (287 mm)	5.3 in (133 mm)	WT
3674AN	36 x 12 in (900 x 300 mm)	25.0 in (634 mm)	15.8 in (400 mm)	9.2 in (234 mm)	*
3674AN85B	36 x 12 in (900 x 300 mm)	17.8 in (452 mm)	11.3 in (287 mm)	6.5 in (165 mm)	ST
3674AN65B	36 x 12 in (900 x 300 mm)	17.8 in (452 mm)	11.3 in (287 mm)	6.5 in (165 mm)	WT

* = PLAIN END
 ST = SOIL TIGHT
 WT = WATER TIGHT

NOTE: ALL FITTINGS DIMENSIONS ARE FOR REFERENCE ONLY



PLAIN END



ST & WT (INCLUDES 2 GASKETS)



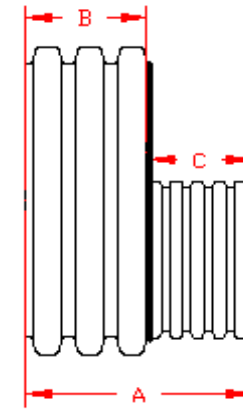
DRAWING #:	2525	
DRAWN BY:	JCB	09.11.06
APPROVED BY:	JCB	06.26.07
REVISIONS:	NJP	06.15.07

DUAL WALL FABRICATED REDUCERS
36"x15" - 36"x30" DIAMETER

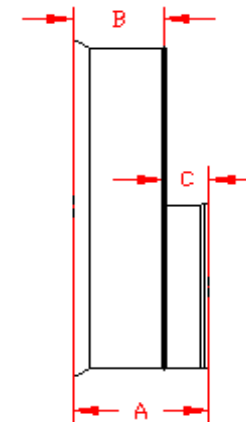
PART #	PIPE SIZE	A	B	C	JOINT
3675AN	36 x 15 in (900 x 375 mm)	28.4 in (721 mm)	15.8 in (400 mm)	12.7 in (321 mm)	*
3675AN85B	36 x 15 in (900 x 375 mm)	19.0 in (484 mm)	11.3 in (287 mm)	7.8 in (197 mm)	ST
3675AN65B	36 x 15 in (900 x 375 mm)	19.0 in (484 mm)	11.3 in (287 mm)	7.8 in (197 mm)	WT
3676AN	36 x 18 in (900 x 450 mm)	28.4 in (721 mm)	15.8 in (400 mm)	12.7 in (321 mm)	*
3676AN85B	36 x 18 in (900 x 450 mm)	20.2 in (512 mm)	11.3 in (287 mm)	8.9 in (226 mm)	ST
3676AN65B	36 x 18 in (900 x 450 mm)	20.2 in (512 mm)	11.3 in (287 mm)	8.9 in (226 mm)	WT
3677AN	36 x 24 in (900 x 600 mm)	31.3 in (795 mm)	15.8 in (400 mm)	15.6 in (395 mm)	*
3677AN85B	36 x 24 in (900 x 600 mm)	18.3 in (465 mm)	11.3 in (287 mm)	7.0 in (178 mm)	ST
3677AN65B	36 x 24 in (900 x 600 mm)	18.3 in (465 mm)	11.3 in (287 mm)	7.0 in (178 mm)	WT
3678AN	36 x 30 in (900 x 750 mm)	32.2 in (819 mm)	15.8 in (400 mm)	16.5 in (419 mm)	*
3678AN65B	36 x 30 in (900 x 750 mm)	23.0 in (585 mm)	11.3 in (287 mm)	11.8 in (298 mm)	ST
3678AN85B	36 x 30 in (900 x 750 mm)	23.0 in (585 mm)	11.3 in (287 mm)	11.8 in (298 mm)	WT

* = PLAIN END
 ST = SOIL TIGHT
 WT = WATER TIGHT

NOTE: ALL FITTINGS DIMENSIONS ARE FOR REFERENCE ONLY



PLAIN END



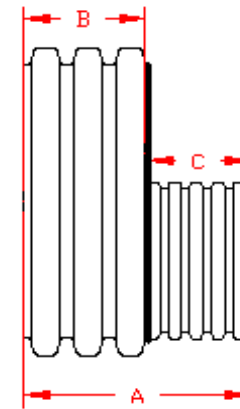
ST & WT (INCLUDES 2 GASKETS)



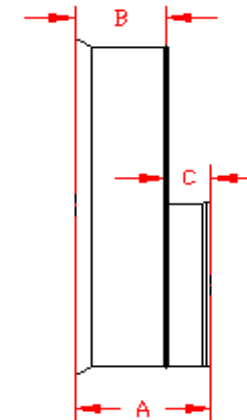
DRAWING #:	2525A	
DRAWN BY:	NJP	07.06.06
APPROVED BY:	JCB	06.26.07
REVISIONS:	TJR	9/8/2009

DUAL WALL FABRICATED REDUCERS
42"x6" - 42"x15" DIAMETER

PART #	PIPE SIZE	A	B	C	JOINT
4271AN	42 x 6 in (1050 x 150 mm)	21.8 in (553 mm)	15.6 in (395 mm)	6.2 in (157 mm)	*
4271AN85B	42 x 6 in (1050 x 150 mm)	12.6 in (321 mm)	9.1 in (232 mm)	3.5 in (89 mm)	ST
4271AN65B	42 x 6 in (1050 x 150 mm)	15.5 in (393 mm)	12.0 in (305 mm)	3.5 in (89 mm)	WT
4272AN	42 x 8 in (1050 x 200 mm)	22.3 in (566 mm)	15.6 in (395 mm)	6.7 in (171 mm)	*
4272AN85B	42 x 8 in (1050 x 200 mm)	13.4 in (340 mm)	9.1 in (232 mm)	4.3 in (108 mm)	ST
4272AN65B	42 x 8 in (1050 x 200 mm)	16.2 in (412 mm)	12.0 in (305 mm)	4.3 in (108 mm)	WT
4273AN	42 x 10 in (1050 x 250 mm)	23.1 in (588 mm)	15.6 in (395 mm)	7.6 in (192 mm)	*
4273AN85B	42 x 10 in (1050 x 250 mm)	14.4 in (365 mm)	9.1 in (232 mm)	5.3 in (133 mm)	ST
4273AN65B	42 x 10 in (1050 x 250 mm)	17.2 in (438 mm)	12.0 in (305 mm)	5.3 in (133 mm)	WT
4274AN	42 x 12 in (1050 x 300 mm)	24.8 in (629 mm)	15.6 in (395 mm)	9.2 in (234 mm)	*
4274AN85B	42 x 12 in (1050 x 300 mm)	15.6 in (397 mm)	9.1 in (232 mm)	6.5 in (165 mm)	ST
4274AN65B	42 x 12 in (1050 x 300 mm)	18.5 in (470 mm)	12.0 in (305 mm)	6.5 in (165 mm)	WT
4275AN	42 x 15 in (1050 x 375 mm)	28.2 in (717 mm)	15.6 in (395 mm)	12.7 in (321 mm)	*
4275AN85B	42 x 15 in (1050 x 375 mm)	16.9 in (428 mm)	9.1 in (232 mm)	7.8 in (197 mm)	ST
4275AN65B	42 x 15 in (1050 x 375 mm)	19.7 in (501 mm)	12.0 in (305 mm)	7.8 in (197 mm)	WT



PLAIN END



ST & WT (INCLUDES 2 GASKETS)

* = PLAIN END
ST = SOIL TIGHT
WT = WATER TIGHT

NOTE: ALL FITTINGS DIMENSIONS ARE FOR REFERENCE ONLY



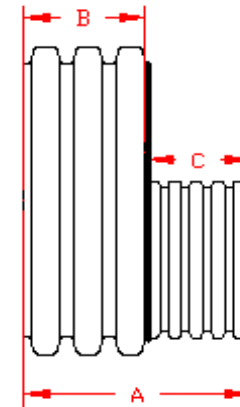
DRAWING #:	2530	
DRAWN BY:	NJP	07.06.06
APPROVED BY:	JCB	06.26.07
REVISIONS:	TJR	9/8/2009

DUAL WALL FABRICATED REDUCERS
42"x18" - 42"x36" DIAMETER

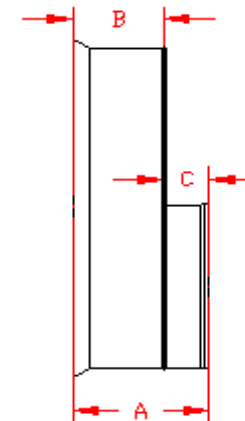
PART #	PIPE SIZE	A	B	C	JOINT
4276AN	42 x 18 in (1050 x 450 mm)	28.2 in (717 mm)	15.6 in (395 mm)	12.7 in (321 mm)	*
4276AN85B	42 x 18 in (1050 x 450 mm)	18.0 in (457 mm)	9.1 in (232 mm)	8.9 in (226 mm)	ST
4276AN65B	42 x 18 in (1050 x 450 mm)	20.9 in (530 mm)	12.0 in (305 mm)	8.9 in (226 mm)	WT
4277AN	42 x 24 in (1050 x 600 mm)	31.1 in (790 mm)	15.6 in (395 mm)	15.6 in (395 mm)	*
4277AN85B	42 x 24 in (1050 x 600 mm)	16.1 in (409 mm)	9.1 in (232 mm)	7.0 in (178 mm)	ST
4277AN65B	42 x 24 in (1050 x 600 mm)	19.0 in (482 mm)	12.0 in (305 mm)	7.0 in (178 mm)	WT
4278AN	42 x 30 in (1050 x 750 mm)	32.1 in (814 mm)	15.6 in (395 mm)	16.5 in (419 mm)	*
4278AN85B	42 x 30 in (1050 x 750 mm)	20.9 in (530 mm)	9.1 in (232 mm)	11.8 in (298 mm)	ST
4278AN65B	42 x 30 in (1050 x 750 mm)	23.7 in (603 mm)	12.0 in (305 mm)	11.8 in (298 mm)	WT
4279AN	42 x 36 in (1050 x 900 mm)	36.1 in (918 mm)	15.6 in (395 mm)	20.6 in (522 mm)	*
4279AN85B	42 x 36 in (1050 x 900 mm)	20.4 in (518 mm)	9.1 in (232 mm)	11.3 in (287 mm)	ST
4279AN65B	42 x 36 in (1050 x 900 mm)	23.3 in (591 mm)	12.0 in (305 mm)	11.3 in (287 mm)	WT

* = PLAIN END
 ST = SOIL TIGHT
 WT = WATER TIGHT

NOTE: ALL FITTINGS DIMENSIONS ARE FOR REFERENCE ONLY



PLAIN END



ST & WT (INCLUDES 2 GASKETS)



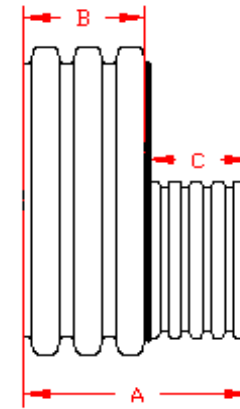
DRAWING #:	2530A	
DRAWN BY:	NJP	07.06.06
APPROVED BY:	JCB	06.26.07
REVISIONS:	TJR	9/8/2009

DUAL WALL FABRICATED REDUCERS
48"x12" - 48"x24" DIAMETER

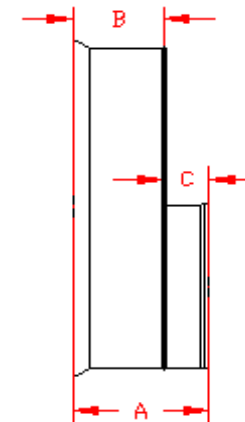
PART #	PIPE SIZE	A	B	C	JOINT
4874AN	48 x 12 in (1200 x 300 mm)	25.0 in (634 mm)	15.8 in (400 mm)	9.2 in (234 mm)	*
4874AN85B	48 x 12 in (1200 x 300 mm)	15.3 in (388 mm)	8.8 in (223 mm)	6.5 in (165 mm)	ST
4874AN65B	48 x 12 in (1200 x 300 mm)	18.5 in (470 mm)	12.0 in (305 mm)	6.5 in (165 mm)	WT
4875AN	48 x 15 in (1200 x 375 mm)	28.4 in (721 mm)	15.8 in (400 mm)	12.7 in (321 mm)	*
4875AN85B	48 x 15 in (1200 x 375 mm)	16.5 in (419 mm)	8.8 in (223 mm)	7.8 in (197 mm)	ST
4875AN65B	48 x 15 in (1200 x 375 mm)	19.7 in (501 mm)	12.0 in (305 mm)	7.8 in (197 mm)	WT
4876AN	48 x 18 in (1200 x 450 mm)	28.4 in (721 mm)	15.8 in (400 mm)	12.7 in (321 mm)	*
4876AN85B	48 x 18 in (1200 x 450 mm)	17.6 in (448 mm)	8.8 in (223 mm)	8.9 in (226 mm)	ST
4876AN65B	48 x 18 in (1200 x 450 mm)	20.9 in (530 mm)	12.0 in (305 mm)	8.9 in (226 mm)	WT
4877AN	48 x 24 in (1200 x 600 mm)	31.3 in (795 mm)	15.8 in (400 mm)	15.6 in (395 mm)	*
4877AN85B	48 x 24 in (1200 x 600 mm)	15.8 in (400 mm)	8.8 in (223 mm)	7.0 in (178 mm)	ST
4877AN65B	48 x 24 in (1200 x 600 mm)	19.0 in (482 mm)	12.0 in (305 mm)	7.0 in (178 mm)	WT

* = PLAIN END
ST = SOIL TIGHT
WT = WATER TIGHT

NOTE: ALL FITTINGS DIMENSIONS ARE FOR REFERENCE ONLY



PLAIN END



ST & WT (INCLUDES 2 GASKETS)

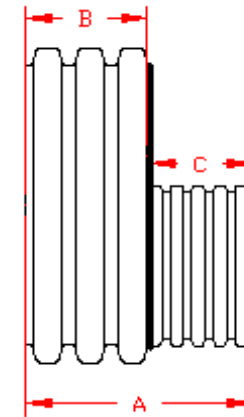


DRAWING #:	2535	
DRAWN BY:	NJP	07.06.06
APPROVED BY:	JCB	06.26.07
REVISIONS:	TJR	9/8/2009

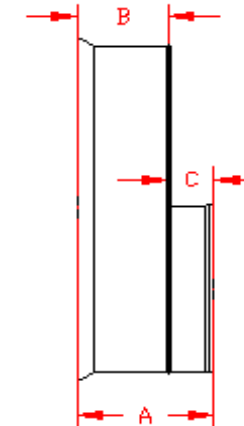
DUAL WALL FABRICATED REDUCERS
48"×30" - 48"×42" DIAMETER

PART #	PIPE SIZE	A	B	C	JOINT
4878AN	48 x 30 in (1200 x 750 mm)	32.2 in (819 mm)	15.8 in (400 mm)	16.5 in (419 mm)	*
4878AN85B	48 x 30 in (1200 x 750 mm)	20.5 in (521 mm)	8.8 in (223 mm)	11.8 in (298 mm)	ST
4878AN65B	48 x 30 in (1200 x 750 mm)	23.7 in (603 mm)	12.0 in (305 mm)	11.8 in (298 mm)	WT
4879AN	48 x 36 in (1200 x 900 mm)	36.3 in (922 mm)	15.8 in (400 mm)	20.6 in (522 mm)	*
4879AN85B	48 x 36 in (1200 x 900 mm)	20.1 in (509 mm)	8.8 in (223 mm)	11.3 in (287 mm)	ST
4879AN65B	48 x 36 in (1200 x 900 mm)	23.3 in (591 mm)	12.0 in (305 mm)	11.3 in (287 mm)	WT
4842AN	48 x 42 in (1200 x 1050 mm)	36.4 in (925 mm)	15.8 in (400 mm)	20.7 in (525 mm)	*
4842AN85B	48 x 42 in (1200 x 1050 mm)	17.9 in (454 mm)	8.8 in (223 mm)	9.1 in (232 mm)	ST
4842AN65B	48 x 42 in (1200 x 1050 mm)	24.0 in (609 mm)	12.0 in (305 mm)	12.0 in (305 mm)	WT

* = PLAIN END
 ST = SOIL TIGHT
 WT = WATER TIGHT



PLAIN END



ST & WT (INCLUDES 2 GASKETS)

NOTE: ALL FITTINGS DIMENSIONS ARE FOR REFERENCE ONLY

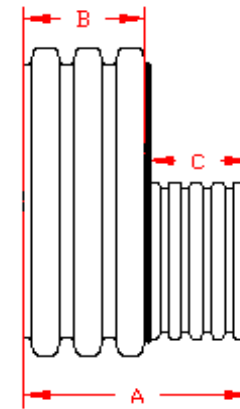


ADVANCED DRAINAGE SYSTEMS, INC.

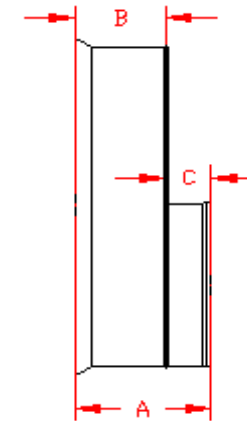
DRAWING #:	2535A	
DRAWN BY:	NJP	07.06.06
APPROVED BY:	JCB	06.26.07
REVISIONS:	TJR	9/8/2009

DUAL WALL FABRICATED REDUCERS
60"x24" - 60"x48" DIAMETER

PART #	PIPE SIZE	A	B	C	JOINT
6077AN	60 x 24 in (1500 x 600 mm)	33.6 in (852 mm)	18.0 in (457 mm)	15.6 in (395 mm)	*
6077AN85B	60 x 24 in (1500 x 600 mm)	16.6 in (421 mm)	9.6 in (243 mm)	7.0 in (178 mm)	ST
6077AN65B	60 x 24 in (1500 x 600 mm)	16.6 in (421 mm)	9.6 in (243 mm)	7.0 in (178 mm)	WT
6078AN	60 x 30 in (1500 x 750 mm)	34.5 in (876 mm)	18.0 in (457 mm)	16.5 in (419 mm)	*
6078AN85B	60 x 30 in (1500 x 750 mm)	21.3 in (542 mm)	9.6 in (243 mm)	11.8 in (298 mm)	ST
6078AN65B	60 x 30 in (1500 x 750 mm)	21.3 in (542 mm)	9.6 in (243 mm)	11.8 in (298 mm)	WT
6079AN	60 x 36 in (1500 x 900 mm)	38.6 in (979 mm)	18.0 in (457 mm)	20.6 in (522 mm)	*
6079AN85B	60 x 36 in (1500 x 900 mm)	20.9 in (530 mm)	9.6 in (243 mm)	11.3 in (287 mm)	ST
6079AN65B	60 x 36 in (1500 x 900 mm)	20.9 in (530 mm)	9.6 in (243 mm)	11.3 in (287 mm)	WT
6042AN	60 x 42 in (1500 x 1050 mm)	38.7 in (982 mm)	18.0 in (457 mm)	20.7 in (525 mm)	*
6042AN85B	60 x 42 in (1500 x 1050 mm)	18.7 in (475 mm)	9.6 in (243 mm)	9.1 in (232 mm)	ST
6042AN65B	60 x 42 in (1500 x 1050 mm)	21.6 in (548 mm)	9.6 in (243 mm)	12.0 in (305 mm)	WT
6048AN	60 x 48 in (1500 x 1200 mm)	38.7 in (982 mm)	18.0 in (457 mm)	20.7 in (525 mm)	*
6048AN85B	60 x 48 in (1500 x 1200 mm)	18.3 in (466 mm)	9.6 in (243 mm)	8.8 in (223 mm)	ST
6048AN65B	60 x 48 in (1500 x 1200 mm)	21.6 in (548 mm)	9.6 in (243 mm)	12.0 in (305 mm)	WT



PLAIN END



ST & WT (INCLUDES 2 GASKETS)

* = PLAIN END
 ST = SOIL TIGHT
 WT = WATER TIGHT

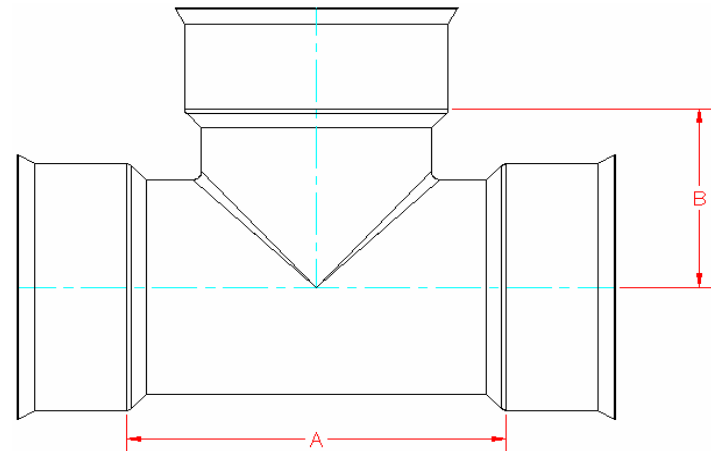
NOTE: ALL FITTINGS DIMENSIONS ARE FOR REFERENCE ONLY



DRAWING #:	2540	
DRAWN BY:	NJP	07.06.06
APPROVED BY:	JCB	06.26.07
REVISIONS:	TJR	9/8/2009

**INJECTION MOLDED TEE
4" - 12" DIAMETER**

PART #	PIPE SIZE	A	B	JOINT
0460ST	4 in (100 mm)	7.4 in (187 mm)	3.7 in (93 mm)	ST
0460WT	4 in (100 mm)	7.4 in (187 mm)	3.7 in (93 mm)	WT
0661ST	6 in (150 mm)	10.5 in (266 mm)	5.2 in (133 mm)	ST
0661WT	6 in (150 mm)	10.5 in (266 mm)	5.2 in (133 mm)	WT
0862ST	8 in (200 mm)	13.8 in (350 mm)	6.9 in (175 mm)	ST
0862WT	8 in (200 mm)	13.8 in (350 mm)	6.9 in (175 mm)	WT
1063ST	10 in (250 mm)	17.9 in (454 mm)	8.9 in (227 mm)	ST
1063WT	10 in (250 mm)	17.9 in (454 mm)	8.9 in (227 mm)	WT
1264ST	12 in (300 mm)	22.5 in (572 mm)	11.3 in (286 mm)	ST
1264WT	12 in (300 mm)	22.5 in (572 mm)	11.3 in (286 mm)	WT



NOTE:

FITTINGS WHOSE PART NUMBERS END WITH "WT" HAVE WATER TIGHT BELL CONNECTIONS. WATER TIGHT BELLS ARE SHOWN HERE IN THIS DRAWING AND REQUIRE GASKETS TO BE FITTED TO DUAL WALL PIPE TO FORM A WATER TIGHT JOINT. (GASKETS INCLUDED)

FITTINGS WHOSE PART NUMBERS END WITH "ST" HAVE SOIL TIGHT BELL CONNECTIONS. SOIL TIGHT BELLS HAVE MOLDED CLEATS AND REQUIRE NO GASKET TO MAKE CONNECTION TO DUAL WALL PIPE.

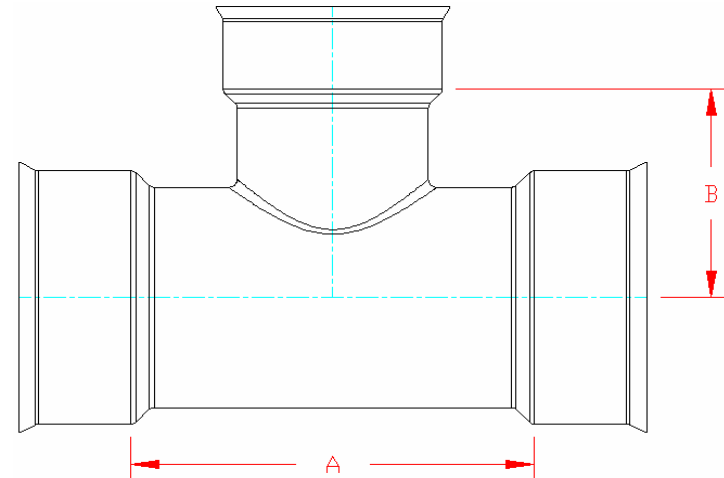
NOTE: ALL FITTINGS DIMENSIONS ARE FOR REFERENCE ONLY



DRAWING #:	3000	
DRAWN BY:	JCB	07.28.06
APPROVED BY:	JCB	06.26.07
REVISIONS:	NJP	06.15.07

INJECTION MOLDED REDUCING TEE
6" x 4" - 10"x8" - 12"x8" DIAMETER

PART #	PIPE SIZE	A	B	JOINT
0660ST	6 x 4 in (150 x 100 mm)	7.4 in (187 mm)	4.4 in (111 mm)	ST
0660WT	6 x 4 in (150 x 100 mm)	7.4 in (187 mm)	4.4 in (111 mm)	WT
1062ST	10 x 8 in (250 x 200 mm)	17.9 in (454 mm)	9.9 in (252 mm)	ST
1062WT	10 x 8 in (250 x 200 mm)	17.9 in (454 mm)	9.9 in (252 mm)	WT
1262WT	12 x 8 in (300 x 200 mm)	22.5 in (572 mm)	13.6 in (346 mm)	WT



NOTE:

FITTINGS WHOSE PART NUMBERS END WITH "WT" HAVE WATER TIGHT BELL CONNECTIONS. WATER TIGHT BELLS ARE SHOWN HERE IN THIS DRAWING AND REQUIRE GASKETS TO BE FITTED TO DUAL WALL PIPE TO FORM A WATER TIGHT JOINT. (GASKETS INCLUDED)

FITTINGS WHOSE PART NUMBERS END WITH "ST" HAVE SOIL TIGHT BELL CONNECTIONS. SOIL TIGHT BELLS HAVE MOLDED CLEATS AND REQUIRE NO GASKET TO MAKE CONNECTION TO DUAL WALL PIPE.

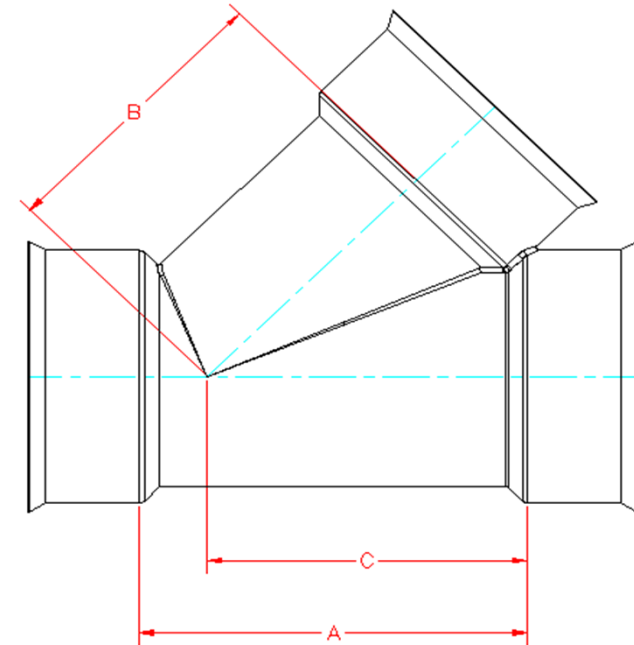
NOTE: ALL FITTINGS DIMENSIONS ARE FOR REFERENCE ONLY



DRAWING #:	3010	
DRAWN BY:	JCB	04.24.07
APPROVED BY:		
REVISIONS:	TJR	10.17.07

**INJECTION MOLDED 45° WYE
4" - 12" DIAMETER**

PART #	PIPE SIZE	A	B	C	JOINT
0480ST	4 in (100 mm)	7.4 in (187 mm)	5.5 in (140 mm)	6.1 in (154 mm)	ST
0480WT	4 in (100 mm)	7.4 in (187 mm)	5.5 in (140 mm)	6.1 in (154 mm)	WT
0681ST	6 in (150 mm)	10.5 in (266 mm)	8.0 in (202 mm)	8.7 in (220 mm)	ST
0681WT	6 in (150 mm)	10.5 in (266 mm)	8.0 in (202 mm)	8.7 in (220 mm)	WT
0882ST	8 in (200 mm)	13.8 in (350 mm)	10.6 in (268 mm)	11.4 in (290 mm)	ST
0882WT	8 in (200 mm)	13.8 in (350 mm)	10.6 in (268 mm)	11.4 in (290 mm)	WT
1083ST	10 in (250 mm)	17.9 in (454 mm)	13.3 in (338 mm)	14.4 in (367 mm)	ST
1083WT	10 in (250 mm)	17.9 in (454 mm)	13.3 in (338 mm)	14.4 in (367 mm)	WT
1284ST	12 in (300 mm)	22.5 in (572 mm)	16.5 in (419 mm)	18.1 in (461 mm)	ST
1284WT	12 in (300 mm)	22.5 in (572 mm)	16.5 in (419 mm)	18.1 in (461 mm)	WT



NOTE:

FITTINGS WHOSE PART NUMBERS END WITH "WT" HAVE WATER TIGHT BELL CONNECTIONS. WATER TIGHT BELLS ARE SHOWN HERE IN THIS DRAWING AND REQUIRE GASKETS TO BE FITTED TO DUAL WALL PIPE TO FORM A WATER TIGHT JOINT. (GASKETS INCLUDED)

FITTINGS WHOSE PART NUMBERS END WITH "ST" HAVE SOIL TIGHT BELL CONNECTIONS. SOIL TIGHT BELLS HAVE MOLDED CLEATS AND REQUIRE NO GASKET TO MAKE CONNECTION TO DUAL WALL PIPE.

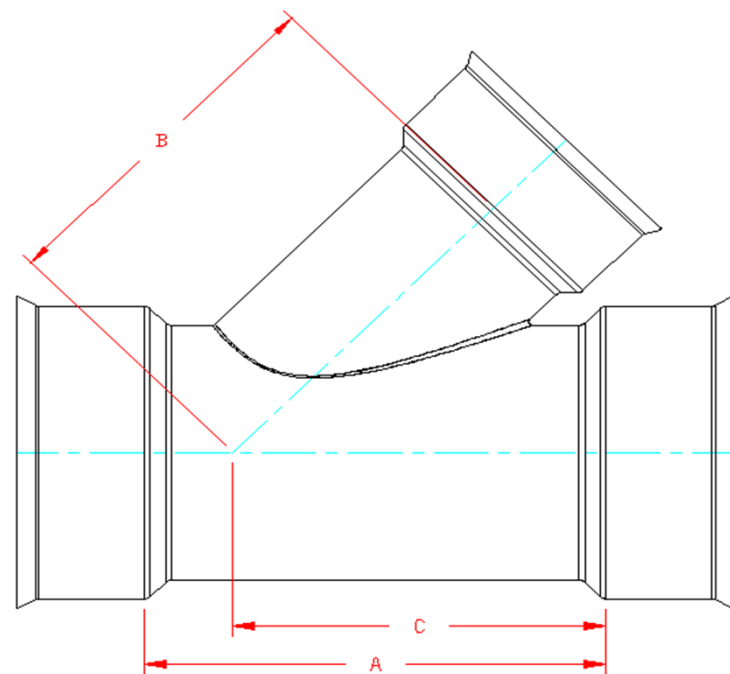
NOTE: ALL FITTINGS DIMENSIONS ARE FOR REFERENCE ONLY



DRAWING #:	3100	
DRAWN BY:	JCB	07.28.06
APPROVED BY:		
REVISIONS:	TJR	9/26/2016

INJECTION MOLDED 45° REDUCING WYE
6" x 4" - 8" x 4" - 8" x 6" - 10"x8" - 12" x 6" - 12"x8" DIAMETER

PART #	PIPE SIZE	A	B	C	JOINT
0680ST	6 x 4 in (150 x 100 mm)	9.3 in (235 mm)	8.3 in (210 mm)	4.8 in (123 mm)	ST
0680WT	6 x 4 in (150 x 100 mm)	9.3 in (235 mm)	8.3 in (210 mm)	4.8 in (123 mm)	WT
0880ST	8 x 4 in (200 x 100 mm)	10.7 in (271 mm)	10.0 in (254 mm)	9.2 in (233 mm)	ST
0880WT	8 x 4 in (200 x 100 mm)	10.7 in (271 mm)	10.0 in (254 mm)	9.2 in (233 mm)	WT
0881ST	8 x 6 in (200 x 150 mm)	12.6 in (320 mm)	11.3 in (286 mm)	10.8 in (275 mm)	ST
0881WT	8 x 6 in (200 x 150 mm)	12.6 in (320 mm)	11.3 in (286 mm)	10.8 in (275 mm)	WT
1082ST	10 x 8 in (250 x 200 mm)	17.9 in (454 mm)	14.3 in (362 mm)	13.9 in (354 mm)	ST
1082WT	10 x 8 in (250 x 200 mm)	17.9 in (455 mm)	14.3 in (362 mm)	13.9 in (354 mm)	WT
1281WT	12 x 6 in (300 x 150 mm)	17.1 in (435 mm)	15.8 in (400 mm)	14.5 in (369 mm)	WT
1282WT	12 x 8 in (300 x 200 mm)	22.5 in (572 mm)	18.7 in (474 mm)	18.1 in (461 mm)	WT




NOTE:

FITTINGS WHOSE PART NUMBERS END WITH "WT" HAVE WATER TIGHT BELL CONNECTIONS. WATER TIGHT BELLS ARE SHOWN HERE IN THIS DRAWING AND REQUIRE GASKETS TO BE FITTED TO DUAL WALL PIPE TO FORM A WATER TIGHT JOINT. (GASKETS INCLUDED)

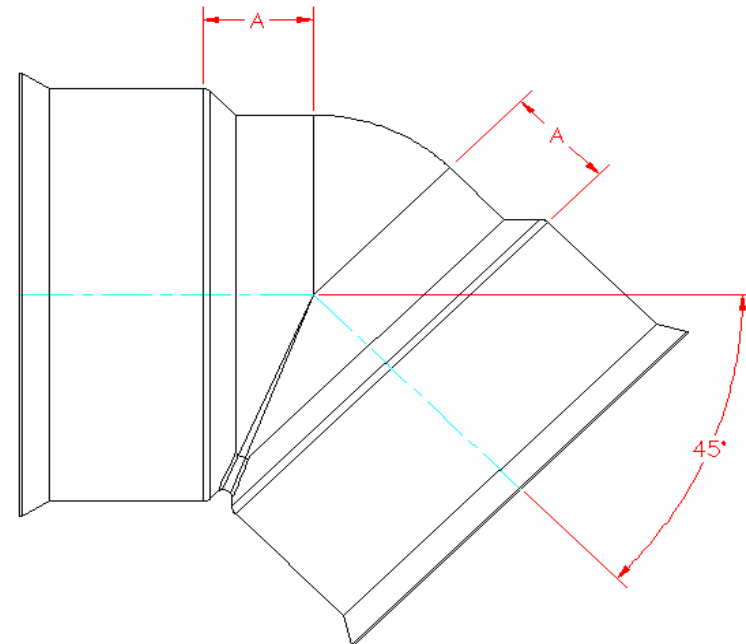
FITTINGS WHOSE PART NUMBERS END WITH "ST" HAVE SOIL TIGHT BELL CONNECTIONS. SOIL TIGHT BELLS HAVE MOLDED CLEATS AND REQUIRE NO GASKET TO MAKE CONNECTION TO DUAL WALL PIPE.

NOTE: ALL FITTINGS DIMENSIONS ARE FOR REFERENCE ONLY

	DRAWING #:	3110
	DRAWN BY:	JCB 04.24.07
	APPROVED BY:	
	REVISIONS:	TJR 03.08.13

**INJECTION MOLDED 45° BEND
4" - 12" DIAMETER**

PART #	PIPE SIZE	A	JOINT
0494ST	4 in (100 mm)	1.3 in (33 mm)	ST
0494WT	4 in (100 mm)	1.3 in (33 mm)	WT
0694ST	6 in (150 mm)	1.8 in (46 mm)	ST
0694WT	6 in (150 mm)	1.8 in (46 mm)	WT
0894ST	8 in (200 mm)	2.4 in (60 mm)	ST
0894WT	8 in (200 mm)	2.4 in (60 mm)	WT
1094ST	10 in (250 mm)	3.4 in (87 mm)	ST
1094WT	10 in (250 mm)	3.4 in (87 mm)	WT
1294ST	12 in (300 mm)	4.4 in (112 mm)	ST
1294WT	12 in (300 mm)	4.4 in (112 mm)	WT




NOTE:

FITTINGS WHOSE PART NUMBERS END WITH "WT" HAVE WATER TIGHT BELL CONNECTIONS. WATER TIGHT BELLS ARE SHOWN HERE IN THIS DRAWING AND REQUIRE GASKETS TO BE FITTED TO DUAL WALL PIPE TO FORM A WATER TIGHT JOINT. (GASKETS INCLUDED)

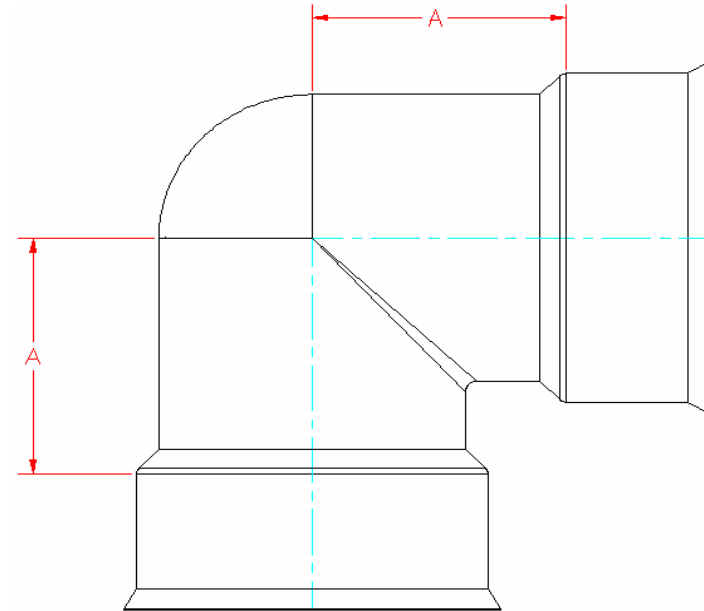
FITTINGS WHOSE PART NUMBERS END WITH "ST" HAVE SOIL TIGHT BELL CONNECTIONS. SOIL TIGHT BELLS HAVE MOLDED CLEATS AND REQUIRE NO GASKET TO MAKE CONNECTION TO DUAL WALL PIPE.

NOTE: ALL FITTINGS DIMENSIONS ARE FOR REFERENCE ONLY

 ADVANCED DRAINAGE SYSTEMS, INC.	DRAWING #:	3200	
	DRAWN BY:	JCB	07.31.06
	APPROVED BY:		
	REVISIONS:	NJP	06.15.07

**INJECTION MOLDED 90° BEND
4" - 12" DIAMETER**

PART #	PIPE SIZE	A	JOINT
0499ST	4 in (100 mm)	3.7 in (93 mm)	ST
0499WT	4 in (100 mm)	3.7 in (93 mm)	WT
0699ST	6 in (150 mm)	5.2 in (133 mm)	ST
0699WT	6 in (150 mm)	5.2 in (133 mm)	WT
0899ST	8 in (200 mm)	6.9 in (175 mm)	ST
0899WT	8 in (200 mm)	6.9 in (175 mm)	WT
1099ST	10 in (250 mm)	8.9 in (227 mm)	ST
1099WT	10 in (250 mm)	8.9 in (227 mm)	WT
1299ST	12 in (300 mm)	11.3 in (286 mm)	ST
1299WT	12 in (300 mm)	11.3 in (286 mm)	WT




NOTE:

FITTINGS WHOSE PART NUMBERS END WITH "WT" HAVE WATER TIGHT BELL CONNECTIONS. WATER TIGHT BELLS ARE SHOWN HERE IN THIS DRAWING AND REQUIRE GASKETS TO BE FITTED TO DUAL WALL PIPE TO FORM A WATER TIGHT JOINT. (GASKETS INCLUDED)

FITTINGS WHOSE PART NUMBERS END WITH "ST" HAVE SOIL TIGHT BELL CONNECTIONS. SOIL TIGHT BELLS HAVE MOLDED CLEATS AND REQUIRE NO GASKET TO MAKE CONNECTION TO DUAL WALL PIPE.

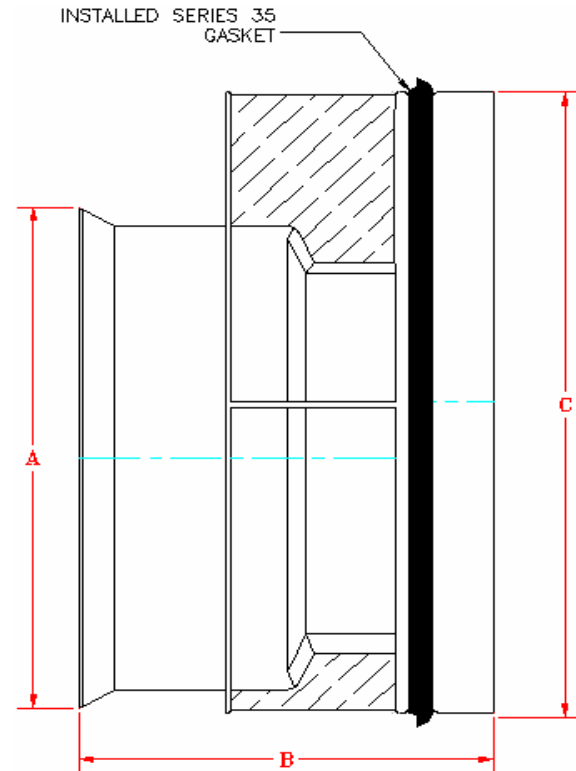
NOTE: ALL FITTINGS DIMENSIONS ARE FOR REFERENCE ONLY

 ADVANCED DRAINAGE SYSTEMS, INC.	DRAWING #:	3300	
	DRAWN BY:	JCB	07.31.06
	APPROVED BY:		
	REVISIONS:	NJP	06.15.07


INJECTION MOLDED BELL/SPIGOT REDUCER

PART #	PIPE SIZE	A	B	C	JOINT
0674WT	6 × 4 in (150 × 100 mm)	5.6 in (142 mm)	4.3 in (108 mm)	6.9 in (176 mm)	WT
0874WT	8 × 4 in (200 × 100 mm)	5.7 in (145 mm)	4.3 in (108 mm)	9.2 in (233 mm)	WT
0876WT	8 × 6 in (200 × 150 mm)	8.0 in (204 mm)	5.3 in (133 mm)	9.2 in (233 mm)	WT

NOTE:
 FITTINGS WHOSE PART NUMBERS END WITH "WT"
 HAVE WATER TIGHT BELL CONNECTIONS. WATER
 TIGHT BELLS ARE SHOWN HERE IN THIS DRAWING AND
 REQUIRE GASKETS TO BE FITTED TO DUAL WALL PIPE
 TO FORM A WATER TIGHT JOINT. (GASKETS INCLUDED)



NOTE: ALL FITTINGS DIMENSIONS ARE FOR REFERENCE ONLY

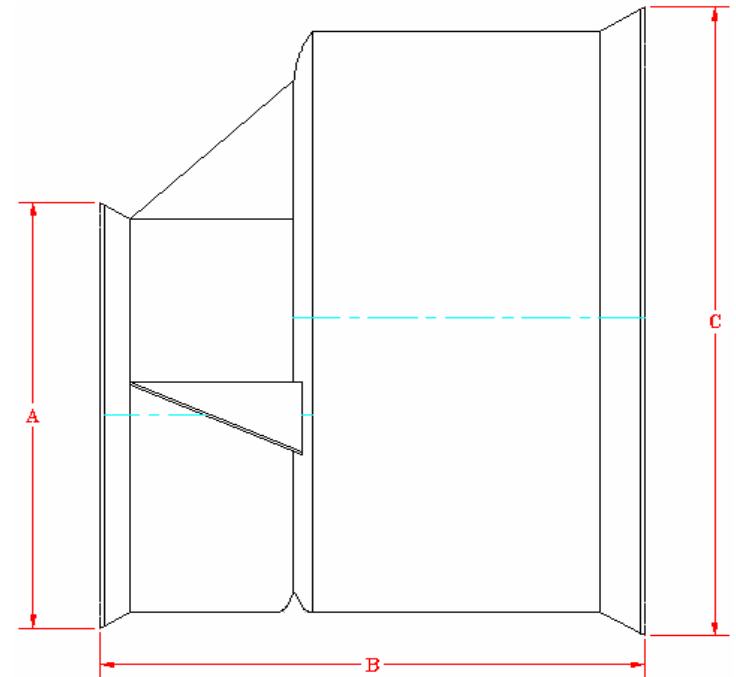
	DRAWING #:	3400	
	DRAWN BY:	JCB	07.31.06
	APPROVED BY:		
	REVISIONS:	NJP	06.15.07

INJECTION MOLDED REDUCING BELL/BELL COUPLER

PART #	PIPE SIZE	A	B	C	JOINT
0614WT	6 × 4 in (150 × 100 mm)	5.6 in (142 mm)	6.6 in (167 mm)	7.9 in (201 mm)	WT
0814WT	8 × 4 in (200 × 100 mm)	5.7 in (145 mm)	6.6 in (167 mm)	10.4 in (263 mm)	WT
0816WT	8 × 6 in (200 × 150 mm)	8.0 in (204 mm)	7.7 in (196 mm)	10.4 in (263 mm)	WT
1018WT	10 × 8 in (200 × 100 mm)	10.3 in (262 mm)	9.9 in (250 mm)	12.9 in (327 mm)	WT
1218WT	12 × 8 in (200 × 150 mm)	10.4 in (265 mm)	11.2 in (285 mm)	16.3 in (413 mm)	WT
1210WT	12 × 10 in (200 × 100 mm)	13.0 in (329 mm)	12.3 in (313 mm)	16.3 in (413 mm)	WT

NOTE:

FITTINGS WHOSE PART NUMBERS END WITH "WT" HAVE WATER TIGHT BELL CONNECTIONS. WATER TIGHT BELLS ARE SHOWN HERE IN THIS DRAWING AND REQUIRE GASKETS TO BE FITTED TO DUAL WALL PIPE TO FORM A WATER TIGHT JOINT. (GASKETS INCLUDED)



NOTE: ALL FITTINGS DIMENSIONS ARE FOR REFERENCE ONLY



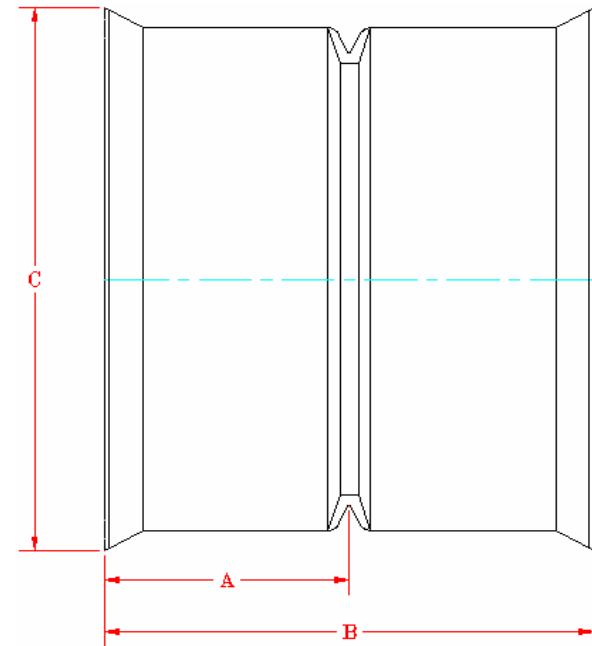
DRAWING #:	3500	
DRAWN BY:	JCB	07.31.06
APPROVED BY:		
REVISIONS:	NJP	06.15.07

INJECTION MOLDED BELL/BELL COUPLER

PART #	PIPE SIZE	A	B	C	JOINT
0413WT	4 × 4 in (100 × 100 mm)	2.3 in (59 mm)	4.7 in (119 mm)	5.6 in (141 mm)	WT
0613WT	6 × 6 in (150 × 150 mm)	3.5 in (88 mm)	6.9 in (176 mm)	7.9 in (201 mm)	WT
0813WT	8 × 8 in (200 × 200 mm)	4.3 in (108 mm)	8.6 in (217 mm)	10.4 in (263 mm)	WT
1013WT	10 × 10 in (250 × 250 mm)	5.5 in (140 mm)	11.0 in (279 mm)	12.9 in (326 mm)	WT

NOTE:

FITTINGS WHOSE PART NUMBERS END WITH "WT" HAVE WATER TIGHT BELL CONNECTIONS. WATER TIGHT BELLS ARE SHOWN HERE IN THIS DRAWING AND REQUIRE GASKETS TO BE FITTED TO DUAL WALL PIPE TO FORM A WATER TIGHT JOINT. (GASKETS INCLUDED)



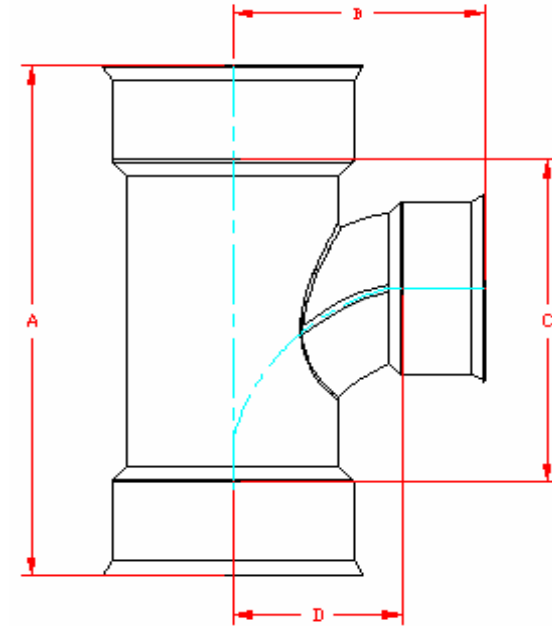
NOTE: ALL FITTINGS DIMENSIONS ARE FOR REFERENCE ONLY



DRAWING #:	3600	
DRAWN BY:	JCB	03.28.07
APPROVED BY:		
REVISIONS:	TJR	10.17.07

**INJECTION MOLDED SWEEPING TEE
8"x4" - 12"x6" DIAMETER**

PART #	PIPE SIZE	A	B	C	D	JOINT
0863ST	8 × 4 in (200 × 100 mm)	16.0 in (406 mm)	8.1 in (206 mm)	9.4 in (239 mm)	6.0 in (151 mm)	ST
0863WT	8 × 4 in (200 × 100 mm)	16.0 in (406 mm)	8.1 in (206 mm)	9.4 in (239 mm)	6.0 in (151 mm)	WT
0836ST	8 × 6 in (200 × 150 mm)	21.8 in (554 mm)	10.0 in (255 mm)	13.8 in (349 mm)	6.8 in (171 mm)	ST
0836WT	8 × 6 in (200 × 150 mm)	21.8 in (554 mm)	10.0 in (255 mm)	13.8 in (349 mm)	6.8 in (171 mm)	WT
1036ST	10 × 6 in (250 × 150 mm)	22.5 in (572 mm)	14.1 in (359 mm)	12.5 in (317 mm)	10.9 in (276 mm)	ST
1036WT	10 × 6 in (250 × 150 mm)	22.5 in (572 mm)	14.1 in (359 mm)	12.5 in (317 mm)	10.9 in (276 mm)	WT
1236WT	12 × 6 in (300 × 150 mm)	24.5 in (622 mm)	14.1 in (359 mm)	11.8 in (299 mm)	10.9 in (276 mm)	WT



NOTE:

FITTINGS WHOSE PART NUMBERS END WITH "WT" HAVE WATER TIGHT BELL CONNECTIONS. WATER TIGHT BELLS ARE SHOWN HERE IN THIS DRAWING AND REQUIRE GASKETS TO BE FITTED TO DUAL WALL PIPE TO FORM A WATER TIGHT JOINT. (GASKETS INCLUDED)

NOTE: ALL FITTINGS DIMENSIONS ARE FOR REFERENCE ONLY



ADVANCED DRAINAGE SYSTEMS, INC.

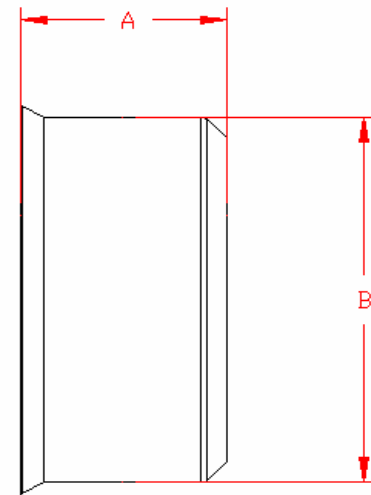
DRAWING #:	3700	
DRAWN BY:	JCB	03.28.07
APPROVED BY:		
REVISIONS:	TJR	10.17.07

INJECTION MOLDED END CAP

PART #	PIPE SIZE	A	B	JOINT
0432WT	4 in (100 mm)	2.7 in (67 mm)	5.1 in (131 mm)	WT
0632WT	6 in (150 mm)	3.9 in (98 mm)	7.3 in (185 mm)	WT

NOTE:

FITTINGS WHOSE PART NUMBERS END WITH "WT" HAVE WATER TIGHT BELL CONNECTIONS. WATER TIGHT BELLS ARE SHOWN HERE IN THIS DRAWING AND REQUIRE GASKETS TO BE FITTED TO DUAL WALL PIPE TO FORM A WATER TIGHT JOINT. (GASKETS INCLUDED)



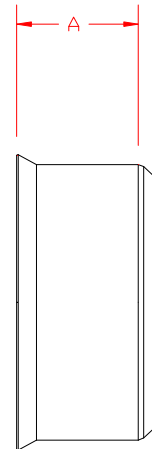
NOTE: ALL FITTINGS DIMENSIONS ARE FOR REFERENCE ONLY



DRAWING #:	3800	
DRAWN BY:	JCB	03.28.07
APPROVED BY:		
REVISIONS:	NJP	06.15.07

INJECTION MOLDED BELL LENGTH (REFERENCE CHART)

PIPE SIZE	BELL* LENGTH
4 in (100 mm)	2.2 in (56 mm)
6 in (150 mm)	3.3 in (84 mm)
8 in (200 mm)	4.0 in (102 mm)
10 in (250 mm)	5.0 in (127 mm)
12 in (300 mm)	6.4 in (163 mm)



NOTE:
DIMENSION IS NOT OVERALL BELL LENGTH
AND IS TO BE ADDED TO RESPECTIVE
FITTING'S INDICATED LAY LENGTH

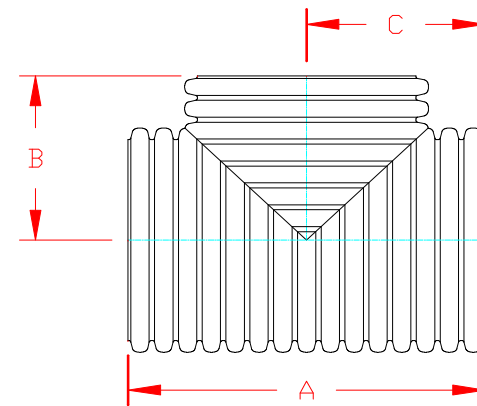
NOTE: ALL FITTINGS DIMENSIONS ARE FOR REFERENCE ONLY



DRAWING #:	3900	
DRAWN BY:	TJR	6/10/2009
APPROVED BY:		
REVISIONS:		

DUAL WALL FABRICATED "SOIL TIGHT" "PLAIN END" SINGLE MANIFOLD
12" - 30" DIAMETER

PART #	PIPE SIZE	A	B	C
1251AN	12 in (300 mm)	25.4 in (645 mm)	12.7 in (323 mm)	12.7 in (323 mm)
1551AN	15 in (375 mm)	28.9 in (734 mm)	14.5 in (367 mm)	14.5 in (367 mm)
1851AN	18 in (450 mm)	35.3 in (895 mm)	17.6 in (448 mm)	17.6 in (448 mm)
2451AN	24 in (600 mm)	41.4 in (1051 mm)	20.7 in (526 mm)	20.7 in (526 mm)
3051AN	30 in (750 mm)	53.1 in (1347 mm)	26.5 in (674 mm)	26.5 in (674 mm)



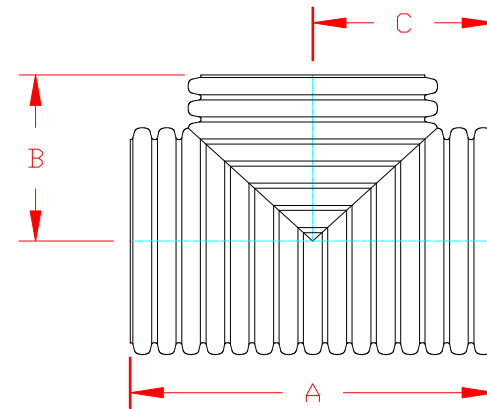
NOTE: ALL FITTINGS DIMENSIONS ARE FOR REFERENCE ONLY



DRAWING #:	4000	
DRAWN BY:	AWM	03.17.06
APPROVED BY:	JCB	06.28.07
REVISIONS:	TJR	5.12.09

DUAL WALL FABRICATED "SOIL TIGHT" "PLAIN END" SINGLE MANIFOLD
36" - 60" DIAMETER

PART #	PIPE SIZE	A	B	C
3651AN	36 in (900 mm)	63.0 in (1599 mm)	31.5 in (800 mm)	31.5 in (800 mm)
4251AN	42 in (1050 mm)	71.9 in (1827 mm)	36.0 in (914 mm)	36.0 in (914 mm)
4851AN	48 in (1200 mm)	78.5 in (1994 mm)	39.3 in (997 mm)	39.3 in (997 mm)
6051AN	60 in (1500 mm)	90.0 in (2286 mm)	45.0 in (1143 mm)	45.0 in (1143 mm)



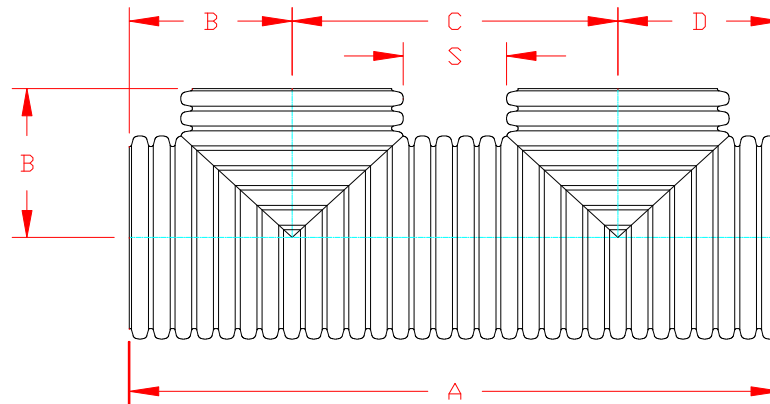
NOTE: ALL FITTINGS DIMENSIONS ARE FOR REFERENCE ONLY



DRAWING #:	4000A	
DRAWN BY:	AWM	03.17.06
APPROVED BY:	JCB	06.28.07
REVISIONS:	NJP	06.28.07

**DUAL WALL FABRICATED "SOIL TIGHT" "PLAIN END" DOUBLE MANIFOLD
12" - 30" DIAMETER**

PART #	PIPE SIZE	A	B	C	D	S
1252AN	12 in (300 mm)	50.8 in (1290 mm)	12.7 in (323 mm)	25.4 in (645 mm)	12.7 in (323 mm)	11.0 in (279 mm)
1552AN	15 in (375 mm)	57.8 in (1468 mm)	14.5 in (367 mm)	28.9 in (734 mm)	14.5 in (367 mm)	11.4 in (289 mm)
1852AN	18 in (450 mm)	70.6 in (1792 mm)	17.6 in (448 mm)	35.3 in (896 mm)	17.6 in (448 mm)	14.1 in (358 mm)
2452AN	24 in (600 mm)	82.7 in (2102 mm)	20.7 in (526 mm)	41.4 in (1051 mm)	20.7 in (526 mm)	13.7 in (347 mm)
3052AN	30 in (750 mm)	106.1 in (2695 mm)	26.5 in (674 mm)	53.1 in (1347 mm)	26.5 in (674 mm)	18.2 in (462 mm)



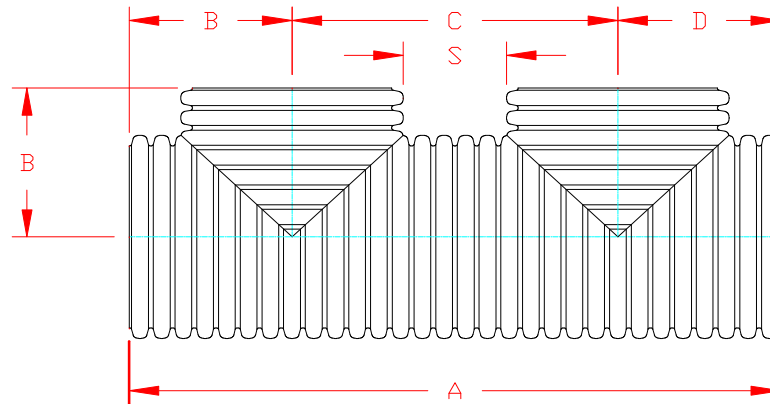
NOTE: ALL FITTINGS DIMENSIONS ARE FOR REFERENCE ONLY



DRAWING #:	4005	
DRAWN BY:	AWM	03.17.06
APPROVED BY:	JCB	06.28.07
REVISIONS:	TJR	5/12/2009

**DUAL WALL FABRICATED "SOIL TIGHT" "PLAIN END" DOUBLE MANIFOLD
36" - 60" DIAMETER**

PART #	PIPE SIZE	A	B	C	D	S
3652AN	36 in (900 mm)	125.9 in (3199 mm)	31.5 in (800 mm)	63.0 in (1599 mm)	31.5 in (800 mm)	21.8 in (554 mm)
4252AN	42 in (1050 mm)	143.9 in (3654 mm)	36.0 in (914 mm)	71.9 in (1827 mm)	36.0 in (914 mm)	24.1 in (613 mm)
4852AN	48 in (1200 mm)	157.0 in (3988 mm)	39.3 in (997 mm)	78.5 in (1994 mm)	39.3 in (997 mm)	24.9 in (632 mm)
6052AN	60 in (1500 mm)	180.0 in (4572 mm)	45.0 in (1143 mm)	90.0 in (2286 mm)	45.0 in (1143 mm)	23.9 in (607 mm)



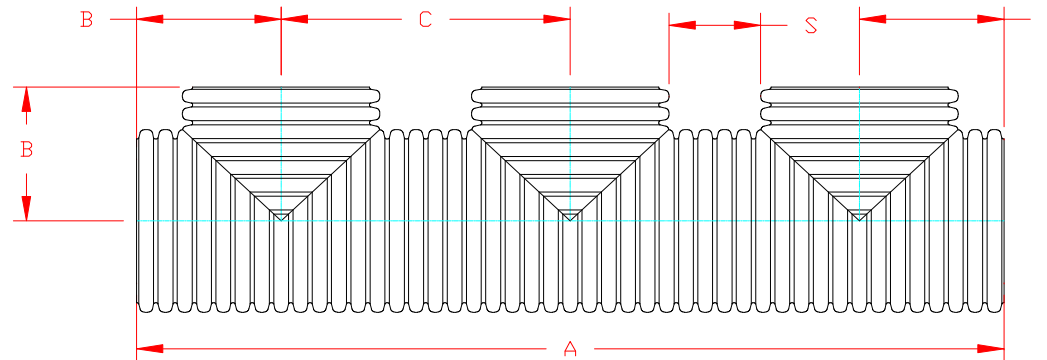
NOTE: ALL FITTINGS DIMENSIONS ARE FOR REFERENCE ONLY



DRAWING #:	4005A	
DRAWN BY:	AWM	03.17.06
APPROVED BY:	JCB	06.28.07
REVISIONS:	NJP	06.28.07

**DUAL WALL FABRICATED "SOIL TIGHT" "PLAIN END" TRIPLE MANIFOLD
12" - 36" DIAMETER**

PART #	PIPE SIZE	A	B	C	D	S
1253AN	12 in (300 mm)	76.2 in (1936 mm)	12.7 in (323 mm)	25.4 in (645 mm)	12.7 in (323 mm)	11.0 in (279 mm)
1553AN	15 in (375 mm)	86.7 in (2202 mm)	14.5 in (367 mm)	28.9 in (734 mm)	14.5 in (367 mm)	11.4 in (289 mm)
1853AN	18 in (450 mm)	105.8 in (2688 mm)	17.6 in (448 mm)	35.3 in (897 mm)	17.6 in (447 mm)	14.1 in (358 mm)
2453AN	24 in (600 mm)	124.1 in (3152 mm)	20.7 in (526 mm)	41.4 in (1051 mm)	20.7 in (526 mm)	13.7 in (348 mm)
3053AN	30 in (750 mm)	159.1 in (4042 mm)	26.5 in (674 mm)	53.1 in (1347 mm)	26.5 in (674 mm)	18.2 in (462 mm)
3653AN	36 in (900 mm)	188.9 in (4798 mm)	31.5 in (800 mm)	63.0 in (1599 mm)	31.5 in (800 mm)	21.8 in (554 mm)



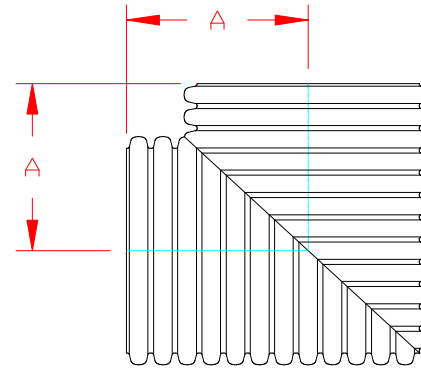
NOTE: ALL FITTINGS DIMENSIONS ARE FOR REFERENCE ONLY



DRAWING #:	4010	
DRAWN BY:	AWM	03.17.06
APPROVED BY:	JCB	06.28.07
REVISIONS:	TJR	05.12.09

DUAL WALL FABRICATED "SOIL TIGHT" "PLAIN END" 90° MANIFOLD BEND
12" - 30" DIAMETER

PART #	PIPE SIZE	A
1298AN	12 in (300 mm)	12.7 in (323 mm)
1598AN	15 in (375 mm)	14.5 in (367 mm)
1898AN	18 in (450 mm)	17.6 in (448 mm)
2498AN	24 in (600 mm)	20.7 in (526 mm)
3098AN	30 in (750 mm)	26.5 in (674 mm)



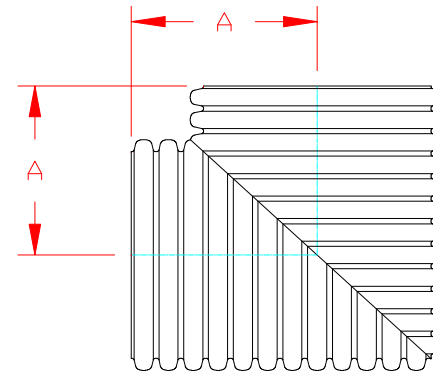
NOTE: ALL FITTINGS DIMENSIONS ARE FOR REFERENCE ONLY



DRAWING #:	4015	
DRAWN BY:	AWM	03.17.06
APPROVED BY:	JCB	06.28.07
REVISIONS:	TJR	05.12.09

DUAL WALL FABRICATED "SOIL TIGHT" "PLAIN END" 90° MANIFOLD BEND
36" - 60" DIAMETER

PART #	PIPE SIZE	A
3698AN	36 in (900 mm)	31.5 in (800 mm)
4298AN	42 in (1050 mm)	36.0 in (914 mm)
4898AN	48 in (1200 mm)	39.3 in (997 mm)
6098AN	60 in (1500 mm)	45.0 in (1143 mm)



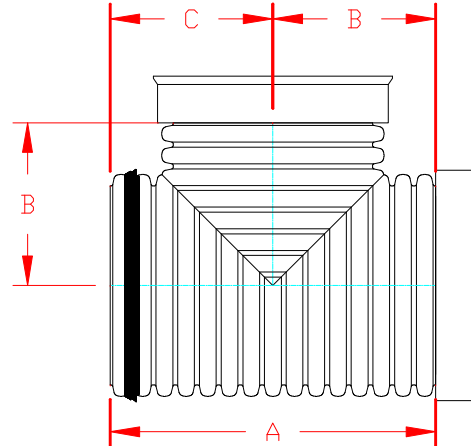
NOTE: ALL FITTINGS DIMENSIONS ARE FOR REFERENCE ONLY



DRAWING #:	4015A	
DRAWN BY:	AWM	03.17.06
APPROVED BY:	JCB	06.28.07
REVISIONS:	NJP	06.20.07


DUAL WALL FABRICATED "WATER TIGHT" "BELL END" SINGLE MANIFOLD
12" - 30" DIAMETER

PART #	PIPE SIZE	A	B	C
1251AN65B	12 in (300 mm)	25.4 in (645 mm)	10.8 in (273 mm)	14.7 in (372 mm)
1551AN65B	15 in (375 mm)	28.9 in (734 mm)	11.8 in (300 mm)	17.1 in (434 mm)
1851AN65B	18 in (450 mm)	35.3 in (896 mm)	14.7 in (373 mm)	20.6 in (523 mm)
2451AN65B	24 in (600 mm)	41.4 in (1051 mm)	17.7 in (450 mm)	23.6 in (600 mm)
3051AN65B	30 in (750 mm)	53.1 in (1347 mm)	22.4 in (570 mm)	30.6 in (777 mm)



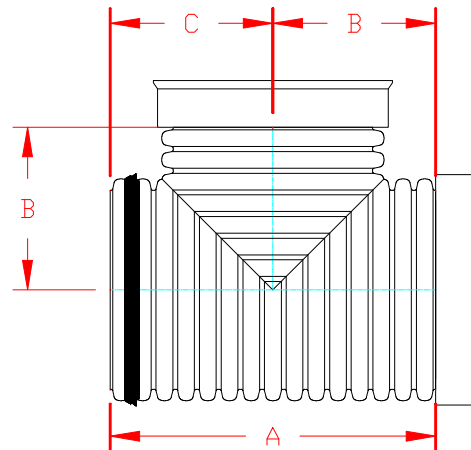
BELL END GASKET NOT INCLUDED WITH FITTING PLEASE ORDER SEPARATELY.

NOTE: ALL FITTINGS DIMENSIONS ARE FOR REFERENCE ONLY

	DRAWING #:	4020	
	DRAWN BY:	AWM	03.17.06
	APPROVED BY:	JCB	06.28.07
	REVISIONS:	TJR	05.12.09

DUAL WALL FABRICATED "WATER TIGHT" "BELL END" SINGLE MANIFOLD
36" - 60" DIAMETER

PART #	PIPE SIZE	A	B	C
3651AN65B	36 in (900 mm)	63.0 in (1599 mm)	26.2 in (666 mm)	36.7 in (933 mm)
4251AN65B	42 in (1050 mm)	71.9 in (1827 mm)	36.0 in (914 mm)	36.0 in (914 mm)
4851AN65B	48 in (1200 mm)	78.5 in (1994 mm)	39.3 in (997 mm)	39.3 in (997 mm)
6051AN65B	60 in (1500 mm)	90.0 in (2286 mm)	39.0 in (991 mm)	51.0 in (1295 mm)



BELL END GASKET NOT INCLUDED WITH FITTING PLEASE ORDER SEPARATELY.

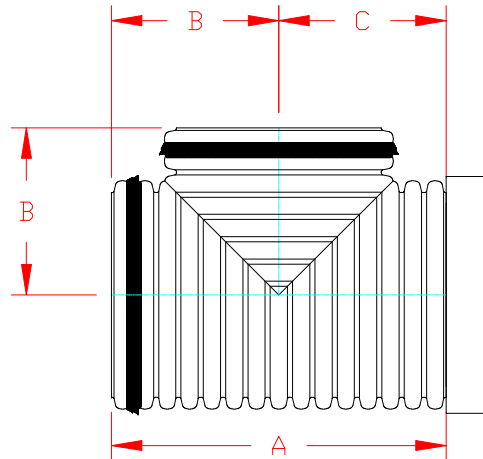
NOTE: ALL FITTINGS DIMENSIONS ARE FOR REFERENCE ONLY




DRAWING #:	4020A	
DRAWN BY:	AWM	03.17.06
APPROVED BY:	JCB	06.28.07
REVISIONS:	NJP	06.28.07

DUAL WALL FABRICATED "WATER TIGHT" "GASKET END" SINGLE MANIFOLD
12" - 30" DIAMETER

PART #	PIPE SIZE	A	B	C
1251AN65G	12 in (300 mm)	25.4 in (645 mm)	14.7 in (372 mm)	10.8 in (273 mm)
1551AN65G	15 in (375 mm)	28.9 in (734 mm)	17.1 in (434 mm)	11.8 in (300 mm)
1851AN65G	18 in (450 mm)	35.3 in (896 mm)	20.6 in (523 mm)	14.7 in (373 mm)
2451AN65G	24 in (600 mm)	41.4 in (1051 mm)	23.6 in (599 mm)	17.7 in (450 mm)
3051AN65G	30 in (750 mm)	53.1 in (1347 mm)	30.6 in (777 mm)	22.4 in (570 mm)

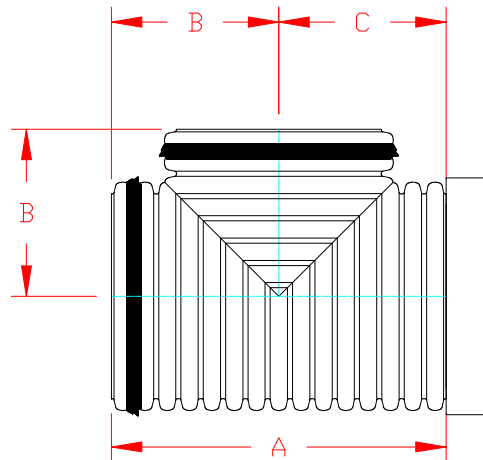


NOTE: ALL FITTINGS DIMENSIONS ARE FOR REFERENCE ONLY

	DRAWING #:	4025	
	DRAWN BY:	AWM	03.17.06
	APPROVED BY:	KCB	06.28.07
	REVISIONS:	TJR	05.12.09

DUAL WALL FABRICATED "WATER TIGHT" "GASKET END" SINGLE MANIFOLD
36" - 60" DIAMETER

PART #	PIPE SIZE	A	B	C
3651AN65G	36 in (900 mm)	63.0 in (1599 mm)	36.7 in (933 mm)	26.2 in (666 mm)
4251AN65G	42 in (1050 mm)	71.9 in (1827 mm)	36.0 in (914 mm)	36.0 in (914 mm)
4851AN65G	48 in (1200 mm)	78.5 in (1994 mm)	39.3 in (997 mm)	39.3 in (997 mm)
6051AN65G	60 in (1500 mm)	90.0 in (2286 mm)	51.0 in (1295 mm)	39.0 in (991 mm)



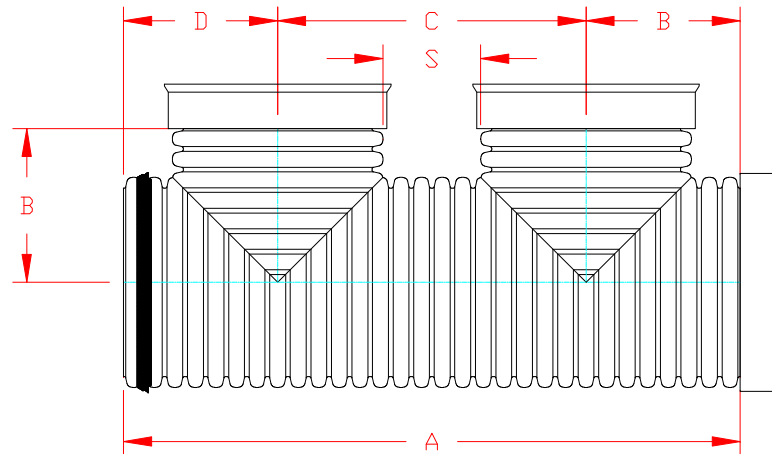
NOTE: ALL FITTINGS DIMENSIONS ARE FOR REFERENCE ONLY



DRAWING #:	4025A	
DRAWN BY:	AWM	03.17.06
APPROVED BY:		
REVISIONS:	NJP	06.28.07


DUAL WALL FABRICATED "WATER TIGHT" "BELL END" DOUBLE MANIFOLD 12" - 30" DIAMETER

PART #	PIPE SIZE	A	B	C	D	S
1252AN65B	12 in (300 mm)	50.8 in (1290 mm)	10.8 in (273 mm)	25.4 in (645 mm)	14.7 in (372 mm)	11.0 in (279 mm)
1552AN65B	15 in (375 mm)	57.8 in (1468 mm)	11.8 in (300 mm)	28.9 in (734 mm)	17.1 in (434 mm)	11.4 in (289 mm)
1852AN65B	18 in (450 mm)	70.6 in (1792 mm)	14.7 in (373 mm)	35.3 in (896 mm)	20.6 in (523 mm)	14.1 in (358 mm)
2452AN65B	24 in (600 mm)	82.7 in (2102 mm)	17.7 in (450 mm)	41.4 in (1051 mm)	23.6 in (600 mm)	13.7 in (348 mm)
3052AN65B	30 in (750 mm)	106.1 in (2695 mm)	22.4 in (570 mm)	53.1 in (1347 mm)	30.6 in (777 mm)	18.2 in (462 mm)



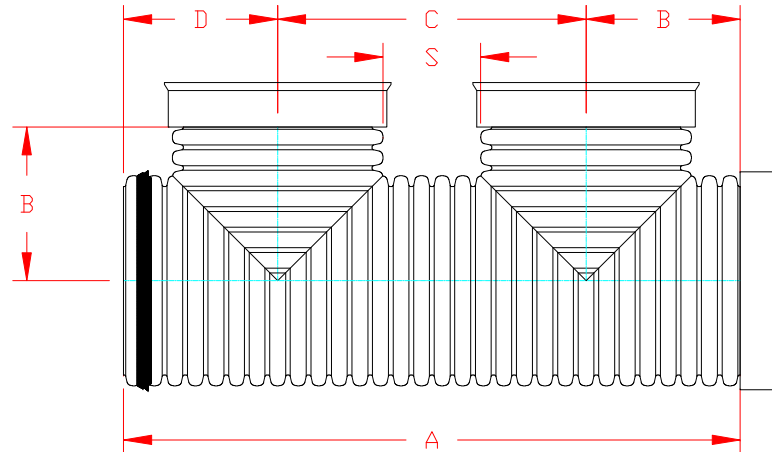
BELL END GASKET NOT INCLUDED WITH FITTING PLEASE ORDER SEPARATELY.

NOTE: ALL FITTINGS DIMENSIONS ARE FOR REFERENCE ONLY

 <small>ADVANCED DRAINAGE SYSTEMS, INC.</small>	DRAWING #:	4030	
	DRAWN BY:	AWM	03.17.06
	APPROVED BY:	JCB	06.28.07
	REVISIONS:	TJR	05.12.09

DUAL WALL FABRICATED "WATER TIGHT" "BELL END" DOUBLE MANIFOLD
36" - 60" DIAMETER

PART #	PIPE SIZE	A	B	C	D	S
3652AN65B	36 in (900 mm)	125.9 in (3199 mm)	26.2 in (666 mm)	63.0 in (1599 mm)	36.7 in (933 mm)	21.8 in (554 mm)
4252AN65B	42 in (1050 mm)	143.9 in (3654 mm)	36.0 in (914 mm)	71.9 in (1827 mm)	36.0 in (914 mm)	24.1 in (613 mm)
4852AN65B	48 in (1200 mm)	157.0 in (3988 mm)	39.3 in (997 mm)	78.5 in (1994 mm)	39.3 in (997 mm)	24.9 in (632 mm)
6052AN65B	60 in (1500 mm)	180.0 in (4572 mm)	39.0 in (991 mm)	90.0 in (2286 mm)	51.0 in (1295 mm)	23.9 in (607 mm)



BELL END GASKET NOT INCLUDED WITH FITTING PLEASE ORDER SEPARATELY.

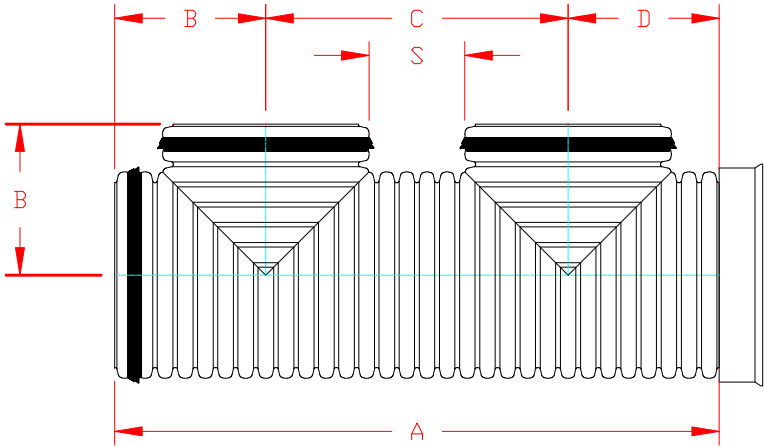
NOTE: ALL FITTINGS DIMENSIONS ARE FOR REFERENCE ONLY




DRAWING #:	4030A	
DRAWN BY:	AWM	03.17.06
APPROVED BY:	JCB	06.28.07
REVISIONS:	NJP	06.28.07

**DUAL WALL FABRICATED "WATER TIGHT" "GASKET END" DOUBLE MANIFOLD
12" - 30" DIAMETER**

PART #	PIPE SIZE	A	B	C	D	S
1252AN65G	12 in (300 mm)	50.8 in (1290 mm)	14.7 in (372 mm)	25.4 in (645 mm)	10.8 in (273 mm)	11.0 in (279 mm)
1552AN65G	15 in (375 mm)	57.8 in (1468 mm)	17.1 in (434 mm)	28.9 in (734 mm)	11.8 in (300 mm)	11.4 in (289 mm)
1852AN65G	18 in (450 mm)	70.6 in (1792 mm)	20.6 in (523 mm)	35.3 in (896 mm)	14.7 in (373 mm)	14.1 in (358 mm)
2452AN65G	24 in (600 mm)	82.7 in (2102 mm)	23.6 in (600 mm)	41.4 in (1051 mm)	17.7 in (450 mm)	13.7 in (347 mm)
3052AN65G	30 in (750 mm)	106.1 in (2695 mm)	30.6 in (777 mm)	53.1 in (1347 mm)	22.4 in (570 mm)	18.2 in (462 mm)

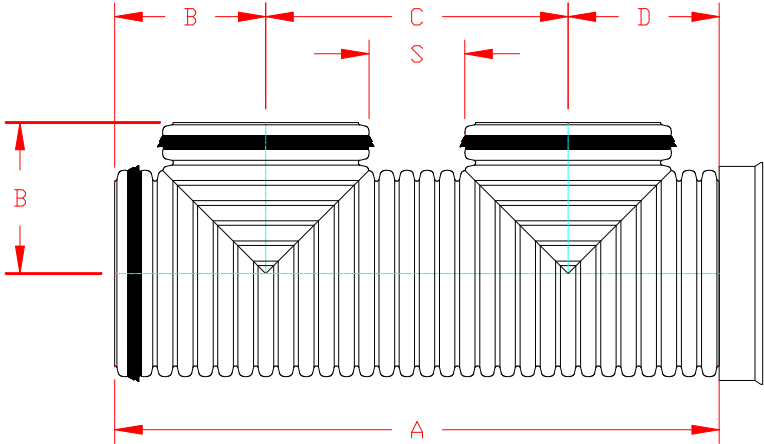


NOTE: ALL FITTINGS DIMENSIONS ARE FOR REFERENCE ONLY


	DRAWING #:	4035	
	DRAWN BY:	AWM	03.17.06
	APPROVED BY:	JCB	06.28.07
	REVISIONS:	TJR	05.12.09

DUAL WALL FABRICATED "WATER TIGHT" "GASKET END" DOUBLE MANIFOLD
36" - 60" DIAMETER

PART #	PIPE SIZE	A	B	C	D	S
3652AN65G	36 in (900 mm)	125.9 in (3199 mm)	36.7 in (933 mm)	63.0 in (1599 mm)	26.2 in (666 mm)	21.8 in (554 mm)
4252AN65G	42 in (1050 mm)	143.9 in (3654 mm)	36.0 in (914 mm)	71.9 in (1827 mm)	36.0 in (914 mm)	24.1 in (613 mm)
4852AN65G	48 in (1200 mm)	157.0 in (3988 mm)	39.3 in (997 mm)	78.5 in (1994 mm)	39.3 in (997 mm)	24.9 in (632 mm)
6052AN65G	60 in (1500 mm)	180.0 in (4572 mm)	51.0 in (1295 mm)	90.0 in (2286 mm)	39.0 in (991 mm)	23.9 in (607 mm)

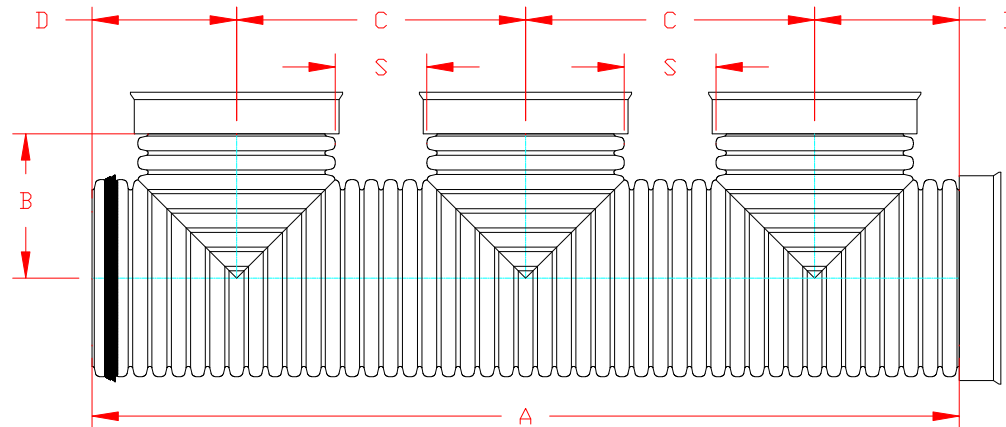


NOTE: ALL FITTINGS DIMENSIONS ARE FOR REFERENCE ONLY

	DRAWING #:	4035A
	DRAWN BY:	AWM 03.17.06
	APPROVED BY:	JCB 06.28.07
	REVISIONS:	NJP 06.28.07

DUAL WALL FABRICATED "WATER TIGHT" "BELL END" TRIPLE MANIFOLD 12" - 36" DIAMETER

PART #	PIPE SIZE	A	B	C	D	S
1253AN65B	12 in (300 mm)	76.2 in (1936 mm)	10.8 in (273 mm)	25.4 in (645 mm)	14.7 in (372 mm)	11.0 in (279 mm)
1553AN65B	15 in (375 mm)	86.7 in (2202 mm)	11.8 in (300 mm)	28.9 in (734 mm)	17.1 in (434 mm)	11.4 in (289 mm)
1853AN65B	18 in (450 mm)	105.8 in (2688 mm)	14.7 in (373 mm)	35.3 in (896 mm)	20.6 in (523 mm)	14.1 in (358 mm)
2453AN65B	24 in (600 mm)	124.1 in (3152 mm)	17.7 in (450 mm)	41.4 in (1051 mm)	23.6 in (600 mm)	13.7 in (348 mm)
3053AN65B	30 in (750 mm)	159.1 in (4042 mm)	22.4 in (570 mm)	53.1 in (1347 mm)	30.6 in (777 mm)	18.2 in (462 mm)
3653AN65B	36 in (900 mm)	188.9 in (4798 mm)	26.2 in (666 mm)	63.0 in (1599 mm)	36.7 in (933 mm)	21.8 in (554 mm)



BELL END GASKET NOT INCLUDED WITH FITTING PLEASE ORDER SEPARATELY.

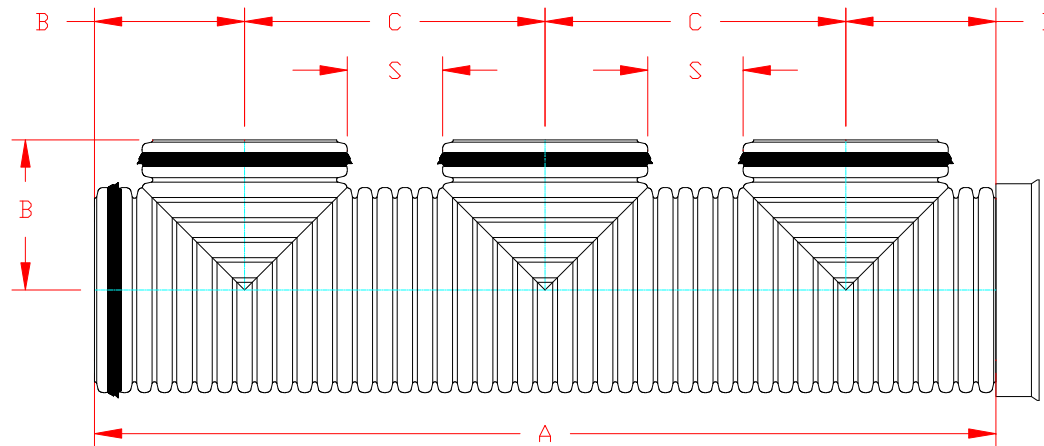
NOTE: ALL FITTINGS DIMENSIONS ARE FOR REFERENCE ONLY



DRAWING #:	4040	
DRAWN BY:	AWM	03.17.06
APPROVED BY:	JCB	06.28.07
REVISIONS:	TJR	05.12.09

**DUAL WALL FABRICATED "WATER TIGHT" "GASKET END" TRIPLE MANIFOLD
12" - 36" DIAMETER**

PART #	PIPE SIZE	A	B	C	D	S
1253AN65G	12 in (300 mm)	76.2 in (1936 mm)	14.7 in (372 mm)	25.4 in (645 mm)	10.8 in (273 mm)	11.0 in (279 mm)
1553AN65G	15 in (375 mm)	86.7 in (2202 mm)	17.1 in (434 mm)	28.9 in (734 mm)	11.8 in (300 mm)	11.4 in (289 mm)
1853AN65G	18 in (450 mm)	105.8 in (2688 mm)	20.6 in (523 mm)	35.3 in (896 mm)	14.7 in (373 mm)	14.1 in (358 mm)
2453AN65G	24 in (600 mm)	124.1 in (3152 mm)	23.6 in (600 mm)	41.4 in (1051 mm)	17.7 in (450 mm)	13.7 in (348 mm)
3053AN65G	30 in (750 mm)	159.1 in (4042 mm)	30.6 in (777 mm)	53.1 in (1347 mm)	22.4 in (570 mm)	18.2 in (462 mm)
3653AN65G	36 in (900 mm)	188.9 in (4798 mm)	36.7 in (933 mm)	63.0 in (1599 mm)	26.2 in (666 mm)	21.8 in (554 mm)



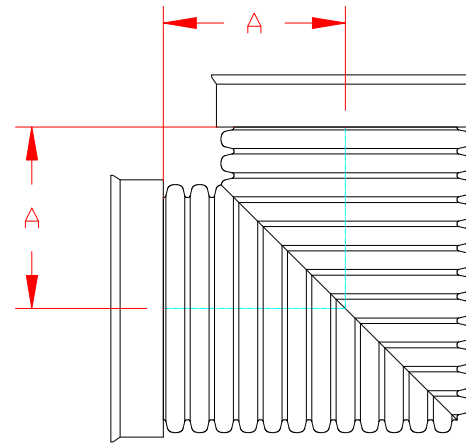
NOTE: ALL FITTINGS DIMENSIONS ARE FOR REFERENCE ONLY



DRAWING #:	4045	
DRAWN BY:	AWM	03.17.06
APPROVED BY:	JCB	06.28.07
REVISIONS:	TJR	05.12.09

DUAL WALL FABRICATED "WATER TIGHT" "BELL-BELL" 90° MANIFOLD BEND
12" - 30" DIAMETER

PART #	PIPE SIZE	A
1298AN65BB	12 in (300 mm)	10.8 in (273 mm)
1598AN65BB	15 in (375 mm)	11.8 in (300 mm)
1898AN65BB	18 in (450 mm)	14.7 in (373 mm)
2498AN65BB	24 in (600 mm)	17.7 in (450 mm)
3098AN65BB	30 in (750 mm)	22.4 in (570 mm)



BELL END GASKET NOT INCLUDED WITH FITTING PLEASE ORDER SEPARATELY.

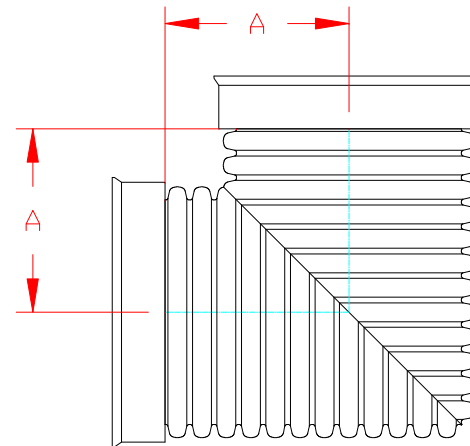
NOTE: ALL FITTINGS DIMENSIONS ARE FOR REFERENCE ONLY



DRAWING #:	4050	
DRAWN BY:	AWM	03.17.06
APPROVED BY:	JCB	06.28.07
REVISIONS:	TJR	05.12.09

DUAL WALL FABRICATED "WATER TIGHT" "BELL-BELL" 90° MANIFOLD BEND
36" - 60" DIAMETER

PART #	PIPE SIZE	A
3698AN65BB	36 in (900 mm)	26.2 in (666 mm)
4298AN65BB	42 in (1050 mm)	36.0 in (914 mm)
4898AN65BB	48 in (1200 mm)	39.3 in (997 mm)
6098AN65BB	60 in (1500 mm)	39.0 in (991 mm)



BELL END GASKET NOT INCLUDED WITH FITTING PLEASE ORDER SEPARATELY.

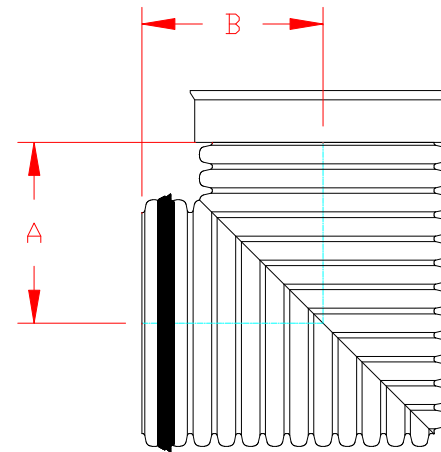
NOTE: ALL FITTINGS DIMENSIONS ARE FOR REFERENCE ONLY



DRAWING #:	4050A	
DRAWN BY:	AWM	03.17.06
APPROVED BY:	JCB	06.28.07
REVISIONS:	NJP	06.28.07

DUAL WALL FABRICATED "WATER TIGHT" "BELL-GASKET" 90° MANIFOLD BEND
12" - 30" DIAMETER

PART #	PIPE SIZE	A	B
1298AN65BG	12 in (300 mm)	10.8 in (273 mm)	14.7 in (372 mm)
1598AN65BG	15 in (375 mm)	11.8 in (300 mm)	17.1 in (434 mm)
1898AN65BG	18 in (450 mm)	14.7 in (373 mm)	20.6 in (523 mm)
2498AN65BG	24 in (600 mm)	17.7 in (450 mm)	23.6 in (600 mm)
3098AN65BG	30 in (750 mm)	22.4 in (570 mm)	30.6 in (777 mm)



BELL END GASKET NOT INCLUDED WITH FITTING PLEASE ORDER SEPARATELY.

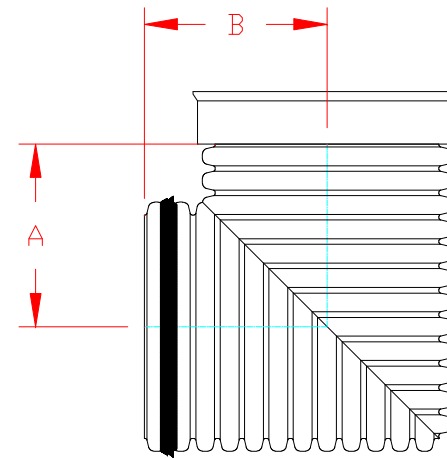
NOTE: ALL FITTINGS DIMENSIONS ARE FOR REFERENCE ONLY



DRAWING #:	4055	
DRAWN BY:	AWM	03.17.06
APPROVED BY:	JCB	06.28.07
REVISIONS:	TJR	05.12.09

DUAL WALL FABRICATED "WATER TIGHT" "BELL-GASKET" 90° MANIFOLD BEND
36" - 60" DIAMETER

PART #	PIPE SIZE	A	B
3698AN65BG	36 in (900 mm)	26.2 in (666 mm)	36.7 in (933 mm)
4298AN65BG	42 in (1050 mm)	36.0 in (914 mm)	36.0 in (914 mm)
4898AN65BG	48 in (1200 mm)	39.3 in (997 mm)	39.3 in (997 mm)
6098AN65BG	60 in (1500 mm)	39.0 in (991 mm)	51.0 in (1295 mm)



BELL END GASKET NOT INCLUDED WITH FITTING PLEASE ORDER SEPARATELY.

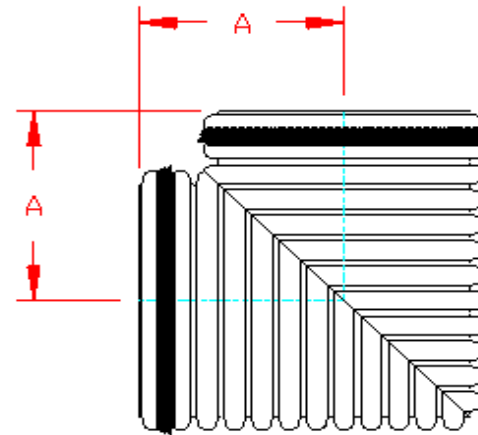
NOTE: ALL FITTINGS DIMENSIONS ARE FOR REFERENCE ONLY



DRAWING #:	4055A	
DRAWN BY:	AWM	03.17.06
APPROVED BY:	JCB	06.28.07
REVISIONS:	NJP	06.28.07

DUAL WALL FABRICATED "WATER TIGHT" "GASKET-GASKET" 90° MANIFOLD BEND
 12" - 30" DIAMETER

PART #	PIPE SIZE	A
1298AN65GG	12 in (300 mm)	14.7 in (372 mm)
1598AN65GG	15 in (375 mm)	17.1 in (434 mm)
1898AN65GG	18 in (450 mm)	20.6 in (523 mm)
2498AN65GG	24 in (600 mm)	23.6 in (600 mm)
3098AN65GG	30 in (750 mm)	30.6 in (777 mm)



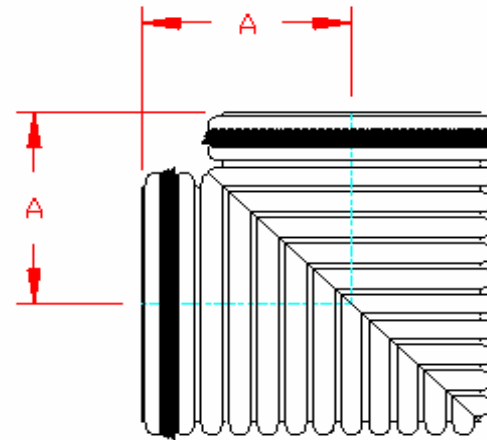
NOTE: ALL FITTINGS DIMENSIONS ARE FOR REFERENCE ONLY



DRAWING #:	4060	
DRAWN BY:	AWM	03.17.06
APPROVED BY:	JCB	06.28.07
REVISIONS:	TJR	05.12.09

DUAL WALL FABRICATED "WATER TIGHT" "GASKET-GASKET" 90° MANIFOLD BEND
 36" - 60" DIAMETER

PART #	PIPE SIZE	A
3698AN65GG	36 in (900 mm)	36.7 in (933 mm)
4298AN65GG	42 in (1050 mm)	36.0 in (914 mm)
4898AN65GG	48 in (1200 mm)	39.3 in (997 mm)
6098AN65GG	60 in (1500 mm)	51.0 in (1295 mm)



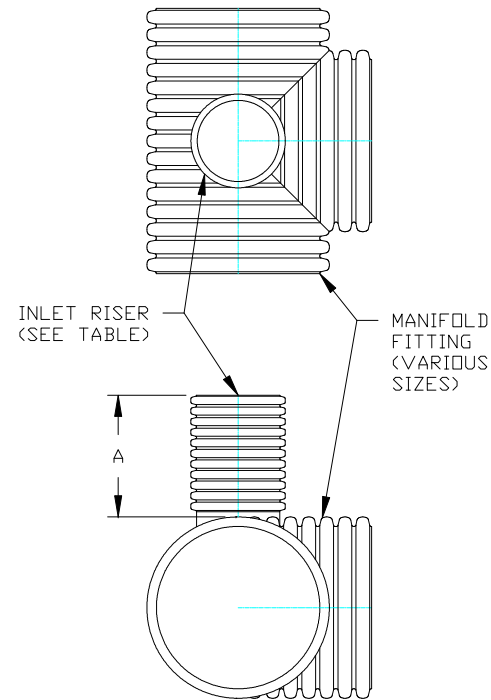
NOTE: ALL FITTINGS DIMENSIONS ARE FOR REFERENCE ONLY



DRAWING #:	4060A	
DRAWN BY:	AWM	03.17.06
APPROVED BY:	JCB	06.28.07
REVISIONS:	NJP	06.28.07

DUAL WALL FABRICATED MANIFOLD INLET RISER

PART #	PIPE SIZE	A
0403AN	4 in (100 mm)	24.0 in (610 mm)
0603AN	6 in (150 mm)	24.0 in (610 mm)
0803AN	8 in (200 mm)	24.0 in (610 mm)
1003AN	10 in (250 mm)	24.0 in (610 mm)
1203AN	12 in (300 mm)	24.0 in (610 mm)
1503AN	15 in (375 mm)	36.0 in (914 mm)
1803AN	18 in (450 mm)	36.0 in (914 mm)
2403AN	24 in (600 mm)	36.0 in (914 mm)



This component item can only be ordered with standard manifold fittings or standard pipe. When ordering this component item, be sure to include shop drawing showing the location of inlet riser on standard manifold or pipe product.

Contact your local sales representative for acceptable size combinations, ie 48" manifold fitting with a 24" riser. **Not all combinations of inlet riser on standard manifold or pipe product are allowed.**

NOTE: ALL FITTINGS DIMENSIONS ARE FOR REFERENCE ONLY

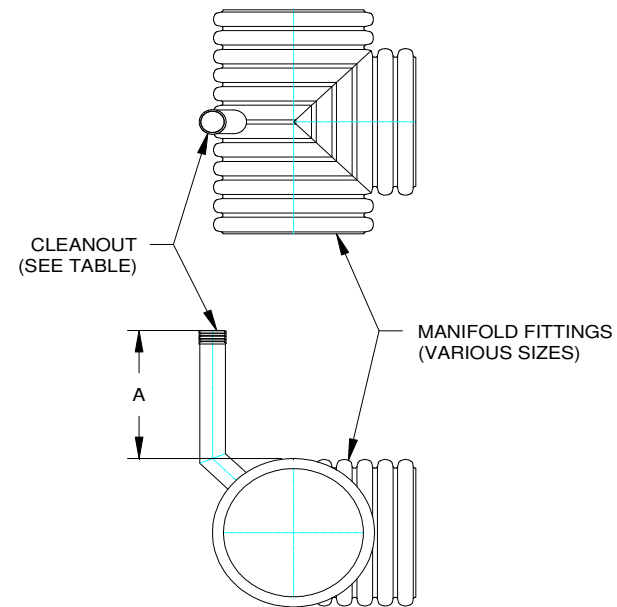


DRAWING #:	4065	
DRAWN BY:	AWM	07.13.06
APPROVED BY:	JCB	06.21.07
REVISIONS:	NJP	06.20.07

DUAL WALL FABRICATED MANIFOLD CLEANOUT RISER

PART #	PIPE SIZE	A
0402AN	4 in (100 mm)	36.0 in (914 mm)
0602AN	6 in (150 mm)	36.0 in (914 mm)
0802AN	8 in (200 mm)	36.0 in (914 mm)

This component item can only be ordered with standard manifold fittings or standard pipe. When ordering this component item, be sure to include shop drawing showing the location of cleanout riser on standard manifold.



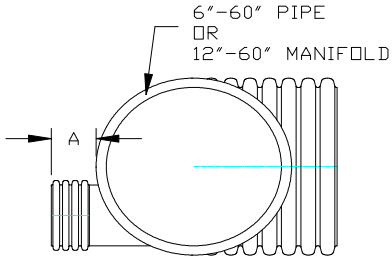
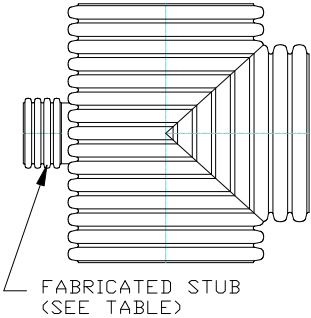
NOTE: ALL FITTINGS DIMENSIONS ARE FOR REFERENCE ONLY



DRAWING #:	4070	
DRAWN BY:	AWM	07.13.06
APPROVED BY:	JCB	06.28.07
REVISIONS:	TJR	10.23.07

DUAL WALL FABRICATED STUB


PART #	PIPE SIZE	A
0406AN	4 in (100 mm)	12.0 in (305 mm)
0606AN	6 in (150 mm)	12.0 in (305 mm)
0806AN	8 in (200 mm)	12.0 in (305 mm)
1006AN	10 in (250 mm)	12.0 in (305 mm)
1206AN	12 in (300 mm)	12.0 in (305 mm)
1506AN	15 in (375 mm)	16.0 in (406 mm)
1806AN	18 in (450 mm)	16.0 in (406 mm)
2406AN	24 in (600 mm)	16.0 in (406 mm)



This component item can only be ordered with standard manifold fittings or standard pipe. When ordering this component item, be sure to include shop drawing showing the location of stub on standard manifold or pipe product.

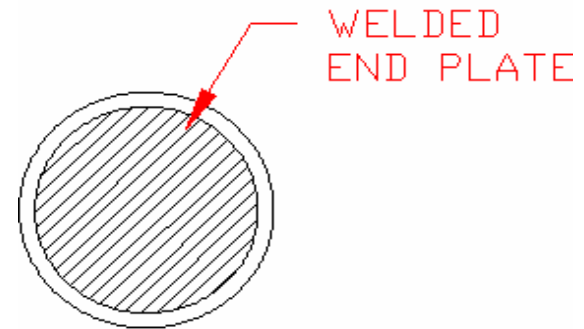
Contact your local sales representative for acceptable size combinations, ie 48" manifold fitting with a 24" stub. **Not all combinations of stub on standard manifold or pipe product are allowed.**

NOTE: ALL FITTINGS DIMENSIONS ARE FOR REFERENCE ONLY

	DRAWING #:	4075
	DRAWN BY:	AWM 07.13.06
	APPROVED BY:	JCB 06.28.07
	REVISIONS:	NJP 06.20.07

WELDED END PLATE
(ST/WT CONNECTION)

PART #	PIPE SIZE	PLATE THICKNESS	STIFFENERS
0409AN	4 in (100 mm)	0.25"	0
0609AN	6 in (150 mm)	0.25"	0
0809AN	8 in (200 mm)	0.25"	0
1009AN	10 in (250 mm)	0.25"	0
1209AN	12 in (300 mm)	0.25"	0
1509AN	15 in (375 mm)	0.25"	0
1809AN	18 in (450 mm)	0.375"	0
2409AN	24 in (600 mm)	0.375"	0
3009AN	30 in (750 mm)	0.375"	0
3609AN	36 in (900 mm)	0.5"	2
4209AN	42 in (1050 mm)	0.5"	2
4809AN	48 in (1200 mm)	0.5"	2
6009AN	60 in (1500 mm)	0.5"	2

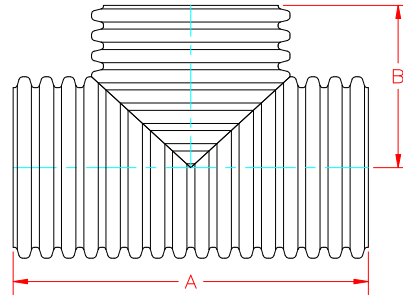


NOTE: ALL FITTINGS DIMENSIONS ARE FOR REFERENCE ONLY



DRAWING #:	4080	
DRAWN BY:	CRM	02.20.07
APPROVED BY:	JCB	06.28.07
REVISIONS:	NJP	06.20.07

STORMTECH DUAL WALL FABRICATED "SOIL TIGHT" "PLAIN END" SINGLE MANIFOLD
6" - 24" DIAMETER



PART #	PIPE SIZE	CHAMBER SIZE	A	B
0651AN7406	6 in (150 mm)	SC-740	57.0 in (1447 mm)	28.5 in (724 mm)
0851AN7408	8 in (200 mm)	SC-740	56.6 in (1439 mm)	28.3 in (719 mm)
1051AN7410	10 in (250 mm)	SC-740	56.7 in (1440 mm)	28.4 in (720 mm)
1251AN7412	12 in (300 mm)	SC-740	57.6 in (1463 mm)	28.8 in (732 mm)
1551AN7415	15 in (375 mm)	SC-740	57.0 in (1447 mm)	28.5 in (724 mm)
1851AN7418	18 in (450 mm)	SC-740	56.3 in (1430 mm)	28.1 in (715 mm)
2451AN7424	24 in (600 mm)	SC-740	56.7 in (1440 mm)	28.4 in (720 mm)

PART #	PIPE SIZE	CHAMBER SIZE	A	B
0651AN3106	6 in (150 mm)	SC-310	39.3 in (997 mm)	19.6 in (499 mm)
0851AN3108	8 in (200 mm)	SC-310	39.4 in (1000 mm)	19.7 in (500 mm)
1051AN3110	10 in (250 mm)	SC-310	39.1 in (992 mm)	19.5 in (496 mm)
1251AN3112	12 in (300 mm)	SC-310	40.3 in (1024 mm)	20.2 in (512 mm)

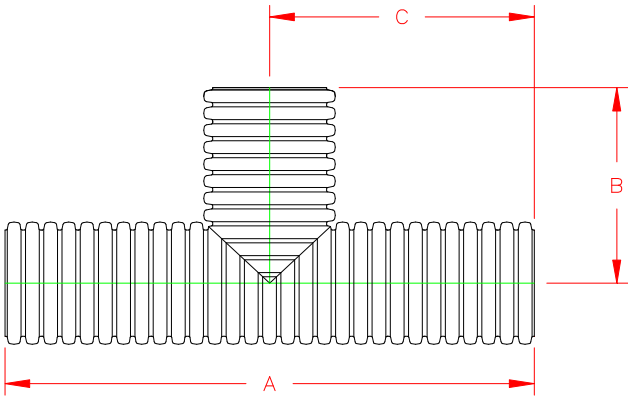
NOTE: ALL FITTINGS DIMENSIONS ARE FOR REFERENCE ONLY



ADVANCED DRAINAGE SYSTEMS, INC.


DRAWING #:	5000	
DRAWN BY:	TJR	11.15.07
APPROVED BY:	TJR	11.15.07
REVISIONS:		

STORMTECH DUAL WALL FABRICATED "SOIL TIGHT" SINGLE MANIFOLD
 12" - 24" DIAMETER

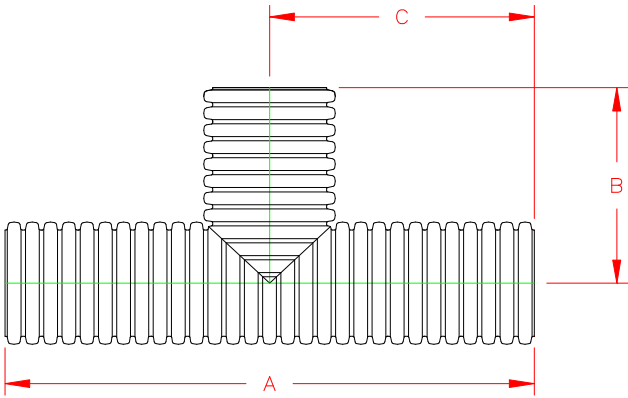


PART #	PIPE SIZE	CHAMBER SIZE	A	B	C
1251AN3512	12 in (300 mm)	3500	84.0 in (2134 mm)	40.1 in (1018 mm)	42.0 in (1067 mm)
1551AN3515	15 in (375 mm)	3500	84.1 in (2135 mm)	43.4 in (1101 mm)	42.1 in (1068 mm)
1851AN3518	18 in (450 mm)	3500	82.3 in (2091 mm)	44.1 in (1120 mm)	41.2 in (1045 mm)
2451AN3524	24 in (600 mm)	3500	85.1 in (2160 mm)	49.4 in (1255 mm)	42.6 in (1081 mm)

NOTE: ALL FITTINGS DIMENSIONS ARE FOR REFERENCE ONLY

	DRAWING #:	5005	DATE
	DRAWN BY:	CAS	01.06.2010
	APPROVED BY:		
	REVISIONS:	CAS	01.22.2020

**STORMTECH DUAL WALL FABRICATED "SOIL TIGHT" SINGLE MANIFOLD
12" - 24" DIAMETER**

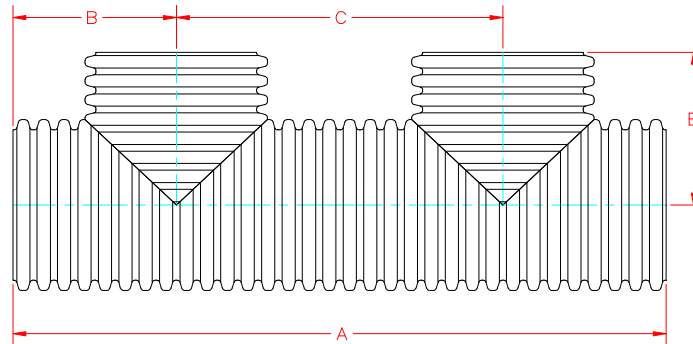


PART #	PIPE SIZE	CHAMBER SIZE	A	B	C
1251AN4512	12 in (300 mm)	4500	109.2 in (2774 mm)	85.3 in (2167 mm)	54.6 in (1387 mm)
1551AN4515	15 in (375 mm)	4500	109.3 in (2776 mm)	89.4 in (2271 mm)	54.7 in (1389 mm)
1851AN4518	18 in (450 mm)	4500	109.3 in (2776 mm)	86.9 in (2207 mm)	54.7 in (1389 mm)
2451AN4524	24 in (600 mm)	4500	110.6 in (2809 mm)	86.1 in (2187 mm)	55.3 in (1405 mm)

NOTE: ALL FITTINGS DIMENSIONS ARE FOR REFERENCE ONLY

	DRAWING #:	5010	DATE
	DRAWN BY:	KAM	2/28/2013
	APPROVED BY:		
	REVISIONS:	WLG	3/19/2013

STORMTECH DUAL WALL FABRICATED "SOIL TIGHT" "PLAIN END" DOUBLE MANIFOLD
6" - 24" DIAMETER



PART #	PIPE SIZE	CHAMBER SIZE	A	B	C
0652AN7406	6 in (150 mm)	SC-740	114.0 in (2896 mm)	28.5 in (724 mm)	57.0 in (1447 mm)
0852AN7408	8 in (200 mm)	SC-740	113.3 in (2877 mm)	28.3 in (719 mm)	56.6 in (1439 mm)
1052AN7410	10 in (250 mm)	SC-740	113.4 in (2880 mm)	28.4 in (720 mm)	56.7 in (1440 mm)
1252AN7412	12 in (300 mm)	SC-740	115.2 in (2926 mm)	28.8 in (732 mm)	57.6 in (1463 mm)
1552AN7415	15 in (375 mm)	SC-740	114.0 in (2895 mm)	28.5 in (724 mm)	57.0 in (1447 mm)
1852AN7418	18 in (450 mm)	SC-740	112.6 in (2859 mm)	28.1 in (715 mm)	56.3 in (1430 mm)
2452AN7424	24 in (600 mm)	SC-740	113.4 in (2880 mm)	28.4 in (720 mm)	56.7 in (1440 mm)

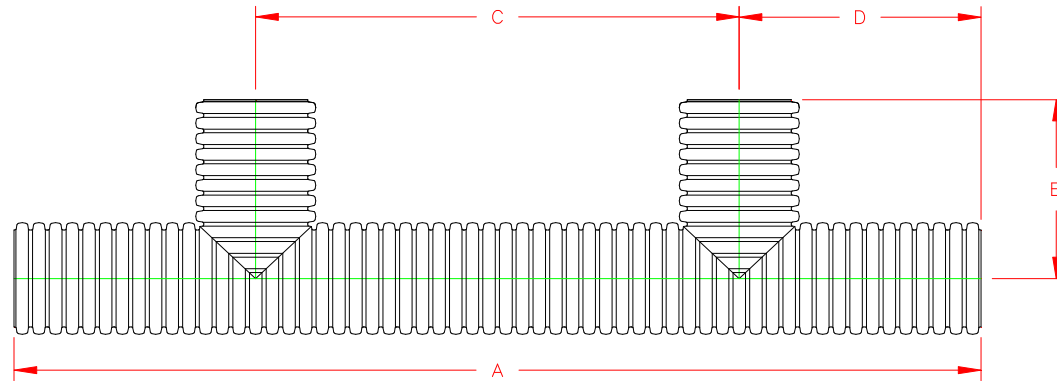
PART #	PIPE SIZE	CHAMBER SIZE	A	B	C
0652AN3106	6 in (150 mm)	SC-310	78.5 in (1995 mm)	19.6 in (499 mm)	39.3 in (997 mm)
0852AN3108	8 in (200 mm)	SC-310	78.7 in (1999 mm)	19.7 in (500 mm)	39.4 in (1001 mm)
1052AN3110	10 in (250 mm)	SC-310	79.4 in (2016 mm)	19.5 in (496 mm)	39.1 in (992 mm)
1252AN3112	12 in (300 mm)	SC-310	80.6 in (2048 mm)	20.2 in (512 mm)	40.3 in (1024 mm)

NOTE: ALL FITTINGS DIMENSIONS ARE FOR REFERENCE ONLY



DRAWING #:	5050	
DRAWN BY:	TJR	11.15.07
APPROVED BY:	TJR	11.15.07
REVISIONS:		

STORMTECH DUAL WALL FABRICATED "SOIL TIGHT" DOUBLE MANIFOLD
12" - 24" DIAMETER



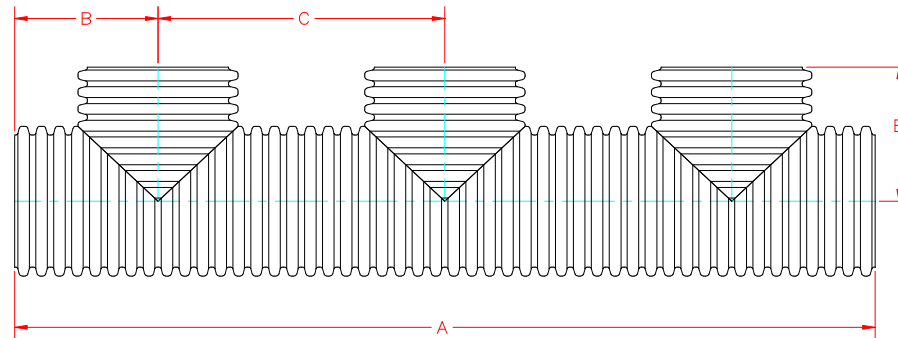
PART #	PIPE SIZE	CHAMBER SIZE	A	B	C	D
1252AN3512	12 in (300 mm)	3500	168.0 in (4268 mm)	40.1 in (1018 mm)	84.0 in (2134 mm)	42.0 in (1067 mm)
1552AN3515	15 in (375 mm)	3500	168.1 in (4270 mm)	43.4 in (1101 mm)	84.1 in (2135 mm)	42.0 in (1068 mm)
1852AN3518	18 in (450 mm)	3500	164.6 in (4182 mm)	44.1 in (1120 mm)	82.3 in (2091 mm)	41.2 in (1045 mm)
2452AN3524	24 in (600 mm)	3500	170.1 in (4321 mm)	49.4 in (1255 mm)	85.1 in (2160 mm)	42.5 in (1080 mm)

NOTE: ALL FITTINGS DIMENSIONS ARE FOR REFERENCE ONLY



DRAWING #:	5055	DATE
DRAWN BY:	CAS	01.06.2010
APPROVED BY:		
REVISIONS:	CAS	01.22.2010

**STORMTECH DUAL WALL FABRICATED "SOIL TIGHT" "PLAIN END" TRIPLE MANIFOLD
6" - 24" DIAMETER**



PART #	PIPE SIZE	CHAMBER SIZE	A	B	C
0653AN7406	6 in (150 mm)	SC -740	170.9 in (4342 mm)	28.6 in (727 mm)	57.0 in (1447 mm)
0853AN7408	8 in (200 mm)	SC -740	169.9 in (4316 mm)	28.3 in (719 mm)	56.6 in (1439 mm)
1053AN7410	10 in (250 mm)	SC -740	170.1 in (4321 mm)	28.4 in (720 mm)	56.7 in (1440 mm)
1253AN7412	12 in (300 mm)	SC -740	172.8 in (4389 mm)	28.8 in (732 mm)	57.6 in (1463 mm)
1553AN7415	15 in (375 mm)	SC -740	170.9 in (4342 mm)	28.5 in (724 mm)	57.0 in (1447 mm)
1853AN7418	18 in (450 mm)	SC -740	168.8 in (4289 mm)	28.1 in (715 mm)	56.3 in (1430 mm)
2453AN7424	24 in (600 mm)	SC -740	170.1 in (4321 mm)	28.4 in (720 mm)	56.7 in (1440 mm)

PART #	PIPE SIZE	CHAMBER SIZE	A	B	C
0653AN3106	6 in (150 mm)	SC-310	117.8 in (2992 mm)	19.6 in (499 mm)	39.3 in (997 mm)
0853AN3108	8 in (200 mm)	SC-310	118.1 in (2999 mm)	19.7 in (500 mm)	39.4 in (1000 mm)
1053AN3110	10 in (250 mm)	SC-310	117.2 in (2976 mm)	19.5 in (496 mm)	39.1 in (992 mm)
1253AN3112	12 in (300 mm)	SC-310	121.0 in (3072 mm)	20.1 in (511 mm)	40.3 in (1024 mm)

NOTE: ALL FITTINGS DIMENSIONS ARE FOR REFERENCE ONLY

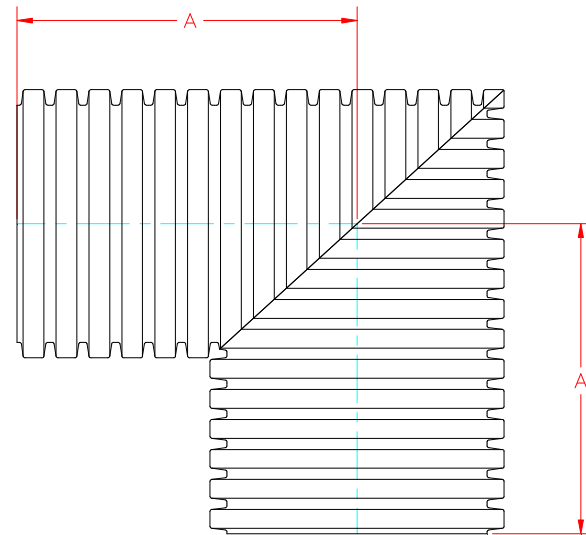


DRAWING #:	5100	
DRAWN BY:	TJR	11.15.07
APPROVED BY:	TJR	11.15.07
REVISIONS:		

**STORMTECH DUAL WALL FABRICATED "SOIL TIGHT" "PLAIN END" 90° MANIFOLD BEND
6" - 24" DIAMETER**

PART #	PIPE SIZE	CHAMBER SIZE	A
0698AN74	6 in (150 mm)	SC-740	28.6 in (727 mm)
0898AN74	8 in (200 mm)	SC-740	28.3 in (719 mm)
1098AN74	10 in (250 mm)	SC-740	28.4 in (720 mm)
1298AN74	12 in (300 mm)	SC-740	28.8 in (732 mm)
1598AN74	15 in (375 mm)	SC-740	28.5 in (724 mm)
1898AN74	18 in (450 mm)	SC-740	28.1 in (715 mm)
2498AN74	24 in (600 mm)	SC-740	28.4 in (720 mm)

PART #	PIPE SIZE	PIPE SIZE	A
0698AN31	6 in (150 mm)	SC-310	19.6 in (499 mm)
0898AN31	8 in (200 mm)	SC-310	19.7 in (500 mm)
1098AN31	10 in (250 mm)	SC-310	19.5 in (496 mm)
1298AN31	12 in (300 mm)	SC-310	20.2 in (512 mm)

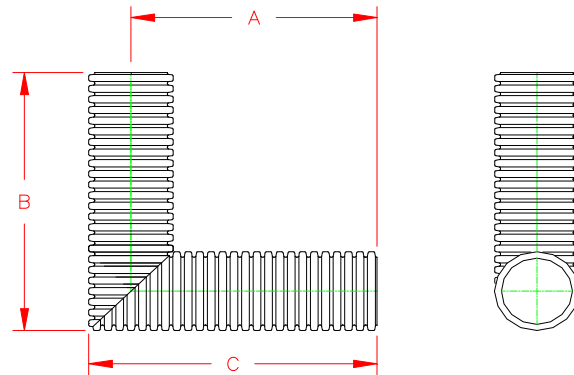


NOTE: ALL FITTINGS DIMENSIONS ARE FOR REFERENCE ONLY



DRAWING #:	5150	
DRAWN BY:	TJR	11.15.07
APPROVED BY:	TJR	11.15.07
REVISIONS:		

STORMTECH DUAL WALL FABRICATED "SOIL TIGHT" ELBOWS
12" - 24" DIAMETER



PART #	PIPE SIZE	CHAMBER SIZE	A	B	C
1298AN3512	12 in (300 mm)	3500	42.0 in (1067 mm)	47.3 in (1201 mm)	48.5 in (1232 mm)
1598AN3515	15 in (375 mm)	3500	43.4 in (1101 mm)	52.1 in (1324 mm)	52.1 in (1324 mm)
1898AN3518	18 in (450 mm)	3500	41.2 in (1045 mm)	54.7 in (1389 mm)	54.7 in (1389 mm)
2498AN3524	24 in (600 mm)	3500	42.5 in (1080 mm)	63.3 in (1608 mm)	56.0 in (1423 mm)

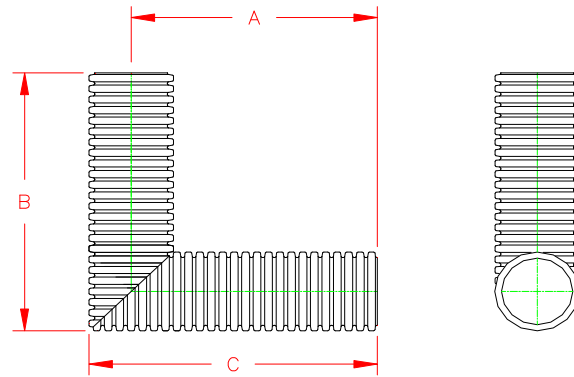
NOTE: ALL FITTINGS DIMENSIONS ARE FOR REFERENCE ONLY



ADVANCED DRAINAGE SYSTEMS, INC.

DRAWING #:	5175	DATE
DRAWN BY:	CAS	01.06.2010
APPROVED BY:		
REVISIONS:	CAS	01.22.2010

STORMTECH DUAL WALL FABRICATED "SOIL TIGHT" ELBOWS
12" - 24" DIAMETER



PART #	PIPE SIZE	CHAMBER SIZE	A	B	C
1298AN4512	12 in (300 mm)	4500	54.6 in (1387 mm)	92.6 in (2352 mm)	61.4 in (1560 mm)
1598AN4515	15 in (375 mm)	4500	54.6 in (1387 mm)	99.3 in (2522 mm)	63.3 in (1608 mm)
1898AN4518	18 in (450 mm)	4500	54.6 in (1387 mm)	96.7 in (2456 mm)	64.5 in (1638 mm)
2498AN4524	24 in (600 mm)	4500	55.3 in (1405 mm)	101.4 in (2576 mm)	56.0 in (69 mm)

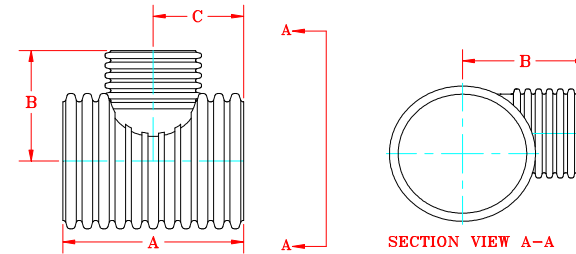
NOTE: ALL FITTINGS DIMENSIONS ARE FOR REFERENCE ONLY



DRAWING #:	5195	DATE
DRAWN BY:	KAM	2/28/2013
APPROVED BY:		
REVISIONS:	WLG	3/19/2013

STORMTECH DUAL WALL FABRICATED "SOIL TIGHT" "PLAIN END" REDUCING SINGLE MANIFOLD
8" - 24" DIAMETER

PART #	PIPE SIZE	CHAMBER SIZE	A	B	C
0851AN3106	8" x 6" in (200 x 150 mm)	SC-310	39.4 in (1000 mm)	11.4 in (289 mm)	19.7 in (500 mm)
1051AN3106	10" x 6" in (250 x 150 mm)	SC-310	39.1 in (992 mm)	12.4 in (315 mm)	19.5 in (496 mm)
1051AN3108	10" X 8" in (250 x 200 mm)	SC-310	39.1 in (992 mm)	13.7 in (348 mm)	19.5 in (496 mm)
1251AN3106	12" x 6" in (300 x 150 mm)	SC-310	40.3 in (1024 mm)	14.4 in (366 mm)	20.2 in (512 mm)
1251AN3108	12" x 8" in (300 x 200 mm)	SC-310	40.3 in (1024 mm)	15.7 in (399 mm)	20.2 in (512 mm)
1251AN3110	12" x 10" in (300 x 250 mm)	SC-310	40.3 in (1024 mm)	16.6 in (421 mm)	20.2 in (512 mm)
1551AN3106	15" x 6" in (375 x 150 mm)	SC-310	38.9 in (988 mm)	13.4 in (341 mm)	19.9 in (504 mm)
1551AN3108	15" x 8" in (375 x 200 mm)	SC-310	38.9 in (988 mm)	15.5 in (394 mm)	19.9 in (504 mm)
1551AN3110	15" x 10" in (375 x 250 mm)	SC-310	38.9 in (988 mm)	16.4 in (415 mm)	19.9 in (504 mm)
1551AN3112	15" x 12" in (375 x 300 mm)	SC-310	38.9 in (988 mm)	18.4 in (467 mm)	19.9 in (504 mm)
1851AN3106	18" x 6" in (450 x 150 mm)	SC-310	40.2 in (1021 mm)	17.4 in (442 mm)	20.1 in (511 mm)
1851AN3108	18" x 8" in (450 x 200 mm)	SC-310	40.2 in (1021 mm)	18.7 in (475 mm)	20.1 in (511 mm)
1851AN3110	18" x 10" in (450 x 250 mm)	SC-310	40.2 in (1021 mm)	19.6 in (497 mm)	20.1 in (511 mm)
1851AN3112	18" x 12" in (450 x 300 mm)	SC-310	40.2 in (1021 mm)	21.6 in (549 mm)	20.1 in (511 mm)
2451AN3106	24" x 6" in (600 x 150 mm)	SC-310	41.0 in (1040 mm)	19.7 in (501 mm)	20.5 in (520 mm)
2451AN3108	24" x 8" in (600 x 200 mm)	SC-310	41.0 in (1040 mm)	22.2 in (563 mm)	20.5 in (520 mm)
2451AN3110	24" x 10" in (600 x 250 mm)	SC-310	41.0 in (1040 mm)	22.6 in (575 mm)	20.5 in (520 mm)
2451AN3112	24" X 12" in (600 x 300 mm)	SC-310	41.0 in (1040 mm)	24.6 in (625 mm)	20.5 in (520 mm)

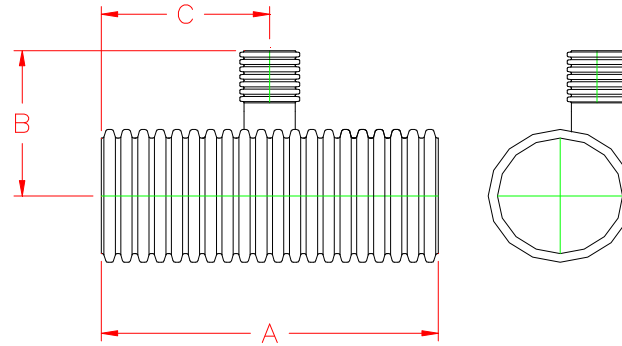


NOTE: ALL FITTINGS DIMENSIONS ARE FOR REFERENCE ONLY



DRAWING #:	5200
DRAWN BY:	TJR 11.15.07
APPROVED BY:	TJR 11.15.07
REVISIONS:	

STORMTECH DUAL WALL FABRICATED "SOIL TIGHT" SINGLE REDUCING MANIFOLD
15"-24" DIAMETER (ECC)



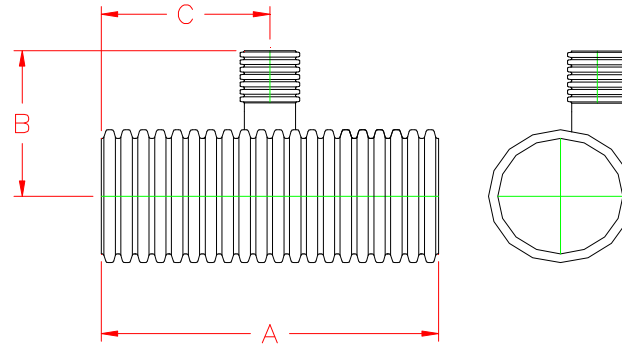
PART #	PIPE SIZE	CHAMBER SIZE	A	B	C
2451AN3512	24" X 12" in (600 x 300 mm)	3500	84.5 in (2147 mm)	46.6 in (1183 mm)	42.3 in (1083 mm)
2451AN3515	24" x 15" in (600 x 375 mm)	3500	84.5 in (2147 mm)	46.6 in (1184 mm)	42.25 (1084 mm)
2451AN3518	24" X 18" in (250 x 450 mm)	3500	84.5 in (2147 mm)	46.6 in (1184 mm)	42.25 (1084 mm)
1851AN3515	18" x 15" in (450 x 375 mm)	3500	82.3 in (2091 mm)	43.3 in (1099 mm)	41.16 (1045 mm)
1851AN3512	18" x 12" in (450 x 300 mm)	3500	82.3 in (2091 mm)	43.3 in (1099 mm)	41.16 (1099 mm)
1551AN3512	15" x 12" in (375 x 300 mm)	3500	84.1 in (2135 mm)	42.1 in (1069 mm)	42.05 (1069 mm)

NOTE: ALL FITTINGS DIMENSIONS ARE FOR REFERENCE ONLY



DRAWING #:	5205	DATE
DRAWN BY:	CAS	01.06.2010
APPROVED BY:		
REVISIONS:	CAS	01.22.2010

STORMTECH DUAL WALL FABRICATED "SOIL TIGHT" SINGLE REDUCING MANIFOLD
15"-24" DIAMETER (ECC)



PART #	PIPE SIZE	CHAMBER SIZE	A	B	C
2451AN4512	24" X 12" in (600 x 300 mm)	4500	110.6 in (2809 mm)	84.6 in (2149 mm)	55.1 in (1183 mm)
2451AN4515	24" x 15" in (600 x 375 mm)	4500	110.6 in (2809 mm)	86.3 in (2192 mm)	55.1 in (1184 mm)
2451AN4518	24" X 18" in (250 x 450 mm)	4500	110.6 in (2809 mm)	84.8 in (2154 mm)	55.1 in (1184 mm)
1851AN4515	18" x 15" in (450 x 375 mm)	4500	109.3 in (2776 mm)	86.4 in (2195 mm)	54.9 in (1394 mm)
1851AN4512	18" x 12" in (450 x 300 mm)	4500	109.3 in (2776 mm)	85.9 in (2182 mm)	54.9 in (1099 mm)
1551AN4512	15" x 12" in (375 x 300 mm)	4500	109.3 in (2776 mm)	90.1 in (2289 mm)	54.4 in (1069 mm)

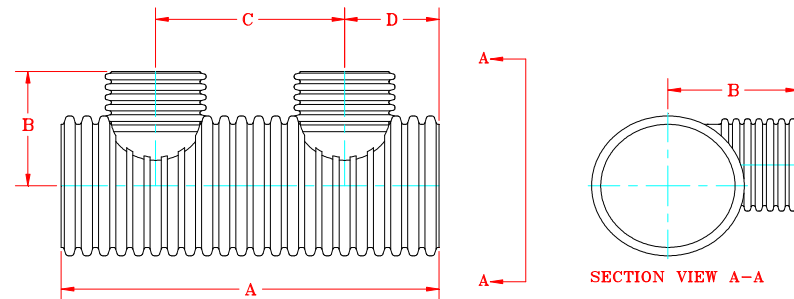
NOTE: ALL FITTINGS DIMENSIONS ARE FOR REFERENCE ONLY



DRAWING #:	5210	DATE
DRAWN BY:	KAM	2/28/2013
APPROVED BY:		
REVISIONS:		

**STORMTECH DUAL WALL FABRICATED "SOIL TIGHT" "PLAIN END" REDUCING DOUBLE MANIFOLD
8" - 24" DIAMETER**

PART #	PIPE SIZE	CHAMBER SIZE	A	B	C	D
0852AN3106	8" x 6" in (200 x 150 mm)	SC-310	78.7 in (1999 mm)	11.4 in (289 mm)	39.4 in (1000 mm)	19.7 in (500 mm)
1052AN3106	10" x 6" in (250 x 150 mm)	SC-310	78.1 in (1984 mm)	12.4 in (315 mm)	39.1 in (992 mm)	19.5 in (496 mm)
1052AN3108	10" X 8" in (250 x 200 mm)	SC-310	78.1 in (1984 mm)	13.7 in (348 mm)	39.1 in (992 mm)	19.5 in (496 mm)
1252AN3106	12" x 6" in (300 x 150 mm)	SC-310	80.6 in (2048 mm)	14.4 in (366 mm)	40.3 in (1024 mm)	20.2 in (512 mm)
1252AN3108	12" x 8" in (300 x 200 mm)	SC-310	80.6 in (2048 mm)	15.7 in (399 mm)	40.3 in (1024 mm)	20.2 in (512 mm)
1252AN3110	12" x 10" in (300 x 250 mm)	SC-310	80.6 in (2048 mm)	16.6 in (421 mm)	40.3 in (1024 mm)	20.2 in (512 mm)
1552AN3106	15" x 6" in (375 x 150 mm)	SC-310	77.7 in (1974 mm)	13.4 in (341 mm)	38.9 in (987 mm)	19.9 in (504 mm)
1552AN3108	15" x 8" in (375 x 200 mm)	SC-310	77.7 in (1974 mm)	15.5 in (394 mm)	38.9 in (987 mm)	19.9 in (504 mm)
1552AN3110	15" x 10" in (375 x 250 mm)	SC-310	77.7 in (1974 mm)	16.4 in (415 mm)	38.9 in (987 mm)	19.9 in (504 mm)
1552AN3112	15" x 12" in (375 x 300 mm)	SC-310	77.7 in (1974 mm)	18.4 in (467 mm)	38.9 in (987 mm)	19.9 in (504 mm)
1852AN3106	18" x 6" in (450 x 150 mm)	SC-310	80.4 in (2042 mm)	17.4 in (442 mm)	40.2 in (1021 mm)	20.1 in (511 mm)
1852AN3108	18" x 8" in (450 x 200 mm)	SC-310	80.4 in (2042 mm)	18.7 in (475 mm)	40.2 in (1021 mm)	20.1 in (511 mm)
1852AN3110	18" x 10" in (450 x 250 mm)	SC-310	80.4 in (2042 mm)	19.6 in (497 mm)	40.2 in (1021 mm)	20.1 in (511 mm)
1852AN3112	18" x 12" in (450 x 300 mm)	SC-310	80.4 in (2042 mm)	21.6 in (549 mm)	40.2 in (1021 mm)	20.1 in (511 mm)
2452AN3106	24" x 6" in (600 x 150 mm)	SC-310	81.9 in (2080 mm)	19.7 in (501 mm)	41.0 in (1040 mm)	20.5 in (520 mm)
2452AN3108	24" x 8" in (600 x 200 mm)	SC-310	80.9 in (2055 mm)	22.2 in (563 mm)	41.0 in (1040 mm)	20.5 in (520 mm)
2452AN3110	24" x 10" in (600 x 250 mm)	SC-310	81.9 in (2080 mm)	22.6 in (575 mm)	41.0 in (1040 mm)	20.5 in (520 mm)
2452AN3112	24" X 12" in (600 x 300 mm)	SC-310	81.9 in (2080 mm)	24.6 in (625 mm)	41.0 in (1040 mm)	20.5 in (520 mm)

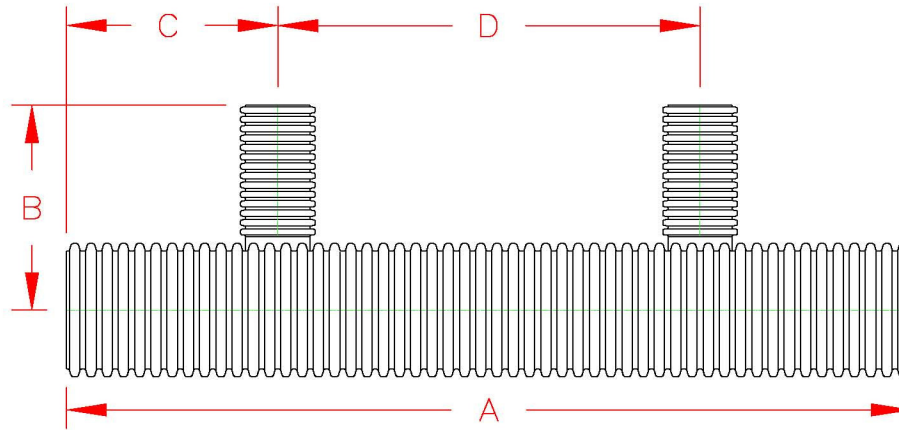


NOTE: ALL FITTINGS DIMENSIONS ARE FOR REFERENCE ONLY



DRAWING #:	5250	
DRAWN BY:	TJR	11.15.07
APPROVED BY:	TJR	11.15.07
REVISIONS:		

**STORMTECH DUAL WALL FABRICATED "SOIL TIGHT" DOUBLE REDUCING MANIFOLD
15"-24" DIAMETER (ECC)**



PART #	PIPE SIZE	CHAMBER SIZE	A	B	C	D
1552AN3512	15" x 12" in (375 x 300 mm)	3500	168.2 in (4272 mm)	42.1 in (1069 mm)	42.1 in (1068 mm)	84.1 in (2136 mm)
1852AN3512	18" x 12" in (450 x 300 mm)	3500	170.6 in (4333 mm)	43.3 in (1099 mm)	43.3 in (1100 mm)	85.3 in (2167 mm)
1852AN3515	18" x 15" in (450 x 375 mm)	3500	170.6 in (4333 mm)	43.3 in (1099 mm)	43.3 in (1099 mm)	85.3 in (2167 mm)
2452AN3512	24" X 12" in (600 x 300 mm)	3500	169.0 in (4293 mm)	46.6 in (1183 mm)	42.3 in (1073 mm)	84.5 in (2146 mm)
2452AN3515	24" x 15" in (600 x 375 mm)	3500	169.0 in (4293 mm)	46.6 in (1183 mm)	42.3 in (1074 mm)	84.5 in (2146 mm)
2452AN3518	24" X 18" in (250 x 450 mm)	3500	169.0 in (4293 mm)	46.6 in (1184 mm)	42.7 in (1085 mm)	84.5 in (2146 mm)

NOTE: ALL FITTINGS DIMENSIONS ARE FOR REFERENCE ONLY

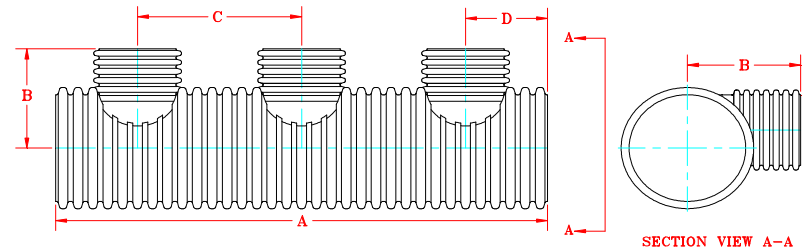


ADVANCED DRAINAGE SYSTEMS, INC.

DRAWING #:	5255	DATE
DRAWN BY:	CAS	01.06.2010
APPROVED BY:		
REVISIONS:	CAS	01.22.2010

STORMTECH DUAL WALL FABRICATED "SOIL TIGHT" "PLAIN END" REDUCING TRIPLE MANIFOLD
8" - 24" DIAMETER

PART #	PIPE SIZE	CHAMBER SIZE	A	B	C	D
0853AN3106	8" x 6" in (200 x 150 mm)	SC-310	118.1 in (2999 mm)	11.4 in (289 mm)	39.4 in (1000 mm)	19.7 in (500 mm)
1053AN3106	10" x 6" in (250 x 150 mm)	SC-310	117.2 in (2976 mm)	12.4 in (315 mm)	39.1 in (992 mm)	19.5 in (496 mm)
1053AN3108	10" X 8" in (250 x 200 mm)	SC-310	117.2 in (2976 mm)	12.4 in (315 mm)	39.1 in (992 mm)	19.5 in (496 mm)
1253AN3106	12" x 6" in (300 x 150 mm)	SC-310	121.0 in (3072 mm)	14.4 in (366 mm)	40.3 in (1024 mm)	20.2 in (512 mm)
1253AN3108	12" x 8" in (300 x 200 mm)	SC-310	121.0 in (3072 mm)	15.7 in (399 mm)	40.3 in (1024 mm)	20.2 in (512 mm)
1253AN3110	12" x 10" in (300 x 250 mm)	SC-310	121.0 in (3072 mm)	16.6 in (421 mm)	40.3 in (1024 mm)	20.2 in (512 mm)
1553AN3106	15" x 6" in (375 x 150 mm)	SC-310	116.6 in (2962 mm)	13.4 in (341 mm)	38.9 in (987 mm)	19.9 in (504 mm)
1553AN3108	15" x 8" in (375 x 200 mm)	SC-310	116.6 in (2962 mm)	15.5 in (394 mm)	38.9 in (987 mm)	19.9 in (504 mm)
1553AN3110	15" x 10" in (375 x 250 mm)	SC-310	116.6 in (2962 mm)	16.4 in (415 mm)	38.9 in (987 mm)	19.9 in (504 mm)
1553AN3112	15" x 12" in (375 x 300 mm)	SC-310	116.6 in (2962 mm)	18.4 in (467 mm)	38.9 in (987 mm)	19.9 in (504 mm)
1853AN3106	18" x 6" in (450 x 150 mm)	SC-310	120.6 in (3063 mm)	17.4 in (442 mm)	40.2 in (1021 mm)	20.1 in (511 mm)
1853AN3108	18" x 8" in (450 x 200 mm)	SC-310	120.6 in (3063 mm)	18.7 in (475 mm)	40.2 in (1021 mm)	20.1 in (511 mm)
1853AN3110	18" x 10" in (450 x 250 mm)	SC-310	120.6 in (3063 mm)	19.6 in (497 mm)	40.2 in (1021 mm)	20.1 in (511 mm)
1853AN3112	18" x 12" in (450 x 300 mm)	SC-310	120.6 in (3063 mm)	21.6 in (549 mm)	40.2 in (1021 mm)	20.1 in (511 mm)
2453AN3106	24" x 6" in (600 x 150 mm)	SC-310	122.9 in (3120 mm)	19.7 in (501 mm)	41.0 in (1040 mm)	20.5 in (520 mm)
2453AN3108	24" x 8" in (600 x 200 mm)	SC-310	122.9 in (3120 mm)	22.2 in (563 mm)	41.0 in (1040 mm)	20.5 in (520 mm)
2453AN3110	24" x 10" in (600 x 250 mm)	SC-310	122.9 in (3120 mm)	22.6 in (575 mm)	41.0 in (1040 mm)	20.5 in (520 mm)
2453AN3112	24" X 12" in (600 x 300 mm)	SC-310	122.9 in (3120 mm)	24.6 in (625 mm)	41.0 in (1040 mm)	20.5 in (520 mm)



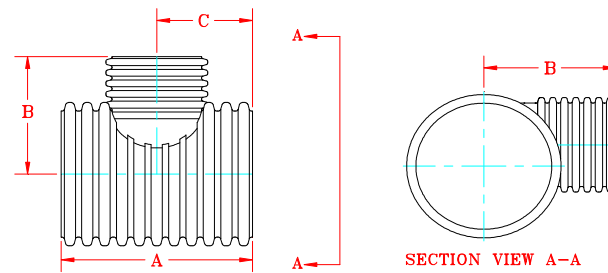
NOTE: ALL FITTINGS DIMENSIONS ARE FOR REFERENCE ONLY



DRAWING #:	5300	
DRAWN BY:	TJR	11.15.07
APPROVED BY:	TJR	11.15.07
REVISIONS:		

**STORMTECH DUAL WALL FABRICATED "SOIL TIGHT" "PLAIN END" REDUCING SINGLE MANIFOLD
8" - 18" DIAMETER**

PART #	PIPE SIZE	CHAMBER SIZE	A	B	C
0851AN7406	8" x 6" in (200 x 150 mm)	SC-740	56.6 in (1439 mm)	10.0 in (253 mm)	28.3 in (719 mm)
1051AN7406	10" x 6" in (250 x 150 mm)	SC-740	56.7 in (1440 mm)	11.1 in (281 mm)	28.4 in (720 mm)
1051AN7406	10" X 8" in (250 x 200 mm)	SC-740	56.7 in (1440 mm)	12.4 in (315 mm)	28.4 in (720 mm)
1251AN7406	12" x 6" in (300 x 150 mm)	SC-740	57.6 in (1463 mm)	12.6 in (321 mm)	28.8 in (732 mm)
1251AN7408	12" x 8" in (300 x 200 mm)	SC-740	57.6 in (1463 mm)	14.0 in (354 mm)	28.8 in (732 mm)
1251AN7410	12" x 10" in (300 x 250 mm)	SC-740	57.6 in (1463 mm)	14.8 in (376 mm)	28.8 in (732 mm)
1551AN7406	15" x 6" in (375 x 150 mm)	SC-740	57.0 in (1447 mm)	15.4 in (391 mm)	28.5 in (724 mm)
1551AN7408	15" x 8" in (375 x 200 mm)	SC-740	57.0 in (1447 mm)	16.7 in (425 mm)	28.5 in (724 mm)
1551AN7410	15" x 10" in (375 x 250 mm)	SC-740	57.0 in (1447 mm)	17.6 in (446 mm)	28.5 in (724 mm)
1551AN7412	15" x 12" in (375 x 300 mm)	SC-740	57.0 in (1447 mm)	19.6 in (498 mm)	28.5 in (724 mm)
1851AN7406	18" x 6" in (450 x 150 mm)	SC-740	56.3 in (1430 mm)	17.4 in (442 mm)	28.1 in (715 mm)
1851AN7408	18" x 8" in (450 x 200 mm)	SC-740	56.3 in (1430 mm)	18.7 in (475 mm)	28.1 in (715 mm)
1851AN7410	18" x 10" in (450 x 250 mm)	SC-740	56.3 in (1430 mm)	17.0 in (431 mm)	28.1 in (715 mm)
1851AN7412	18" x 12" in (450 x 300 mm)	SC-740	56.3 in (1430 mm)	21.6 in (549 mm)	28.1 in (715 mm)
1851AN7415	18" x 15" in (450 x 375 mm)	SC-740	56.3 in (1430 mm)	22.4 in (568 mm)	28.1 in (715 mm)



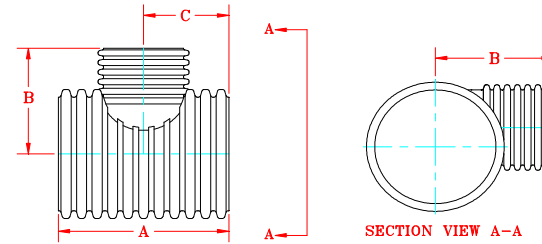
NOTE: ALL FITTINGS DIMENSIONS ARE FOR REFERENCE ONLY



DRAWING #:	5350	
DRAWN BY:	TJR	11.15.07
APPROVED BY:	TJR	11.15.07
REVISIONS:		

**STORMTECH DUAL WALL FABRICATED "SOIL TIGHT" "PLAIN END" REDUCING SINGLE MANIFOLD
24" - 48" DIAMETER**

PART #	PIPE SIZE	CHAMBER SIZE	A	B	C
2451AN7406	24" x 6" in (600 x 150 mm)	SC-740	56.7 in (1440 mm)	20.4 in (518 mm)	28.9 in (734 mm)
2451AN7408	24" x 8" in (600 x 200 mm)	SC-740	56.7 in (1440 mm)	21.7 in (552 mm)	28.4 in (720 mm)
2451AN7410	24" X 10" in (600 x 250 mm)	SC-740	56.7 in (1440 mm)	22.6 in (573 mm)	28.4 in (720 mm)
2451AN7412	24" x 12" in (600 x 300 mm)	SC-740	56.7 in (1440 mm)	24.6 in (625 mm)	28.4 in (720 mm)
2451AN7415	24" x 15" in (600 x 375 mm)	SC-740	56.7 in (1440 mm)	25.4 in (644 mm)	28.4 in (720 mm)
2451AN7418	24" x 18" in (600 x 450 mm)	SC-740	56.7 in (1440 mm)	25.7 in (653 mm)	28.4 in (720 mm)
3051AN7406	30" x 6" in (750 x 150 mm)	SC-740	57.7 in (1465 mm)	25.4 in (645 mm)	28.8 in (733 mm)
3051AN7412	30" x 12" in (750 x 300 mm)	SC-740	57.7 in (1465 mm)	29.6 in (752 mm)	28.8 in (733 mm)
3051AN7415	30" x 15" in (750 x 375 mm)	SC-740	57.7 in (1465 mm)	30.4 in (772 mm)	28.8 in (733 mm)
3051AN7418	30" x 18" in (750 x 450 mm)	SC-740	57.7 in (1465 mm)	30.7 in (780 mm)	28.8 in (733 mm)
3051AN7424	30" x 24" in (750 x 600 mm)	SC-740	57.7 in (1465 mm)	27.0 in (686 mm)	28.8 in (733 mm)
3651AN7412	36" x 12" in (900 x 300 mm)	SC-740	57.8 in (1467 mm)	31.6 in (803 mm)	28.9 in (729 mm)
3651AN7415	36" x 15" in (900 x 375 mm)	SC-740	57.8 in (1467 mm)	32.4 in (823 mm)	19.5 in (495 mm)
3651AN7418	36" x 18" in (900 x 450 mm)	SC-740	57.8 in (1467 mm)	32.7 in (831 mm)	28.9 in (734 mm)
3651AN7424	36" x 24" in (900 x 600 mm)	SC-740	57.8 in (1467 mm)	31.3 in (795 mm)	28.9 in (734 mm)



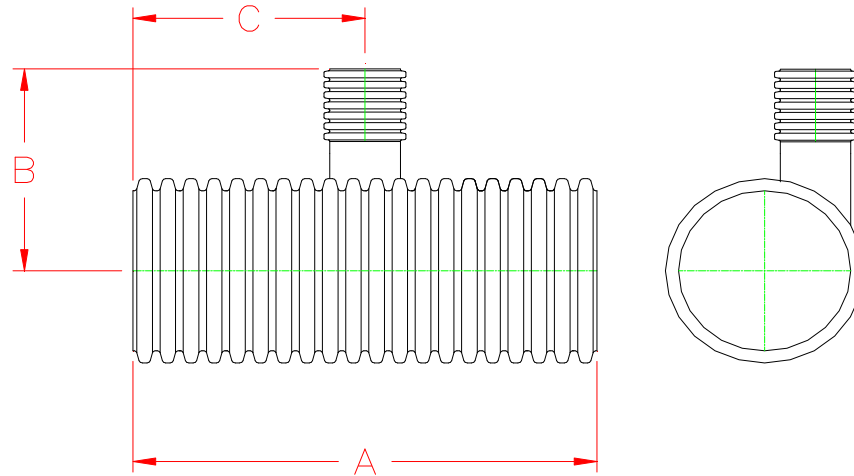
PART #	PIPE SIZE	CHAMBER	A	B	C
4251AN7412	42" x 12" in (1050 x 300 mm)	SC-740	57.1 in (1450 mm)	34.6 in (879 mm)	28.6 in (725 mm)
4251AN7415	42" x 15" in (1050 x 375 mm)	SC-740	57.1 in (1450 mm)	35.4 in (899 mm)	28.6 in (725 mm)
4251AN7418	42" x 18" in (1050 x 450 mm)	SC-740	57.1 in (1450 mm)	35.7 in (907 mm)	28.6 in (725 mm)
4251AN7424	42" x 24" in (1050 x 600 mm)	SC-740	57.1 in (1450 mm)	34.3 in (871 mm)	28.6 in (725 mm)
4851AN7412	48" x 12" in (1200 x 300 mm)	SC-740	57.8 in (1467 mm)	37.6 in (955 mm)	28.9 in (734 mm)
4851AN7415	48" x 15" in (1200 x 375 mm)	SC-740	57.8 in (1467 mm)	38.4 in (975 mm)	28.9 in (734 mm)
4851AN7418	48" x 18" in (1200 x 450 mm)	SC-740	57.8 in (1467 mm)	38.7 in (983 mm)	28.9 in (734 mm)
4851AN7424	48" x 24" in (1200 x 600 mm)	SC-740	57.8 in (1467 mm)	37.3 in (947 mm)	28.9 in (734 mm)

NOTE: ALL FITTINGS DIMENSIONS ARE FOR REFERENCE ONLY



DRAWING #:	5400	
DRAWN BY:	TJR	11.15.07
APPROVED BY:	TJR	11.15.07
REVISIONS:		

STORMTECH DUAL WALL FABRICATED "SOIL TIGHT" SINGLE REDUCING MANIFOLD
30" & 36" DIAMETER (ECC)



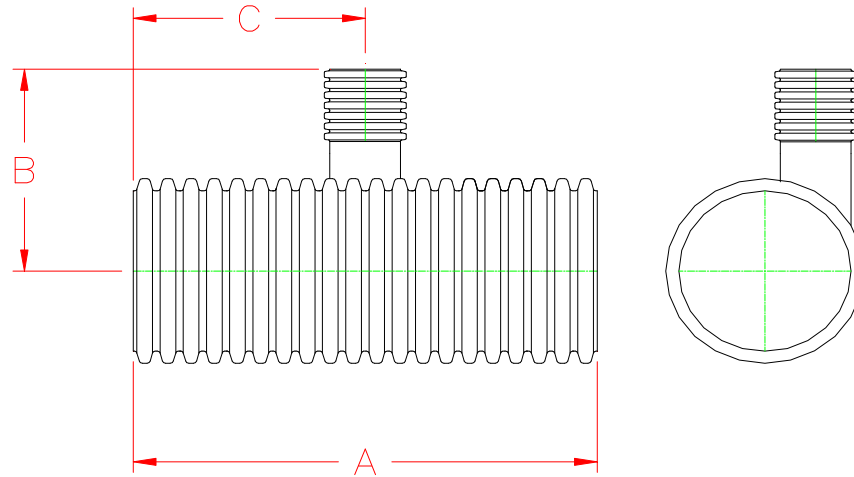
PART #	PIPE SIZE	CHAMBER SIZE	A	B	C
3051AN3512	30" X 12" in (750 x 300 mm)	3500	85.7 in (2177 mm)	51.3 in (1303 mm)	42.8 in (1088 mm)
3051AN3515	30" X 15" in (750 x 375 mm)	3500	85.7 in (2177 mm)	50.2 in (1276 mm)	42.9 in (1088 mm)
3051AN3518	30" X 18" in (750 x 450 mm)	3500	85.7 in (2177 mm)	50.2 in (1276 mm)	42.9 in (1088 mm)
3051AN3524	30" x 24" in (750 x 600 mm)	3500	85.7 in (2177 mm)	50.8 in (1291 mm)	42.9 in (1088 mm)
3651AN3512	36" x 12" in (900 x 300 mm)	3500	83.7 in (2127 mm)	53.8 in (1367 mm)	41.8 in (1063 mm)
3651AN3515	36" x 15" in (900 x 375 mm)	3500	83.7 in (2127 mm)	53.8 in (1367 mm)	41.9 in (1063 mm)
3651AN3518	36" x 18" in (900 x 450 mm)	3500	83.7 in (2127 mm)	53.8 in (1367 mm)	41.9 in (1063 mm)
3651AN3524	36" x 24" in (900 x 600 mm)	3500	83.7 in (2127 mm)	54.4 in (1383 mm)	41.9 in (1063 mm)

NOTE: ALL FITTINGS DIMENSIONS ARE FOR REFERENCE ONLY



DRAWING #:	5415	DATE
DRAWN BY:	CAS	01.06.2010
APPROVED BY:		
REVISIONS:		

STORMTECH DUAL WALL FABRICATED "SOIL TIGHT" SINGLE REDUCING MANIFOLD
30" & 36" DIAMETER (ECC)



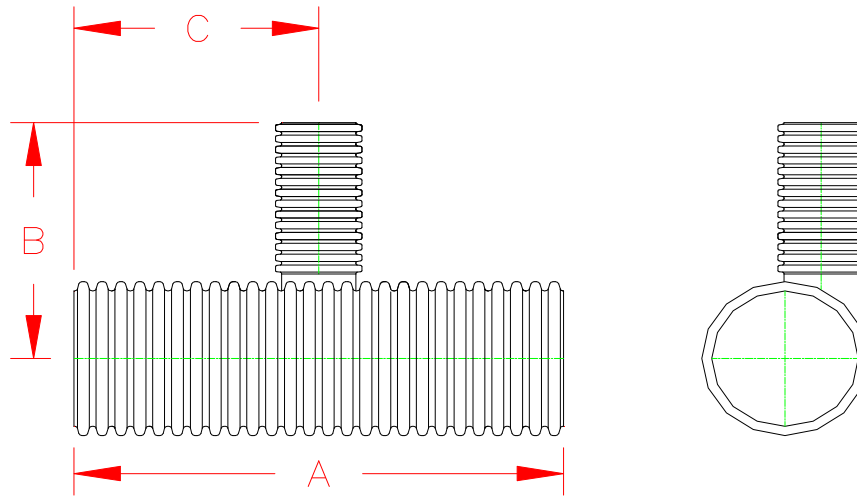
PART #	PIPE SIZE	CHAMBER SIZE	A	B	C
3051AN4512	30" X 12" in (750 x 300 mm)	4500	106.1 in (2695 mm)	84.9 in (2156 mm)	53.5 in (1359 mm)
3051AN4515	30" X 15" in (750 x 375 mm)	4500	106.1 in (2695 mm)	80.5 in (2045 mm)	53.5 in (1359 mm)
3051AN4518	30" X 18" in (750 x 450 mm)	4500	106.1 in (2695 mm)	81.2 in (2062 mm)	53.5 in (1359 mm)
3051AN4524	30" X 24" in (750 x 600 mm)	4500	106.1 in (2695 mm)	80.7 in (2050 mm)	53.5 in (1359 mm)
3651AN4512	36" x 12" in (900 x 300 mm)	4500	110.2 in (2799 mm)	78.3 in (1989 mm)	55.1 in (1400 mm)
3651AN4515	36" x 15" in (900 x 375 mm)	4500	110.2 in (2799 mm)	79.3 in (2014 mm)	55.1 in (1400 mm)
3651AN4518	36" x 18" in (900 x 450 mm)	4500	110.2 in (2799 mm)	77.7 in (1974 mm)	55.1 in (1400 mm)
3651AN4524	36" x 24" in (900 x 600 mm)	4500	110.2 in (2799 mm)	78.1 in (1984 mm)	55.1 in (1400 mm)

NOTE: ALL FITTINGS DIMENSIONS ARE FOR REFERENCE ONLY



DRAWING #:	5420	DATE
DRAWN BY:	KAM	2/28/2013
APPROVED BY:		
REVISIONS:		

STORMTECH DUAL WALL FABRICATED "SOIL TIGHT" SINGLE REDUCING MANIFOLD
42" & 48" DIAMETER (ECC)



PART #	PIPE SIZE	CHAMBER SIZE	A	B	C
4251AN3512	42" X 12" in (1050 x 300 mm)	3500	82.2 in (2088 mm)	56.5 in (1436 mm)	41.1 in (1044 mm)
4251AN3515	42" x 15" in (1050 x 375 mm)	3500	82.2 in (2088 mm)	56.6 in (1436 mm)	41.1 in (1044 mm)
4251AN3518	42" X 18" in (1050 x 450 mm)	3500	82.2 in (2088 mm)	56.5 in (1436 mm)	41.1 in (1044 mm)
4251AN3524	42" x 24" in (1050 x 600 mm)	3500	82.2 in (2088 mm)	57.1 in (1451 mm)	41.1 in (1044 mm)
4851AN3512	48" X 12" in (1200 x 300 mm)	3500	83.7 in (2127 mm)	59.5 in (1511 mm)	41.9 in (1063 mm)
4851AN3515	48" x 15" in (1200 x 375 mm)	3500	83.7 in (2127 mm)	59.5 in (1510 mm)	41.9 in (1063 mm)
4851AN3518	48" X 18" in (1200 x 450 mm)	3500	83.7 in (2127 mm)	59.5 in (1511 mm)	41.9 in (1063 mm)
4851AN3524	48" x 24" in (1200 x 600 mm)	3500	83.7 in (2127 mm)	60.1 in (1526 mm)	41.9 in (1063 mm)

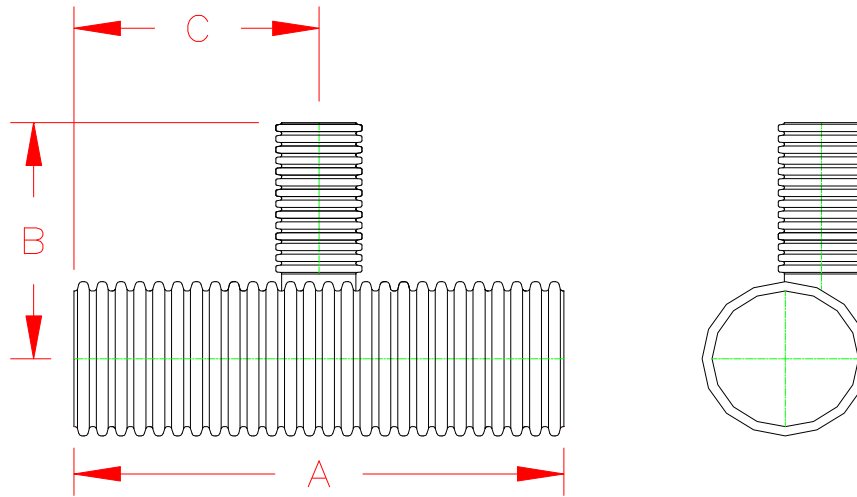
NOTE: ALL FITTINGS DIMENSIONS ARE FOR REFERENCE ONLY



ADVANCED DRAINAGE SYSTEMS, INC.

DRAWING #:	5430	DATE
DRAWN BY:	CAS	01.06.2010
APPROVED BY:		
REVISIONS:		

STORMTECH DUAL WALL FABRICATED "SOIL TIGHT" SINGLE REDUCING MANIFOLD
42" & 48" DIAMETER (ECC)



PART #	PIPE SIZE	CHAMBER SIZE	A	B	C
4251AN4512	42" X 12" in (1050 x 300 mm)	4500	109.0 in (2769 mm)	74.5 in (1892 mm)	54.5 in (1384 mm)
4251AN4515	42" x 15" in (1050 x 375 mm)	4500	109.0 in (2769 mm)	74.4 in (1890 mm)	54.5 in (1384 mm)
4251AN4518	42" X 18" in (1050 x 450 mm)	4500	109.0 in (2769 mm)	74.8 in (1900 mm)	54.5 in (1384 mm)
4251AN4524	42" x 24" in (1050 x 600 mm)	4500	109.0 in (2769 mm)	74.3 in (1887 mm)	54.5 in (1384 mm)
4851AN4512	48" X 12" in (1200 x 300 mm)	4500	110.2 in (2799 mm)	72.3 in (1836 mm)	55.1 in (1400 mm)
4851AN4515	48" x 15" in (1200 x 375 mm)	4500	110.2 in (2799 mm)	71.3 in (1811 mm)	55.1 in (1400 mm)
4851AN4518	48" X 18" in (1200 x 450 mm)	4500	110.2 in (2799 mm)	73.1 in (1857 mm)	55.1 in (1400 mm)
4851AN4524	48" x 24" in (1200 x 600 mm)	4500	110.2 in (2799 mm)	72.2 in (1834 mm)	55.1 in (1400 mm)

NOTE: ALL FITTINGS DIMENSIONS ARE FOR REFERENCE ONLY

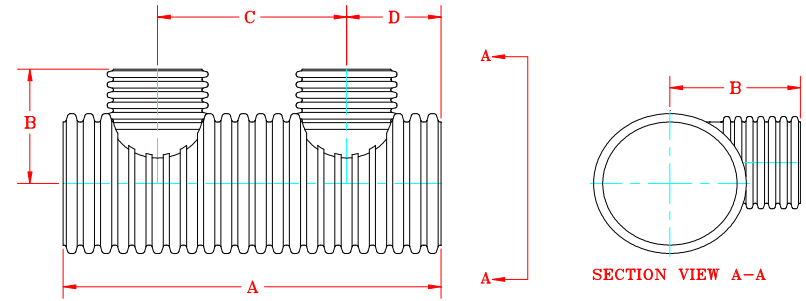


ADVANCED DRAINAGE SYSTEMS, INC.

DRAWING #:	5440	DATE
DRAWN BY:	KAM	2/28/2013
APPROVED BY:		
REVISIONS:		

**STORMTECH DUAL WALL FABRICATED "SOIL TIGHT" "PLAIN END" REDUCING DOUBLE MANIFOLD
8" - 18" DIAMETER**

PART #	PIPE SIZE	CHAMBER SIZE	A	B	C	D
0852AN7406	8" x 6" in (200 x 150 mm)	SC-740	113.3 in (2877 mm)	10.0 in (253 mm)	56.6 in (1439 mm)	28.3 in (719 mm)
1052AN7406	10" x 6" in (250 x 150 mm)	SC-740	113.4 in (2880 mm)	11.1 in (281 mm)	56.7 in (1440 mm)	28.4 in (720 mm)
1052AN7408	10" X 8" in (250 x 200 mm)	SC-740	113.4 in (2880 mm)	12.4 in (315 mm)	56.7 in (1440 mm)	28.4 in (720 mm)
1252AN7406	12" x 6" in (300 x 150 mm)	SC-740	115.2 in (2926 mm)	12.6 in (321 mm)	57.6 in (1463 mm)	28.8 in (732 mm)
1252AN7408	12" x 8" in (300 x 200 mm)	SC-740	115.2 in (2926 mm)	14.0 in (354 mm)	57.6 in (1463 mm)	28.8 in (732 mm)
1252AN7410	12" x 10" in (300 x 250 mm)	SC-740	115.2 in (2926 mm)	14.8 in (376 mm)	57.6 in (1463 mm)	28.8 in (732 mm)
1552AN7406	15" x 6" in (375 x 150 mm)	SC-740	114.0 in (2895 mm)	15.4 in (391 mm)	57.0 in (1447 mm)	28.5 in (724 mm)
1552AN7408	15" x 8" in (375 x 200 mm)	SC-740	114.0 in (2895 mm)	16.7 in (425 mm)	57.0 in (1447 mm)	28.5 in (724 mm)
1552AN7410	15" x 10" in (375 x 250 mm)	SC-740	114.0 in (2895 mm)	17.6 in (446 mm)	57.0 in (1447 mm)	28.5 in (724 mm)
1552AN7412	15" x 12" in (375 x 300 mm)	SC-740	114.0 in (2895 mm)	19.6 in (498 mm)	57.0 in (1447 mm)	28.5 in (724 mm)
1852AN7406	18" x 6" in (450 x 150 mm)	SC-740	112.6 in (2859 mm)	17.4 in (442 mm)	56.3 in (1430 mm)	28.1 in (715 mm)
1852AN7408	18" x 8" in (450 x 200 mm)	SC-740	112.6 in (2859 mm)	18.7 in (475 mm)	56.3 in (1430 mm)	28.1 in (715 mm)
1852AN7410	18" x 10" in (450 x 250 mm)	SC-740	112.6 in (2859 mm)	19.6 in (497 mm)	56.3 in (1430 mm)	28.1 in (715 mm)
1852AN7412	18" x 12" in (450 x 300 mm)	SC-740	112.6 in (2859 mm)	21.6 in (549 mm)	56.3 in (1430 mm)	28.1 in (715 mm)
1852AN7415	18" x 15" in (450 x 375 mm)	SC-740	112.6 in (2859 mm)	22.4 in (568 mm)	56.3 in (1430 mm)	28.1 in (715 mm)



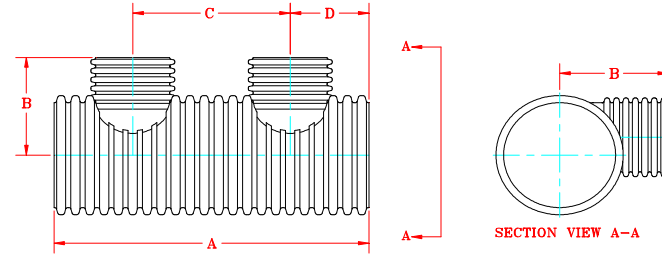
NOTE: ALL FITTINGS DIMENSIONS ARE FOR REFERENCE ONLY



DRAWING #:	5450	
DRAWN BY:	TJR	11.15.07
APPROVED BY:	TJR	11.15.07
REVISIONS:		

**STORMTECH DUAL WALL FABRICATED "SOIL TIGHT" "PLAIN END" REDUCING DOUBLE MANIFOLD
24" - 48" DIAMETER**

PART #	PIPE SIZE	CHAMBER SIZE	A	B	C	D
2452AN7406	24" x 6" in (600 x 150 mm)	SC-740	113.4 in (2880 mm)	20.4 in (518 mm)	56.7 in (1440 mm)	28.4 in (720 mm)
2452AN7408	24" x 8" in (600 x 200 mm)	SC-740	113.4 in (2880 mm)	22.2 in (563 mm)	56.7 in (1440 mm)	28.4 in (720 mm)
2452AN7410	24" X 10" in (600 x 250 mm)	SC-740	113.4 in (2880 mm)	22.6 in (575 mm)	56.7 in (1440 mm)	28.4 in (720 mm)
2452AN7412	24" x 12" in (600 x 300 mm)	SC-740	113.4 in (2880 mm)	24.6 in (625 mm)	56.7 in (1440 mm)	28.4 in (720 mm)
2452AN7415	24" x 15" in (600 x 375 mm)	SC-740	113.4 in (2880 mm)	25.4 in (644 mm)	56.7 in (1440 mm)	28.4 in (720 mm)
2452AN7418	24" x 18" in (600 x 450 mm)	SC-740	113.4 in (2880 mm)	24.6 in (625 mm)	56.7 in (1440 mm)	28.4 in (720 mm)
3052AN7406	30" x 6" in (750 x 150 mm)	SC-740	115.4 in (2930 mm)	25.4 in (645 mm)	57.7 in (1465 mm)	28.8 in (733 mm)
3052AN7412	30" x 12" in (750 x 300 mm)	SC-740	115.4 in (2930 mm)	29.6 in (752 mm)	57.7 in (1465 mm)	28.8 in (733 mm)
3052AN7415	30" x 15" in (750 x 375 mm)	SC-740	115.4 in (2930 mm)	30.4 in (772 mm)	57.7 in (1465 mm)	28.8 in (733 mm)
3052AN7418	30" x 18" in (750 x 450 mm)	SC-740	115.4 in (2930 mm)	30.7 in (780 mm)	57.7 in (1465 mm)	28.8 in (733 mm)
3052AN7424	30" x 24" in (750 x 600 mm)	SC-740	115.4 in (2930 mm)	27.0 in (686 mm)	57.7 in (1465 mm)	28.8 in (733 mm)
3652AN7412	36" x 12" in (900 x 300 mm)	SC-740	115.5 in (2934 mm)	31.6 in (803 mm)	57.8 in (1467 mm)	28.9 in (734 mm)
3652AN7415	36" x 15" in (900 x 375 mm)	SC-740	115.5 in (2934 mm)	32.4 in (823 mm)	57.8 in (1467 mm)	28.9 in (734 mm)
3652AN7418	36" x 18" in (900 x 450 mm)	SC-740	115.5 in (2934 mm)	32.7 in (831 mm)	57.8 in (1467 mm)	28.9 in (734 mm)
3652AN7424	36" x 24" in (900 x 600 mm)	SC-740	115.5 in (2934 mm)	31.3 in (795 mm)	57.8 in (1467 mm)	28.9 in (734 mm)



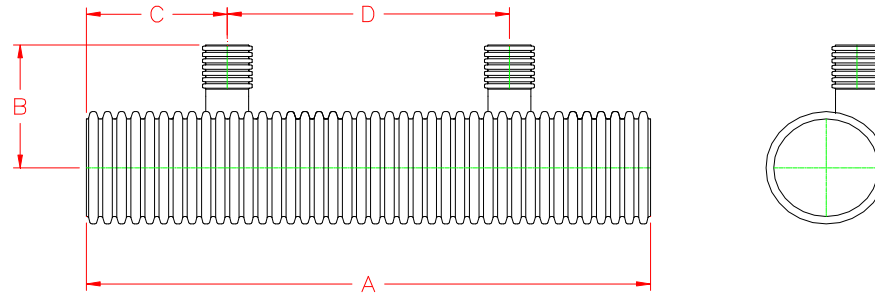
PART #	PIPE SIZE	CHAMBER SIZE	A	B	C	D
4252AN7412	42" x 12" in (1050 x 300 mm)	SC-740	114.2 in (2900 mm)	34.6 in (879 mm)	57.1 in (1450 mm)	28.6 in (725 mm)
4252AN7415	42" x 15" in (1050 x 375 mm)	SC-740	114.2 in (2900 mm)	35.4 in (899 mm)	57.1 in (1450 mm)	28.6 in (725 mm)
4252AN7418	42" x 18" in (1050 x 450 mm)	SC-740	114.2 in (2900 mm)	34.6 in (878 mm)	57.1 in (1450 mm)	28.6 in (725 mm)
4252AN7424	42" x 24" in (1050 x 600 mm)	SC-740	114.2 in (2900 mm)	34.3 in (871 mm)	57.1 in (1450 mm)	28.6 in (725 mm)
4852AN7412	48" x 12" in (1200 x 300 mm)	SC-740	115.5 in (2934 mm)	37.6 in (955 mm)	57.8 in (1467 mm)	28.9 in (734 mm)
4852AN7415	48" x 15" in (1200 x 375 mm)	SC-740	115.5 in (2934 mm)	38.4 in (975 mm)	57.8 in (1467 mm)	28.9 in (734 mm)
4852AN7418	48" x 18" in (1200 x 450 mm)	SC-740	115.5 in (2934 mm)	38.7 in (983 mm)	57.8 in (1467 mm)	28.9 in (734 mm)
4852AN7424	48" x 24" in (1200 x 600 mm)	SC-740	115.5 in (2934 mm)	37.3 in (947 mm)	57.8 in (1467 mm)	28.9 in (734 mm)

NOTE: ALL FITTINGS DIMENSIONS ARE FOR REFERENCE ONLY



DRAWING #:	5500	
DRAWN BY:	TJR	11.15.07
APPROVED BY:	TJR	11.15.07
REVISIONS:		

**STORMTECH DUAL WALL FABRICATED "SOIL TIGHT" DOUBLE REDUCING MANIFOLD
30" & 36" DIAMETER (ECC)**



PART #	PIPE SIZE	CHAMBER SIZE	A	B	C	D
3052AN3512	30" X 12" in (750 x 300 mm)	3500	171.4 in (4353 mm)	51.3 in (1303 mm)	42.8 in (1088 mm)	85.7 in (2177 mm)
3052AN3515	30" x 15" in (750 x 375 mm)	3500	171.4 in (4353 mm)	50.2 in (1276 mm)	42.9 in (1088 mm)	85.7 in (2177 mm)
3052AN3518	30" X 18" in (750 x 450 mm)	3500	171.4 in (4353 mm)	50.2 in (1276 mm)	42.9 in (1088 mm)	85.7 in (2177 mm)
3052AN3524	30" x 24" in (750 x 600 mm)	3500	171.4 in (4353 mm)	50.8 in (1291 mm)	42.9 in (1088 mm)	85.7 in (2177 mm)
3652AN3512	36" x 12" in (900 x 300 mm)	3500	167.5 in (4254 mm)	53.8 in (1367 mm)	41.8 in (1063 mm)	83.7 in (2127 mm)
3652AN3515	36" x 15" in (900 x 375 mm)	3500	167.5 in (4254 mm)	53.8 in (1367 mm)	41.9 in (1063 mm)	83.7 in (2127 mm)
3652AN3518	36" x 18" in (900 x 450 mm)	3500	167.5 in (4254 mm)	53.8 in (1367 mm)	41.9 in (1063 mm)	83.7 in (2127 mm)
3652AN3524	36" x 24" in (900 x 600 mm)	3500	167.5 in (4254 mm)	54.4 in (1383 mm)	41.9 in (1063 mm)	83.7 in (2127 mm)

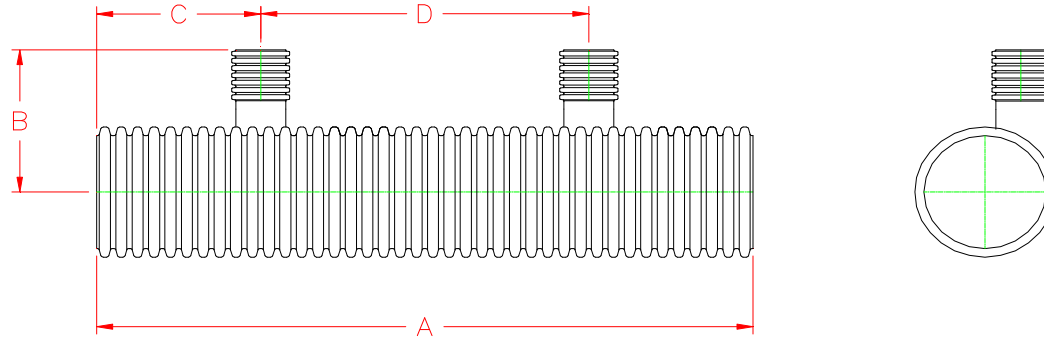
NOTE: ALL FITTINGS DIMENSIONS ARE FOR REFERENCE ONLY



ADVANCED DRAINAGE SYSTEMS, INC.

DRAWING #:	5515	DATE
DRAWN BY:	CAS	01.06.2010
APPROVED BY:		
REVISIONS:		

**STORMTECH DUAL WALL FABRICATED "SOIL TIGHT" DOUBLE REDUCING MANIFOLD
42" & 48" DIAMETER (ECC)**



PART #	PIPE SIZE	CHAMBER SIZE	A	B	C	D
4252AN3512	42" X 12" in (1050 x 300 mm)	3500	164.4 in (4176 mm)	56.5 in (1436 mm)	41.1 in (1044 mm)	82.2 in (2088 mm)
4252AN3515	42" x 15" in (1050 x 375 mm)	3500	164.4 in (4176 mm)	56.6 in (1436 mm)	41.1 in (1044 mm)	82.2 in (2088 mm)
4252AN3518	42" X 18" in (1050 x 450 mm)	3500	164.4 in (4176 mm)	56.5 in (1436 mm)	41.1 in (1044 mm)	82.2 in (2088 mm)
4252AN3524	42" x 24" in (1050 x 600 mm)	3500	164.4 in (4176 mm)	57.1 in (1451 mm)	41.1 in (1044 mm)	82.2 in (2088 mm)
4852AN3512	48" X 12" in (1200 x 300 mm)	3500	167.5 in (4253 mm)	59.5 in (1511 mm)	41.9 in (1063 mm)	83.7 in (2127 mm)
4852AN3515	48" x 15" in (1200 x 375 mm)	3500	167.5 in (4253 mm)	59.5 in (1510 mm)	41.9 in (1063 mm)	83.7 in (2127 mm)
4852AN3518	48" X 18" in (1200 x 450 mm)	3500	167.5 in (4253 mm)	59.5 in (1511 mm)	41.9 in (1063 mm)	83.7 in (2127 mm)
4852AN3524	48" x 24" in (1200 x 600 mm)	3500	167.5 in (4253 mm)	60.1 in (1526 mm)	41.9 in (1063 mm)	83.7 in (2127 mm)

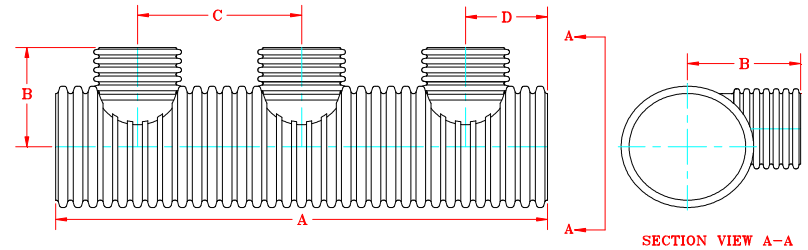
NOTE: ALL FITTINGS DIMENSIONS ARE FOR REFERENCE ONLY



DRAWING #:	5530	DATE
DRAWN BY:	CAS	01.06.2010
APPROVED BY:		
REVISIONS:		

**STORMTECH DUAL WALL FABRICATED "SOIL TIGHT" "PLAIN END" REDUCING TRIPLE MANIFOLD
8" - 18" DIAMETER**

PART #	PIPE SIZE	CHAMBER SIZE	A	B	C	D
0853AN7406	8" x 6" in (200 x 150 mm)	SC-740	169.9 in (4316 mm)	10.0 in (253 mm)	56.6 in (1439 mm)	28.3 in (719 mm)
1053AN7406	10" x 6" in (250 x 150 mm)	SC-740	170.1 in (4321 mm)	11.1 in (281 mm)	56.7 in (1440 mm)	28.4 in (720 mm)
1053AN7408	10" X 8" in (250 x 200 mm)	SC-740	170.1 in (4321 mm)	12.4 in (315 mm)	56.7 in (1440 mm)	28.4 in (720 mm)
1253AN7406	12" x 6" in (300 x 150 mm)	SC-740	172.8 in (4389 mm)	12.6 in (321 mm)	57.6 in (1463 mm)	28.8 in (732 mm)
1253AN7408	12" x 8" in (300 x 200 mm)	SC-740	172.8 in (4389 mm)	14.0 in (354 mm)	57.6 in (1463 mm)	28.8 in (732 mm)
1253AN7410	12" x 10" in (300 x 250 mm)	SC-740	172.8 in (4389 mm)	14.8 in (376 mm)	57.6 in (1463 mm)	28.8 in (732 mm)
1553AN7406	15" x 6" in (375 x 150 mm)	SC-740	170.9 in (4342 mm)	15.4 in (391 mm)	57.0 in (1447 mm)	28.5 in (724 mm)
1553AN7408	15" x 8" in (375 x 200 mm)	SC-740	170.9 in (4342 mm)	16.7 in (425 mm)	57.0 in (1447 mm)	28.5 in (724 mm)
1553AN7410	15" x 10" in (375 x 250 mm)	SC-740	170.9 in (4342 mm)	17.6 in (446 mm)	57.0 in (1447 mm)	28.5 in (724 mm)
1553AN7412	15" x 12" in (375 x 300 mm)	SC-740	170.9 in (4342 mm)	19.6 in (498 mm)	57.0 in (1447 mm)	28.5 in (724 mm)
1853AN7406	18" x 6" in (450 x 150 mm)	SC-740	168.8 in (4289 mm)	17.4 in (442 mm)	56.3 in (1430 mm)	28.1 in (715 mm)
1853AN7408	18" x 8" in (450 x 200 mm)	SC-740	168.8 in (4289 mm)	18.7 in (475 mm)	56.3 in (1430 mm)	28.1 in (715 mm)
1853AN7410	18" x 10" in (450 x 250 mm)	SC-740	168.8 in (4289 mm)	19.6 in (497 mm)	56.3 in (1430 mm)	28.1 in (715 mm)
1853AN7412	18" x 12" in (450 x 300 mm)	SC-740	168.8 in (4289 mm)	21.6 in (549 mm)	56.3 in (1430 mm)	28.1 in (715 mm)
1853AN7415	18" x 15" in (450 x 375 mm)	SC-740	168.8 in (4289 mm)	22.4 in (568 mm)	56.3 in (1430 mm)	28.1 in (715 mm)



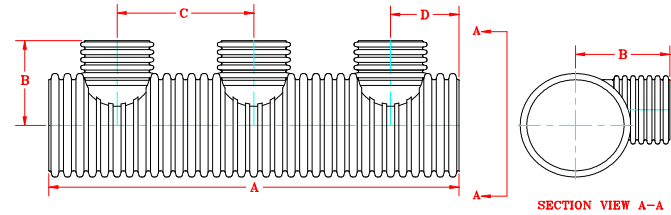
NOTE: ALL FITTINGS DIMENSIONS ARE FOR REFERENCE ONLY



DRAWING #:	5550	
DRAWN BY:	TJR	11.15.07
APPROVED BY:	TJR	11.15.07
REVISIONS:		

STORMTECH DUAL WALL FABRICATED "SOIL TIGHT" "PLAIN END" REDUCING TRIPLE MANIFOLD
24" - 48" DIAMETER

PART #	PIPE SIZE	CHAMBER SIZE	A	B	C	D
2453AN7406	24" x 6" in (600 x 150 mm)	SC-740	170.1 in (4321 mm)	20.4 in (518 mm)	56.7 in (1440 mm)	28.4 in (720 mm)
2453AN7408	24" x 8" in (600 x 200 mm)	SC-740	170.1 in (4321 mm)	21.7 in (552 mm)	56.7 in (1440 mm)	28.4 in (720 mm)
2453AN7410	24" X 10" in (600 x 250 mm)	SC-740	170.1 in (4321 mm)	22.6 in (573 mm)	56.7 in (1440 mm)	28.4 in (720 mm)
2453AN7412	24" x 12" in (600 x 300 mm)	SC-740	170.1 in (4321 mm)	24.6 in (625 mm)	56.7 in (1440 mm)	28.4 in (720 mm)
2453AN7415	24" x 15" in (600 x 375 mm)	SC-740	170.1 in (4321 mm)	25.4 in (644 mm)	56.7 in (1440 mm)	28.4 in (720 mm)
2453AN7418	24" x 18" in (600 x 450 mm)	SC-740	170.1 in (4321 mm)	25.7 in (653 mm)	56.7 in (1440 mm)	28.4 in (720 mm)
3053AN7406	30" x 6" in (750 x 150 mm)	SC-740	173.0 in (4395 mm)	25.4 in (645 mm)	57.7 in (1465 mm)	28.8 in (733 mm)
3053AN7412	30" x 12" in (750 x 300 mm)	SC-740	173.0 in (4395 mm)	29.6 in (752 mm)	57.7 in (1465 mm)	28.8 in (733 mm)
3053AN7415	30" x 15" in (750 x 375 mm)	SC-740	173.0 in (4395 mm)	30.4 in (772 mm)	57.7 in (1465 mm)	28.8 in (733 mm)
3053AN7418	30" x 18" in (750 x 450 mm)	SC-740	173.0 in (4395 mm)	30.7 in (780 mm)	57.7 in (1465 mm)	28.8 in (733 mm)
3053AN7424	30" x 24" in (750 x 600 mm)	SC-740	173.0 in (4395 mm)	27.0 in (686 mm)	57.7 in (1465 mm)	28.8 in (733 mm)
3653AN7412	36" x 12" in (900 x 300 mm)	SC-740	173.3 in (4401 mm)	31.6 in (803 mm)	57.8 in (29 mm)	28.9 in (29 mm)
3653AN7415	36" x 15" in (900 x 375 mm)	SC-740	173.3 in (4401 mm)	32.4 in (823 mm)	57.8 in (1467 mm)	28.9 in (734 mm)
3653AN7418	36" x 18" in (900 x 450 mm)	SC-740	173.3 in (4401 mm)	32.7 in (831 mm)	57.8 in (1467 mm)	28.9 in (734 mm)
3653AN7424	36" x 24" in (900 x 600 mm)	SC-740	173.3 in (4401 mm)	31.3 in (795 mm)	57.8 in (1467 mm)	28.9 in (734 mm)



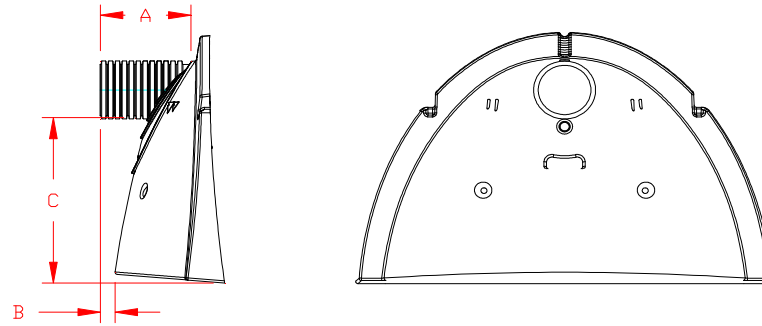
PART #	PIPE SIZE	CHAMBER SIZE	A	B	C	D
4253AN7412	42" x 12" in (1050 x 300 mm)	SC-740	171.3 in (4350 mm)	34.6 in (879 mm)	57.1 in (1450 mm)	28.6 in (725 mm)
4253AN7415	42" x 15" in (1050 x 375 mm)	SC-740	171.3 in (4350 mm)	35.4 in (899 mm)	57.1 in (1450 mm)	28.6 in (725 mm)
4253AN7418	42" x 18" in (1050 x 450 mm)	SC-740	171.3 in (4350 mm)	34.6 in (878 mm)	57.1 in (1450 mm)	28.6 in (725 mm)
4253AN7424	42" x 24" in (1050 x 600 mm)	SC-740	171.3 in (4350 mm)	34.3 in (871 mm)	57.1 in (1450 mm)	28.6 in (725 mm)
4853AN7412	48" x 12" in (1200 x 300 mm)	SC-740	173.3 in (4401 mm)	37.6 in (955 mm)	57.8 in (1467 mm)	28.9 in (734 mm)
4853AN7415	48" x 15" in (1200 x 375 mm)	SC-740	173.3 in (4401 mm)	38.4 in (975 mm)	57.8 in (1467 mm)	28.9 in (734 mm)
4853AN7418	48" x 18" in (1200 x 450 mm)	SC-740	173.3 in (4401 mm)	38.7 in (983 mm)	57.8 in (1467 mm)	28.9 in (734 mm)
4853AN7424	48" x 24" in (1200 x 600 mm)	SC-740	173.3 in (4401 mm)	37.3 in (947 mm)	57.8 in (1467 mm)	28.9 in (734 mm)

NOTE: ALL FITTINGS DIMENSIONS ARE FOR REFERENCE ONLY



DRAWING #:	5600	
DRAWN BY:	TJR	11.15.07
APPROVED BY:	TJR	11.15.07
REVISIONS:		

STORMTECH STORM CHAMBER "SOIL TIGHT" END CAPS - TOP



STUB AT TOP OF END CAP
FOR PART NUMBERS ENDING WITH "T"

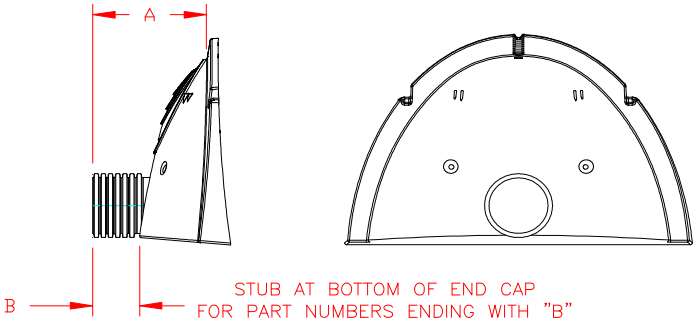
PART #	PIPE SIZE	CHAMBER SIZE	A	B	C
SC310EPEO6T	6 in (150 mm)	310	11.9 in (302 mm)	5.4 in (137 mm)	5.5 in (140 mm)
SC310EPEO8T	8 in (200 mm)	310	12.8 in (325 mm)	6.3 in (160 mm)	3.5 in (89 mm)
SC310EPE10T	10 in (250 mm)	310	13.1 in (333 mm)	6.5 in (165 mm)	1.4 in (36 mm)
SC740EPEO6T	6 in (150 mm)	740	14.3 in (363 mm)	5.3 in (135 mm)	19.8 in (503 mm)
SC740EPEO8T	8 in (200 mm)	740	15.3 in (389 mm)	6.3 in (160 mm)	17.9 in (455 mm)
SC740EPE10T	10 in (250 mm)	740	15.5 in (394 mm)	6.5 in (165 mm)	15.8 in (401 mm)
SC740EPE12T	12 in (300 mm)	740	18.2 in (462 mm)	9.2 in (234 mm)	13.7 in (348 mm)
SC740EPE15T	15 in (375 mm)	740	20.8 in (528 mm)	11.9 in (302 mm)	10.5 in (267 mm)
SC740EPE18T	18 in (450 mm)	740	21.2 in (538 mm)	12.2 in (310 mm)	6.5 in (165 mm)

NOTE: ALL FITTINGS DIMENSIONS ARE FOR REFERENCE ONLY



DRAWING #:	5650	
DRAWN BY:	TJR	11.15.07
APPROVED BY:	TJR	11.15.07
REVISIONS:	WLG	08.05.08

STORMTECH STORM CHAMBER "SOIL TIGHT" END CAPS - BOTTOM



PART #	PIPE SIZE	CHAMBER SIZE	A	B
SC310EPEO6B	6 in (150 mm)	310	11.9 in (302 mm)	5.4 in (137 mm)
SC310EPEO8B	8 in (200 mm)	310	12.8 in (325 mm)	6.3 in (160 mm)
SC310EPE10B	10 in (250 mm)	310	13.1 in (333 mm)	6.5 in (165 mm)
* SC310EPE12B	12 in (300 mm)	310	16.0 in (406 mm)	9.2 in (234 mm)
SC740EPEO6B	6 in (150 mm)	740	14.3 in (363 mm)	5.3 in (135 mm)
SC740EPEO8B	8 in (200 mm)	740	15.3 in (389 mm)	6.3 in (160 mm)
SC740EPE10B	10 in (250 mm)	740	15.5 in (394 mm)	6.5 in (165 mm)
SC740EPE12B	12 in (300 mm)	740	18.2 in (462 mm)	9.2 in (234 mm)
SC740EPE15B	15 in (375 mm)	740	20.8 in (528 mm)	11.9 in (302 mm)
SC740EPE18B	18 in (450 mm)	740	21.2 in (538 mm)	12.2 in (310 mm)
* SC740EPE24B	24 in (600 mm)	740	20.1 in (511 mm)	11.0 in (279 mm)

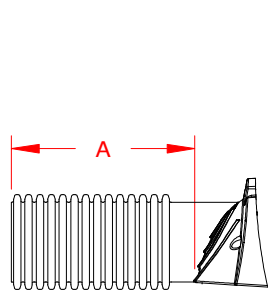
ALL STUBS, EXCEPT FOR THE SC310EPE12B AND SC740EPE24B ARE PLACED AT BOTTOM OF END CAP SUCH THAT THE OUTSIDE DIAMETER OF THE STUB IS FLUSH WITH THE BOTTOM OF THE END CAP.

* FOR SC310EPE12B THE 12" STUB LIES BELOW THE BOTTOM OF THE END CAP APPROXIMATELY 0.25". FOR SC740EPE24B THE 24" STUB LIES BELOW THE BOTTOM OF THE END CAP APPROXIMATELY 1.75". BACKFILL MATERIAL SHOULD BE REMOVED FROM BELOW THE N-12 STUB SO THAT THE FITTING SETS LEVEL.

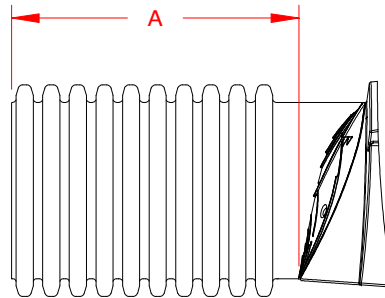
NOTE: ALL FITTINGS DIMENSIONS ARE FOR REFERENCE ONLY

	DRAWING #:	5700
	DRAWN BY:	TJR
	APPROVED BY:	TJR
	REVISIONS:	WLG

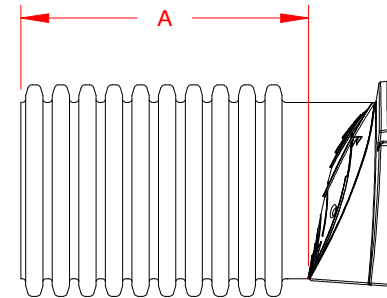
STORMTECH STORM CHAMBER "SOIL TIGHT" EXTENDED
 PREFAB END CAP STUB LENGTHS



SC-310 - 12" PIPE
 SC310EPE12BL



SC-740 - 24" PIPE
 SC740EPE24BL



DC-780 - 24" PIPE
 LS3051EPE24BL

PART #	PIPE SIZE	CHAMBER SIZE	A
SC310EPE12BL	12 in (150 mm)	310	25.0 in (635 mm)
SC740EPE24BL	24 in (200 mm)	740	25.0 in (635 mm)
LS3051EPE24BL	24 in (250 mm)	780	25.0 in (635 mm)

NOTE: ALL FITTINGS DIMENSIONS ARE FOR REFERENCE ONLY



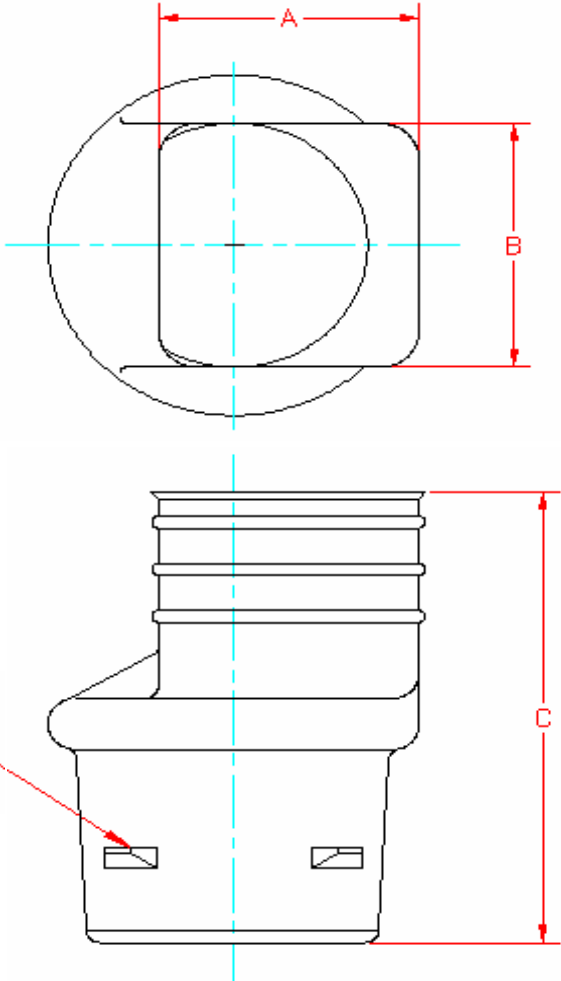
DRAWING #:	5750	
DRAWN BY:	TJR	8/17/2010
APPROVED BY:		
REVISIONS:		

DOWNSPOUT ADAPTERS

PART #	PIPE SIZE	A	B	C
0364AA	3 in (76 mm)	2.5 in (64 mm)	3.3 in (83 mm)	4.8 in (121 mm)
0464AA	4 in (102 mm)	2.5 in (64 mm)	3.3 in (83 mm)	4.8 in (121 mm)
0465AA	4 in (102 mm)	3.3 in (83 mm)	4.5 in (114 mm)	5.0 in (127 mm)
0466AA	4 in (102 mm)	2.6 in (65 mm)	2.6 in (65 mm)	4.6 in (118 mm)
0664AA	6 in (152 mm)	3.6 in (92 mm)	5.6 in (143 mm)	6.4 in (163 mm)
0664AC*	6 in (152 mm)	3.6 in (92 mm)	5.6 in (143 mm)	6.4 in (163 mm)

* Part 0664AC is PVC

SNAP CONNECTION

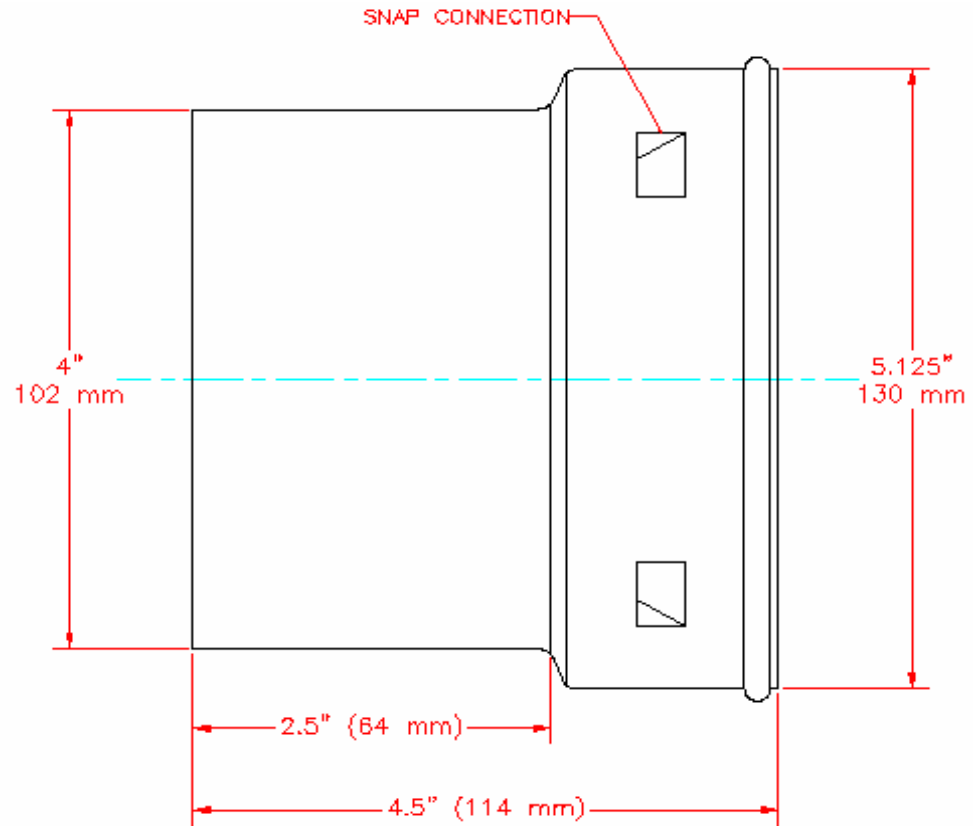


NOTE: ALL DIMENSIONS ARE NOMINAL

	DRAWING #:	6000	
	DRAWN BY:	JCB	03.20.07
	APPROVED BY:	JCB	06.28.07
	REVISIONS:	NJP	06.20.07

4" SEWER AND DRAIN ADAPTER

PART # 0467AA



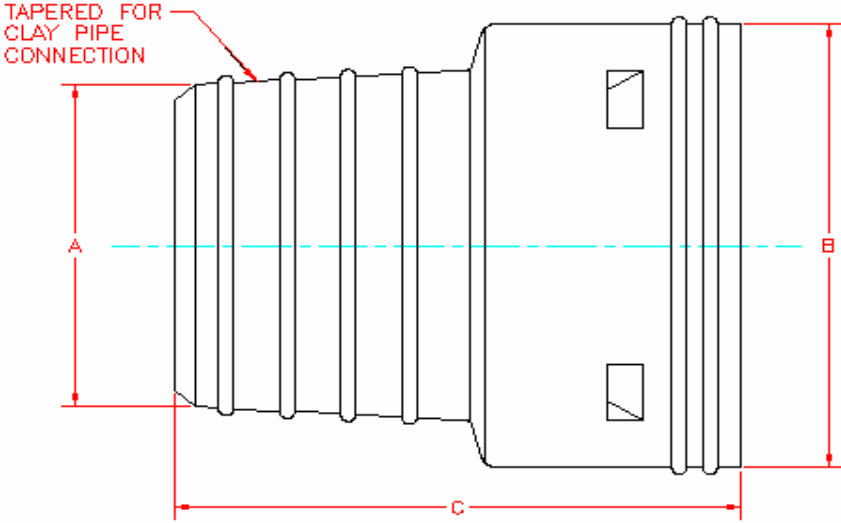
NOTE: ALL DIMENSIONS ARE NOMINAL




DRAWING #:	6010	
DRAWN BY:	JCB	03.20.07
APPROVED BY:	JCB	06.28.07
REVISIONS:	NJP	06.20.07

CLAY SNAP ADAPTER

PART #	PIPE SIZE	A	B	C
0362AA	3 in (76 mm)	2.9 in (73 mm)	4.0 in (102 mm)	4.1 in (105 mm)
0462AA	4 in (102 mm)	3.9 in (99 mm)	5.1 in (130 mm)	4.3 in (108 mm)
0562AA	5 in (127 mm)	4.9 in (124 mm)	6.3 in (159 mm)	5.0 in (127 mm)
0662AA	6 in (152 mm)	5.8 in (146 mm)	7.4 in (187 mm)	5.5 in (140 mm)
0862AA	8 in (203 mm)	7.8 in (197 mm)	10.0 in (254 mm)	5.5 in (140 mm)

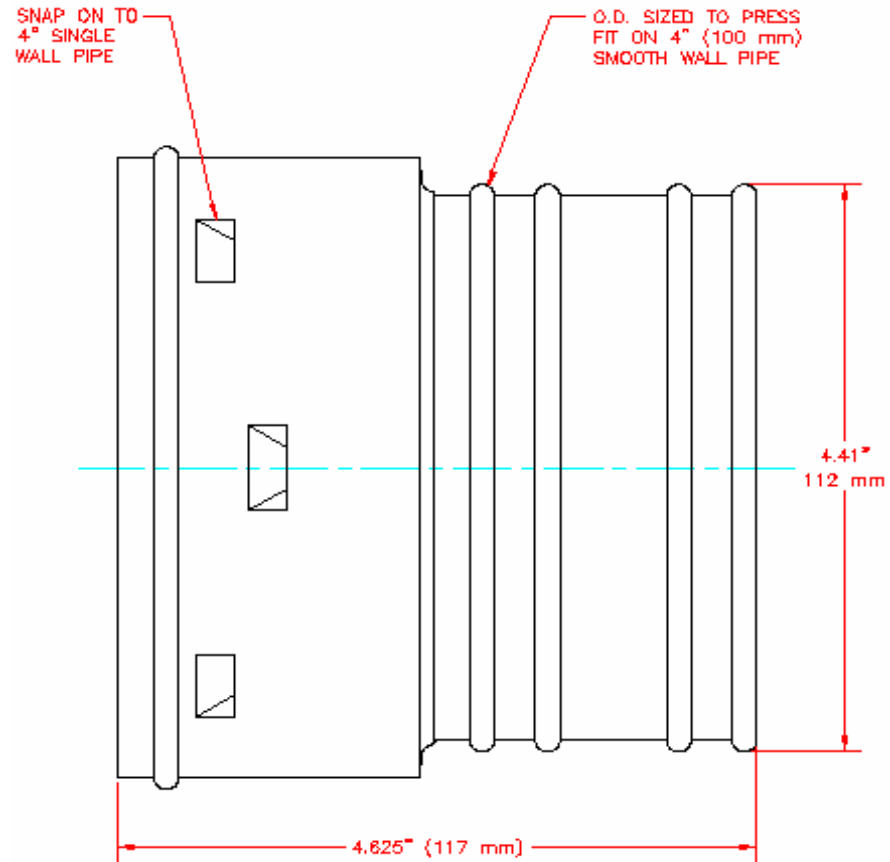


NOTE: ALL DIMENSIONS ARE NOMINAL

	DRAWING #:	6015
	DRAWN BY:	JCB 03.20.07
	APPROVED BY:	JCB 06.28.07
	REVISIONS:	NJP 06.20.07

SEPTIC TANK ADAPTER

PART # 0463AA



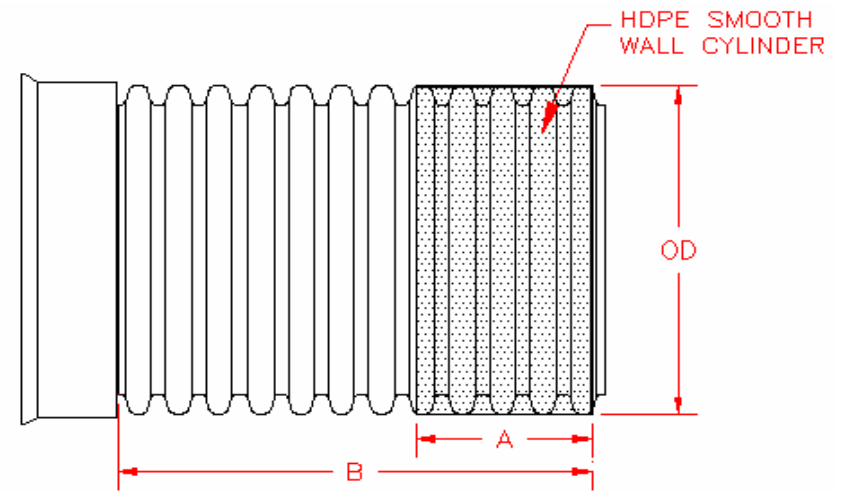
NOTE: ALL DIMENSIONS ARE NOMINAL



DRAWING #:	6020	
DRAWN BY:	JCB	03.20.07
APPROVED BY:	JCB	06.28.07
REVISIONS:	NJP	06.20.07

DUAL WALL TO RCP MANHOLE ADAPTER FITTING WATER TIGHT CONNECTION

PART #	PIPE SIZE	A	B	OD
1222ANB	12 in (300 mm)	12.0 in (305 mm)	48.0 in (1219 mm)	14.8 in (375 mm)
1522ANB	15 in (375 mm)	14.5 in (368 mm)	46.6 in (1184 mm)	18.0 in (457 mm)
1822ANB	18 in (450 mm)	18.0 in (457 mm)	45.6 in (1157 mm)	21.8 in (552 mm)
2422ANB	24 in (600 mm)	24.0 in (610 mm)	47.3 in (1200 mm)	28.6 in (726 mm)
3022ANB	30 in (750 mm)	24.0 in (610 mm)	45.3 in (1151 mm)	35.9 in (913 mm)
3622ANB	36 in (900 mm)	24.0 in (610 mm)	46.3 in (1175 mm)	41.9 in (1063 mm)
4222ANB	42 in (1050 mm)	24.0 in (610 mm)	46.7 in (1186 mm)	48.5 in (1232 mm)
4822ANB	48 in (1200 mm)	24.0 in (610 mm)	47.3 in (1200 mm)	54.7 in (1388 mm)
6022ANB	60 in (1500 mm)	30.0 in (762 mm)	54.0 in (1372 mm)	67.5 in (1713 mm)



NOTE:

REQUIRES SERIES 65 GASKET (INCLUDED)
IN FIELD TO MAKE WT CONNECTION

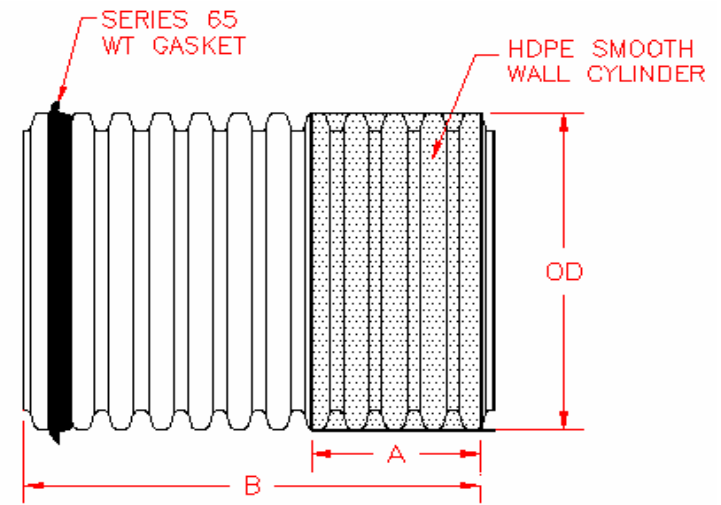
NOTE: ALL DIMENSIONS ARE NOMINAL



DRAWING #:	6050	
DRAWN BY:	JCB	04.23.07
APPROVED BY:	JCB	06.28.07
REVISIONS:	NJP	06.20.07

DUAL WALL TO RCP MANHOLE ADAPTER FITTING WATER TIGHT CONNECTION

PART #	PIPE SIZE	A	B	OD
1222AN	12 in (300 mm)	12.0 in (305 mm)	48.0 in (1219 mm)	14.8 in (375 mm)
1522AN	15 in (375 mm)	14.5 in (368 mm)	46.6 in (1184 mm)	18.0 in (457 mm)
1822AN	18 in (450 mm)	18.0 in (457 mm)	45.6 in (1157 mm)	21.8 in (552 mm)
2422AN	24 in (600 mm)	24.0 in (610 mm)	47.3 in (1200 mm)	28.6 in (726 mm)
3022AN	30 in (750 mm)	24.0 in (610 mm)	45.3 in (1151 mm)	35.9 in (913 mm)
3622AN	36 in (900 mm)	24.0 in (610 mm)	46.3 in (1175 mm)	41.9 in (1063 mm)
4222AN	42 in (1050 mm)	24.0 in (610 mm)	46.7 in (1186 mm)	48.5 in (1232 mm)
4822AN	48 in (1200 mm)	24.0 in (610 mm)	47.3 in (1200 mm)	54.7 in (1388 mm)
6022AN	60 in (1500 mm)	30.0 in (762 mm)	54.0 in (1372 mm)	67.5 in (1713 mm)



NOTE:

REQUIRES SERIES 65 GASKET (INCLUDED)
IN FIELD TO MAKE WT CONNECTION

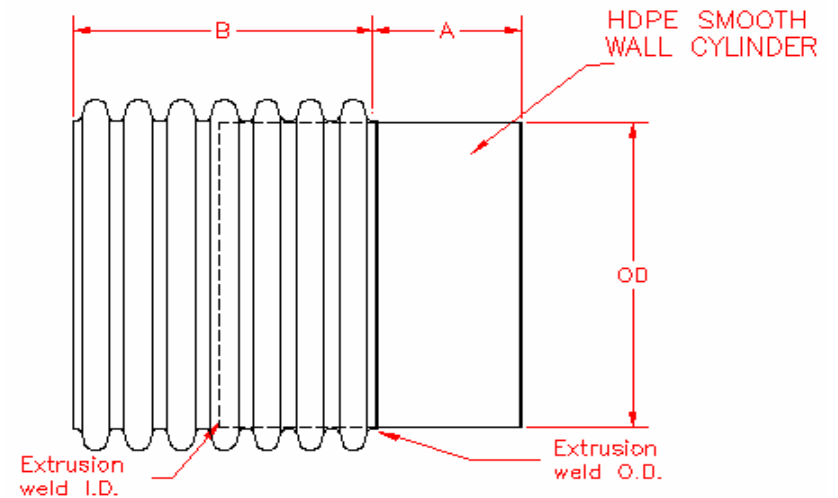
NOTE: ALL DIMENSIONS ARE NOMINAL



DRAWING #:	6050A	
DRAWN BY:	JCB	04.23.07
APPROVED BY:	JCB	06.28.07
REVISIONS:	NJP	06.20.07

DUAL WALL ADAPTER FITTING

PART #	PIPE SIZE	A	B	OD
1221AN	12 in (300 mm)	6.0 in (152 mm)	11.5 in (293 mm)	12.1 in (306 mm)
1521AN	15 in (375 mm)	6.0 in (152 mm)	13.0 in (329 mm)	15.0 in (381 mm)
1821AN	18 in (450 mm)	6.0 in (152 mm)	13.4 in (340 mm)	18.0 in (457 mm)
2421AN	24 in (600 mm)	8.0 in (203 mm)	15.8 in (400 mm)	24.0 in (610 mm)
3021AN	30 in (750 mm)	10.0 in (254 mm)	20.6 in (523 mm)	30.0 in (762 mm)
3621AN	36 in (900 mm)	10.0 in (254 mm)	25.7 in (653 mm)	36.0 in (914 mm)
4221AN	42 in (1050 mm)	10.0 in (254 mm)	26.0 in (659 mm)	41.3 in (1048 mm)
4821AN	48 in (1200 mm)	10.0 in (254 mm)	26.3 in (667 mm)	47.6 in (1209 mm)
6021AN	60 in (1500 mm)	10.0 in (254 mm)	30.0 in (762 mm)	59.5 in (1511 mm)



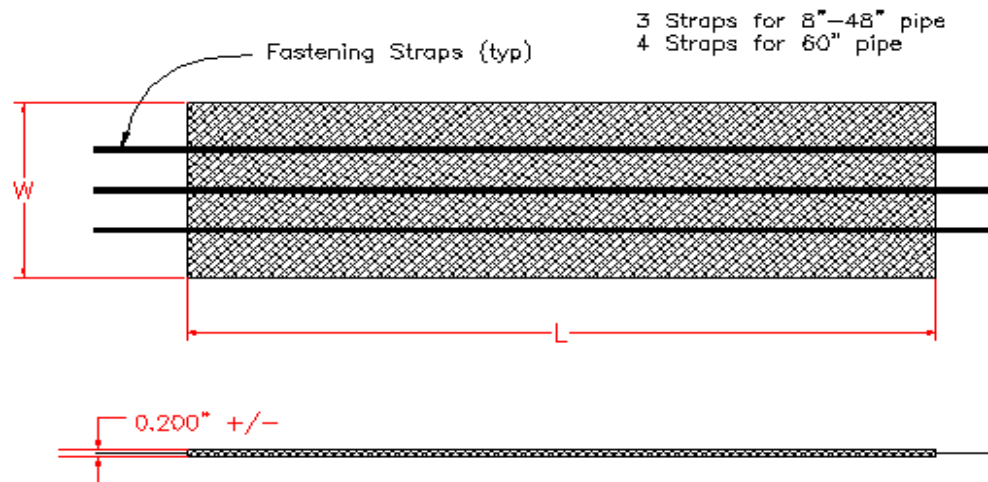
NOTE: ALL DIMENSIONS ARE NOMINAL




DRAWING #:	6055	
DRAWN BY:	JCB	03.20.07
APPROVED BY:	JCB	06.28.07
REVISIONS:	NJP	06.20.07

8" - 60" FIELD REPAIR COUPLER

PART #	PIPE SIZE	L	W
0867RC	8 in (200 mm)	35.0 in (889 mm)	4.0 in (102 mm)
1067RC	10 in (250 mm)	42.0 in (1067 mm)	6.0 in (152 mm)
1267RC	12 in (300 mm)	52.0 in (1321 mm)	7.0 in (178 mm)
1567RC	15 in (375 mm)	62.0 in (1575 mm)	10.0 in (254 mm)
1867RC	18 in (450 mm)	75.0 in (1905 mm)	10.0 in (254 mm)
2467RC	24 in (600 mm)	94.0 in (2388 mm)	12.0 in (305 mm)
3067RC	30 in (750 mm)	125.0 in (3175 mm)	15.0 in (381 mm)
3667RC	36 in (900 mm)	141.0 in (3581 mm)	18.0 in (457 mm)
4267RC	42 in (1050 mm)	161.0 in (4089 mm)	20.0 in (508 mm)
4867RC	48 in (1200 mm)	183.0 in (4648 mm)	20.0 in (508 mm)
6067RC	60 in (1500 mm)	222.0 in (5639 mm)	28.0 in (711 mm)

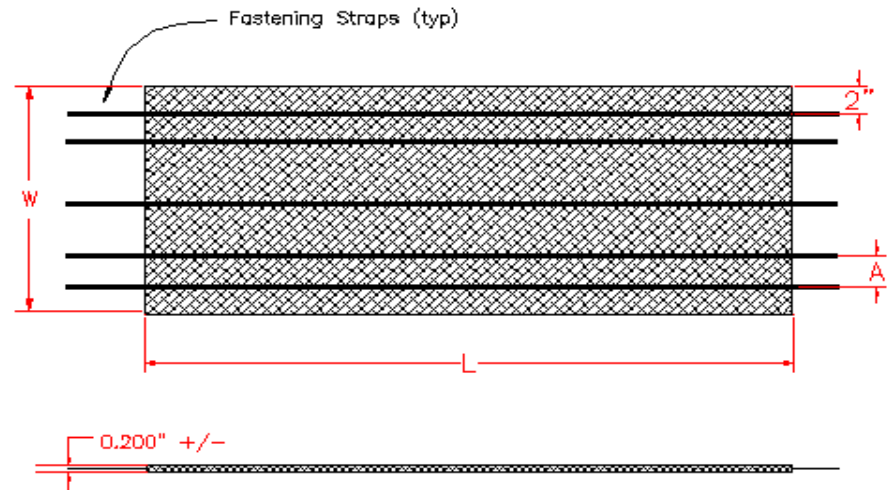


NOTE: ALL DIMENSIONS ARE NOMINAL


	DRAWING #:	6060	
	DRAWN BY:	JCB	03.20.07
	APPROVED BY:	JCB	06.28.07
	REVISIONS:	TJR	09.26.08

12" - 60" DOUBLE WIDE FIELD REPAIR COUPLER

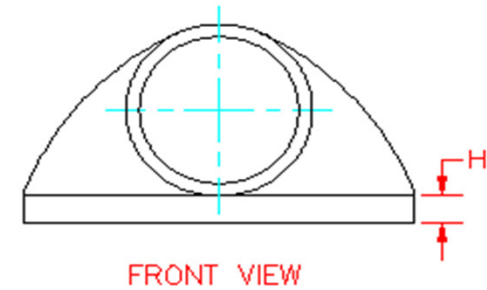
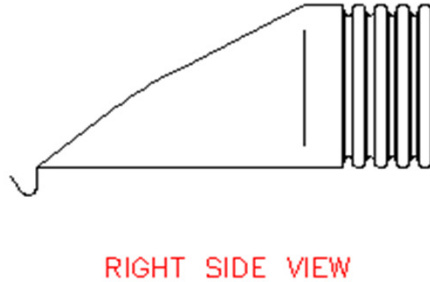
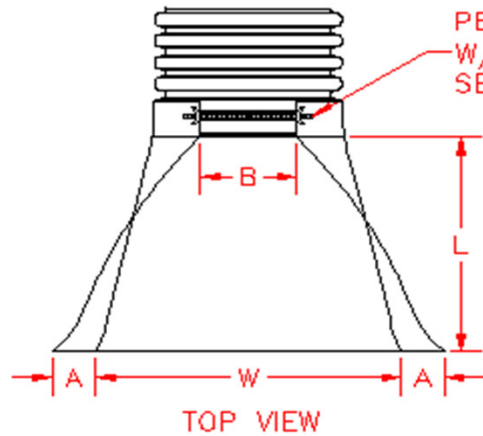
PART #	PIPE SIZE	L	W	A
1267RCD	12 in (300 mm)	52.0 in (1321 mm)	12.0 in (305 mm)	2.0 in (51 mm)
1567RCD	15 in (375 mm)	62.0 in (1575 mm)	14.0 in (356 mm)	2.6 in (66 mm)
1867RCD	18 in (450 mm)	75.0 in (1905 mm)	16.0 in (406 mm)	2.8 in (70 mm)
2467RCD	24 in (600 mm)	94.0 in (2388 mm)	20.0 in (508 mm)	3.3 in (83 mm)
3067RCD	30 in (600 mm)	125.0 in (3175 mm)	24.0 in (610 mm)	4.5 in (114 mm)
3667RCD	36 in (600 mm)	141.0 in (3581 mm)	30.0 in (762 mm)	5.0 in (127 mm)
4267RCD	42 in (600 mm)	161.0 in (4089 mm)	30.0 in (762 mm)	5.5 in (140 mm)
4867RCD	48 in (600 mm)	183.0 in (4648 mm)	32.0 in (813 mm)	5.5 in (140 mm)
6067RCD	60 in (600 mm)	222.0 in (5639 mm)	46.0 in (1168 mm)	6.8 in (171 mm)



NOTE: ALL DIMENSIONS ARE NOMINAL

	DRAWING #:	6065
	DRAWN BY:	JCB 01.17.07
	APPROVED BY:	JCB 06.28.07
	REVISIONS:	TJR 09.26.08

FLARED END SECTIONS



PART #	PIPE SIZE	A	B(MAX)	H	L	W
1015NP	10 in (250 mm)	3.8 in (95 mm)	10.0 in (254 mm)	6.5 in (165 mm)	28.0 in (711 mm)	34.5 in (876 mm)
1215NP	12 & 15 (300 & 375mm)	6.5 in (165 mm)	10.0 in (254 mm)	6.5 in (165 mm)	25.0 in (635 mm)	29.0 in (737 mm)
1810NP	18 in (450 mm)	7.5 in (191 mm)	15.0 in (381 mm)	6.5 in (165 mm)	32.0 in (813 mm)	35.0 in (889 mm)
2410NP	24 in (600 mm)	7.5 in (191 mm)	18.0 in (457 mm)	6.5 in (165 mm)	36.0 in (914 mm)	45.0 in (1143 mm)
3015NP	30 in (750 mm)	7.5 in (191 mm)	12.0 in (305 mm)	8.6 in (218 mm)	58.0 in (1473 mm)	63.0 in (1600 mm)
3615NP	36 in (900 mm)	7.5 in (191 mm)	25.0 in (635 mm)	8.6 in (218 mm)	58.0 in (1473 mm)	63.0 in (1600 mm)

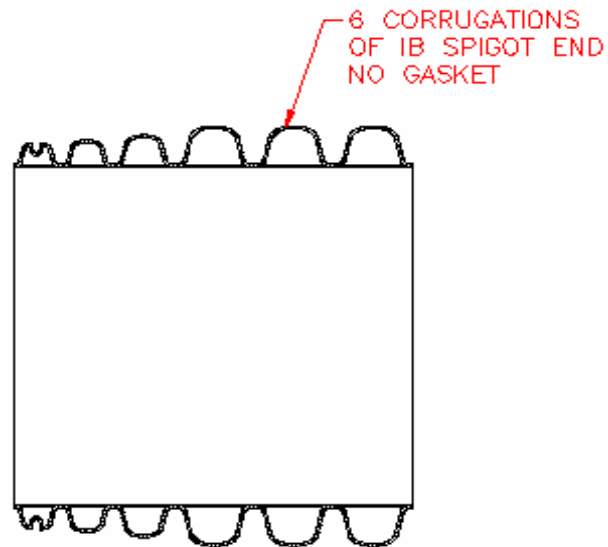
NOTE: ALL DIMENSIONS ARE NOMINAL



DRAWING #:	6070	
DRAWN BY:	JCB	01.17.07
APPROVED BY:	JCB	06.28.07
REVISIONS:	TJR	6/7/2016

DUAL WALL JOINT PUSHER

PART #	PIPE SIZE
1208AN	12 in (300 mm)
1508AN	15 in (375 mm)
1808AN	18 in (450 mm)
2408AN	24 in (600 mm)
3008AN	30 in (750 mm)
3608AN	36 in (900 mm)
4208AN	42 in (1050 mm)
4808AN	48 in (1200 mm)
6006AN	60 in (1500 mm)



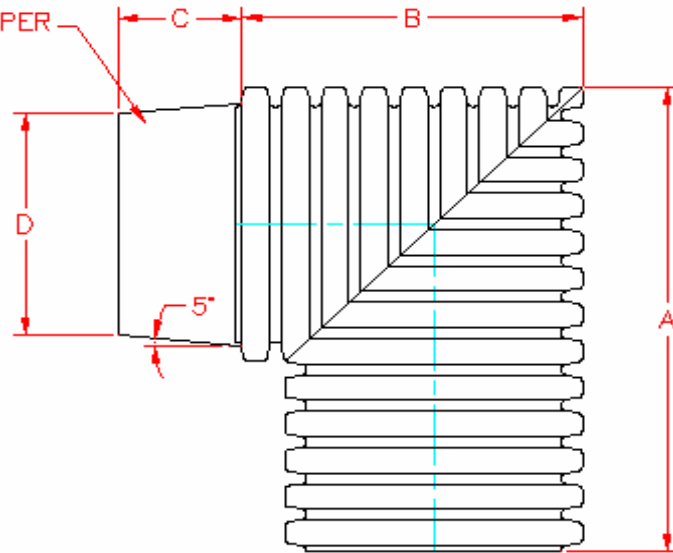
NOTE: ALL DIMENSIONS ARE NOMINAL



DRAWING #:	6085	
DRAWN BY:	JCB	03.20.07
APPROVED BY:	JCB	06.28.07
REVISIONS:	NJP	06.20.07

CATCH BASIN ELBOW

1/8" THICK ROLLED TAPER



PART #	PIPE SIZE	A	B	C	D
0899ANCB	8 in (200 mm)	15.4 in (391 mm)	10.6 in (269 mm)	5.5 in (140 mm)	7.5 in (191 mm)
1099ANCB	10 in (250 mm)	18.9 in (480 mm)	11.3 in (287 mm)	5.5 in (140 mm)	9.5 in (241 mm)
1299ANCB	12 in (300 mm)	25.0 in (635 mm)	17.3 in (439 mm)	5.5 in (140 mm)	11.8 in (298 mm)

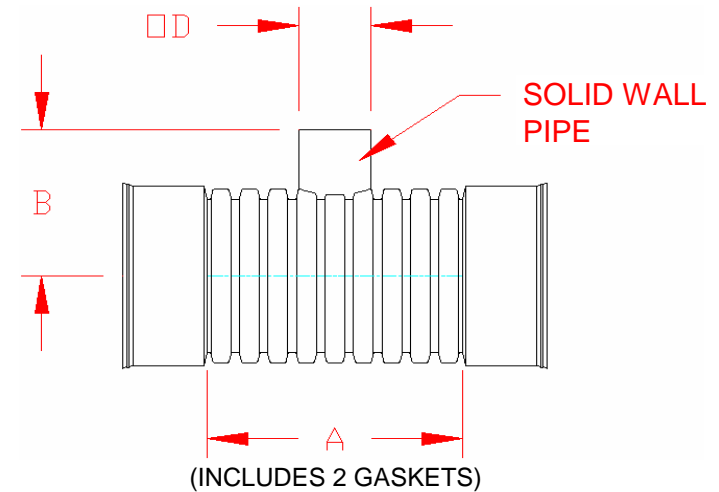
NOTE: ALL DIMENSIONS ARE NOMINAL



DRAWING #:	6090	
DRAWN BY:	JCB	03.20.07
APPROVED BY:	JCB	06.28.07
REVISIONS:	NJP	06.20.07

REDUCING TAP TEE (ST/WT CONNECTION)

PART #	PIPE SIZE	A	B	OD
0660AN65BS	6 x 4 in (150 x 100 mm)	8.5 in (216 mm)	9.5 in (241 mm)	4.3 in (108 mm)
0860AN65BS	8 x 4 in (200 x 100 mm)	11.5 in (293 mm)	11.0 in (279 mm)	4.3 in (108 mm)
0861AN65BS	8 x 6 in (200 x 150 mm)	11.5 in (293 mm)	10.6 in (270 mm)	6.3 in (159 mm)
1060AN65BS	10 x 4 in (250 x 100 mm)	15.1 in (384 mm)	12.0 in (305 mm)	4.3 in (108 mm)
1061AN65BS	10 x 6 in (250 x 150 mm)	15.1 in (384 mm)	12.0 in (305 mm)	6.3 in (159 mm)
1062AN65BS	10 x 8 in (250 x 200 mm)	15.1 in (384 mm)	12.0 in (305 mm)	8.6 in (218 mm)
1260AN65BS	12 x 4 in (300 x 100 mm)	19.5 in (496 mm)	13.1 in (333 mm)	4.3 in (108 mm)
1261AN65BS	12 x 6 in (300 x 150 mm)	19.5 in (496 mm)	13.1 in (333 mm)	6.3 in (159 mm)
1262AN65BS	12 x 8 in (300 x 200 mm)	19.5 in (496 mm)	13.1 in (333 mm)	8.6 in (218 mm)
1560AN65BS	15 x 4 in (375 x 100 mm)	23.6 in (600 mm)	14.8 in (375 mm)	4.3 in (108 mm)
1561AN65BS	15 x 6 in (375 x 150 mm)	23.6 in (600 mm)	14.8 in (375 mm)	6.3 in (159 mm)
1562AN65BS	15 x 8 in (375 x 200 mm)	23.6 in (600 mm)	14.8 in (375 mm)	8.6 in (218 mm)



NOTE: ALL FITTINGS DIMENSIONS ARE FOR REFERENCE ONLY

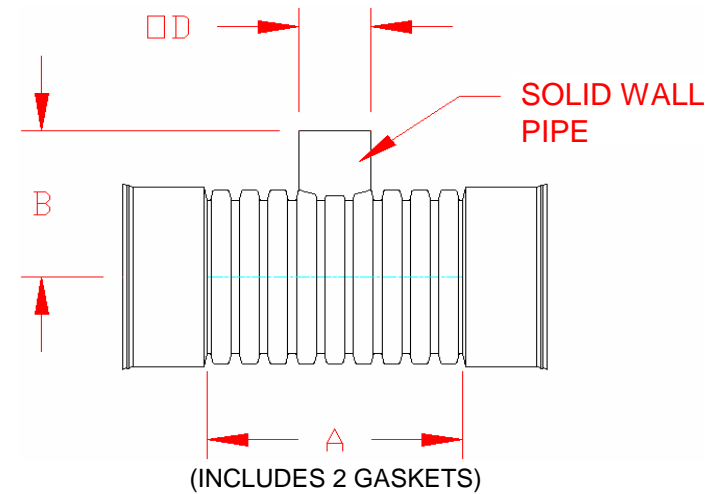


ADVANCED DRAINAGE SYSTEMS, INC.

DRAWING #:	6100	
DRAWN BY:	JCB	05.07.07
APPROVED BY:	JCB	06.28.07
REVISIONS:	NJP	06.20.07

REDUCING TAP TEE (ST/WT CONNECTION)

PART #	PIPE SIZE	A	B	OD
1860AN65BS	18 x 4 in (450 x 100 mm)	23.5 in (597 mm)	16.8 in (425 mm)	4.3 in (108 mm)
1861AN65BS	18 x 6 in (450 x 150 mm)	23.5 in (597 mm)	16.8 in (425 mm)	6.3 in (159 mm)
1862AN65BS	18 x 8 in (450 x 200 mm)	23.5 in (597 mm)	16.8 in (425 mm)	8.6 in (218 mm)
2460AN65BS	24 x 4 in (600 x 100 mm)	25.0 in (636 mm)	20.1 in (511 mm)	4.3 in (108 mm)
2461AN65BS	24 x 6 in (600 x 150 mm)	25.0 in (636 mm)	20.1 in (511 mm)	6.3 in (159 mm)
2462AN65BS	24 x 8 in (600 x 200 mm)	25.0 in (636 mm)	20.1 in (511 mm)	8.6 in (218 mm)
3060AN65BS	30 x 4 in (750 x 100 mm)	28.6 in (725 mm)	23.8 in (603 mm)	4.3 in (108 mm)
3061AN65BS	30 x 6 in (750 x 150 mm)	28.6 in (725 mm)	23.8 in (603 mm)	6.3 in (159 mm)
3062AN65BS	30 x 8 in (750 x 200 mm)	28.6 in (725 mm)	23.8 in (603 mm)	8.6 in (218 mm)
3660AN65BS	36 x 4 in (900 x 100 mm)	36.7 in (933 mm)	26.6 in (676 mm)	4.3 in (108 mm)
3661AN65BS	36 x 6 in (900 x 150 mm)	36.7 in (933 mm)	26.6 in (676 mm)	6.3 in (159 mm)
3662AN65BS	36 x 8 in (900 x 200 mm)	36.7 in (933 mm)	26.6 in (676 mm)	8.6 in (218 mm)



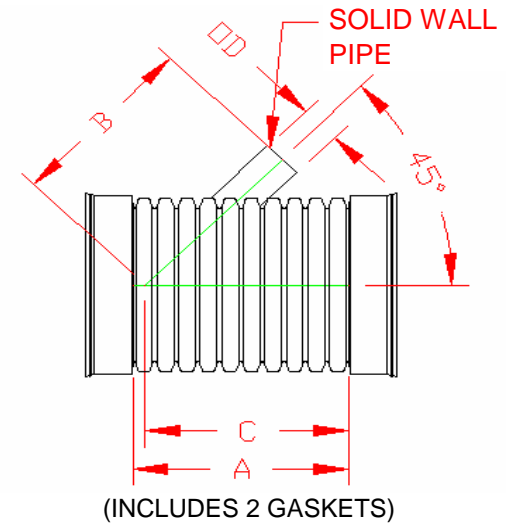
NOTE: ALL FITTINGS DIMENSIONS ARE FOR REFERENCE ONLY



DRAWING #:	6100A	
DRAWN BY:	JCB	05.07.07
APPROVED BY:	JCB	06.28.07
REVISIONS:	NJP	06.20.07

REDUCING TAP WYE (ST/WT CONNECTION)

PART #	PIPE SIZE	A	B	C	OD
0680AN65BS	6 x 4 in (150 x 100 mm)	11.8 in (300 mm)	16.0 in (405 mm)	9.2 in (234 mm)	4.3 in (109 mm)
0880AN65BS	8 x 4 in (200 x 100 mm)	15.4 in (391 mm)	17.3 in (439 mm)	12.1 in (307 mm)	4.3 in (109 mm)
0881AN65BS	8 x 6 in (200 x 150 mm)	15.4 in (391 mm)	19.7 in (499 mm)	12.1 in (307 mm)	6.3 in (160 mm)
1080AN65BS	10 x 4 in (250 x 100 mm)	19.0 in (483 mm)	18.7 in (475 mm)	14.5 in (368 mm)	4.3 in (109 mm)
1081AN65BS	10 x 6 in (250 x 150 mm)	19.0 in (483 mm)	21.1 in (535 mm)	14.5 in (368 mm)	6.3 in (160 mm)
1082AN65BS	10 x 8 in (250 x 200 mm)	19.0 in (483 mm)	23.4 in (594 mm)	14.5 in (368 mm)	8.6 in (218 mm)
1280AN65BS	12 x 4 in (300 x 100 mm)	33.7 in (857 mm)	18.4 in (467 mm)	25.6 in (650 mm)	4.3 in (109 mm)
1281AN65BS	12 x 6 in (300 x 150 mm)	33.7 in (856 mm)	19.4 in (493 mm)	25.6 in (650 mm)	6.3 in (160 mm)
1282AN65BS	12 x 8 in (300 x 200 mm)	33.7 in (856 mm)	21.1 in (536 mm)	25.6 in (650 mm)	8.6 in (218 mm)
1580AN65BS	15 x 4 in (375 x 100 mm)	34.2 in (869 mm)	18.4 in (467 mm)	25.6 in (650 mm)	4.3 in (109 mm)
1581AN65BS	15 x 6 in (375 x 150 mm)	34.2 in (869 mm)	19.4 in (493 mm)	25.6 in (650 mm)	6.3 in (160 mm)
1582AN65BS	15 x 8 in (375 x 200 mm)	34.2 in (869 mm)	21.1 in (536 mm)	25.6 in (650 mm)	8.6 in (218 mm)



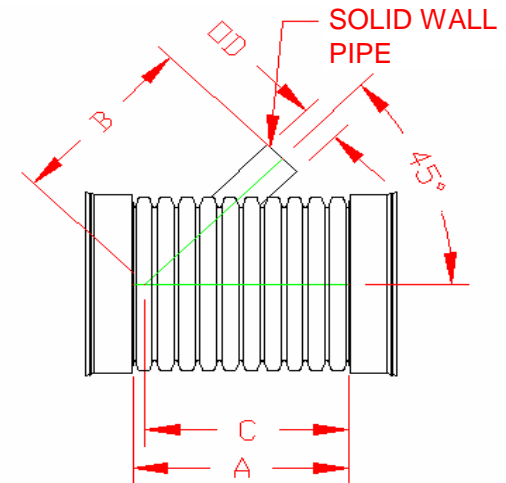
NOTE: ALL FITTINGS DIMENSIONS ARE FOR REFERENCE ONLY



DRAWING #:	6105	
DRAWN BY:	JCB	05.07.07
APPROVED BY:	JCB	06.28.07
REVISIONS:	NJP	06.20.07

REDUCING TAP WYE (ST/WT CONNECTION)

PART #	PIPE SIZE	A	B	C	OD
1880AN65BS	18 x 4 in (450 x 100 mm)	33.9 in (861 mm)	20.9 in (531 mm)	28.0 in (711 mm)	4.3 in (108 mm)
1881AN65BS	18 x 6 in (450 x 150 mm)	33.9 in (861 mm)	21.9 in (556 mm)	28.0 in (711 mm)	6.3 in (159 mm)
1882AN65BS	18 x 8 in (450 x 200 mm)	33.9 in (861 mm)	23.6 in (599 mm)	28.0 in (711 mm)	8.6 in (218 mm)
2480AN65BS	24 x 4 in (600 x 100 mm)	40.7 in (1034 mm)	25.6 in (650 mm)	34.4 in (874 mm)	4.3 in (108 mm)
2481AN65BS	24 x 6 in (600 x 150 mm)	40.7 in (1034 mm)	26.6 in (676 mm)	34.4 in (874 mm)	6.3 in (159 mm)
2482AN65BS	24 x 8 in (600 x 200 mm)	40.7 in (1034 mm)	28.3 in (719 mm)	34.4 in (874 mm)	8.6 in (218 mm)
3080AN65BS	30 x 4 in (750 x 100 mm)	49.4 in (1255 mm)	30.8 in (782 mm)	42.3 in (1074 mm)	4.3 in (108 mm)
3081AN65BS	30 x 6 in (750 x 150 mm)	49.4 in (1255 mm)	31.7 in (805 mm)	42.3 in (1074 mm)	6.3 in (159 mm)
3082AN65BS	30 x 8 in (750 x 200 mm)	49.4 in (1255 mm)	33.5 in (851 mm)	42.3 in (1074 mm)	8.6 in (218 mm)



(INCLUDES 2 GASKETS)

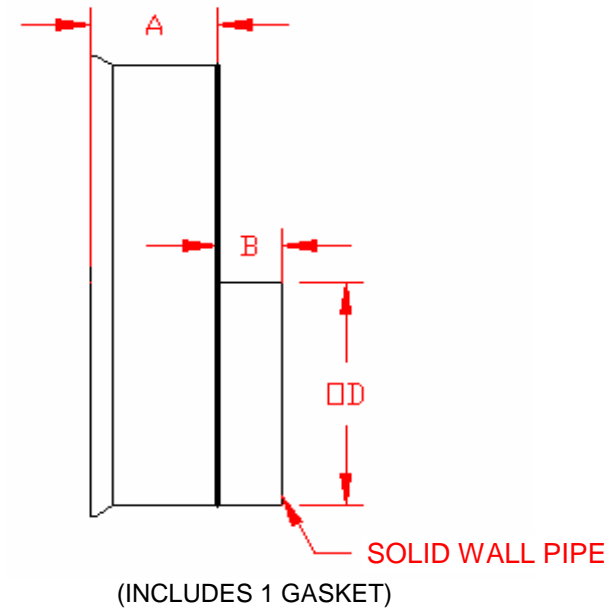
NOTE: ALL FITTINGS DIMENSIONS ARE FOR REFERENCE ONLY



DRAWING #:	6105A	
DRAWN BY:	JCB	05.07.07
APPROVED BY:	JCB	06.28.07
REVISIONS:	NJP	06.20.07

TAP REDUCER (ST/WT CONNECTION)

PART #	PIPE SIZE	A	B	OD
0670AN65BS	6 x 4 in (150 x 100 mm)	2.6 in (67 mm)	6.3 in (159 mm)	4.3 in (108 mm)
0870AN65BS	8 x 4 in (200 x 100 mm)	3.2 in (81 mm)	6.5 in (165 mm)	4.3 in (108 mm)
0871AN65BS	8 x 6 in (200 x 150 mm)	3.2 in (81 mm)	6.5 in (165 mm)	6.3 in (159 mm)
1070AN65BS	10 x 4 in (250 x 100 mm)	4.3 in (108 mm)	6.4 in (162 mm)	4.3 in (108 mm)
1071AN65BS	10 x 6 in (250 x 150 mm)	4.3 in (108 mm)	6.4 in (162 mm)	6.3 in (159 mm)
1072AN65BS	10 x 8 in (250 x 200 mm)	4.3 in (108 mm)	6.4 in (163 mm)	8.6 in (219 mm)
1270AN65BS	12 x 4 in (300 x 100 mm)	7.0 in (178 mm)	6.1 in (156 mm)	4.3 in (108 mm)
1271AN65BS	12 x 6 in (300 x 150 mm)	7.0 in (178 mm)	6.1 in (155 mm)	6.3 in (159 mm)
1272AN65BS	12 x 8 in (300 x 200 mm)	7.0 in (178 mm)	6.1 in (155 mm)	8.6 in (218 mm)
1570AN65BS	15 x 4 in (375 x 100 mm)	9.0 in (229 mm)	6.1 in (155 mm)	4.3 in (108 mm)
1571AN65BS	15 x 6 in (375 x 150 mm)	9.0 in (229 mm)	6.1 in (155 mm)	6.3 in (159 mm)
1572AN65BS	15 x 8 in (375 x 200 mm)	9.0 in (229 mm)	6.1 in (155 mm)	8.6 in (218 mm)



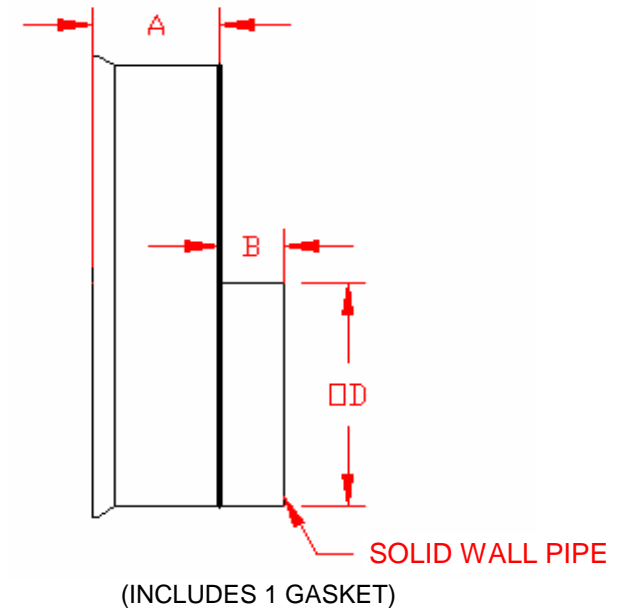
NOTE: ALL FITTINGS DIMENSIONS ARE FOR REFERENCE ONLY



DRAWING #:	6110	
DRAWN BY:	JCB	05.23.07
APPROVED BY:	JCB	06.28.07
REVISIONS:	NJP	06.20.07

TAP REDUCER (ST/WT CONNECTION)

PART #	PIPE SIZE	A	B	OD
1870AN65BS	18 x 4 in (450 x 100 mm)	10.0 in (254 mm)	5.9 in (149 mm)	4.3 in (108 mm)
1871AN65BS	18 x 6 in (450 x 150 mm)	10.0 in (254 mm)	5.9 in (150 mm)	6.3 in (159 mm)
1872AN65BS	18 x 8 in (450 x 200 mm)	10.0 in (254 mm)	5.9 in (150 mm)	8.6 in (218 mm)
2470AN65BS	24 x 4 in (600 x 100 mm)	14.4 in (365 mm)	5.9 in (150 mm)	4.3 in (108 mm)
2471AN65BS	24 x 6 in (600 x 150 mm)	14.4 in (366 mm)	5.9 in (150 mm)	6.3 in (159 mm)
2472AN65BS	24 x 8 in (600 x 200 mm)	14.4 in (366 mm)	5.9 in (150 mm)	8.6 in (218 mm)
3070AN65BS	30 x 4 in (750 x 100 mm)	14.4 in (366 mm)	5.8 in (146 mm)	4.3 in (108 mm)
3071AN65BS	30 x 6 in (750 x 150 mm)	14.4 in (366 mm)	5.8 in (147 mm)	6.3 in (159 mm)
3072AN65BS	30 x 8 in (750 x 200 mm)	14.4 in (366 mm)	5.8 in (147 mm)	8.6 in (218 mm)
3670AN65BS	36 x 4 in (900 x 100 mm)	15.4 in (391 mm)	5.3 in (133 mm)	4.3 in (108 mm)
3671AN65BS	36 x 6 in (900 x 150 mm)	15.4 in (391 mm)	5.3 in (135 mm)	6.3 in (159 mm)
3672AN65BS	36 x 8 in (900 x 200 mm)	15.4 in (391 mm)	5.3 in (135 mm)	8.6 in (218 mm)



NOTE: ALL FITTINGS DIMENSIONS ARE FOR REFERENCE ONLY

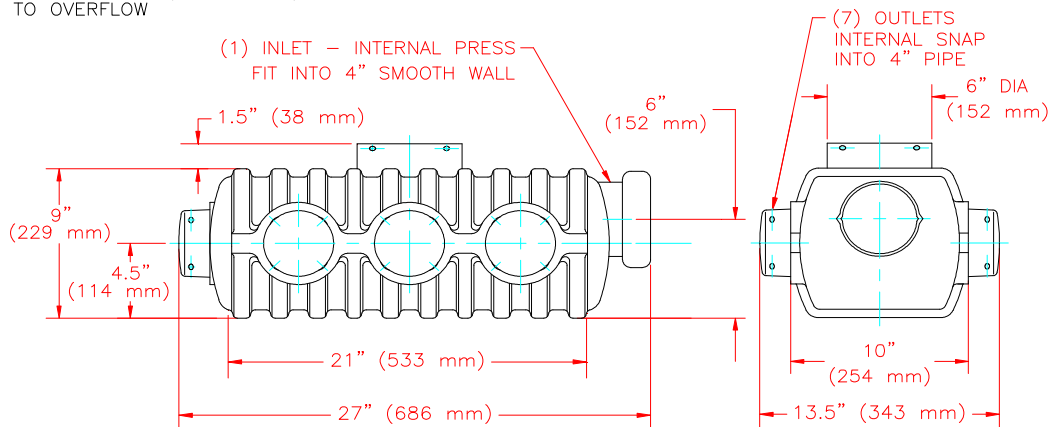


DRAWING #:	6110A	
DRAWN BY:	JCB	05.07.07
APPROVED BY:	JCB	06.28.07
REVISIONS:	NJP	06.20.07

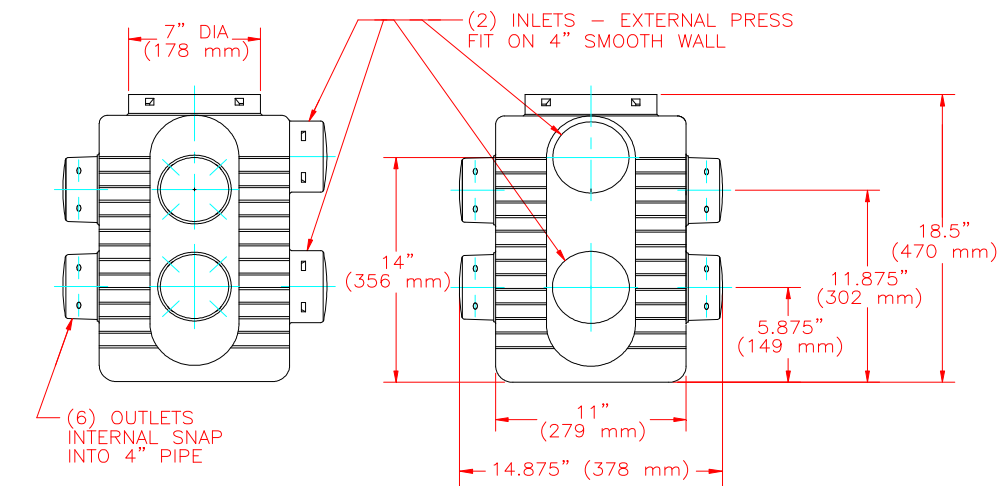
DISTRIBUTION BOXES

PART N^o 1369 (REGULAR)

CAPACITY:
7.25 GALLONS (28.4 LITERS)
TO OVERFLOW



PART N^o 1370 (HILLSIDE)



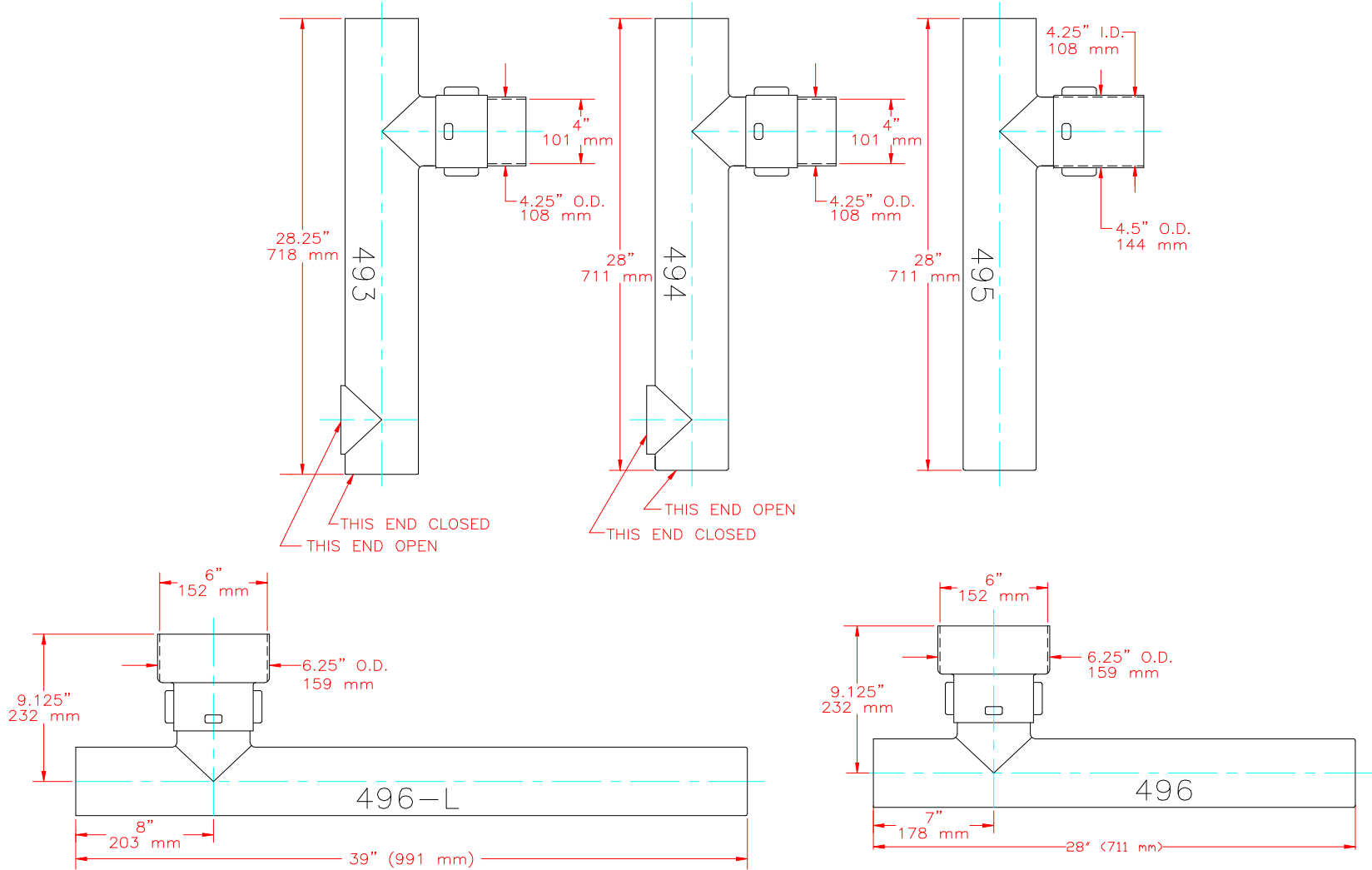
CAPACITY:
8 GALLONS (30.3 LITERS)
TO OVERFLOW

NOTE: ALL FITTINGS DIMENSIONS ARE FOR REFERENCE ONLY




DRAWING #:	6150	
DRAWN BY:	TJR	12.18.07
APPROVED BY:	TJR	12.18.07
REVISIONS:		

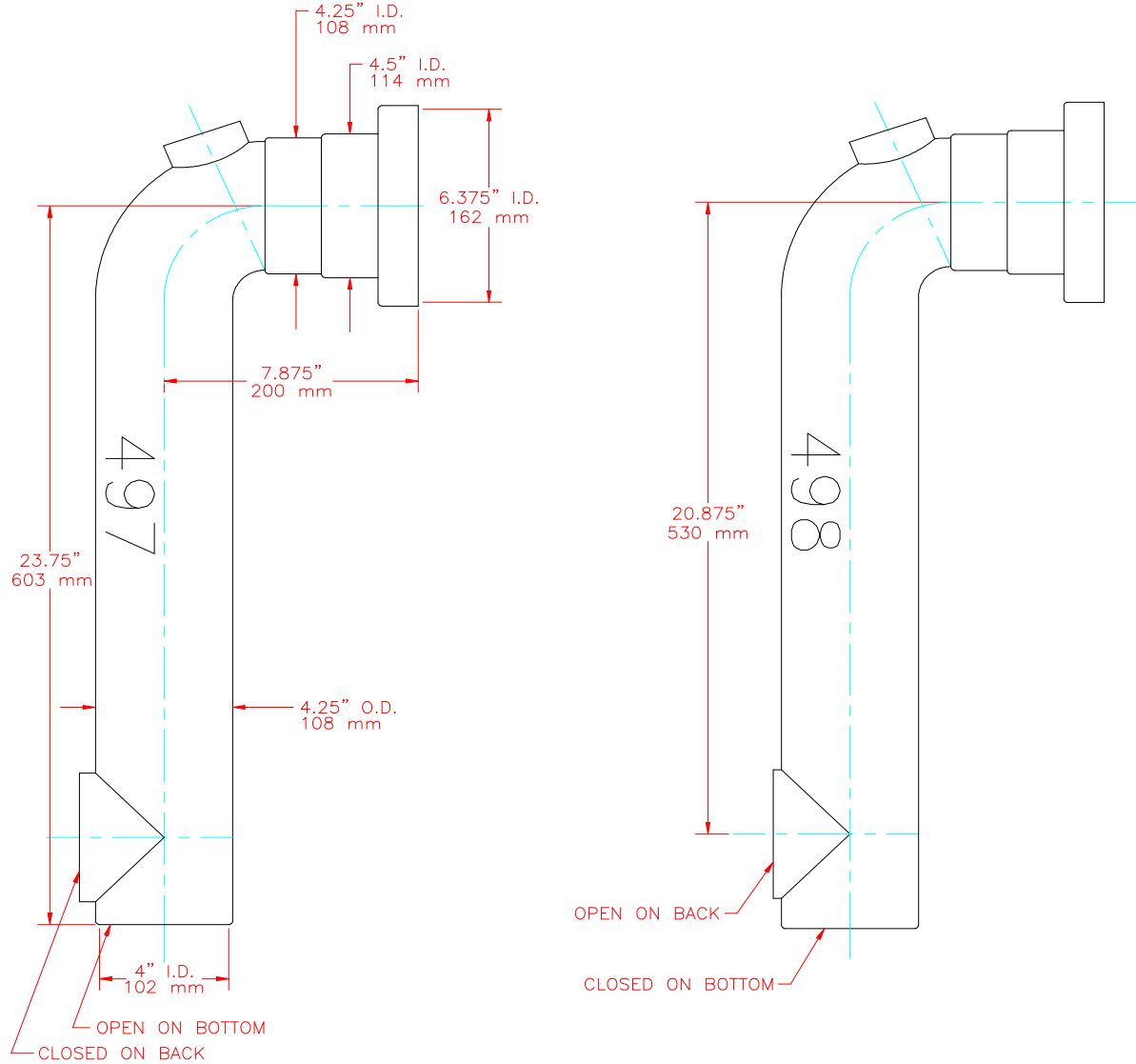
SEPTIC TANK TEES



NOTE: ALL FITTINGS DIMENSIONS ARE FOR REFERENCE ONLY

	DRAWING #:	6200	
	DRAWN BY:	TJR	12.18.07
	APPROVED BY:	TJR	12.18.07
	REVISIONS:		

SEPTIC TANK ELBOWS

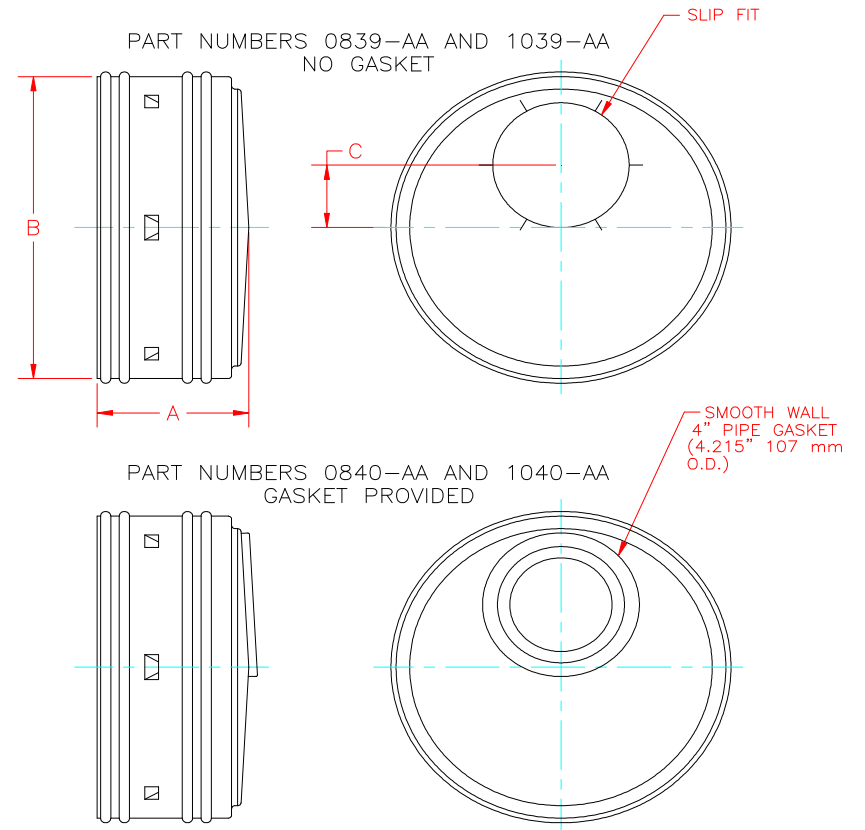


NOTE: ALL FITTINGS DIMENSIONS ARE FOR REFERENCE ONLY


	DRAWING #:	6250	
	DRAWN BY:	TJR	12.18.07
	APPROVED BY:	TJR	12.18.07
	REVISIONS:		

SB2 ADAPTERS

PART #	PIPE SIZE	A	B	OD
0839AA	8 in	4.3 in	9.8 in	1.1 in
0840AA	(200 mm)	(108 mm)	(248 mm)	(29 mm)
1039AA	10 in	5.5 in	12.3 in	2.5 in
1040AA	(250 mm)	(140 mm)	(311 mm)	(64 mm)

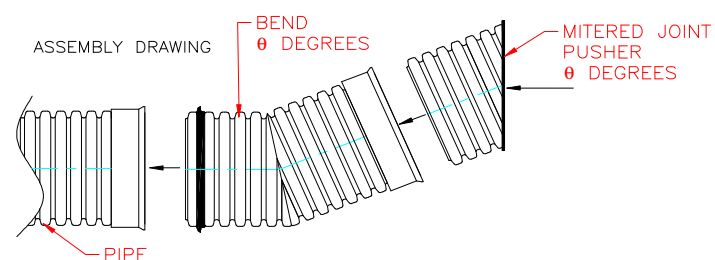
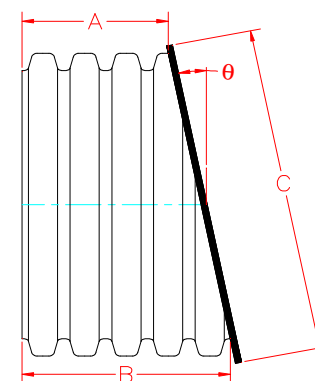


NOTE: ALL FITTINGS DIMENSIONS ARE FOR REFERENCE ONLY

 ADVANCED DRAINAGE SYSTEMS, INC.	DRAWING #:	6300	
	DRAWN BY:	TJR	12.18.07
	APPROVED BY:	TJR	12.18.07
	REVISIONS:		

DUAL WALL MITERED JOINT PUSHER

PART #	PIPE SIZE	A	B	C	θ
2408ANMP03	24" (600 mm)	11.0 in (280 mm)	12.5 in (317 mm)	18.8 in (479 mm)	3
3008ANMP03	30 in (750 mm)	14.4 in (366 mm)	16.3 in (413 mm)	36.2 in (918 mm)	3
3608ANMP03	36 in (900 mm)	18.4 in (466 mm)	20.6 in (522 mm)	42.8 in (1086 mm)	3
2408ANMP05	24" (600 mm)	11.0 in (280 mm)	13.5 in (342 mm)	28.9 in (734 mm)	5
3008ANMP05	30 in (750 mm)	14.4 in (366 mm)	17.5 in (444 mm)	36.2 in (920 mm)	5
3608ANMP05	36 in (900mm)	18.4 in (466 mm)	22.0 in (559 mm)	42.9 in (1089 mm)	5
2408ANMP11	24 in (600 mm)	11.0 in (280 mm)	16.6 in (420 mm)	29.3 in (745 mm)	11.25
3008ANMP11	30 in (750 mm)	14.4 in (366 mm)	21.4 in (544 mm)	36.8 in (934 mm)	11.25
3608ANMP11	36 in (900 mm)	18.4 in (466 mm)	26.7 in (677 mm)	43.5 in (1105 mm)	11.25
2408ANMP22	15 x 4 in (600 mm)	11.0 in (280 mm)	22.5 in (573 mm)	31.1 in (790 mm)	22.5
3008ANMP22	30 in (750 mm)	14.4 in (366 mm)	29.0 in (736 mm)	40.0 in (1016 mm)	22.5
3608ANMP22	36 in (900mm)	18.4 in (466 mm)	35.7 in (906 mm)	46.1 in (1172 mm)	22.5



θ REPRESENTS THE DEGREE OF BEND
ONE IS ASSEMBLING.

NOTE: ALL FITTINGS DIMENSIONS ARE FOR REFERENCE ONLY



DRAWING #:	6350	
DRAWN BY:	TJR	12.18.07
APPROVED BY:	TJR	12.18.07
REVISIONS:		