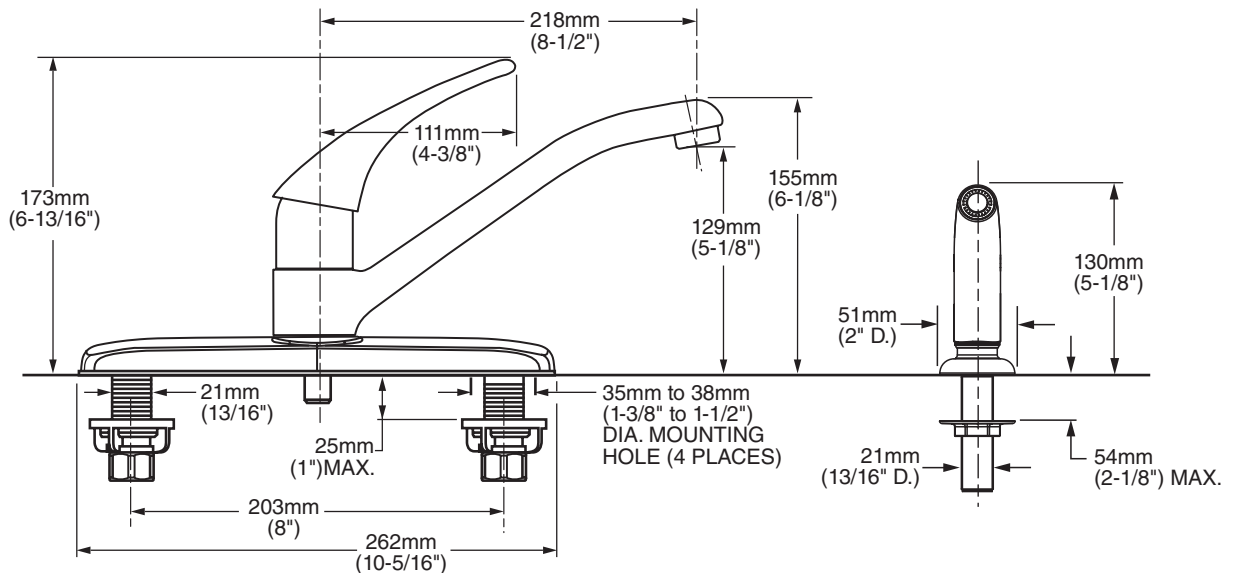


4175.501 Shown

MODEL NUMBER:

- 4175.501 Kitchen Faucet**
Metal Lever Handle. Separate Color-Matched Handspray.
- 4175.501.F15 Kitchen Faucet**
Same as above. 1.5gpm flow rate.
- 4175.503 Kitchen Faucet**
Metal Lever Handle. Color-Matched handspray through escutcheon.
- 4175.503.F15 Kitchen Faucet**
Same as above. 1.5gpm flow rate.
- 4175.500 Kitchen Faucet**
Metal Lever Handle. Less Handspray.
- 4175.500.F15 Kitchen Faucet**
Same as above. 1.5gpm flow rate.



GENERAL DESCRIPTION:

Cast Brass 8-1/2" (218mm) long swivel spout. Metal lever handle. Washerless 40mm ceramic disc valve cartridge. Cast brass waterway with 1/2" male inlet shanks. Metal escutcheon plate (escutcheon size 10-5/16"L x 2-3/8"W). 2.2gpm/8.3L/min. maximum flow rate, 1.5gpm/5.7 L/min. maximum flow rate for F15 models.

PRODUCT FEATURES:

- Ceramic Disc Valve Cartridge:** Assures a lifetime of drip-free performance.
- Cast Brass Waterways with "City Shanks":** Strong and durable. Integral tabs on casting provide a wobble-free installation.
- Lead Free:** Faucet contains ≤ 0.25% total lead content by weighted average.
- Memory Position Valving:** Allows user to turn valve on and off at preferred temperature setting without readjusting handle position each time.
- Large "Comfort Zone":** Allows easy fine tuning of temperature.
- Simple Installation:** Fast and easy one person installation. Faucet drops in from top. Quick spin nuts secure faucet in place.

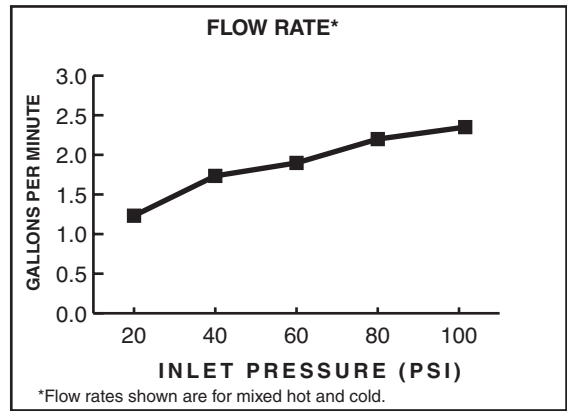
SUGGESTED SPECIFICATION:

Single control kitchen faucet shall feature cast brass waterway. Shall also feature washerless 40mm ceramic disc valve cartridge. Cast brass swivel spout. Fitting shall be American Standard Model # 4175.____.____.

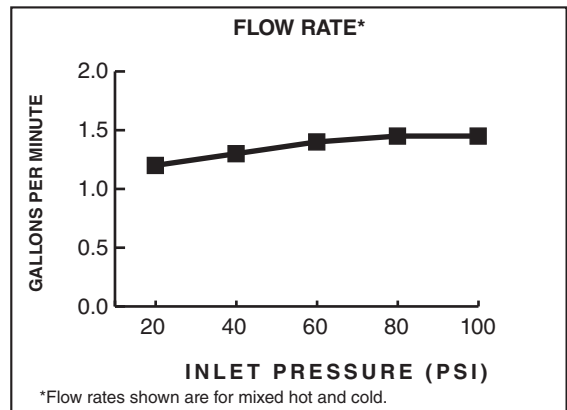
CODES AND STANDARDS

These products meet or exceed the following codes and standards:

- ANSI A117.1**
- ASME A112.18.1**
- CSA B125**
- NSF 61/Section 9 & Annex G**




2.2gpm/8.3L/min. FLOW RATE



1.5gpm/5.7 L/min. FLOW RATE

Product Number	Description	Finish Options	
		Polished Chrome	PVD Stainless Steel
		002	075
4175.501	Kitchen Faucet. Separate Color-Matched Handspray.		
4175.501.F15	Same as above. 1.5gpm/5.7 L/min. flow rate.		
4175.500	Kitchen Faucet. Less Handspray.		
4175.500.F15	Same as above. 1.5gpm/5.7 L/min. flow rate..		
4175.503	Kitchen Faucet. Color-Matched Handspray through escutcheon.		
4175.503.F15	Same as above. 1.5gpm/5.7 L/min. flow rate.		

 Meets the American Disabilities Act Guidelines and **ANSI A117.1** Requirements for the physically challenged.