

"Apollo" Valves

SUBMITTAL SHEET

70-300 Series

Single Union End **Bronze Ball Valve**



Job Name:	
Job Location:	
Engineer:	
Contractor:	
Tag:	
PO Number:	
Representative:	
Wholesale Distributor:	



DESCRIPTION

The Apollo® 70-300 Series is a standard port ball valve that combines pipe union with ball valve shut-off.

FEATURES

- Adjustable Packing Gland
- Blow-Out Proof Stem Design
- RPTFE Seats and Stuffing Box Ring
- Chromium Plated Ball

PERFORMANCE RATING

- Maximum Pressure: 600 psi CWP, 150 psi SWP
- Maximum Temperature: 500°F
- Vacuum Service to 29 in. Hg

APPROVALS

- MSS SP-110
- Federal Specifications: WW-V-35C
- CRN: OC10908.5C

MODELS

- 70-300 Series - Standard
- 70-340 Series - 316 SS Ball & Stem

OPTIONS & SIZES

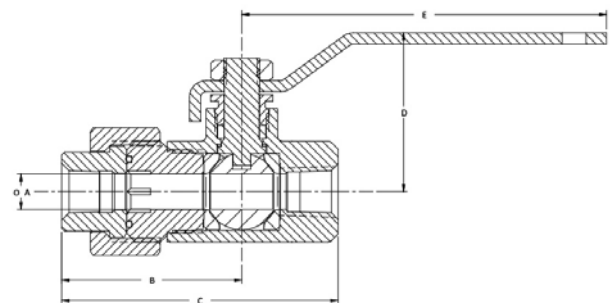
- (-02) Stem Grounded 1/4" - 2"
- (-03) 1 1/4" CS Stem Extension 1/4" - 2"
- (-04) 2 1/4" CS Stem Extension 1/4" - 2"
- (-07) Steel Tee Handle 1/4" - 2"
- (-10) SS Lever & Nut 1/4" - 2"
- (-14) Side Vented Ball (Uni-Directional) 1/4" - 2"
- (-15) Wheel Handle, Steel 1/4" - 2"
- (-17) Rough Chrome Plated 1/4" - 2"
- (-20) Slot Vented Ball 1/4" - 2"
- (-21) UHMWPE Trim (Non-PTFE) 1/4" - 2"
- (-27) SS Latch-Lock Lever & Nut 3/4" - 2"
- (-32) SS Tee Handle & Nut 3/4" - 2"
- (-35) VTFE Trim 3/4" - 2"
- (-45) Less Lever & Nut 3/4" - 2"
- (-48) SS Oval Handle (No Latch) & Nut 3/4" - 2"
- (-50) 2-1/4" CS Locking Stem Extension 3/4" - 2"
- (-56) MPTFE Seats and Packing 3/4" - 2"
- (-57) Oxygen Cleaned 3/4" - 2"
- (-63) NPT x Solder/Socket weld 3/8" - 2"
- (-92) Balancing Stop 1/4" - 2"

STANDARD MATERIALS LIST

Part Name	Material
Lever and Grip	Steel, Zinc Plated w/ Vinyl
Stem Packing / Bearing	RPTFE
Ball	B16 Chrome Plated or B283, C37700
Seat (2)	RPTFE
Retainer	B16 (1/4" to 1-1/2"), B584-C84400 (2")
Gland Nut & Stem	B16
Lever Nut	Steel, Zinc Plated
Body Seal (1-1/4" to 2")	PTFE
Body	B584-C84400
Tailpiece & Nut	B16 or B584-C84400
Union Seal	Fluorocarbon
Stem	B16

DIMENSIONS

Part Number	Size (in.)	Dimensions (in.)					Wt. (lbs.)
		A	B	C	D	E	
70-301-01	1/4"	0.37	1.90	2.93	1.75	3.87	0.86
70-302-01	3/8"	0.37	1.90	2.93	1.75	3.87	0.84
70-303-01	1/2"	0.50	2.00	3.09	1.75	3.87	0.99
70-304-01	3/4"	0.68	2.46	3.96	2.12	4.87	1.91
70-305-01	1"	0.87	2.78	4.46	2.25	4.87	2.42
70-306-01	1-1/4"	1.00	2.68	4.68	2.62	5.50	4.27
70-307-01	1-1/2"	1.25	2.87	5.06	3.05	8.00	5.82
70-308-01	2"	1.50	3.25	5.59	3.24	8.00	8.55



Apollo Valves, Manufactured by **Conbraco Industries, Inc.**
 701 Matthews Mint-Hill Road, Matthews, NC 28105 USA
www.apollovalves.com | (704) 841-6000

This specification is provided for reference only. Conbraco Industries Inc. reserves the right to change any portion of this specification without notice and without incurring obligation to make such changes to Conbraco products previously or subsequently sold. Please visit our website @ www.apollovalves.com for the most current information.

