



76F-100 SERIES

Stainless Steel Full Port Ball Valve

Job Name:	Contractor:
Job Location:	P.O. Number:
Engineer:	Representative:
Tag:	Wholesale Distributor:

DESCRIPTION

The Apollo® 76F Series is designed for the toughest applications. Cast and machined in Apollo's South Carolina manufacturing plants, these valves feature investment cast stainless steel bodies, blowout proof stems, reinforced PTFE seals and a "solid ball" design that delivers true full flow performance.

FEATURES

- Stainless Steel Investment Cast Body
- Stainless Steel Ball and Stem
- Stainless Steel Lever
- Blow-Out-Proof Stem Design
- Adjustable Packing Gland
- RPTFE Seats
- MPTFE Stuffing Box Ring
- Manufactured and 100% Factory Tested in the USA

PERFORMANCE RATING

- Maximum Pressure: 1000 psi CWP
- Maximum Temperature: 500°F
- Steam: 150 SWP Maximum
- Vacuum Service to 29 in. Hg



DIMENSIONS

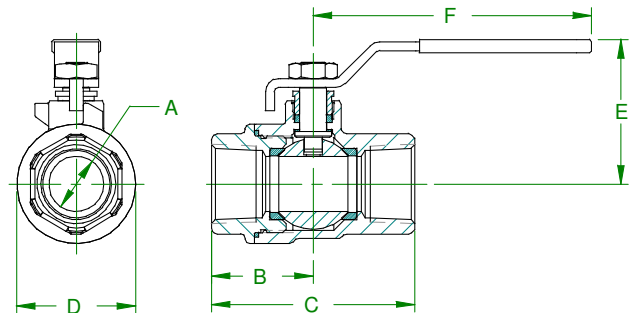
PART #	SIZE	A	B	C	D	E	F	WT
76F10301A	1/2"	0.50	1.21	2.35	1.27	1.73	3.85	0.57
76F10401A	3/4"	0.75	1.39	2.77	1.62	1.96	3.85	0.91
76F10501A	1"	1.00	1.67	3.34	2.00	2.27	4.75	1.38
76F10601A	1-1/4"	1.25	1.96	3.92	2.73	3.21	7.77	4.17
76F10701A	1-1/2"	1.50	2.05	4.10	2.92	3.31	7.77	4.69
76F10801A	2"	2.00	2.37	4.74	3.75	3.69	7.77	6.90

APPROVALS

- MSS SP-110; Ball Valves Threaded, Socket-Welding, Solder Joint, Grooved and Flared Ends

STANDARD MATERIALS LIST

Part Name	Material
Lever and Grip	Stainless Steel w/ Vinyl
Stem Packing	MPTFE
Stem Bearing	RPTFE
Ball	A276-316 Stainless Steel
Seat (2)	RPTFE
Retainer	A351-CF8M
Gland Nut	A276-316 Stainless Steel
Stem	A276-316 Stainless Steel
Lever Nut	Stainless Steel
Body	A351-CF8M
Body Seal	PTFE



OPTIONS

- (-02) Grounded Stem 1/2" - 2"
- (-14) Side Vented Ball 1/2" - 2"
- (-27) SS Latch-Lock Lever & Nut 1/2" - 2"
- (-30) SS Cam-Lock Handle 1/2" - 2"
- (-32) SS Tee Handle & Nut 1/2" - 2"
- (-39) High-Rise SS Locking Wheel Handle 1/2" - 2"
- (-40) SS Cyl-Lock Handle 1/2" - 2"
- (-47) SS Latch-Lock Oval Handle 1/2" - 1"
- (-56) Multi-fill Seats 1/2" - 2"
- (-57) Oxygen Cleaned/Industrial Gases 1/2" - 2"

Conbraco Industries, Inc. 701 Matthews Mint Hill Rd. Matthews NC 28106 USA; www.apollovalves.com ; 704-841-6000

This specification is provided for reference only. Conbraco reserves the right to change any portion of this specification without notice and without incurring obligation to make such changes to Conbraco products previously or subsequently sold.