



RESIDENTIAL GAS REPLACEMENT PARTS LIST
Direct Vent (DS)
Energy Saver Models



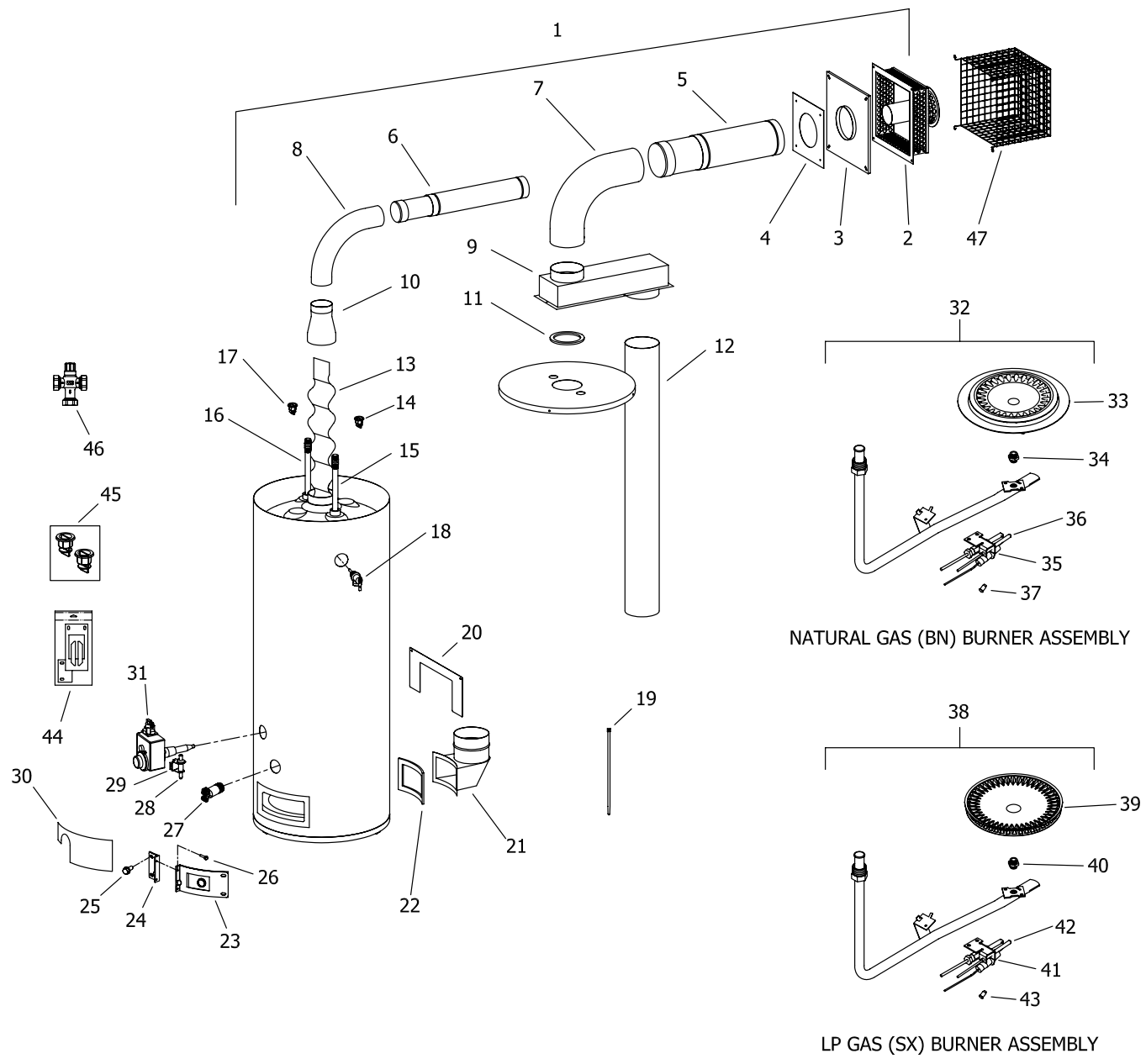
DEFENDER
SAFETY SYSTEM[®]

Includes Hydrojet[®]
Total Performance System

Effective: July, 2008
ECO 7291-2

**NOTE: BOTH MODEL AND SERIAL
NUMBERS ARE REQUIRED FOR
ORDERING REPLACEMENT PARTS**

Dimensions and specifications
subject to change without notice.



LP GAS (SX) BURNER ASSEMBLY TO REPLACE LP GAS (CX) BURNER ASSEMBLY
ON ALL MODELS EXCEPT 75 & 100 GAL. MODELS

Item	Description	Model	Model
		DS140S*F(BN,CX, SX)	DS150S*F(BN,CX, SX)
1	Vent Package	239-41097-00	239-41097-00
2	Direct Vent-Air Intake Terminal	239-41425-00	239-41425-00
3	Outer Wall Mounting Plate	239-41431-00	239-41431-00
4	Backing Plate	239-41433-00	239-41433-00
5	Five inch Diameter Telescopic Air Intake Tube	239-41006-00	239-41006-00
6	Three inch Diameter Telescopic Vent Tube	239-41005-00	239-41005-00
7	Five inch Diameter Elbow	239-41007-00	239-41007-00
8	Three inch Diameter Elbow	239-41008-00	239-41008-00
9	Plenum	239-41010-00	239-41010-00
10	Flue Reducer	239-41009-00	239-41009-00
11	Plenum Gasket	239-41070-01	239-41070-01
12	Air Intake Tube	239-41012-01	239-41012-02
13	Flue Baffle	243-44648-00	243-44648-00
14	Heat Trap Insert (Inlet)	239-45073-00	239-45073-00
15	Cold Water Inlet Dip Tube Polysulfone ▲▲	229-39628-04	229-39628-06
16	Hot Water Outlet Anode Magnesium ▲	224-32731-81	224-32731-82
	Aluminum ▲	224-32999-31	224-32999-06
	A420 Aluminum ▲	224-45147-04	224-45147-03
17	Heat Trap Insert (Outlet)	239-45167-00	239-45167-00
18	T&P Relief Valve	230-40594-01	230-40594-01
19	Wire Tie	239-44328-00	239-44328-00
20	Direct Vent Boot Escutcheon	243-46922-00	243-46922-00
21	Air Intake boot	239-46755-01	239-46755-01
22	Air Intake Boot Gasket	223-41067-00	223-41067-00
23	Right Side Inner Door	239-45642-18	239-45642-18
24	Left Side Inner Door	239-43968-18	239-43968-18
25	Screw-#10-12 x 3/4 HWH	239-44113-00	239-44113-00
26	Screw-#8-18 x 3/4 HWH	239-44195-00	239-44195-00
27	Brass Drain Valve	265-42351-02	265-42351-02
28	Piezo Igniter	239-43448-00	239-43448-00
29	Bracket	239-46157-02	239-46157-02
30	Outer Door	243-43962-00	243-43962-00
31	Combination Gas Control w/E.C.O. NAT.	265-46181-01	265-46181-01
	Combination Gas Control w/E.C.O. L.P.	265-46182-01	265-46182-01

*Applies to all warranties

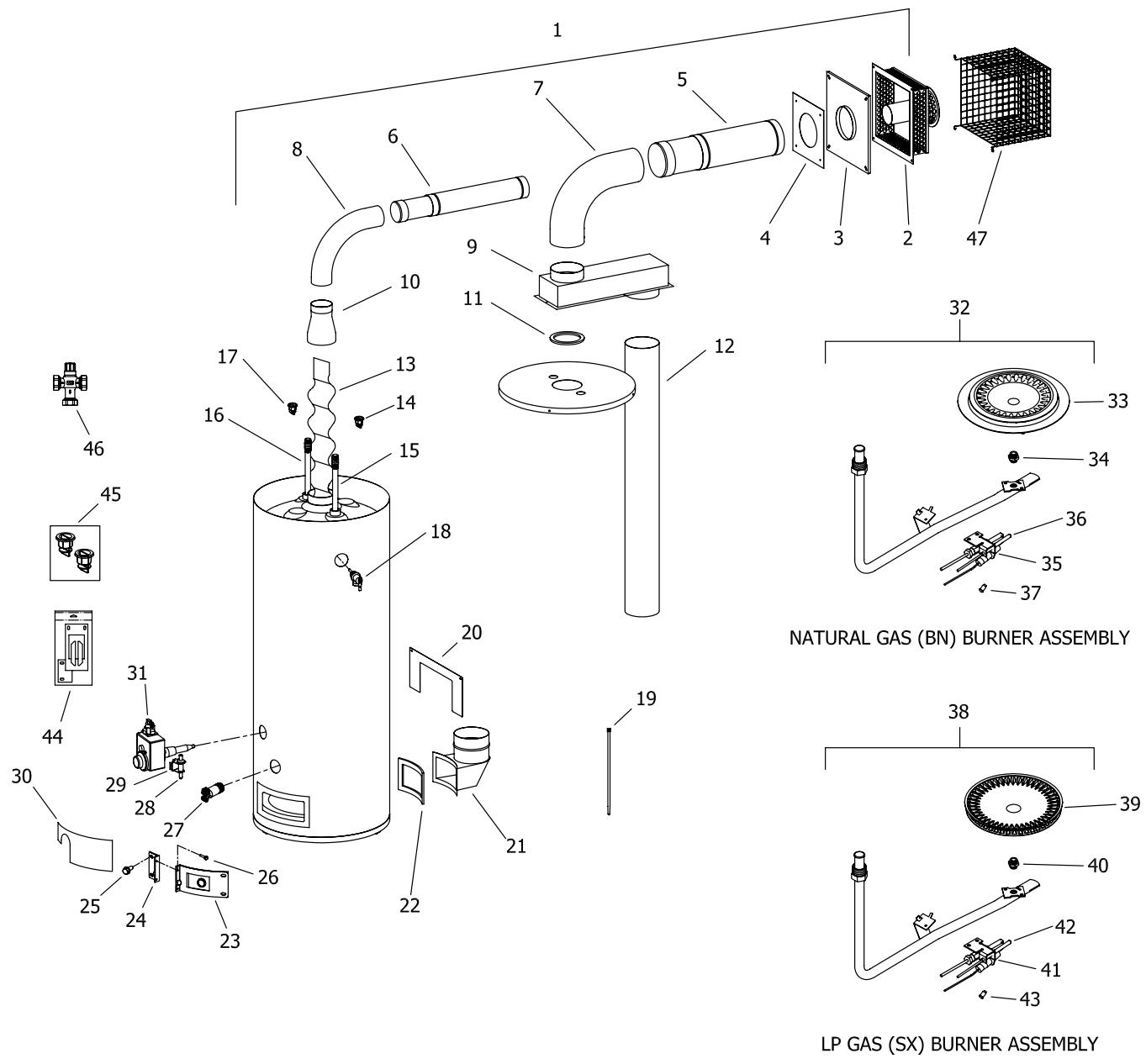
**Inner door gasket kit recommended

***Ordering a complete burner assembly may increase delivery time. Please order the specific component required for the quickest delivery.

▲ Order with item 17

▲▲ Order with item 14





LP GAS (SX) BURNER ASSEMBLY TO REPLACE LP GAS (CX) BURNER ASSEMBLY
ON ALL MODELS EXCEPT 75 & 100 GAL. MODELS



Item	Description	Model	Model
		DS140S*F(BN,CX, SX)	DS150S*F(BN,CX, SX)
Natural Gas BN Burner Assembly			
32	Nat Gas Burner Assembly Complete***	265-43971-03-33	265-43971-03-33
33	Nat. Gas BN Burner**	228-42506-00	228-42506-00
34	Nat. Gas Main Burner Orifice**	234-41034-33	234-41034-32
	Nat. Gas High Altitude 2001 Ft. to 5000 Ft.**	234-41034-36	234-41034-36
	Nat. Gas High Altitude 5001 Ft. to 8000 Ft.**	234-41034-36	234-41034-38
	Nat. Gas High Altitude Over 8000 Ft.**	234-41034-40	234-41034-38
35	Nat. Gas Pilot Assembly**	233-46277-05	233-46277-05
36	Thermocouple**	233-46501-24	233-46501-24
37	Nat. Gas Pilot Orifice**	234-46502-05	234-46502-05
LP Gas SX Burner Assembly		Replacement for LP Gas Cast Iron Burner	
38	LP Gas Burner Assembly Complete***	265-47440-11-50	265-47440-11-49
39	LP Gas SX Burner**	228-46964-00	228-46964-00
40	LP Gas Main Burner Orifice**	234-47604-50	234-47604-49
	LP Gas High Altitude 2001 Ft. to 5000 Ft.**	234-47604-51	234-47064-51
	LP Gas High Altitude 5001 Ft. to 8000 Ft.**	234-47604-52	234-47064-52
	LP Gas High Altitude Over 8000 Ft.**	234-47064-53	234-47064-52
41	LP Gas Pilot Assembly**	233-46278-03	233-46278-03
42	Thermocouple**	233-46501-24	233-46501-24
43	LP Gas Pilot Orifice**	234-46502-02	234-46502-02
44	Inner Door Gasket Kit	239-44078-00	239-44078-00
45	Heat Trap Insert Kit	265-45420-00	265-45420-00
46	ASSE Approved Mixing Valve (Optional)	239-43740-01	239-43740-01
47	Direct Vent-Air Intake Terminal Guard (Optional)	239-41453-00	239-41453-00
-	LP to Natural Gas Conversion Kit (Norm Alt.)	265-45712-31	265-45712-32
-	LP to Natural Gas Conversion Kit (High Alt.)	265-45712-36	265-45712-37

*Applies to all warranties

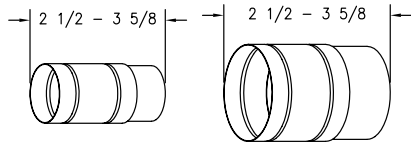
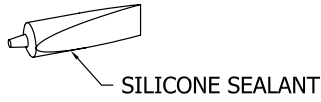
**Inner door gasket kit recommended

***Ordering a complete burner assembly may increase delivery time. Please order the specific component required for the quickest delivery.

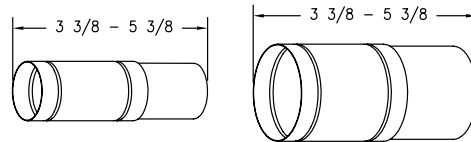
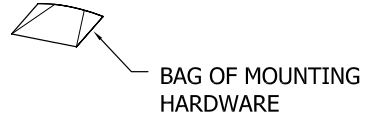
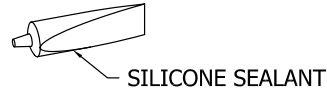
▲ Order with item 17

▲▲ Order with item 14

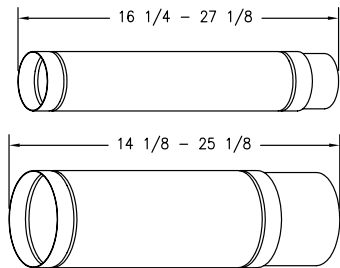
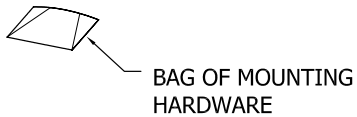




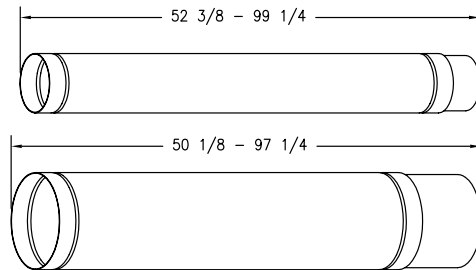
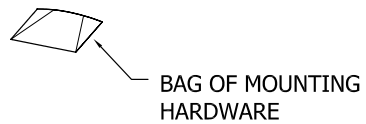
DIRECT VENT-AIR INTAKE KIT A
PART NO. 239-41260-00 (OPTIONAL)



DIRECT VENT-AIR INTAKE KIT B
PART NO. 239-41331-00 (OPTIONAL)



DIRECT VENT-AIR INTAKE KIT C
PART NO. 239-41029-00 (OPTIONAL)
ABOVE TUBE LENGTHS SUPPLIED WITH HEATER



DIRECT VENT-AIR INTAKE KIT D
PART NO. 239-41424-00 (OPTIONAL)

VENT KITS

		Horizontal "X"				
		13 1/4 14 3/16	15 17 11/16	22 1/4 32 3/16	36 55 7/8	58 5/16 104 5/16
Vertical "Y"	10	order kit A 239-41260-00	order kit B 239-41331-00	no add'l kit req'd	order kit C 239-41029-00	order kit D 239-41424-00
	14 3/4 15 11/16	order kit A *(2) 239-41260-00	order kit A & B 239-41260-00 239-41331-00	order kit A 239-41260-00	order kit A & C 239-41260-00 239-41029-00	order kit A & D 239-41260-00 239-41424-00
	16 1/2 19 3/16	order kit A & B 239-41260-00 239-41331-00	order kit B *(2) 239-41331-00	order kit B 239-41331-00	order kit B & C 239-41331-00 239-41029-00	order kit B & D 239-41331-00 239-41424-00
	23 3/4 33 11/16	order kit A 239-41260-00	order kit B 239-41331-00	order kit C 239-41029-00	order kit C *(2) 239-41029-00	order kit D 239-41424-00
	37 1/2 57 3/8	order kit A & C 239-41260-00 239-41029-00	order kit B & C 239-41331-00 239-41029-00	order kit C *(2) 239-41029-00	order kit C *(3) 239-41029-00	order kit C & D 239-41029-00 239-41424-00
	59 13/16 105 13/16	order kit A & D 239-41260-00 239-41424-00	order kit B & D 239-41331-00 239-41424-00	order kit D 239-41424-00	order kit C & D 239-41029-00 239-41424-00	order kit D *(2) 239-41424-00

*(2) = Order two kits

*(3) = Order three kits



BRADFORD WHITE®

W A T E R H E A T E R S

Ambler, PA

For U.S. and Canada field service,
contact your professional installer or
local Bradford White sales representative.

Sales/800-523-2931
Fax/215-641-1670
Parts Fax/215-641-2180

Technical Support/800-334-3393
Fax/269-795-1089

Warranty/800-531-2111
Fax/269-795-1089

International:
Telephone/215-641-9400
Telefax/215-641-9750



BRADFORD WHITE-CANADA® INC.

Mississauga, ON

Sales/866-690-0961
905-238-0100

Fax/905-238-0105

Technical Support/800-334-3393

Email

parts@bradfordwhite.com
techserv@bradfordwhite.com

www.bradfordwhite.com