



RESIDENTIAL GAS REPLACEMENT PARTS LIST

Programmable Efficiency (PE) Models



PE2XR504*F(BN,SX)
PE4403S(BN,SX)
PE440T(BN,SX)
PE4503S(BN,SX)

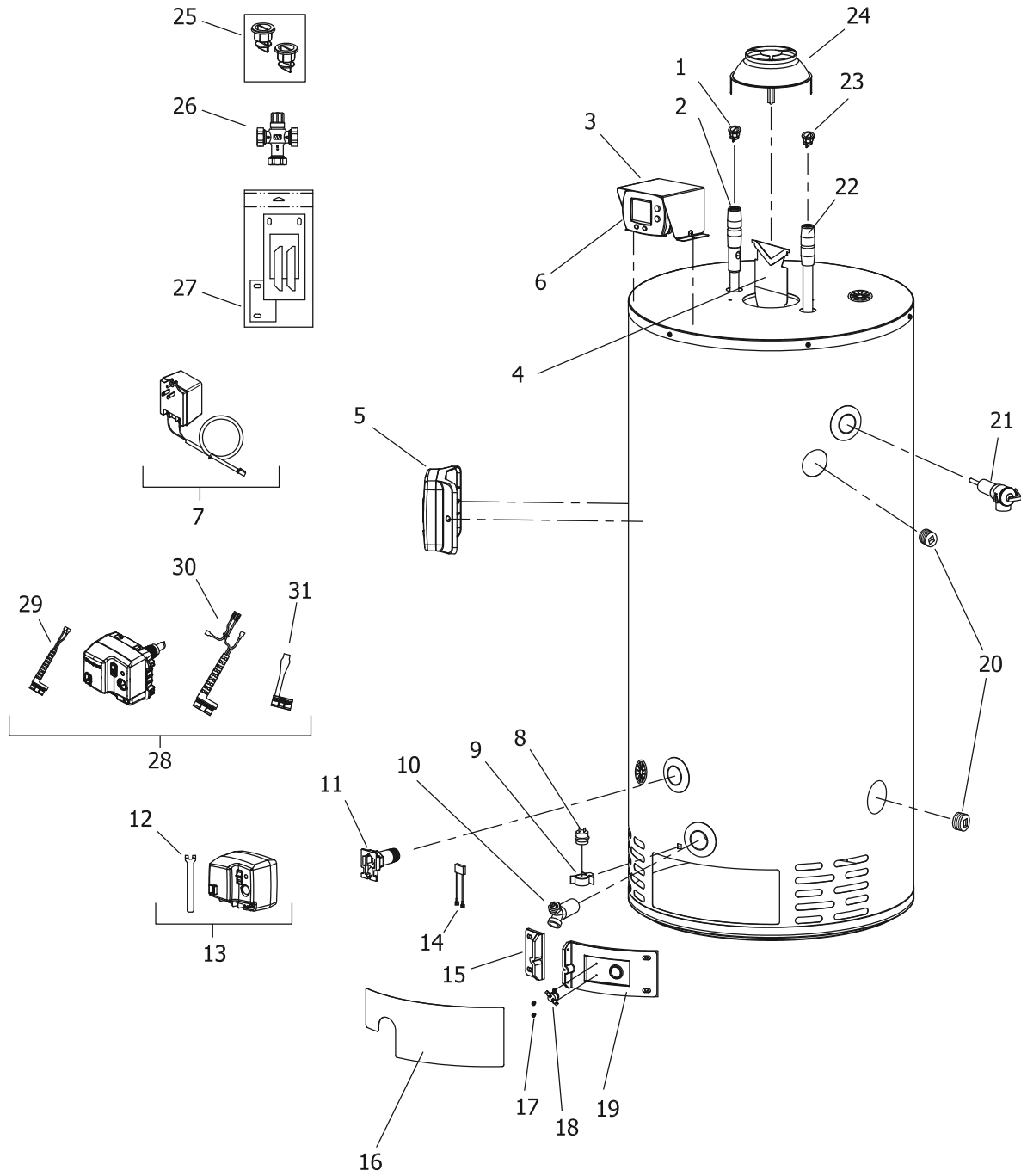
DEFENDER
SAFETY SYSTEM®

Includes Hydrojet®
Total Performance System

Effective: June, 2013
ECO 7858

NOTE: BOTH MODEL AND SERIAL
NUMBERS ARE REQUIRED FOR
ORDERING REPLACEMENT PARTS

Dimensions and specifications
subject to change without notice.



Item	Description	Model PE2XR504T* (BN,SX)	Model PE4403S* (BN,SX)	Model PE440T* (BN,SX)	Model PE4503* (BN,SX)
1	Heat Trap Insert (Outlet)	239-45167-00	239-45167-00	239-45167-00	239-45167-00
2	Hot Water Outlet Anode Magnesium ▲	224-47776-12	224-47776-05	224-47776-17	224-47776-12
	Aluminum ▲	224-32999-21	224-32999-10	224-32999-24	224-32999-21
	A420 Aluminum ▲ #	224-49560-08	224-49560-08	224-49560-08	224-49560-08
3	Setback Junction Box Assembly	239-47649-00	239-47649-00	239-47649-00	239-47649-00
4	Assy-Baffle	243-41037-00	243-45223-00	243-50065-03	243-44705-00
5	Accessory Module	239-47873-00	239-47873-00	239-47873-00	239-47873-00
6	Setback Control Display	239-47640-00	239-47640-00	239-47640-00	239-47640-00
7	Harness-Plug in Transformer	239-48428-00	239-48428-00	239-48428-00	239-48428-00
8	Flammable Vapor Sensor	239-45560-00	239-45560-00	239-45560-00	239-45560-00
9	Flammable Vapor Sensor Clip	239-45648-00	239-45648-00	239-45648-00	239-45648-00
10	Brass Drain Valve	265-42351-02	265-42351-02	265-42351-02	265-42351-02
11	Thermal Well	233-45651-02	233-45651-02	233-45651-02	233-45651-02
12	Gas Control service tool♦	239-45991-00	239-45991-00	239-45991-00	239-45991-00
13	Gas Control (Natural Gas)♦	222-45613-01	222-45613-01	222-45613-01	222-45613-01
	Gas Control (LP Gas)♦	222-45614-01	222-45614-01	222-45614-01	222-45614-01
14	Sensor Harness	239-45620-00	239-45620-00	239-45620-00	239-45620-00
15	Left Side Inner Door	239-43968-18	239-43968-18	239-43968-16	239-43968-18
16	Outer Door	243-43962-00	243-43962-00	243-43962-00	243-43962-00
17	Screw-#8-32 X .50 Semi-Gimlet	239-36860-00	239-36860-00	239-36860-00	239-36860-00
18	Switch-Thermal re-settable	239-43676-00	239-43676-00	239-43676-00	239-43676-00
19	Right Side Inner Door (Sight Glass)	239-43963-07	239-43963-07	239-43963-05	239-43963-07
20	Pipe Plug-3/4" NPT sq. socket	239-11638-00	239-11638-00	239-11638-00	239-11638-00
21	T&P Relief Valve	230-40594-02	230-40594-02	230-40594-02	230-40594-02
22	Cold Water Inlet Dip Tube Polypropylene▲▲	229-39625-18	229-39625-03	229-39625-25	229-39625-22
	Cold Water Inlet Dip Tube Polysulfone▲▲	229-39628-18	229-39628-03	229-39628-28	229-39628-21
23	Heat Trap Insert (Inlet)	239-45073-00	239-45073-00	239-45073-00	239-45073-00
24	Draft Diverter	243-33081-02	243-45787-00	243-45787-00	243-45787-00
25	Kit-Heat trap insert	265-45420-00	265-45420-00	265-45420-00	265-45420-00
26	ASSE Approved Mixing Valve (Optional)	239-43740-01	239-43740-01	239-43740-01	239-43740-01
27	Inner Door Gasket Kit	239-44078-00	239-44078-00	239-44078-00	239-44078-00
28	Gas Valve Natural Gas♦♦	265-48795-02	265-48795-02	265-48795-02	265-48795-02
	Gas Valve LP Gas♦♦	265-48796-02	265-48796-02	265-48796-02	265-48796-02
29	Flammable Vapor Sensor Harness♦♦	239-49791-00	239-49791-00	239-49791-00	239-49791-00
30	FV Sensor and Thermal Switch Harness♦♦	239-50066-00	239-50066-00	239-50066-00	239-50066-00
31	Simulated Resistive Device Harness♦♦	239-49817-00	239-49817-00	239-49817-00	239-49817-00

*Applies to all warranties

**Inner door gasket kit recommended

***Ordering a complete burner assembly may increase delivery time. Please order the specific component required for the quickest delivery.

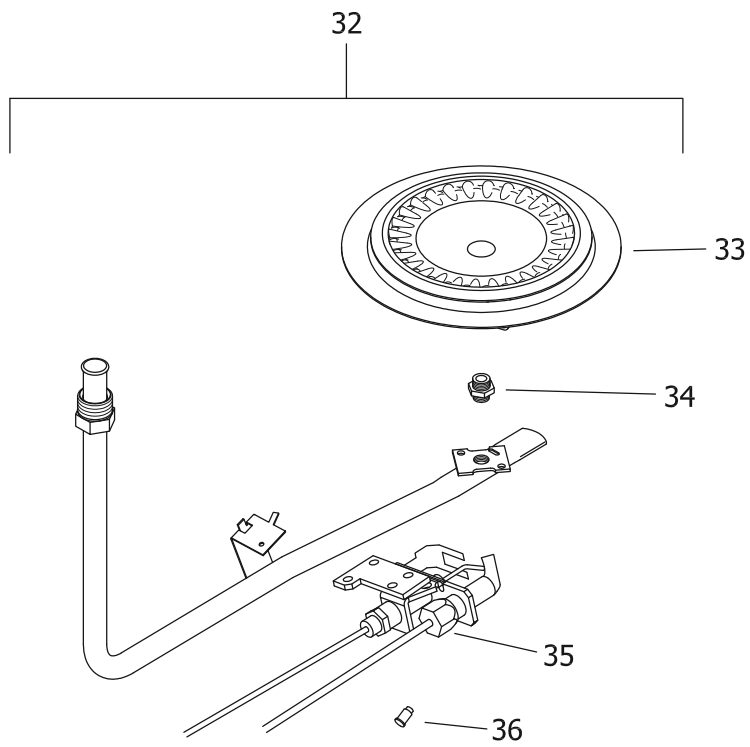
A420 Anode may need to be cut to length

▲ Order with item 1

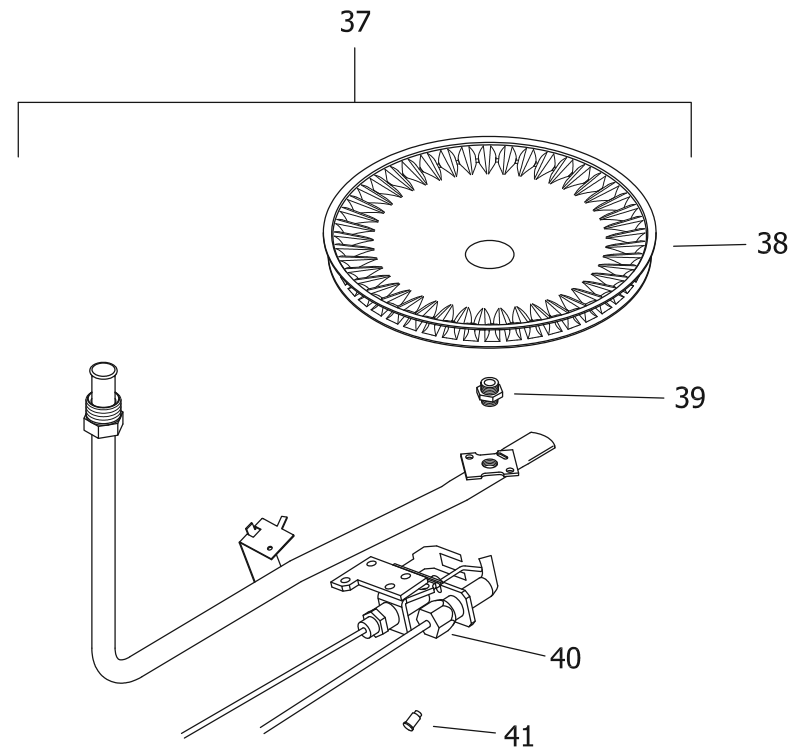
▲▲ Order with item 26

♦ For serial numbers beginning with "JM" or sooner

♦♦ For serial numbers beginning with "KA" or later



NATURAL GAS (BN)
BURNER ASSEMBLY



LP GAS (SX)
BURNER ASSEMBLY

Item	Description	Model PE2XR504T* (BN,SX)	Model PE4403S* (BN,SX)	Model PE440T* (BN,SX)	Model PE4503* (BN,SX)
Natural Gas (BN) Burner Assembly					
32	Nat. Gas (BN) Burner Assembly Complete***	265-47439-06-27	265-47439-06-32	265-47439-06-32	265-47439-06-32
33	Nat. Gas (BN) Burner**	228-42506-00	228-42506-00	228-42506-00	228-42506-00
34	Nat. Gas (BN) Main Burner Orifice**	234-41034-27	234-41034-32	234-41034-32	234-41034-32
	Nat. Gas (BN) High Altitude 2001 Ft. to 5000 Ft.**	234-41034-29	234-41034-36	234-41034-36	234-41034-36
	Nat. Gas (BN) High Altitude 5001 Ft. to 8000 Ft.**	234-41034-30	234-41034-38	234-41034-38	234-41034-38
	Nat. Gas (BN) High Altitude Over 8000 Ft.**	234-41034-31	234-41034-38	234-41034-38	234-41034-38
35	Nat. Gas Pilot Assembly**	233-45653-01	233-45653-01	233-45653-01	233-45653-01
36	Nat. Gas Pilot Orifice**	234-45869-01	234-45869-01	234-45869-01	234-45869-01
LP Gas (SX) Titanium Stabilized Stainless Steel Burner Assembly					
37	LP Gas (SX) Burner Assembly Complete**	265-47440-10-43	265-47440-09-50	---	265-47440-09-51
38	LP Gas (SX) Burner**	228-47000-00	228-46964-00	228-46964-00	228-46964-00
39	LP Gas (SX) Main Burner Orifice**	234-47064-43	234-47064-50	234-47064-52	234-47064-51
	LP Gas (SX) High Altitude 2001 Ft. to 5000 Ft.**	234-47064-46	234-47064-51	234-47064-53	234-47064-52
	LP Gas (SX) High Altitude 5001 Ft. to 8000 Ft.**	234-47064-47	234-47064-52	234-47064-54	234-47064-53
	LP Gas (SX) High Altitude Over 8000 Ft.**	234-47064-47	234-41034-53	234-47064-54	234-47064-54
40	LP Gas Pilot Assembly**	233-45653-03	233-45653-03	233-45653-03	233-45653-03
41	LP Gas Pilot Orifice**	234-45869-02	234-45869-02	234-45869-02	234-45869-02
-	LP to Natural Gas Conversion Kit (Norm Alt.)	265-46493-67	265-46493-68	265-46493-69	265-46493-70
-	LP to Natural Gas Conversion Kit (High Alt.)	265-46493-71	265-46493-72	265-46493-73	265-46493-74

*Applies to all warranties

**Inner door gasket kit recommended

***Ordering a complete burner assembly may increase delivery time. Please order the specific component required for the quickest delivery.

A420 Anode may need to be cut to length

▲ Order with item 1

▲▲ Order with item 26



BRADFORD WHITE®

W A T E R H E A T E R S

Ambler, PA

For U.S. and Canada field service,
contact your professional installer or
local Bradford White sales representative.

Sales/800-523-2931
Fax/215-641-1670
Parts Fax/215-641-2180

Technical Support/800-334-3393
Fax/269-795-1089

Warranty/800-531-2111
Fax/269-795-1089

International:
Telephone/215-641-9400
Telefax/215-641-9750



BRADFORD WHITE-CANADA® INC.

Mississauga, ON

Sales/866-690-0961
905-238-0100

Fax/905-238-0105

Technical Support/800-334-3393

Email

parts@bradfordwhite.com
techserv@bradfordwhite.com

www.bradfordwhite.com