



**RESIDENTIAL AND LIGHT COMMERCIAL GAS
REPLACEMENT PARTS LIST**

**Non-Defender Energy Saver
M(I,1,2)(XR)75 Gallon
Light Duty Energy Saver
(Serial # FD11847877 and after)**



Includes Hydrojet®
Total Performance System

***Effective: May 01, 2009
ECO 7383***

**NOTE: BOTH MODEL AND SERIAL
NUMBERS ARE REQUIRED FOR
ORDERING REPLACEMENT PARTS**

Dimensions and specifications
subject to change without notice.

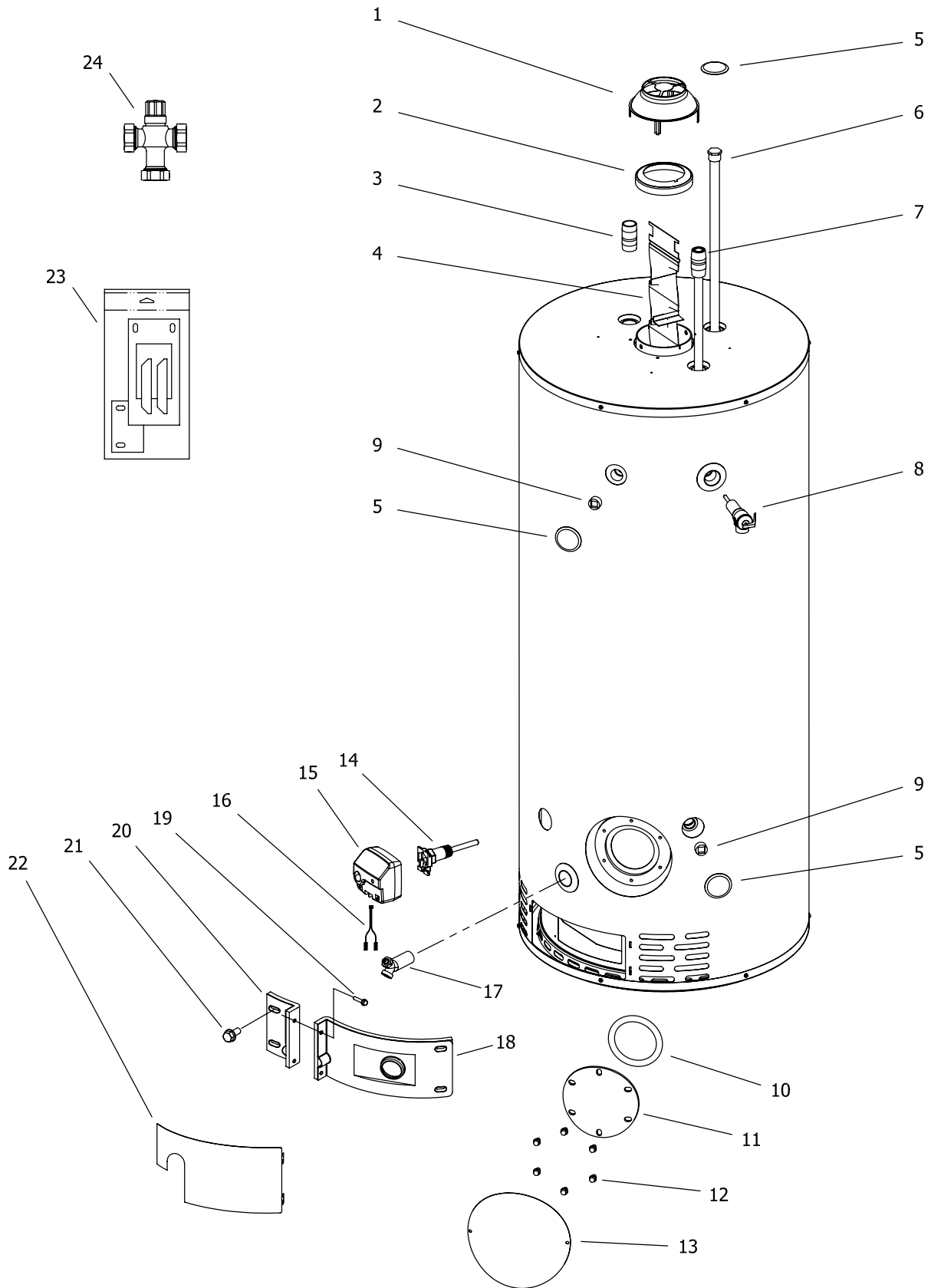
(M-2-XR75S6BN Model Shown)

Parts Book #238-47479-00A

1- Locate and identify your part within the illustration

2- In the following pages, find the column for your model number and the corresponding part number

3- If highlighted in yellow you can click the part number and order.
If not highlighted enter the number in the site search box or use the contact us form



Item	Description	Model	Model	Model
		75T80(B,S)*(N,X)	M2XR75S*(BN,SX)	MI75S*(BN,SX)
1	Draft Diverter	239-12950-00	239-12950-00	239-12950-00
2	Flue Reducer	243-36920-00	243-36920-00	243-36920-00
3	Hot Water Outlet	229-32762-18	229-32762-18	229-32762-18
4	Flue Baffle	243-47379-00	243-47379-00	243-47379-00
5	Hole Closure	239-31547-02	239-31547-02	239-31547-02
6	Hex Head Anode Magnesium	224-47782-07	224-47782-07	224-47782-07
	Hex Head Anode Aluminum (Optional)	224-38508-01	224-28508-01	224-38508-01
7	Cold Water Inlet Diptube Polypropylene	229-47056-01	229-47056-01	229-47056-01
	Cold Water Inlet Diptube Polysulfone (NC Code)	229-47040-01	229-47040-01	229-47040-01
8	T&P Relief Valve	230-40594-03	230-40594-03	230-40594-01
9	3/4" NPT Plug	239-11638-00	239-11638-00	239-11638-00
10	Cleanout O-Ring Gasket	205-18427-00	---	---
11	Cleanout Cover	205-18428-00	---	---
12	Cleanout Cover Screw (Qty. 6)	239-82166-00	---	---
13	Cleanout Access Cover	243-20299-00	---	---
14	Thermowell	233-45651-02	233-45651-02	233-45651-01
15	ICON Gas Control Direct Replacement Natural Gas	239-48275-07	239-48275-05	239-48275-01
	ICON Gas Control Direct Replacement LP Gas	239-48275-08	239-48275-06	239-48275-02
16	Intermediate Harness	239-46995-00	239-46995-00	239-46995-00
17	Brass Drain Valve	227-42351-02	227-42351-02	227-42351-01
18	Right Side Inner Door (with Gasket)	239-47504-22	239-47504-22	239-47504-22
19	Screw-#8-18 x 3/4 HWH	239-44195-00	239-44195-00	239-44195-00
20	Left Side Inner Door (with Gasket)	239-43968-20	239-43968-20	239-43968-20
21	Screw-#10-12 x 3/4 HWH	239-44113-00	239-44113-00	239-44113-00
22	Outer Door	243-43962-00	243-43962-00	243-43962-00
23	Kit-Inner Door Gasket	239-47792-00	239-47792-00	239-47792-00
24	ASSE Approved Mixing Device (optional)	239-43740-01	239-43740-01	239-43740-01

*All warranties

**Ordering a complete burner assy may increase delivery time.

Please order the specific component req'd for the quickest delivery

▲ Inner door gasket kit recommended.

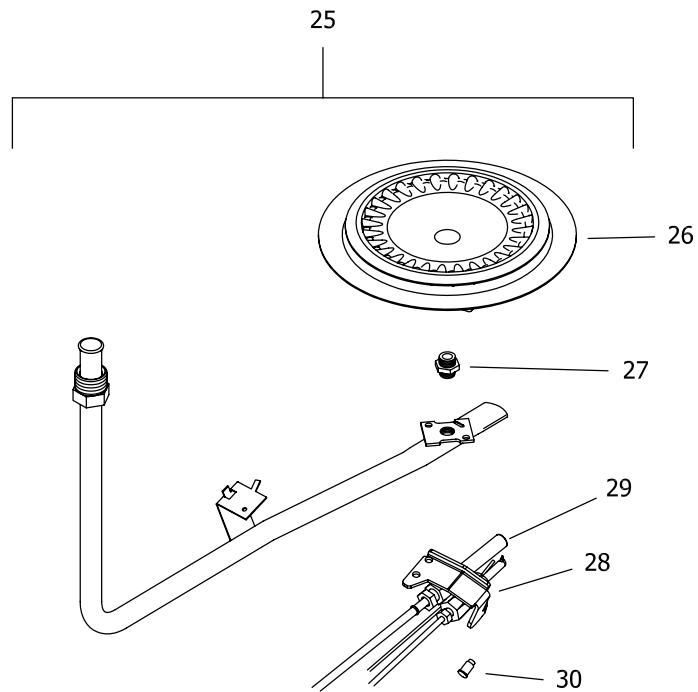
† Serial # prior to FM12732764.

‡ Serial # after FM12732764.

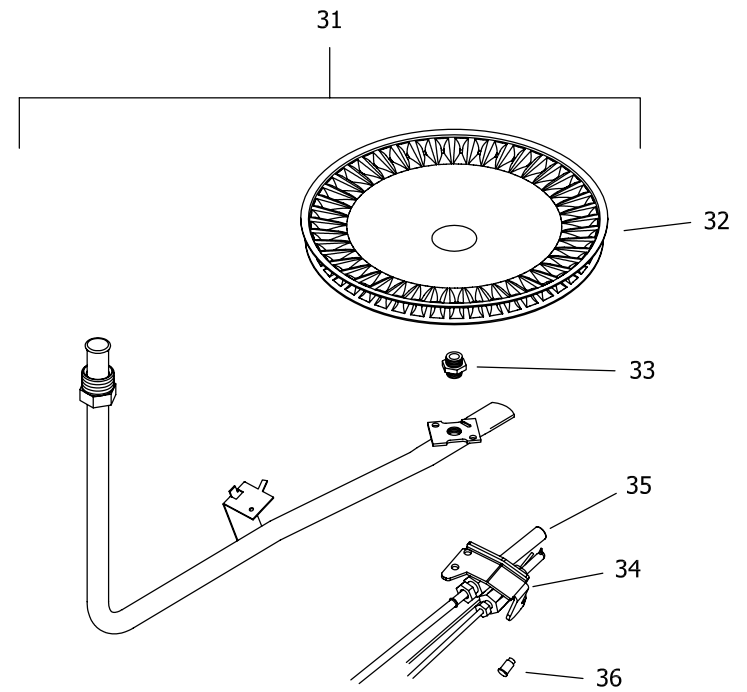
1- Locate and identify your part within the illustration

2- In the following pages, find the column for your model number and the corresponding part number

3- If highlighted in yellow you can click the part number and order. If not highlighted enter the number in the site search box or use the contact us form



NATURAL GAS (BN) BURNER ASSEMBLY



LP GAS (SX) BURNER ASSEMBLY

Item	Description	Model 75T80(B,S)*(N,X)	Model M2XR75S*(BN,SX)	Model MI75S*(BN,SX)
Natural Gas BN Burner Assembly				
25	Nat. Gas Burner Assembly Complete** †	265-47427-02-22	265-47427-02-22	265-47427-01-22
	Nat. Gas Burner Assembly Complete** ‡	265-48110-05-22	265-48110-05-22	265-48110-04-22
26	Nat. Gas Burner	228-47000-00	228-47000-00	228-47000-00
27	Nat. Gas Main Burner Orifice (0ft to 2000ft)	234-41034-22	234-41034-22	234-41034-22
	Nat. Gas High Altitude (2001ft to 5000ft)	234-41034-26	234-41034-26	234-41034-26
	Nat. Gas High Altitude (5001ft to 8000ft)	234-41034-26	234-41034-26	234-41034-26
	Nat. Gas High Altitude (8001ft & above)	234-41034-30	234-41034-30	234-41034-30
28	Nat. Gas Pilot Assembly Kit †	239-47492-01	239-47492-01	239-47492-01
	Nat. Gas Pilot Assembly ‡ ▲	233-48077-03	233-48077-03	233-48077-03
29	Kit-Thermopile	239-47446-00	239-47446-00	239-47446-00
30	Nat. Gas Pilot Orifice (Honeywell)	234-47098-01	234-47098-01	234-47098-01
LP Gas SX Burner Assembly				
31	LP Gas Burner Assembly Complete** †	265-47428-02-38	265-47428-02-38	265-47428-01-38
	LP Gas Burner Assembly Complete** ‡	265-48254-02-38	265-48254-02-38	265-48254-01-38
32	LP Gas SX Burner	228-46938-00	228-46938-00	228-46938-00
33	LP Gas Main Burner Orifice (0ft to 2000ft)	234-47064-38	234-47064-38	234-47064-38
	LP Gas High Altitude (2001ft to 5000ft)	234-47064-42	234-47064-42	234-47064-42
	LP Gas High Altitude (5001ft to 8000ft)	234-47064-43	234-47064-43	234-47064-43
	LP Gas High Altitude (8001ft & above)	234-47064-43	234-47064-43	234-47064-43
34	LP Gas Pilot Assembly Kit †	239-47492-02	239-47492-02	239-47492-02
	LP Gas Pilot Assembly ‡ ▲	233-48078-03	233-48078-03	233-48078-03
35	Kit-Thermopile	239-47446-00	239-47446-00	239-47446-00
36	LP Gas Pilot Orifice	234-47098-02	234-47098-02	234-47098-02
-	Kit-LP to NAT conversion (0ft to 2000 ft) †	265-47452-12	265-47452-16	265-47452-11
-	Kit-LP to NAT conversion (2000ft to 5000ft) †	265-47452-14	265-47452-15	265-47452-13
-	Kit-LP to NAT conversion (0ft to 2000ft) ‡	265-47452-25	265-47452-23	265-47452-21
-	Kit-LP to NAT conversion (2000ft to 5000ft) ‡	265-47452-26	265-47452-24	265-47452-22

*All warranties

**Ordering a complete burner assy may increase delivery time.

Please order the specific component req'd for the quickest delivery

▲ Inner door gasket kit recommended.

† Serial # prior to FM12732764.

‡ Serial # after FM12732764.