

For Residential and Commercial Applications

| | | | |
|----------------|--|----------------------|--|
| Job Name | | Engineer / Architect | |
| Job Location | | Wholesaler | |
| Submittal Date | | Contractor | |

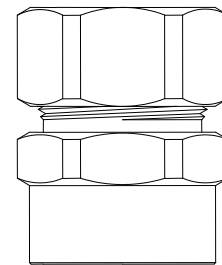
66 Series Compression x Female Iron Pipe Reducing Adapter

Use: For use with instrumentation, hydraulic and pneumatic systems. Designed for use with aluminum, copper and plastic tubing. Not intended for use with steel tubing

* Plastic tubing requires a plastic insert and sleeve (see 60PT & 63PT submittal forms for details).

Design Features:

- **Little to no tube preparation.** Compression fittings do not require flaring, soldering or other types of tube preparation
- **Available in a broad range of sizes**
- **Compliant fitting options** available for California and Vermont “low-lead” requirements.



Operating Specifications:

- Temperature:** -65° - 250°F at maximum operating pressures
Working Pressure: See chart below
Vibration: Fair vibration resistance

| WORKING PRESSURE | | |
|------------------|-----------|--------------------|
| PSI | Tube O.D. | Tube Wall (Inches) |
| 400 | 1/8 | 0.030 |
| 400 | 3/16 | 0.030 |
| 300 | 1/4 | 0.030 |
| 300 | 5/16 | 0.032 |
| 200 | 3/8 | 0.032 |
| 200 | 1/2 | 0.032 |
| 150 | 5/8 | 0.035 |
| 100 | 3/4 | 0.035 |
| 75 | 7/8 | 0.035 |

Standard Fitting

| MATERIAL SPECIFICATIONS | |
|---------------------------|-----------------------|
| Fitting Body | C36000 brass |
| Compression Sleeve | C36000 brass |
| Compression Nut | C36000 brass |
| Option | Chrome plating |

Compliant Fitting

| MATERIAL SPECIFICATIONS | |
|---------------------------|------------------------|
| Fitting Body | Compliant brass |
| Compression Sleeve | C36000 brass |
| Compression Nut | C36000 brass |

Standard Part Listing:

- 66-3-2 3/16" OD Tube x 1/8" F.I.P.
- 66-3-2 B 3/16" OD Tube x 1/8" F.I.P., bulk
- 66-3-2-1 B 3/16" OD Tube x 1/8" F.I.P. - body only, bulk

This specification and all information contained herein is the confidential and exclusive property of BrassCraft Manufacturing, and shall not be disclosed to others without the written consent of BrassCraft. This specification must be returned to BrassCraft if requested.



66 Series Compression x Female Iron Pipe Reducing Adapter

Standard Part Listing (con't):

| | | |
|--------------------------|--------------|---|
| <input type="checkbox"/> | 66-3-4 | 3/16" OD Tube x 1/4" F.I.P., bulk |
| <input type="checkbox"/> | 66-3-4-1 B | 3/16" OD Tube x 1/4" F.I.P.- body only, bulk |
| <input type="checkbox"/> | 66-4-2 | 1/4" OD Tube x 1/8" F.I.P. |
| <input type="checkbox"/> | 66-4-2 B | 1/4" OD Tube x 1/8" F.I.P., bulk |
| <input type="checkbox"/> | 66-4-2-1 B | 1/4" OD Tube x 1/8" F.I.P. - body only, bulk |
| <input type="checkbox"/> | 66-4-6 | 1/4" OD Tube x 3/8" F.I.P. |
| <input type="checkbox"/> | 66-4-6 B | 1/4" OD Tube x 3/8" F.I.P., bulk |
| <input type="checkbox"/> | 66-4-6-1 B | 1/4" OD Tube x 3/8" F.I.P. - body only, bulk |
| <input type="checkbox"/> | 66-4-8 | 1/4" OD Tube x 1/2" F.I.P. |
| <input type="checkbox"/> | 66-4-8 B | 1/4" OD Tube x 1/2" F.I.P., bulk |
| <input type="checkbox"/> | 66-4-8-1 B | 1/4" OD Tube x 1/2" F.I.P. - body only, bulk |
| <input type="checkbox"/> | 66-5-4 | 5/16" OD Tube x 1/4" F.I.P. |
| <input type="checkbox"/> | 66-5-4 B | 5/16" OD Tube x 1/4" F.I.P., bulk |
| <input type="checkbox"/> | 66-5-4-1 B | 5/16" OD Tube x 1/4" F.I.P. - body only, bulk |
| <input type="checkbox"/> | 66-5-6 | 5/16" OD Tube x 3/8" F.I.P. |
| <input type="checkbox"/> | 66-5-6-1 B | 5/16" OD Tube x 3/8" F.I.P. - body only, bulk |
| <input type="checkbox"/> | 66-6-2 | 3/8" OD Tube x 1/8" F.I.P. |
| <input type="checkbox"/> | 66-6-2 B | 3/8" OD Tube x 1/8" F.I.P., bulk |
| <input type="checkbox"/> | 66-6-2-1 B | 3/8" OD Tube x 1/8" F.I.P. - body only, bulk |
| <input type="checkbox"/> | 66-6-4 | 3/8" OD Tube x 1/4" F.I.P. |
| <input type="checkbox"/> | 66-6-4 B | 3/8" OD Tube x 1/4" F.I.P., bulk |
| <input type="checkbox"/> | 66-6-4-1 B | 3/8" OD Tube x 1/4" F.I.P. - body only, bulk |
| <input type="checkbox"/> | 66-6-8 | 3/8" OD Tube x 1/2" F.I.P. |
| <input type="checkbox"/> | 66-6-8 B | 3/8" OD Tube x 1/2" F.I.P., bulk |
| <input type="checkbox"/> | 66-6-8 C | 3/8" OD Tube x 1/2" F.I.P., chrome plated |
| <input type="checkbox"/> | 66-6-8 CB | 3/8" OD Tube x 1/2" F.I.P., chrome plated, bulk |
| <input type="checkbox"/> | 66-6-8-1 B | 3/8" OD Tube x 1/2" F.I.P. - body only, bulk |
| <input type="checkbox"/> | 66-6-12 | 3/8" OD Tube x 3/4" F.I.P. |
| <input type="checkbox"/> | 66-6-12-1 B | 3/8" OD Tube x 3/4" F.I.P. - body only, bulk |
| <input type="checkbox"/> | 66-8-4 | 1/2" OD Tube x 1/4" F.I.P. |
| <input type="checkbox"/> | 66-8-6 | 1/2" OD Tube x 3/8" F.I.P. |
| <input type="checkbox"/> | 66-8-6 B | 1/2" OD Tube x 3/8" F.I.P., bulk |
| <input type="checkbox"/> | 66-8-6-1 B | 1/2" OD Tube x 3/8" F.I.P. - body only, bulk |
| <input type="checkbox"/> | 66-8-12 | 1/2" OD Tube x 3/4" F.I.P. |
| <input type="checkbox"/> | 66-8-12-1 B | 1/2" OD Tube x 3/4" F.I.P. - body only, bulk |
| <input type="checkbox"/> | 66-10-6 | 5/8" OD Tube x 3/8" F.I.P. |
| <input type="checkbox"/> | 66-10-6 B | 5/8" OD Tube x 3/8" F.I.P., bulk |
| <input type="checkbox"/> | 66-10-6-1 B | 5/8" OD Tube x 3/8" F.I.P. - body only, bulk |
| <input type="checkbox"/> | 66-10-8 | 5/8" OD Tube x 1/2" F.I.P. |
| <input type="checkbox"/> | 66-10-8 B | 5/8" OD Tube x 1/2" F.I.P., bulk |
| <input type="checkbox"/> | 66-10-8-1 B | 5/8" OD Tube x 1/2" F.I.P. - body only, bulk |
| <input type="checkbox"/> | 66-10-12 | 5/8" OD Tube x 3/4" F.I.P. |
| <input type="checkbox"/> | 66-10-12 B | 5/8" OD Tube x 3/4" F.I.P., bulk |
| <input type="checkbox"/> | 66-10-12-1 B | 5/8" OD Tube x 3/4" F.I.P. - body only, bulk |

This specification and all information contained herein is the confidential and exclusive property of BrassCraft Manufacturing, and shall not be disclosed to others without the written consent of BrassCraft. This specification must be returned to BrassCraft if requested.

BrassCraft[®]

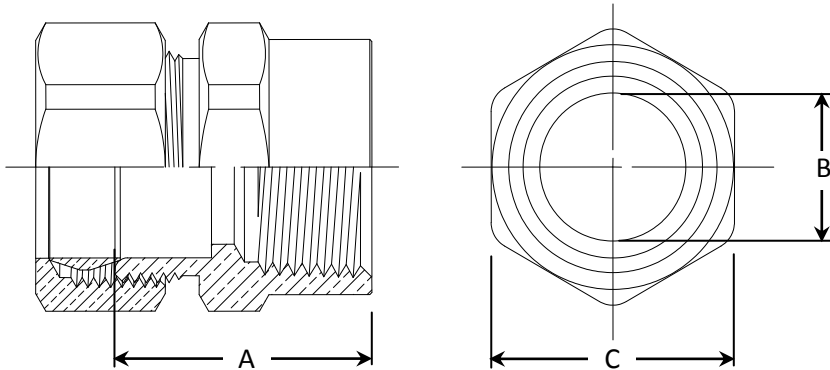
66 Series Compression x Female Iron Pipe Reducing Adapter

Standard Part Listing (con't):

- 66-12-8 3/4" OD Tube x 1/2" F.I.P.
- 66-12-8-1 B 3/4" OD Tube x 1/2" F.I.P. - body only, bulk
- 66-14-8 7/8" OD Tube x 1/2" F.I.P.
- 66-14-12 7/8" OD Tube x 3/4" F.I.P.
- 66-14-12-1 B 7/8" OD Tube x 3/4" F.I.P. - body only, bulk

Compliant Part Listing:

- 66-6-2X 3/8" OD Tube x 1/8" F.I.P.
- 66-6-2-1X B 3/8" OD Tube x 1/8" F.I.P. - body only, bulk
- 66-6-8X 3/8" OD Tube x 1/2" F.I.P.
- 66-6-8X B 3/8" OD Tube x 1/2" F.I.P., bulk
- 66-6-8-1X B 3/8" OD Tube x 1/2" F.I.P. - body only, bulk
- 66-10-8X 5/8" OD Tube x 1/2" F.I.P.
- 66-10-8-1X B 5/8" OD Tube x 1/2" F.I.P. - body only, bulk



| PART DIMENSIONS (Inches) | | | |
|--------------------------|--------|--------|--------|
| Model | DIM. A | DIA. B | DIM. C |
| 66-3-4 | 0.96 | 0.125 | 11/16 |
| 66-4-2 | 0.87 | 0.187 | 1/2 |
| 66-4-6 | 1.03 | 0.187 | 3/4 |
| 66-4-8 | 1.20 | 0.19 | 1 |
| 66-5-4 | 0.92 | 0.25 | 5/8 |
| 66-5-6 | 0.99 | 0.312 | 13/16 |
| 66-6-2 | 0.89 | 0.316 | 9/16 |
| 66-6-4 | 0.88 | 0.343 | 11/16 |
| 66-6-8 | 1.00 | 0.343 | 7/8 |
| 66-6-12 | 1.187 | 0.312 | 1-5/32 |

| PART DIMENSIONS (Inches) | | | |
|--------------------------|--------|--------|--------|
| Model | DIM. A | DIA. B | DIM. C |
| 66-8-4 | 1.08 | 0.41 | 11/16 |
| 66-8-6 | 0.91 | 0.406 | 3/4 |
| 66-8-12 | 1.25 | 0.406 | 1-5/32 |
| 66-10-6 | 1.06 | 0.50 | 13/16 |
| 66-10-8 | 1.11 | 0.531 | 1 |
| 66-10-12 | 1.56 | 0.50 | 1-1/4 |
| 66-12-8 | 1.25 | 0.562 | 1-1/16 |
| 66-14-8 | 1.25 | 0.75 | 1-1/4 |
| 66-14-12 | 1.25 | 0.75 | 1-1/4 |

Listings & Certifications:

- Compliant product CSA approved to California Health & Safety Code 116875 and Vermont Bill S.152 (Project # 2174785)



This specification and all information contained herein is the confidential and exclusive property of BrassCraft Manufacturing, and shall not be disclosed to others without the written consent of BrassCraft. This specification must be returned to BrassCraft if requested.

BrassCraft®