

For Residential and Commercial Applications

Job Name		Engineer / Architect	
Job Location		Wholesaler	
Submittal Date		Contractor	

B1-**A/ B2-**A/ B3-**A Speedi Plumb® PLUS Braided Faucet Connector - Compression Inlet

Use: For use in potable water distribution systems in accessible locations only

Design Features:

- **Engineered polymer braided** fibers bend freely without kinking or crimping
- **Reinforced PVC inner hose** provides added durability under the harshest water conditions
- **Rubber washers** provide a large pliable sealing surface and ensure a long lasting, water-tight connection
- **8-sided pneumatic crimp** provides greater dependability for a reliable nut-to-hose connection
- **No Lead**

Operating Specifications:

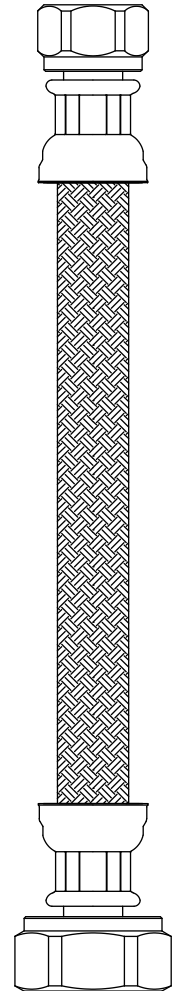
Temperature: 40°- 140° F, intermittent to 180° F

Pressure: 125 PSI maximum

Tubing Diameter: 0.300" ID (0.550" OD)



**Except where noted



MATERIAL SPECIFICATIONS

Inner Hose	Reinforced PVC
Braiding	PVC coated polyester yarn
Barb	Brass
Ferrule	Steel, zinc plated
Nut	Brass, chrome plated or polypropylene
Washer	Rubber
Compression Nut	Brass, chrome plated

Part Listing:

- B1-12A F 3/8" compression x 1/2" FIP* x 12" length
- B1-16A F 3/8" compression x 1/2" FIP* x 16" length
- B1-20A F 3/8" compression x 1/2" FIP* x 20" length
- B1-20AU D 3/8" compression x 1/2" FIP* x 20" length connector with 1/2" OD compression & 1/2" iron pipe valve adaptors, and washers, carded
- B1-20H F*** 3/8" compression x 1/2" FIP* plastic nut x 20" length
- B1-24A F 3/8" compression x 1/2" FIP* x 24" length, assembled in Mexico
- B1-30A F ** 3/8" compression x 1/2" FIP* x 30" length, assembled in Mexico
- B1-36A F** 3/8" compression x 1/2" FIP* x 36" length, assembled in Mexico

This specification and all information contained herein is the confidential and exclusive property of BrassCraft Manufacturing, and shall not be disclosed to others without the written consent of BrassCraft Mfg. This specification must be returned to BrassCraft Mfg. if requested.



B1-**A/ B2-**A/ B3-**A Speedi Plumb® PLUS Braided Faucet Connector - Compression Inlet

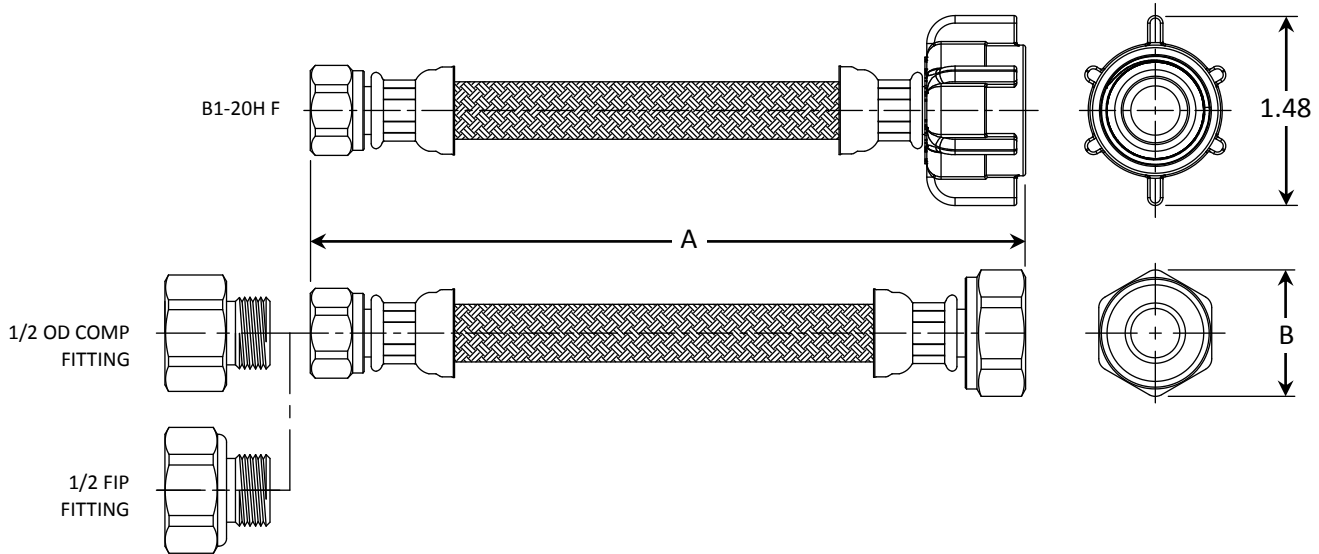
Part Listing (con't):

- B1-48A F 3/8" compression x 1/2" FIP* x 48" length
- B1-60A F 3/8" compression x 1/2" FIP* x 60" length
- B1-72A F 3/8" compression x 1/2" FIP* x 72" length
- B1-96A F 3/8" compression x 1/2" FIP* x 96" length
- B2-12A F 7/16" compression x 1/2" FIP* x 12" length
- B2-20A F** 7/16" compression x 1/2" FIP* x 20" length, assembled in Mexico
- B3-12A F 1/2" compression x 1/2" FIP* x 12" length
- B3-16A F 1/2" compression x 1/2" FIP* x 16" length
- B3-20A F 1/2" compression x 1/2" FIP* x 20" length
- B3-30A F** 1/2" compression x 1/2" FIP* x 30" length, assembled in Mexico

* 1/2" FIP also fits 7/16" rubber slip nut

** DMA N/A

*** Long wing nuts allow for quick connection and ensure dependable thread engagement



PART DIMENSIONS (Inches)		
Model	DIM. A	DIM. B
B1-12	12.0 / 13.0	.98
B1-16	16.0 / 17.0	.98
B1-20	20.0 / 21.0	.98
B1-30	30.0 / 31.0	.98
B1-36	36.0 / 37.0	.98
B1-48	48.0 / 49.0	.98

PART DIMENSIONS (Inches)		
Model	DIM. A	DIM. B
B1-60	60.0 / 61.0	.98
B1-72	72.0 / 73.0	.98
B1-96	96.0 / 97.0	.98
B2-12	12.0 / 13.0	.98
B2-16	16.0 / 17.0	.98
B2-20	20.0 / 21.0	.98

PART DIMENSIONS (Inches)		
Model	DIM. A	DIM. B
B3-12	12.0 / 13.0	.98
B3-16	16.0 / 17.0	.98
B3-20	20.0 / 21.0	.98
B3-30	30.0 / 31.0	.98
B3-36	36.0 / 37.0	.98

Listings & Certifications:

- IAPMO listed to ASME A112.18.6 and CSA B125.6 (File # 0452)
- CSA listed to ASME A112.18.6 and CSA B125.6 (File #204593)
- No-lead product CSA listed to NSF 372 (Class 6853-01)



This specification and all information contained herein is the confidential and exclusive property of BrassCraft Manufacturing, and shall not be disclosed to others without the written consent of BrassCraft Mfg. This specification must be returned to BrassCraft Mfg. if requested.

BrassCraft®