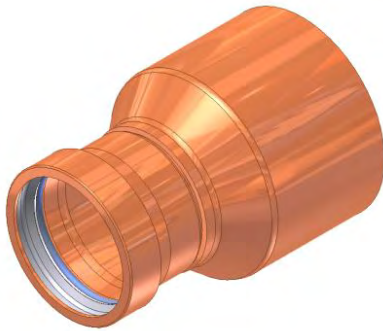


818 Large Diameter

APOLLOPRESS® Press End Copper Reducer
FTGxC (3"x2-1/2" through 4"x3")

SUBMITTAL SHEET

"Apollo" Flow Controls



Job Name:	
Job Location:	
Engineer:	
Contractor:	
Tag:	
PO#:	
Rep:	
Wholesale Dist.:	

DESCRIPTION

The APOLLOPRESS® 818 Large Diameter Press Reducer features a lead free dezincification resistant copper body, a patented stainless-steel solid cross-section grab ring, a nylon separation ring and an EPDM o-ring. APOLLOPRESS® products are manufactured utilizing proven ASTM materials and standards. Proudly made in the USA.

FEATURES

- Lead Free Construction
- Leak Before Press® Technology
- Visual Element, Break Away Band (Pat# 9.532.451)
- Ridgid® XLC Press Tool Compatible
- Made in USA

PERFORMANCE RATING

- Maximum Pressure: 300 psi
- Temperature Range: 32°F to 250°F depending on application

APOLLOPRESS®

- Large Diameter Sizes 3"x2-1/2", 4"x2-1/2", 4"x3"
- Model 818, Fitting Reducer

STANDARD MATERIALS LIST

Body	UNS C12200 Copper
Grab Ring	316/304 Stainless Steel
Spacer Ring	Nylon 66
O-Ring	EPDM
Lubrication	Silicone, ANSI/NSF-61 Listed

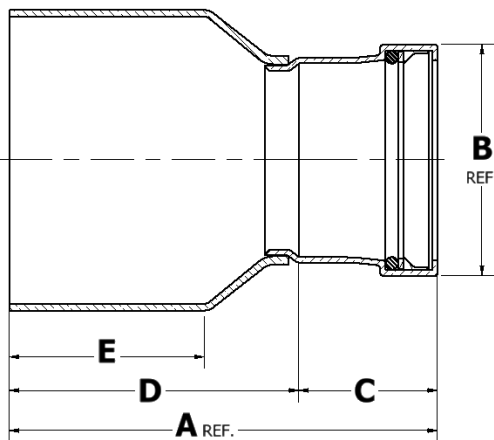
APPROVALS

- UPC, cUPC & IPC
- IAPMO PS 117-2016 & TIL MSE-13
- NSF/ANSI 61 - Water Quality
- NSF/ANSI 372 - Lead Free

APOLLOPRESS® connectors are designed for direct mechanical connection to ASTM B88-Type K, L, and M copper tubing in the hard drawn condition. Press connectors are not suitable for steam or flammable gas service.

DIMENSIONS

ITEM NO.	SIZE (IN.)	DIMENSIONS (IN.)								WEIGHT (LB.)
		A	B	C	D	E	HEIGHT	WIDTH	DEPTH	
10057500	3x2-1/2	5.09	3.16	1.90	3.19	2.51	3.12	5.09	3.12	1.6
10057503	4x2-1/2	5.87	3.16	1.90	3.97	2.67	4.12	6.02	4.12	2.55
10057506	4x3	5.9	3.68	2.10	3.81	2.65	4.12	5.90	4.12	2.77



*LEAD FREE: The wetted surfaces of this product shall contain no more than 0.25% lead by weighted average. Complies with Federal Public Law III-380. ANSI 3rd party approved and listed.

Customer Service (704) 841-6000
www.apolloflowcontrols.com

This specification is provided for reference only. Conbraco Industries Inc. reserves the right to change any portion of this specification without notice and without incurring obligation to make such changes to Conbraco products previously or subsequently sold. Please visit apolloflowcontrols.com for the most current information.

