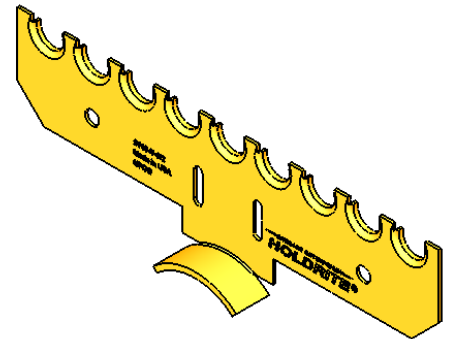
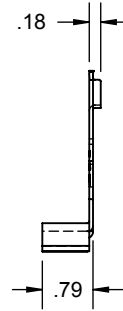
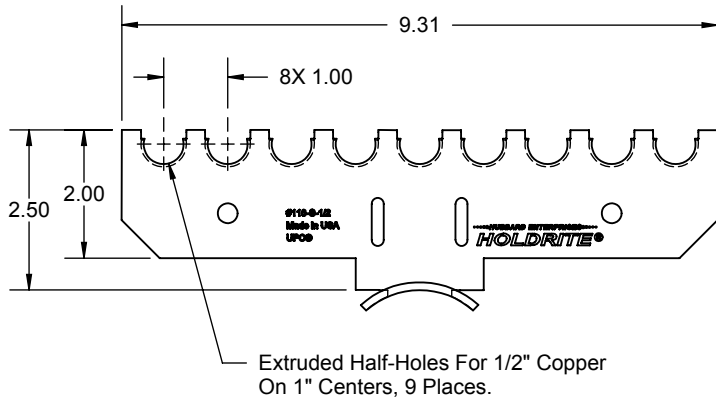


PRODUCT SPECIFICATION DRAWING HOLDRITE® #110-S-1/2

Supports copper water lines for lavs
or sinks off of the vent or trap arm



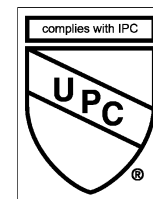
4" Stainless Steel Band

ALL DIMENSIONS IN INCHES

The HOLDRITE #110-S-1/2 is Copper-Bonded™ and available with 1/2" notches on 1" centers. This bracket mounts directly to a horizontal or vertical pipe, and is designed to position water supplies for lavatories, and other fixtures. Packaged with a self-locking 4" stainless steel band and self-adhesive isolation felt; solder the pipes directly to the #110-S to set 4", 6" and 8" centers. Heat the pipe, not the bracket.

Product Information:

- Material: 16 gage CRS, Copper-Bonded™
- Load rating: 25 pounds
- UPC / IPC / IAPMO listed



THIS INFORMATION IS PROPRIETARY TO HUBBARD ENTERPRISES AND IS SUBJECT TO CHANGE WITHOUT NOTICE. ANY REPRODUCTION IN PART OR WHOLE WITHOUT THE WRITTEN PERMISSION OF HUBBARD ENTERPRISES IS PROHIBITED.

••••HUBBARD ENTERPRISES••••
HOLDRITE®
"Converting Makeshift Methods into Engineered Solutions"

Product Submittal	
Job Name:	
Date:	
Part Number:	Qty:
Architect / Owner:	
Contractor:	
Notes:	