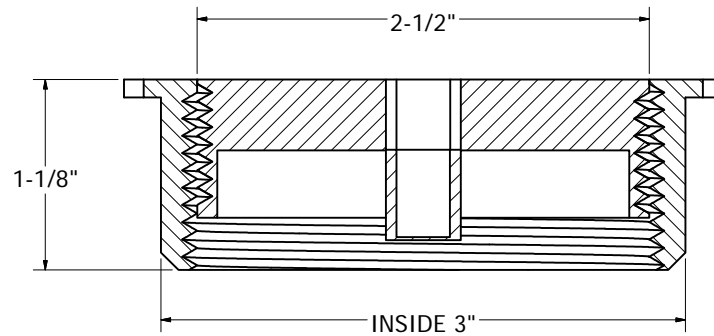
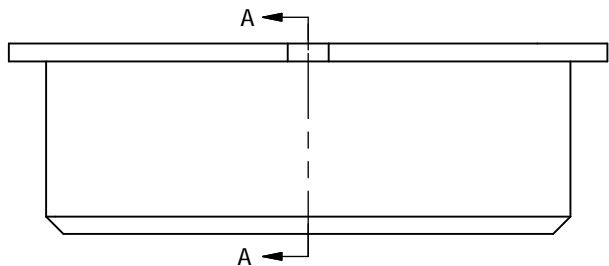
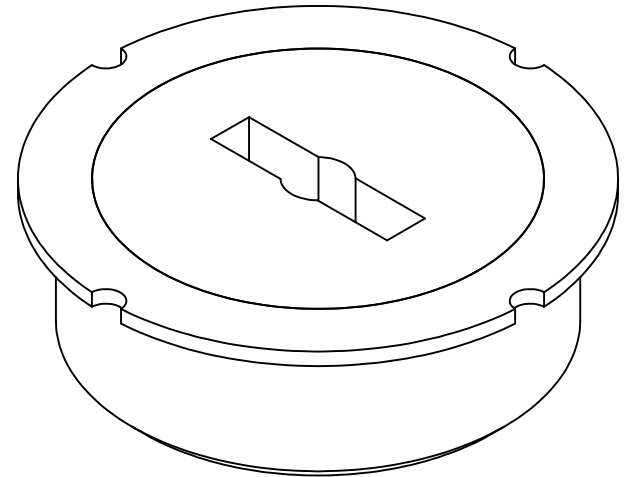
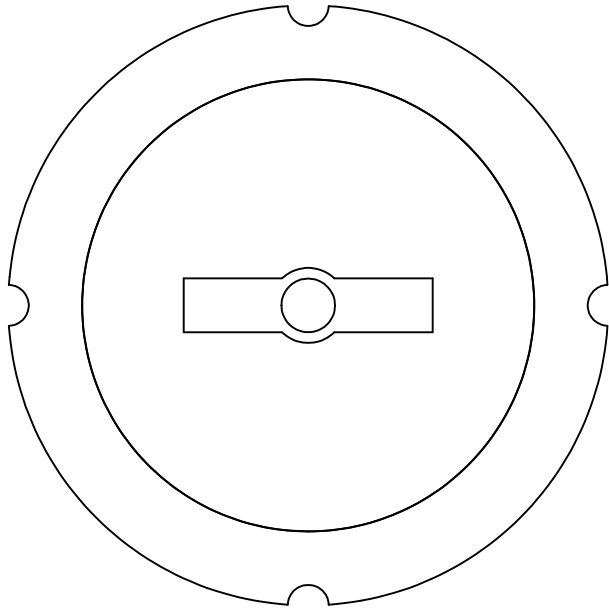


INTERNAL PIPE CLEANOUT SLOVENT WELDS INTO SCHEDULE 40 DWV PIPE



SECTION A-A
SCALE 1.8

MADE IN THE
USA



PHONE NUMBER 1-800-355-6637	PART NO.	C60007	C60011				
FAX NUMBER 1-800-462-6991	PIPE SIZE	3"	3"				
SCALE 1.8 : 1	DATE 1-18-11	PLUG SIZE	2-1/2" IPS	2-1/2" IPS			
SHEET 1 OF 1	OD	2-13/16"	2-13/16"				
DRAWN BY ASHLEY KRALOVEC	MATERIAL	PVC	ABS				