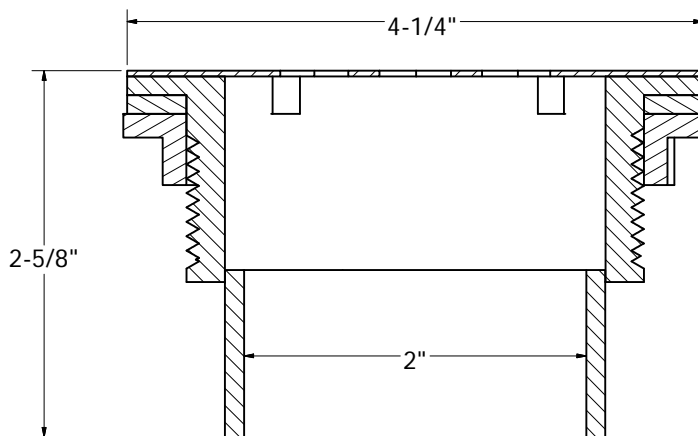
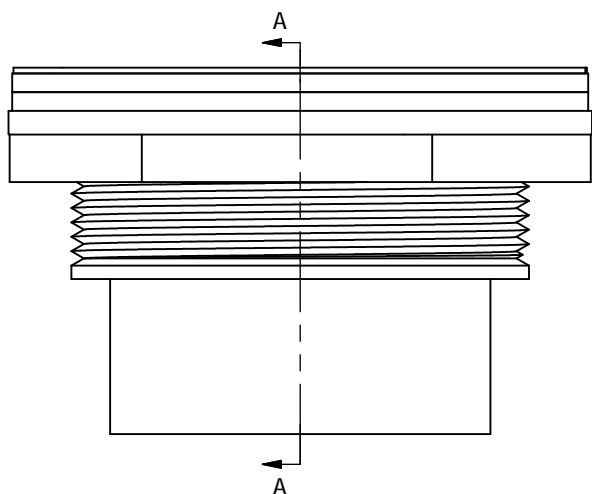
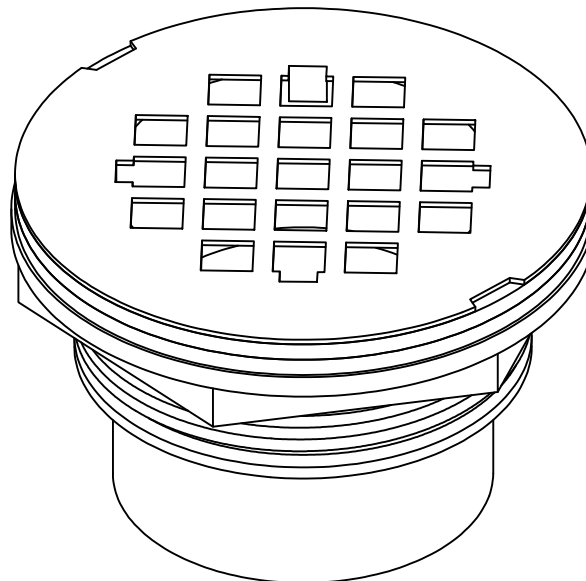
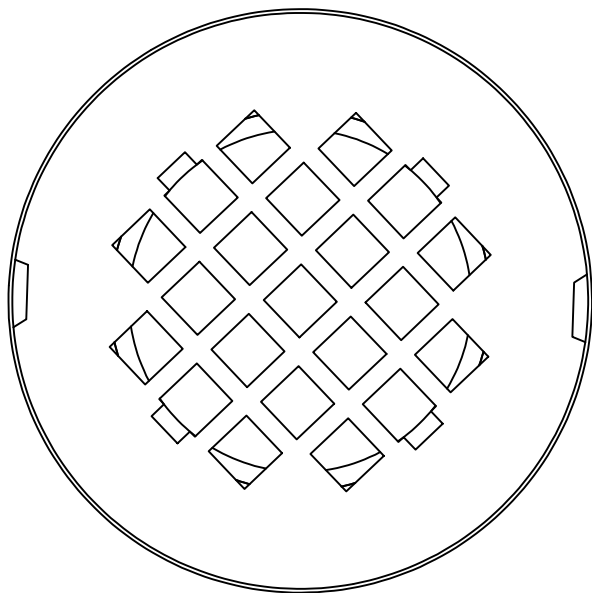


# DROP IN SHOWER STALL DRAINS



SECTION A-A  
SCALE 1.5



PHONE NUMBER  
**1-800-355-6637**  
FAX NUMBER  
**1-800-462-6991**  
SCALE 1.5 : 1 DATE 9-13-11  
SHEET 1 OF 1  
DRAWN BY  
ASHLEY KRALOVEC

PART NO.	D41007	D41307	D41009	D41105
DESCRIPTION	2" SOLVENT OUTLET WITH SS STR.	2" SOLVENT OUTLET WITH SS STR.	2" SOLVENT OUTLET WITH PB STR.	2" SOLVENT OUTLET WITH PB STR.
MATERIAL	PVC	ABS	PVC	ABS