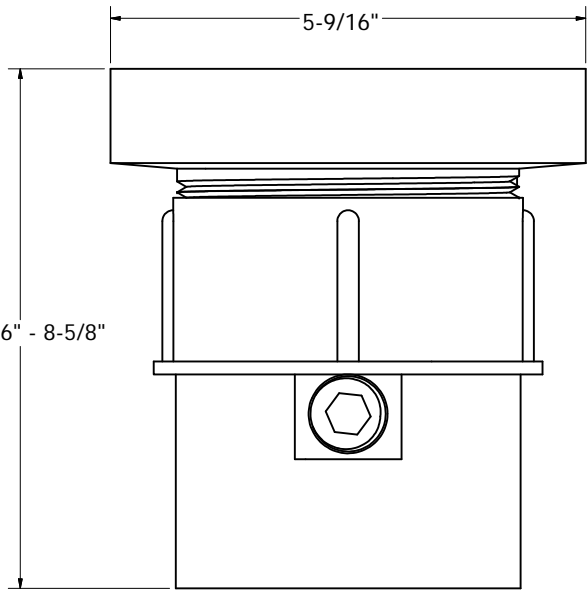
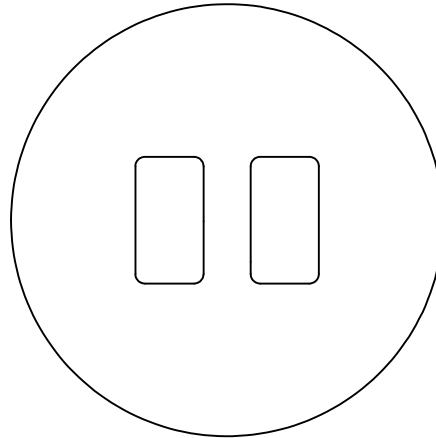
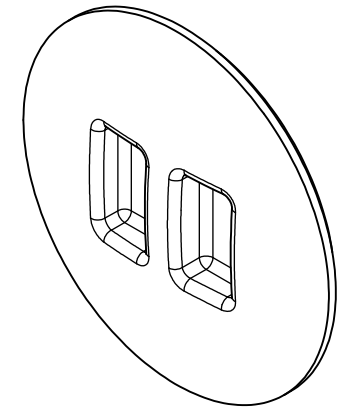
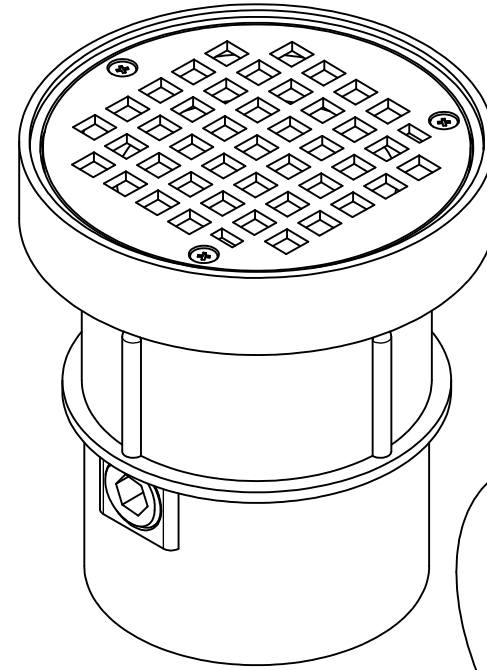
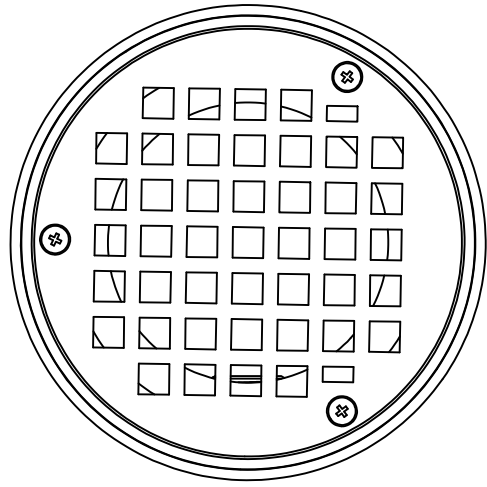


LEVELBEST PVC PIPE FIT DRAIN SYSTEM



PHONE NUMBER
1-800-355-6637

FAX NUMBER
1-800-462-6991

SCALE .8 : 1 DATE 3-30-12

SHEET
1 OF 1

DRAWN BY
ASHLEY KRALOVEC

| | | | | |
|----------|------------|----------|------------|--|
| PART NO. | D50460 | D50461 | D50473 | |
| SIZE | 3" X 4" | 3" X 4" | 3" X 4" | |
| SPUD | 3" PLASTIC | 3" METAL | 3" PLASTIC | |
| STRAINER | 5" NB | 5" NB | 5" NB | |