

58LGAF GAS BALL VALVE



- ❖ FIP x Flare ❖ Quarter Turn ❖ Two Piece Body
- ❖ 1/2 PSIG & 5 G ❖ Suitable For LP & Natural Gas

TEMPERATURE RANGE -40°F - 125°F

Product Spec Sheet

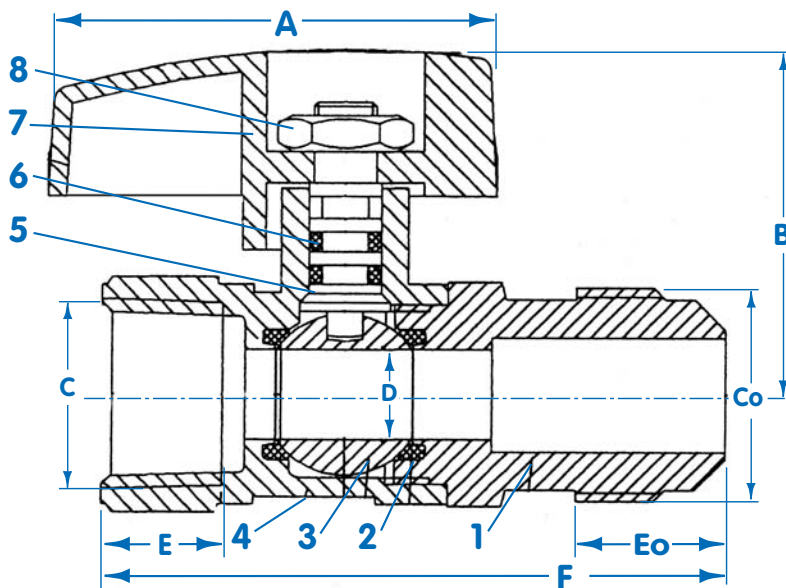


ISO 9001:2000



DIMENSIONS

Model #	Size	A	B	C x Co	D	E x Eo	F
58LGAF32	1/2" FIP x 3/8" Flare	1.97	1.50	1/2"- 14NPT, 5/8"- 18UNF	.39	14" x 12.7"	2.48
58LGAF33	1/2" FIP x 1/2" Flare	1.97	1.50	1/2"- 14NPT, 3/4"- 16UNF	.39	14" x 14.4"	2.71
58LGAF39	1/2" FIP x 9/16" - 24	1.97	1.50	1/2"- 14NPT, 9/16"- 24UNEF	.39	14" x 12.9"	2.48
58LGAF4	3/4" FIP x 15/16" - 24	1.97	1.61	3/4"- 14NPT, 15/16"- 16UNF	.55	15" x 17"	2.99



MATERIAL SPECIFICATIONS

NO.	Part	Material
1	Adapter	Forged Brass
2	Seats	Virgin PTFE
3	Ball	Chrome Plated Brass
4	Body	Forged Brass
5	Stem	Machined Brass
6	O Ring	NBR
7	Handle	Aluminum Alloy
8	Handle Nut	Copper Plated Carbon Steel



Brewster, NY
 TEL: 800-431-2082
 FAX: 800-640-2252

Houston, TX
 TEL: 800-935-5456
 FAX: 800-683-4247

La Palma, CA
 TEL: 866-532-8306
 FAX: 866-532-8307

Americus, GA
 TEL: 800-433-7526
 FAX: 800-533-5134

e-mail: mail@matco-norca.com

www.matco-norca.com