

# 646AS Back Flow Preventer • Spec Sheet

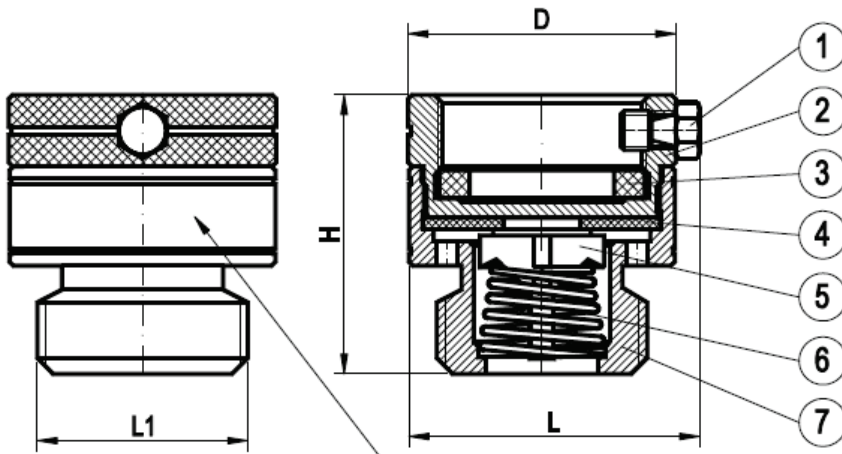


## FEATURES & BENEFITS

- ISO-9002
- ASSE Standard 1011 & UPC/IAPMO
- Brass Construction
- Brass Finish (646AS4)
- Chrome-Plated (646ASC)
- Available Display Carded
- Break-away Set Screw
- 3/4" Garden Hose Threads

## DIMENSIONS

Part #	H	L	L1	D
646AS4 (Brass)	1.38	1.44	1.04	1.33
646ASC (Chrome)	1.38	1.44	1.04	1.33



## MATERIAL SPECIFICATIONS

No.	Part	Material
1	Bolt	Brass B124 C37700
2	Bonnet	Brass B124 C37700
3	Packing	BUNA SN-719F
4	Seat Packing	BUNA SN-719F
5	Spring House	POM-M90 Polyacetal
6	Spring	Stainless Steel 304
7	Body	Brass B124 C37700

MARKING ON PRODUCT :

B 64.2 125 PSI 180° F INDONESIA LVB 3/4" ↓↓

**MATCO-NORCA**  
 Global sourcing. National compliance. Local service.

**CALIFORNIA** 5593 Fresca Dr., La Palma CA 90623 • Toll Free: 866-532-8306 • Fax: 866-532-8307  
**TEXAS** 1150 Silber Rd., Houston TX 77055 • Toll Free: 800-935-5456 • Fax: 713-680-2999  
**NEW YORK** PO Box 27, Rt. 22, Brewster NY 10509 • Toll Free: 800-431-2082 • Fax: 845-278-9056  
 WEB: [www.matco-norca.com](http://www.matco-norca.com) EMAIL: [mail@matco-norca.com](mailto:mail@matco-norca.com)