



**McGuire Manufacturing Co., Inc.**

60 Grandview Court  
P.O. Box 746 • Cheshire, CT 06410  
203-699-1801 • Fax: 203-699-1813  
www.mcguiremfg.com

**PRODUCT SPECIFICATION**

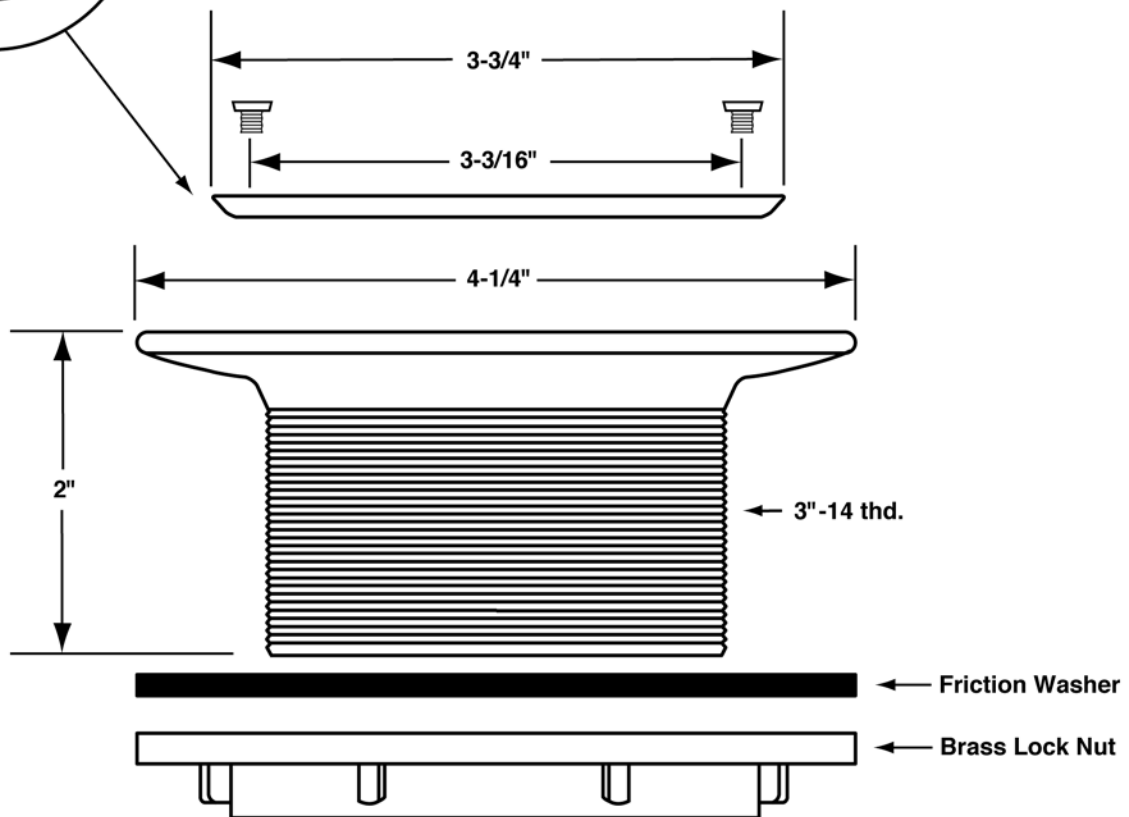
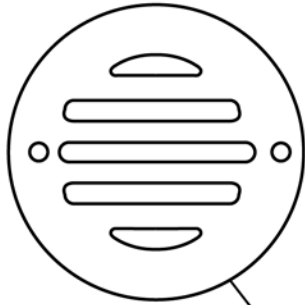
**Part No.**

**1233**

**Flat Grid Urinal Strainer  
for 2 inch Caulk**

**Job Name:**

**Submittal Number:**



**Please Note:** Add suffix "V" to Part Number for vandal resistant screws.

**Specifications:**

Heavy Cast Brass Flat Grid Strainer for 2" lead caulk, iron or soil pipe with cast brass lock nut. Available with vandal resistant screws.