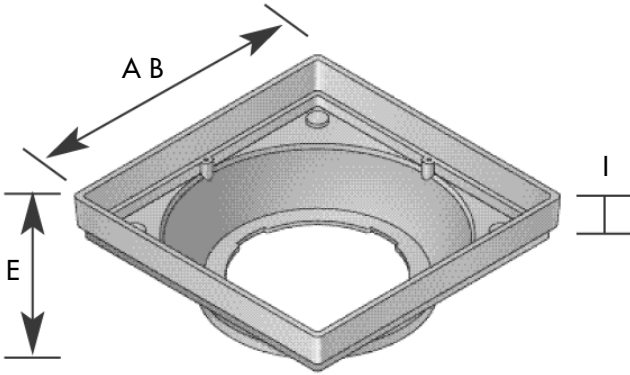


NDS 9" 12" 18" Catch Basin Adapters Low Profile Adapter



Dimension Key

A	Top Width
B	Top Length
C	Bottom Width
D	Bottom Length
E	Height
F	Center of Flow from top of Box
G	Top of opening to top of box
H	Bottom of opening to bottom of box
I	Height of grating shelf
J	Length of Spigot
K	Weight

	A	B	C	D	E	F	G	H	I	J	K
Part Number											
930	9 7/16	9 7/16	N/A	N/A	2 1/16	N/A	N/A	N/A	1 1/8		0.75
1230	12.25	12.25	N/A	N/A	3 7/16	N/A	N/A	N/A	1 1/8		1.25
1830	17 7/8	17 7/8	N/A	N/A	3 5/8	N/A	N/A	N/A	1 1/8		4.75

