

NDS 18" SQUARE TAPERED HDPE
CATCH BASIN W/ U.V.
INHIBITORS.

NDS 18" SQUARE POLYOLEFIN
GRATE W/ U.V. INHIBITORS.

17 $\frac{11}{16}$ " SQ. WIDTH

SLOPE

SLOPE

18 $\frac{9}{16}$ " DEPTH

COMPACTED SOIL

$\frac{3}{4}$ " GRAVEL BASE 4' TO 6" DEEP
BELOW BASIN. TO PREVENT
STANDING WATER.

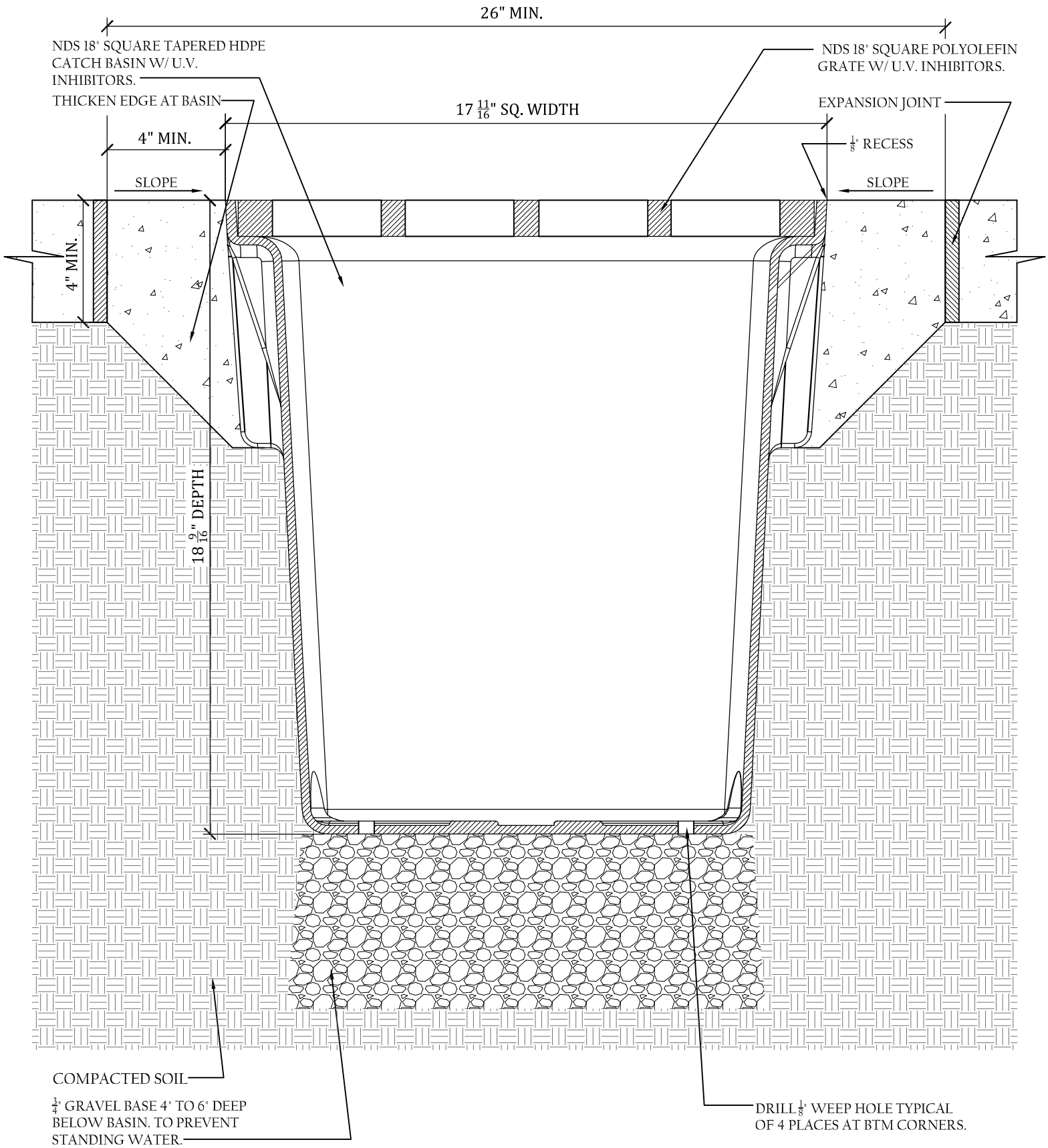
DRILL $\frac{1}{8}$ " WEEP HOLE TYPICAL
OF 4 PLACES AT BTM CORNERS.

NOTE:

- GRATE TO BE ATTACHED TO CATCH BASIN WITH SCREW PROVIDED AT TIME OF INSTALLATION.

NDS 18" TM sq. CATCH BASIN TYPICAL INSTALLATION.
LANDSCAPE APPLICATION.


WE PUT WATER IN ITS PLACE
TECHNICAL SERVICES
1-888-825-4716
techservice@ndsgro.com



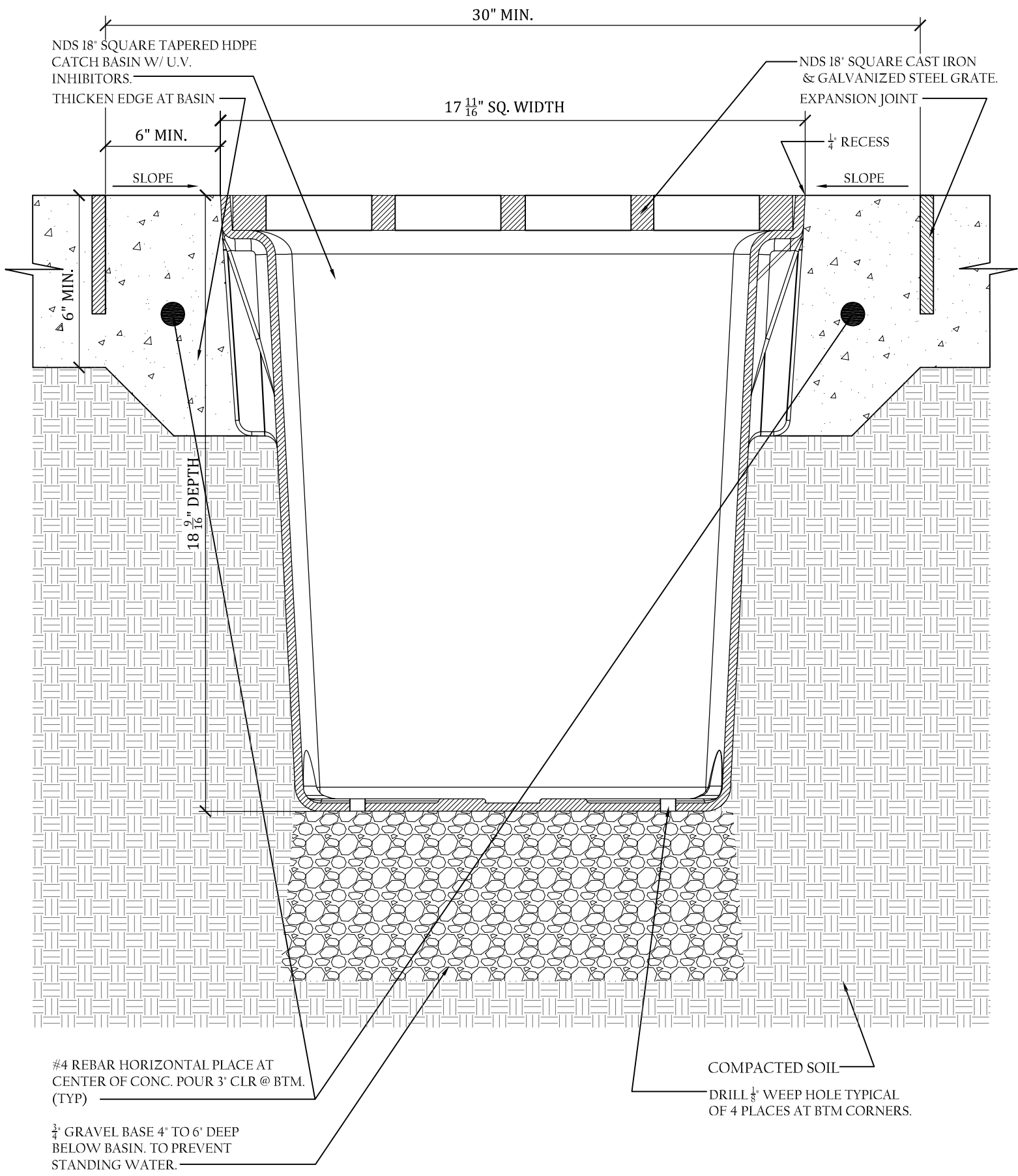
NOTE:

- GRATE TO BE ATTACHED TO CATCH BASIN WITH SCREW PROVIDED AT TIME OF INSTALLATION.

NDS 18" sq. CATCH BASIN TYPICAL INSTALLATION.

PEDESTRIAN AND LIGHT VEHICULAR TRAFFIC APPLICATION 'LOAD CASE 'A' & 'B'





NOTE:

- GRATE TO BE ATTACHED TO CATCH BASIN WITH SCREW PROVIDED AT TIME OF INSTALLATION.

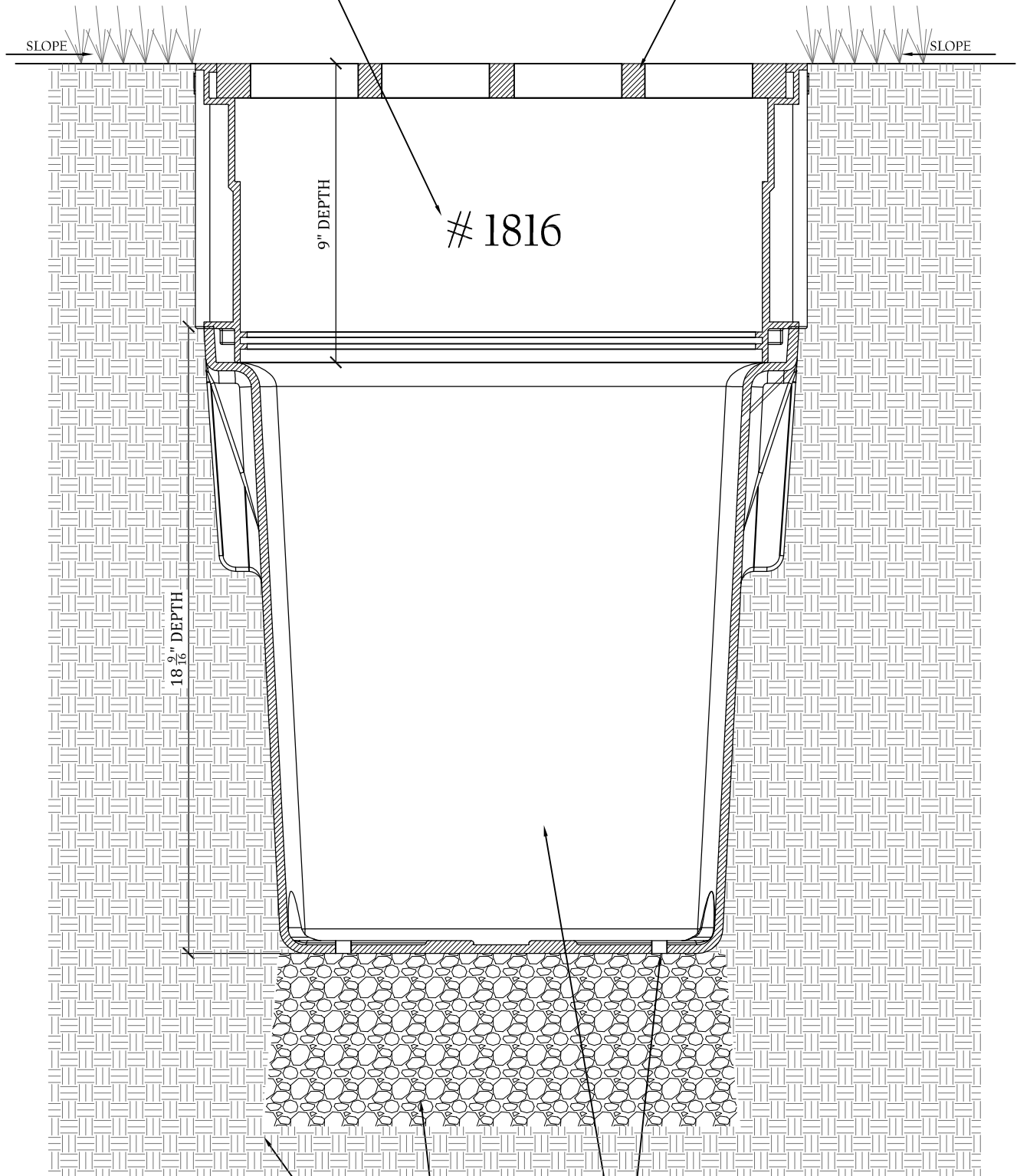
NDS 18" sq.™ CATCH BASIN TYPICAL INSTALLATION.

VEHICULAR TRAFFIC APPLICATION *LOAD CASE 'C'



NDS 18" SQUARE TAPERED HDPE
CATCH BASIN (RISER) W/ U.V.
INHIBITORS.

NDS 18" SQUARE POLYOLEFIN
GRATE W/ U.V. INHIBITORS.



COMPACTED SOIL
 $\frac{3}{4}$ " GRAVEL BASE 4' TO 6' DEEP
 BELOW BASIN. TO PREVENT
 STANDING WATER.

DRILL $\frac{1}{8}$ " WEEP HOLE TYPICAL
 OF 4 PLACES AT BTM CORNERS.

NDS 18" SQUARE TAPERED
 POLYPROPYLENE CATCH BASIN
 W/ U.V. INHIBITORS.

NOTE:

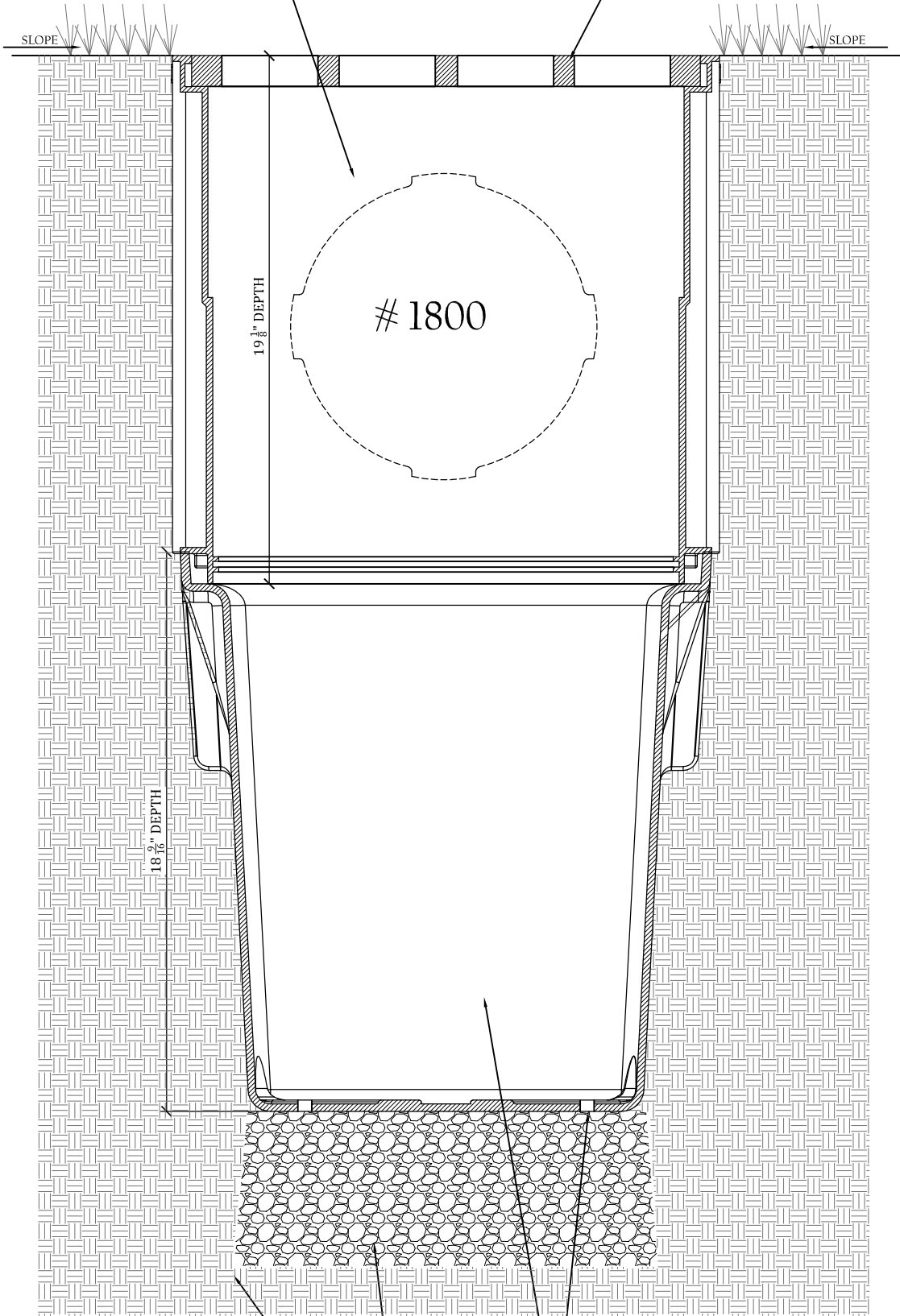
- GRATE TO BE ATTACHED TO CATCH BASIN WITH SCREW PROVIDED AT TIME OF INSTALLATION.
- DO NOT USE OVER 5 RISERS WITH CATCH BASIN.

NDS 18" sq. CATCH BASIN WITH RISER INSTALLATION.
 LANDSCAPE APPLICATION.



NDS 18" SQUARE TAPERED HDPE
CATCH BASIN (RISER) W/ U.V.
INHIBITORS.

NDS 18" SQUARE POLYOLEFIN
GRATE W/ U.V. INHIBITORS.



COMPACTED SOIL

$\frac{1}{2}$ " GRAVEL BASE 4" TO 6" DEEP
BELOW BASIN. TO PREVENT
STANDING WATER.

DRILL $\frac{1}{8}$ " WEEP HOLE TYPICAL
OF 4 PLACES AT BTM CORNERS.

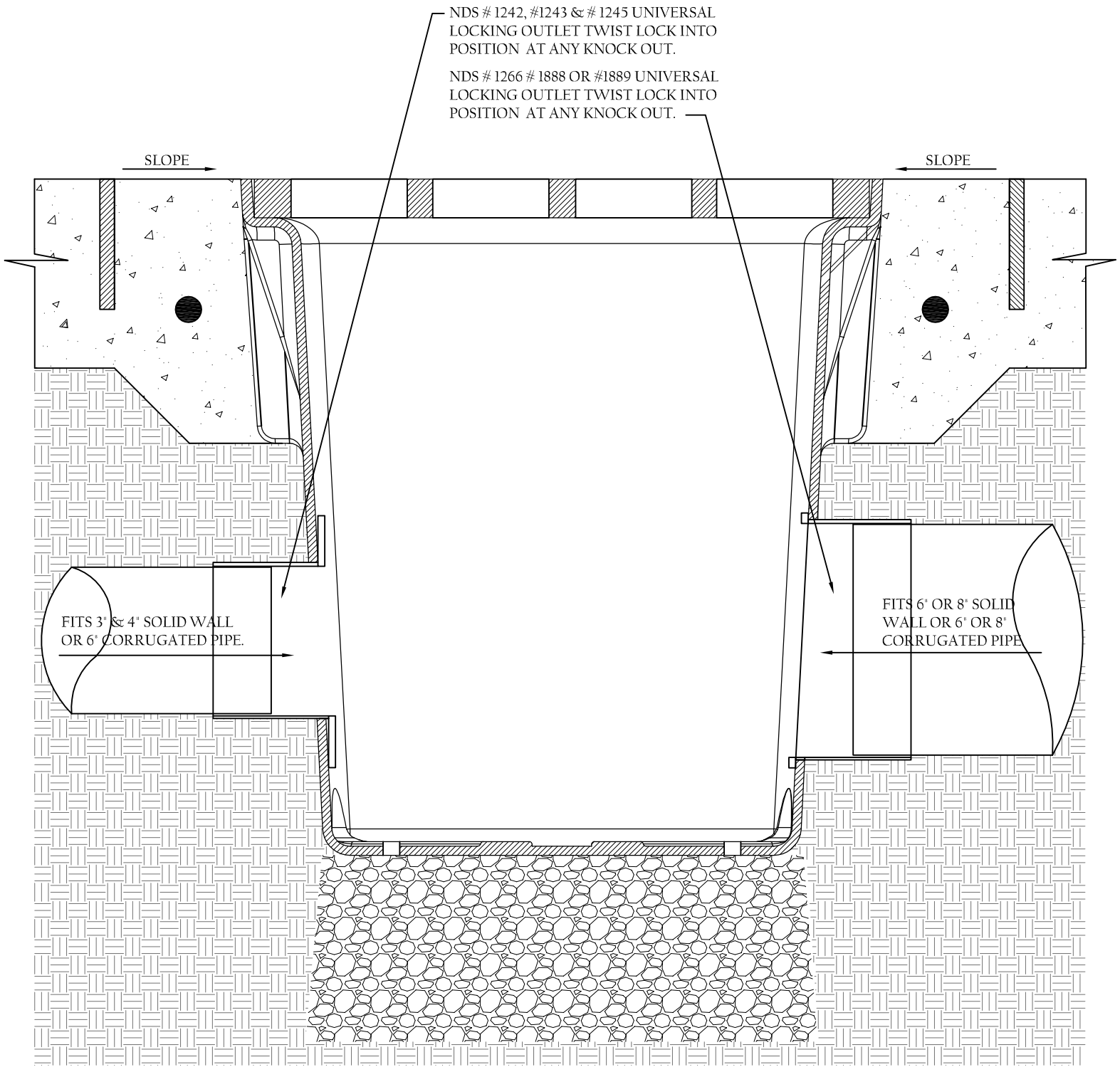
NDS 18" SQUARE TAPERED HDPE
CATCH BASIN W/ U.V.
INHIBITORS.

NOTE:

- GRATE TO BE ATTACHED TO CATCH BASIN WITH SCREW PROVIDED AT TIME OF INSTALLATION.
- DO NOT USE OVER 5 RISERS WITH CATCH BASIN.

NDS 18" sq. CATCH BASIN WITH RISER INSTALLATION.
LANDSCAPE APPLICATION.





NOTE:

- NDS ADAPTERS THAT FIT THIS BASIN ARE AS FOLLOWS. # 1242, # 1243, # 1245 # 1266 # 1888 & #1889 USE # 1206 IF PLUGGING AN OUTLET. INCLUDES (2) # 1890 REDUCER RINGS USED WITH SMALLER CONNECTIONS.

NDS 18" TM CATCH BASIN PLUMBING CONNECTIONS.