

NIRON[®]

Product Catalog

April, 2016



APPROVED FOR POTABLE WATER

PP-RCT Piping Systems

PRODUCT CATALOG: NIRON 2016 USA

REVISION: 01

ISSUE DATE: 2016 April

INDEX

LEGEND	8
PP-RCT PIPES - PRODUCT RANGE & APPLICATIONS.....	9
1. PP-RCT PIPING	10
NIRON MONO BLUE PP-RCT PIPE.....	10
NIRON MONO GREY PP-RCT PIPE.....	11
NIRON MULTI FG RED PP-RCT PIPE FOR HOT WATER.....	13
NIRON MULTI CLIMA PP-RCT PIPE	15
NIRON MULTI CLIMA11 PP-RCT PIPE UV RAY BARRIER.....	18
NIRON FULL PURPLE PP-RCT PIPE	19
2. PP-RCT SOCKET & BUTT FUSION FITTINGS	20
<i>CROSSOVER PIPE</i>	
CROSSOVER PIPE - PLAIN END.....	20
COMPACT CROSS OVER F/F - SOCKET FUSION.....	20
COMPACT CROSS OVER M/F - SOCKET FUSION.....	21
<i>90° ELBOW</i>	
LONG RADIUS 90° ELOBOW - SOCKET FUSION	21
90° ELBOW - SOCKET FUSION	22
SDR 7.3 90° ELBOW - LONG SPIGOT	23
SDR 11 90° ELBOW - LONG SPIGOT	24
SDR 17 90° ELBOW - LONG SPIGOT	25
FEMALE THREADED 90° ELBOW W/NPT <i>LEAD FREE BRASS</i> - SOCKET FUSION	26
MALE THREADED 90° ELBOW W/NPT <i>LEAD FREE BRASS</i> - SOCKET FUSION	27
FEMALE THREADED BACK PLATE 90° ELBOW W/NPT <i>LEAD FREE BRASS</i> - SOCKET FUSION	27
FEMALE THREADED WINGED 90° ELBOW W/NPT <i>LEAD FREE BRASS</i> - SOCKET FUSION	28
MALE THREADED WINGED 90° ELBOW W/NPT <i>LEAD FREE BRASS</i> - SOCKET FUSION	28
MOUNTING UNIT WITH 90°ELBOWS.....	29
TEMPLATE FOR EXTERNAL BATH TAPS.....	29
FEMALE THREADED 90° ELBOW W/NPT FOR TEMPLATE W/NPT <i>LEAD FREE BRASS</i> - SOCKET FUSION	30
MALE THREADED 90° ELBOW W/NPT FOR TEMPLATE W/NPT <i>LEAD FREE BRASS</i> - SOCKET FUSION	30
STREET 90° ELBOW - SOCKET FUSION	31
FEMALE THREADED STREET 90° ELBOW W/NPT <i>LEAD FREE BRASS</i>	31
<i>45° ELBOW</i>	
45° ELBOW - SOCKET FUSION	32
STREET 45° ELBOW - SOCKET FUSION	32

SDR 7.3 45° ELBOW - LONG SPIGOT	33
SDR 11 45° ELBOW - LONG SPIGOT	34
SDR 17 45° ELBOW - LONG SPIGOT	34
90° TEE	
TEE - SOCKET FUSION	36
SDR 7.3 TEE - LONG SPIGOT	37
SDR 11 TEE - LONG SPIGOT	38
SDR 17 TEE - LONG SPIGOT	39
FEMALE THREADED TEE W/NPT <i>LEAD FREE BRASS</i> - SOCKET FUSION	40
FEMALE THREADED TEE W/NPT <i>STAINLESS STEEL</i> - SOCKET FUSION	41
MALE THREADED TEE W/NPT <i>LEAD FREE BRASS</i> - SOCKET FUSION	42
MALE THREADED TEE W/NPT <i>STAINLESS STEEL</i> - SOCKET FUSION	43
REDUCED TEE	
REDUCED TEE - SOCKET FUSION	44
SDR 11 MALE SIDE FUSION REDUCED TEE - LONG SPIGOT	46
SDR 17 MALE SIDE FUSION REDUCED TEE - LONG SPIGOT	49
SDR 11 REDUCED TEE - LONG SPIGOT	53
SDR 17 REDUCED TEE - LONG SPIGOT	54
SDR 11 FEMALE SIDE FUSION REDUCED TEE	55
WYE LATERAL 45°	
SDR 7.3 WYE LATERAL 45° - LONG SPIGOT	57
SDR 9 WYE LATERAL 45° - LONG SPIGOT	57
SDR 11 WYE LATERAL 45° - LONG SPIGOT	58
SDR 17 WYE LATERAL 45° - LONG SPIGOT	58
REDUCED CROSS	
REDUCED CROSS - SOCKET FUSION	59
SIDE ELBOW THREE OUTLETS - SOCKET FUSION	59
REDUCER	
REDUCING BUSHING - SOCKET FUSION	60
SDR 11 MALE CONCENTRIC REDUCER - LONG SPIGOT	62
SDR 11 MALE CONCENTRIC REDUCER - SHORT SPIGOT	63
SDR 17 MALE CONCENTRIC REDUCER - LONG SPIGOT	64
SDR 17 MALE CONCENTRIC REDUCER - SHORT SPIGOT	65
COUPLING	
COUPLING - SOCKET FUSION	66
FEMALE THREADED ADAPTER W/NPT <i>LEAD FREE BRASS</i> - SOCKET FUSION	67
FEMALE THREADED ADAPTER W/NPT <i>STANDARD BRASS</i> - SOCKET FUSION	68
FEMALE THREADED ADAPTER W/NPT <i>STAINLESS STEEL</i> - SOCKET FUSION	69
FEMALE THREADED ADAPTER W/NPT <i>LEAD FREE BRASS</i> - BUTT FUSION	70
MALE THREADED ADAPTER W/NPT <i>LEAD FREE BRASS</i> - SOCKET FUSION	71

MALE THREADED ADAPTER <i>W/NPT STANDARD BRASS</i> - SOCKET FUSION	72
MALE THREADED ADAPTER <i>W/NPT STAINLESS STEEL</i> - SOCKET FUSION	73
MALE THREADED ADAPTER <i>W/NPT STAINLESS STEEL</i> - BUTT FUSION	74
VICTAULIC ADAPTER <i>W/STAINLESS STEEL</i> - LONG SPIGOT	75
PEX ADAPTER (EXPANSION) WITH SOCKET ENDS	75
ALL-PLASTIC UNIONS WITH SOCKET FUSION ENDS	76
UNION <i>W/STANDARD BRASS NUTS AND SOCKET ENDS</i>	76

WELDING SADDLES

WELDING SADDLES <i>W/SOCKET FUSION OUTLETS</i>	77
FEMALE SIDE FUSION WELDING SADDLE <i>W/NPT LEAD STANDARD BRASS</i>	79
FEMALE SIDE FUSION WELDING SADDLE <i>W/NPT STANDARD BRASS</i>	80
FEMALE SIDE FUSION WELDING SADDLE <i>W/NPT STAINLESS STEEL</i>	81
PEX ADAPTER FUSION WELDING SADDLE	82

END CAP

END CAP -SOCKET FUSION	83
SDR 7.3 END CAP - SHORT SPIGOT	83
SDR 11 END CAP -LONG SPIGOT	84
SDR 11 END CAP - SHORT SPIGOT	84
SDR 17 END CAP - LONG SPIGOT	85
SDR 17 END CAP - SHORT SPIGOT	85

STUB FLANGE & GASKET

STUB FLANGE - SOCKET FUSION	86
SDR 7.3 STUB FLANGE - LONG SPIGOT	87
SDR 11 STUB FLANGE - LONG SPIGOT	88
SDR 17 STUB FLANGE - LONG SPIGOT	89
SDR 11 STUB FLANGE - SHORT SPIGOT	90
SDR 17 STUB FLANGE - SHORT SPIGOT	91
PP ENCAPSULED BACKING RING ANSI/ASA 150#	92
GASKET LOW - STRESS EPDM	93

3. PP-RCT ELECTROFUSION FITTINGS 94

SDR 11 ELECTROFUSION COUPLING	94
SDR 17 ELECTROFUSION COUPLING	95
ELECTROFUSION REDUCER	96
ELECTROFUSION 90° ELBOW	97
ELECTROFUSION 45° ELBOW	98
ELECTROFUSION TEE	99
ELECTROFUSION BRANCH SADDLES	100

4. PP-RCT COMPRESSION FITTINGS	102
COUPLING	102
90° ELBOW	103
REDUCER	104
90°TEE	105
5. VALVES	106
COMPLETE STOP VALVE <i>W/LEAD FREE BRASS - SOCKET FUSION</i>	106
ANGLE VALVE <i>W/LEAD FREE BRASS - SOCKET FUSION</i>	106
ETENDED STOP VALVE <i>W/LEAD FREE BRASS - SOCKET FUSION</i>	107
CONCEALED (EXTRACTABLE) BALL VALVE <i>W/LEAD FREE BRASS - SOCKET FUSION</i>	107
PPR TRUE UNION BALL VALVE - SOCKET FUSION	108
6.SPAREPARTS.....	109
MOUNTING UNIT	109
TEMPLATE FOR EXTERNAL BATH TAPS	109
CHROME PLATE FOR CONCEALED (EXTRACTABLE) BALL VALVE.....	110
SPARE BALL FOR CONCEALED (EXTRACTABLE) BALL VALVE	110
EXTENSION	111
HANDLE FOR CONCEALED (EXTRACTABLE) BALL VALVE	111
LEVER HANDLE FOR CONCEALED (EXTRACTABLE) BALL VALVE	112
BOLT SPARE PART FOR STOP VALVE <i>W/LEAD FREE BRASS</i>	112
CHROME PLATED BOLT FOR STOP VALVE	113
EXTENSION FOR STOP VALVE	113
HANDLE FOR STOP VALVE	114
7.EQUIPMENT	115
PIPE CUTTER	115
MANUAL SCRAPER	115
REVOLVING SCRAPER	115
TURBO SCRAPER	116
TURBO SCRAPER KIT.....	116
BEVELING MANUAL TOOL	116
ALIGNER FOR ELECTROFUSION FITTINGS	117
WELDER WITH CASE	117
WELDER WITH SUPPORT	117
MALE/FEMALE DIE PAIR FOR WELDER	118
MALE/FEMALE DIES FOR HOLE MENDING	119
DRILL FOR SADDLES	120

DIE PAIR FOR SADDLES	110
PLASTIC TEMPLATE	122
EXTENDED TESTING PLUG	122
MALE THREADED TESTING PLUG	122
8. ELECTROFUSION WELDING UNITS	123
MULTIFUNCTION WELDING UNIT INCORPORATES IN PELICAN CASE WITH BARCODE SCANNER - <i>LIGHT VERSION</i> ...	123
MULTIFUNCTION WELDING UNIT INCORPORATES IN PELICAN CASE WITH BARCODE SCANNER	124
MULTIFUNCTION - SMART - WELDING UNIT INCORPORATES IN PELICAN CASE - <i>LIGHT VERSION</i>	125
MULTIFUNCTION - SMART - WELDING UNIT INCORPORATES IN PELICAN CASE	126
AUTOMATIC MULTIFUNCTION WELDING UNIT WITH BARCODE SCANNER - <i>SUPER LIGHT VERSION</i>	127
AUTOMATIC MULTIFUNCTION WELDING UNIT WITH BARCODE SCANNER - <i>LIGHT VERSION</i>	128
AUTOMATIC MULTIFUNCTION WELDING UNIT WITH BARCODE SCANNER	129
STANDARD TERMS & CONDITIONS	130

LEGEND

Code: Nupi Americas item code

Ø: External diameter

SDR Standard Nominal Ratio: ratio of pipe outside diameter to wall thickness (d_e/s)

Pack - Bag - Carton / Q.ty Minimum quantity per pack
(Packaging can change without any notice due to company needs)


Pallet/Q.ty: Quantity per pallet

Weight lb/ft - lb/each: Item weight per foot/piece

Volume ft³/p: Item volume - (Cubic feet)

ND Nominal diameter

Price Price per feet or per piece.
All prices shown are in US Dollars.

 Suitable for water

 The brass used is **SUITABLE** for the transportation of human consumption fluids

 The brass used is **NOT SUITABLE** for the transportation of human consumption fluids

 The stainless steel used is **SUITABLE** for the transportation of human consumption fluids

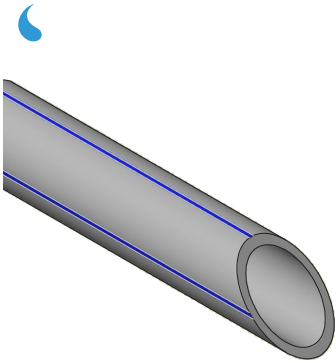
Note: We have made every attempt to report accuracy of the dimensions shown. However, we reserve the right to vary dimensions without notice, as the design of fittings change from time to time. Please consult the factory or your Niron representative for the most current dimensional information regarding the parts shown herein.

PP-RCT PIPES - PRODUCT RANGE & APPLICATIONS

	RANGE NAME	PRODUCT NAME	PRODUCT IDENTIFICATION COLOR	COMPOSITION	SDR	from Ø	to Ø
●	NIRON	MONO BLUE	GREY + BLUE STRIPES	100% PP-RCT	7.3	½"	¾"
●	NIRON	MONO BLUE	GREY + BLUE STRIPES	100% PP-RCT	9	1"	1"
●	NIRON	MONO BLUE	GREY + BLUE STRIPES	100% PP-RCT	11	1¼"	6"
●	NIRON	MONO BLUE	GREY + BLUE STRIPES	100% PP-RCT	17	2"	6"
●	NIRON	MONO GREY	GREY	100% PP-RCT	7.3	½"	¾"
●	NIRON	MONO GREY	GREY	100% PP-RCT	9	1"	1"
●	NIRON	MONO GREY	GREY	100% PP-RCT	11	1¼"	24"
●	NIRON	MONO GREY	GREY	100% PP-RCT	17	2"	24"
●	NIRON	MULTI FG RED	GREY + RED STRIPES	PP-RCT + FG FILLED LAYER	7.3	½"	6"
●	NIRON	MULTI FG RED	GREY + RED STRIPES	PP-RCT + FG FILLED LAYER	9	1"	6"
●	NIRON	MULTI FG RED	GREY + RED STRIPES	PP-RCT + FG FILLED LAYER	11	1¼"	6"
●	NIRON	MULTI CLIMA	GREY	PP-RCT + FG FILLED LAYER	7.3	½"	6"
●	NIRON	MULTI CLIMA	GREY	PP-RCT + FG FILLED LAYER	9	1"	1"
●	NIRON	MULTI CLIMA	GREY	PP-RCT + FG FILLED LAYER	11	1¼"	16"
●	NIRON	MULTI CLIMA	GREY	PP-RCT + FG FILLED LAYER	17	2"	24"
●	NIRON	MULTI CLIMA 11 DARK	GREY + BLACK EXTERIOR	PP-RCT + FG LAYER + HDPE	11	1"	16"
●	NIRON	MONO PURPLE	PURPLE	PP-RCT + PURPLE LAYER	7.3	½"	¾"
●	NIRON	MONO PURPLE	PURPLE	PP-RCT + PURPLE LAYER	11	1"	6"

	HVACR							
Drinking water		Swimming pools	Chemical fluids	Recycled water	Compressed air	Heating	Geothermal applications	Ship building industry
●	●	●	●		●	●	●	●
●	●	●			●	●	●	●
●	●	●	●		●	●	●	●
●	●	●			●	●	●	●
●	●					●	●	●
				●				

1. PP-RCT PIPING



NIRON MONO BLUE PP-RCT PIPE

Pipe structure: Monolayer pipe

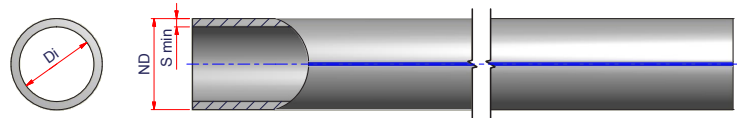
Material: PP-RCT

Color: Grey with blue stripes available now

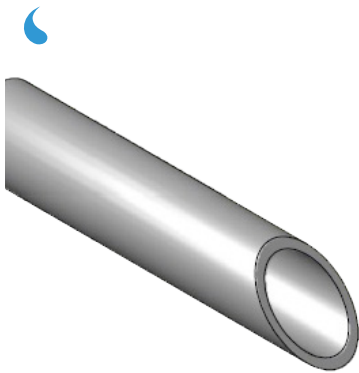
Range: From $\varnothing\frac{1}{2}$ " to $\varnothing 6$ "

Packaging: Straight length 20 ft

Applications:



Code	\varnothing	SDR	Pack. Qty	Weight lb/ft	ND	S min	Di
SDR 7.3							
27TNIRRB2073	$\frac{1}{2}$ "	7.3	500	0.10	$\frac{1}{2}$ " => 20 mm	0.11	0.57
27TNIRRB2573	$\frac{3}{4}$ "	7.3	500	0.15	$\frac{3}{4}$ " => 25 mm	0.14	0.71
SDR 9							
27TNIRRB329	1"	9	300	0.21	1" => 32 mm	0.14	0.98
SDR 11							
27TNIRRB4011	1 $\frac{1}{4}$ "	11	200	0.27	1 $\frac{1}{4}$ " => 40 mm	0.15	1.28
27TNIRRB5011	1 $\frac{1}{2}$ "	11	100	0.42	1 $\frac{1}{2}$ " => 50 mm	0.18	1.61
27TNIRRB6311	2"	11	80	0.67	2" => 63 mm	0.23	2.02
27TNIRRB7511	2 $\frac{1}{2}$ "	11	60	0.92	2 $\frac{1}{2}$ " => 75 mm	0.27	2.42
27TNIRRB9011	3"	11	40	1.34	3" => 90 mm	0.32	2.90
27TNIRRB11011	4"	11	40	1.99	4" => 110 mm	0.39	3.54
27TNIRRB12511	5"	11	20	2.58	5" => 125 mm	0.45	4.02
27TNIRRB16011	6"	11	20	4.18	6" => 160 mm	0.57	5.15
SDR17							
27TNIRRB6317	2"	17	80	0.46	2" => 63 mm	0.15	2.18
27TNIRRB7517	2 $\frac{1}{2}$ "	17	60	0.65	2 $\frac{1}{2}$ " => 75 mm	0.18	2.61
27TNIRRB9017	3"	17	40	0.93	3" => 90 mm	0.21	3.11
27TNIRRB11017	4"	17	40	1.36	4" => 110 mm	0.26	3.83
27TNIRRB12517	5"	17	20	1.75	5" => 125 mm	0.29	4.34
27TNIRRB16017	6"	17	20	2.86	6" => 160 mm	0.37	5.56



NIRON MONO GREY PP-RCT PIPE

Pipe structure: Monolayer pipe

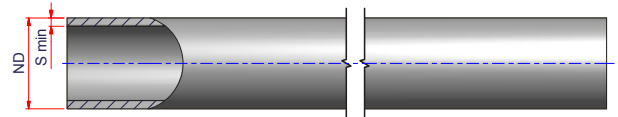
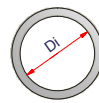
Material: PP-RCT

Color: Grey

Range: $\varnothing\frac{1}{2}'' \div \varnothing24''$

Packaging: Straight length 20 ft

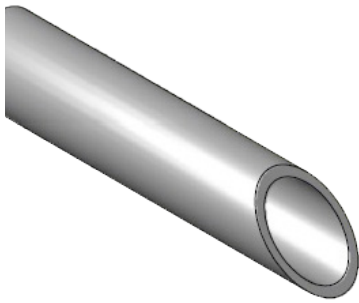
Applications:



Code	\varnothing	SDR	Pack. Qty	Weight lb/ft	ND	S min	Di
SDR 7.3							
27TNIRR2073	$\frac{1}{2}''$	7.3	500	0.10	$\frac{1}{2}'' \Rightarrow 20 \text{ mm}$	0.11	0.57
27TNIRR2573	$\frac{3}{4}''$	7.3	500	0.15	$\frac{3}{4}'' \Rightarrow 25 \text{ mm}$	0.14	0.71
SDR 9							
27TNIRR329	1"	9	300	0.21	1" $\Rightarrow 32 \text{ mm}$	0.14	1.03
SDR 11							
27TNIRR4011	1 $\frac{1}{4}''$	11	200	0.27	1 $\frac{1}{4}'' \Rightarrow 40 \text{ mm}$	0.15	1.28
27TNIRR5011	1 $\frac{1}{2}''$	11	100	0.42	1 $\frac{1}{2}'' \Rightarrow 50 \text{ mm}$	0.18	1.61
27TNIRR6311	2"	11	80	0.67	2" $\Rightarrow 63 \text{ mm}$	0.23	2.02
27TNIRR7511	2 $\frac{1}{2}''$	11	60	0.92	2 $\frac{1}{2}'' \Rightarrow 75 \text{ mm}$	0.27	2.42
27TNIRR9011	3"	11	40	1.34	3" $\Rightarrow 90 \text{ mm}$	0.32	2.90
27TNIRR11011	4"	11	40	1.99	4" $\Rightarrow 110 \text{ mm}$	0.39	3.54
27TNIRR12511	5"	11	20	2.58	5" $\Rightarrow 125 \text{ mm}$	0.45	4.02
27TNIRR16011	6"	11	20	4.18	6" $\Rightarrow 160 \text{ mm}$	0.57	5.15
27TNIRR20011	8"	11	20	6.56	8" $\Rightarrow 200 \text{ mm}$	0.72	6.44
27TNIRR25011	10"	11	20	10.08	10" $\Rightarrow 250 \text{ mm}$	0.89	8.06
27TNIRR31511	12"	11	20	15.93	12" $\Rightarrow 315 \text{ mm}$	1.13	10.15
27TNIRR35511	14"	11	20	20.16	14" $\Rightarrow 355 \text{ mm}$	1.27	11.44
27TNIRR40011	16"	11	20	25.67	16" $\Rightarrow 400 \text{ mm}$	1.43	12.89
27TNIRR45011	18"	11	20	32.32	18" $\Rightarrow 450 \text{ mm}$	1.61	14.50
27TNIRR50011	20"	11	20	39.72	20" $\Rightarrow 500 \text{ mm}$	1.79	16.11
27TNIRR56011	22"	11	20	49.73	22" $\Rightarrow 560 \text{ mm}$	2.00	18.05
27TNIRR63011	24"	11	20	62.83	24" $\Rightarrow 630 \text{ mm}$	2.25	20.30



NIRON MONO GREY PP-RCT PIPE



Pipe structure: Monolayer pipe

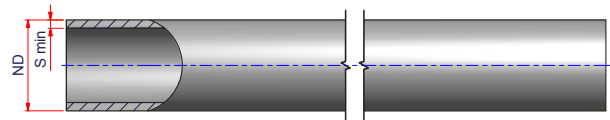
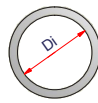
Material: PP-RCT

Color: Grey

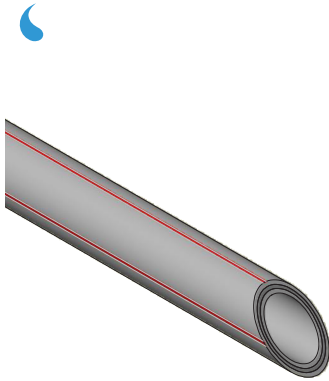
Range: $\varnothing 2'' \div \varnothing 24''$

Packaging: Straight length 20 ft

Applications:



Code	\varnothing	SDR	Pack. Qty	Weight lb/ft	ND	S min	Di
SDR 17							
27TNIRR6317	2"	17	80	0.46	2" => 63 mm	0.15	2.18
27TNIRR7517	2 1/2"	17	60	0.65	2 1/2" => 75 mm	0.18	2.60
27TNIRR9017	3"	17	40	0.93	3" => 90 mm	0.21	3.12
27TNIRR11017	4"	17	40	1.36	4" => 110 mm	0.26	3.81
27TNIRR12517	5"	17	20	1.75	5" => 125 mm	0.29	4.34
27TNIRR16017	6"	17	20	2.86	6" => 160 mm	0.37	5.55
27TNIRR20017	8"	17	20	4.39	8" => 200 mm	0.47	6.94
27TNIRR25017	10"	17	20	6.91	10" => 250 mm	0.58	8.68
27TNIRR31517	12"	17	20	10.93	12" => 315 mm	0.74	10.93
27TNIRR35517	14"	17	20	13.83	14" => 355 mm	0.83	12.31
27TNIRR40017	16"	17	20	17.50	16" => 400 mm	0.93	13.88
27TNIRR45017	18"	17	20	22.08	18" => 450 mm	1.05	15.61
27TNIRR50017	20"	17	20	27.21	20" => 500 mm	1.17	17.35
27TNIRR56017	22"	17	20	33.96	22" => 560 mm	1.31	19.43
27TNIRR63017	24"	17	20	42.90	24" => 630 mm	1.47	21.86



NIRON MULTI FG RED PP-RCT PIPE FOR HOT WATER

Pipe structure: Multiayer pipe

Material: PP-RCT + Fiberglass

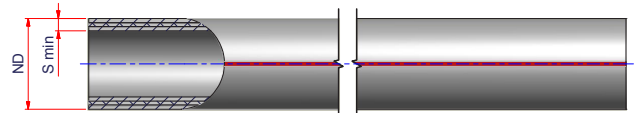
Grey with red stripes available now

Range: $\varnothing 1/2'' \div \varnothing 6''$

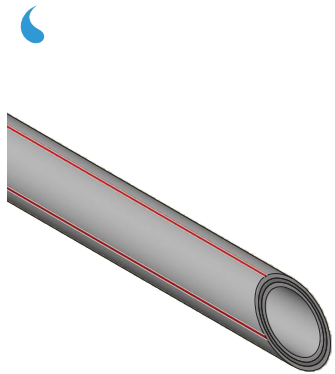
Packaging: Straight length 20 ft

Notes: Triple layer pipe with fiberglass added to middle layer

Applications:



Code	Ø	SDR	Pack. Qty	Weight lb/ft	ND	S min	Di
SDR 7.3							
27TNIRRF2073	1/2"	7.3	500	0.11	1/2" => 20 mm	0.11	0.57
27TNIRRF2573	3/4"	7.3	500	0.16	3/4" => 25 mm	0.14	0.71
27TNIRRF3273	1"	7.3	300	0.26	1" => 32 mm	0.17	0.91
27TNIRRF4073	1 1/4"	7.3	200	0.40	1 1/4" => 40 mm	0.22	1.14
27TNIRRF5073	1 1/2"	7.3	100	0.61	1 1/2" => 50 mm	0.27	1.43
27TNIRRF6373	2"	7.3	80	0.97	2" => 63 mm	0.34	1.80
27TNIRRF7573	2 1/2"	7.3	60	1.38	2 1/2" => 75 mm	0.41	2.14
27TNIRRF9073	3"	7.3	40	1.98	3" => 90 mm	0.48	2.57
27TNIRRF11073	4"	7.3	40	2.93	4" => 110 mm	0.59	3.14
27TNIRRF12573	5"	7.3	20	3.77	5" => 125 mm	0.67	3.57
27TNIRRF16073	6"	7.3	20	6.11	6" => 160 mm	0.86	4.57
SDR 9							
27TNIRRF329	1"	9	300	0.22	1" => 32 mm	0.14	0.98
27TNIRRF409	1 1/4"	9	200	0.34	1 1/4" => 40 mm	0.17	1.23
27TNIRRF509	1 1/2"	9	100	0.52	1 1/2" => 50 mm	0.22	1.53
27TNIRRF639	2"	9	80	0.84	2" => 63 mm	0.28	1.93
27TNIRRF759	2 1/2"	9	60	1.17	2 1/2" => 75 mm	0.33	2.29
27TNIRRF909	3"	9	40	1.68	3" => 90 mm	0.39	2.75
27TNIRRF1109	4"	9	40	2.50	4" => 110 mm	0.48	3.37
27TNIRRF1259	5"	9	20	3.23	5" => 125 mm	0.55	3.82
27TNIRRF1609	6"	9	20	5.24	6" => 160 mm	0.72	4.89



NIRON MULTI FG RED PP-RCT PIPE FOR HOT WATER

Pipe structure: Multiayer pipe

Material: PP-RCT + Fiberglass

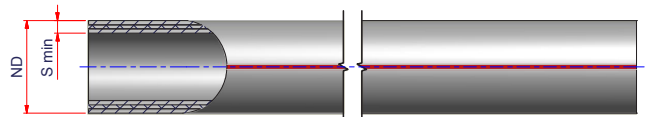
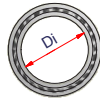
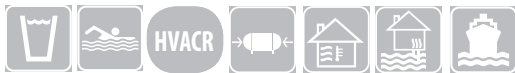
Grey with red stripes available now

Range: $\varnothing 1 \frac{1}{4}'' \div \varnothing 6''$

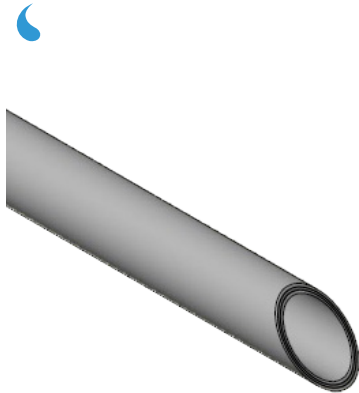
Packaging: Straight length 20 ft

Notes: Triple layer pipe with fiberglass added to middle layer

Applications:



Code	\varnothing	SDR	Pack. Qty	Weight lb/ft	ND	S min	Di
SDR 11							
27TNIRRF4011	1 ¼"	11	200	0.29	1 ¼" => 40 mm	0.15	1.28
27TNIRRF5011	1 ½"	11	100	0.45	1 ½" => 50 mm	0.18	1.61
27TNIRRF6311	2"	11	80	0.70	2" => 63 mm	0.23	2.02
27TNIRRF7511	2 ½"	11	60	0.97	2 ½" => 75 mm	0.27	2.42
27TNIRRF9011	3"	11	40	1.40	3" => 90 mm	0.32	2.90
27TNIRRF11011	4"	11	40	2.08	4" => 110 mm	0.39	3.54
27TNIRRF12511	5"	11	20	2.70	5" => 125 mm	0.45	4.02
27TNIRRF16011	6"	11	20	4.37	6" => 160 mm	0.57	5.15



NIRON MULTI CLIMA PP-RCT PIPE

Pipe structure: Multilayer pipe

Material: PP-RCT + Fiberglass

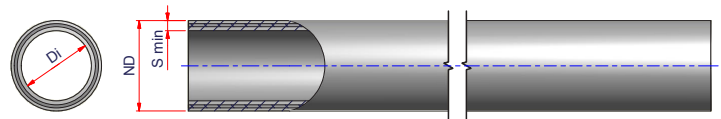
Color: Grey

Range: $\varnothing\frac{1}{2}'' \div \varnothing14''$

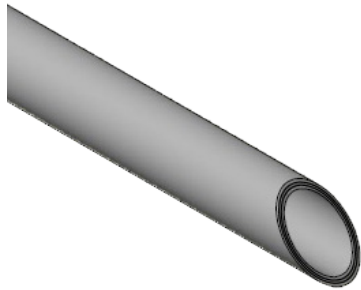
Packaging: Straight length 20 ft

Notes: Triple layer pipe with fiberglass added to middle layer

Applications:



Code	\varnothing	SDR	Pack. Qty	Weight lb/ft	ND	S min	Di
SDR 7.3							
27TNIRCL2073	$\frac{1}{2}''$	7.3	500	0.11	$\frac{1}{2}'' \Rightarrow 20 \text{ mm}$	0.11	0.57
27TNIRCL2573	$\frac{3}{4}''$	7.3	500	0.17	$\frac{3}{4}'' \Rightarrow 25 \text{ mm}$	0.14	0.71
27TNIRCL3273	1"	7.3	300	0.27	1" $\Rightarrow 32 \text{ mm}$	0.17	0.91
27TNIRCL4073	1 $\frac{1}{4}''$	7.3	200	0.50	1 $\frac{1}{4}'' \Rightarrow 40 \text{ mm}$	0.22	1.14
27TNIRCL5073	1 $\frac{1}{2}''$	7.3	100	0.78	1 $\frac{1}{2}'' \Rightarrow 50 \text{ mm}$	0.27	1.43
27TNIRCL6373	2"	7.3	80	1.21	2" $\Rightarrow 63 \text{ mm}$	0.34	1.80
27TNIRCL7573	2 $\frac{1}{2}''$	7.3	60	1.72	2 $\frac{1}{2}'' \Rightarrow 75 \text{ mm}$	0.41	2.14
27TNIRCL9073	3"	7.3	40	2.46	3" $\Rightarrow 90 \text{ mm}$	0.48	2.57
27TNIRCL11073	4"	7.3	40	3.69	4" $\Rightarrow 110 \text{ mm}$	0.59	3.14
27TNIRCL12573	5"	7.3	20	4.72	5" $\Rightarrow 125 \text{ mm}$	0.67	3.57
27TNIRCL16073	6"	7.3	20	7.67	6" $\Rightarrow 160 \text{ mm}$	0.86	4.57
27TNIRCL20073	8"	7.3	20	10.43	8" $\Rightarrow 200 \text{ mm}$	1.08	5.72
27TNIRCL25073	10"	7.3	20	16.33	10" $\Rightarrow 250 \text{ mm}$	1.35	7.15
27TNIRCL31573	12"	7.3	20	25.70	12" $\Rightarrow 315 \text{ mm}$	1.70	9.00
27TNIRCL35573	14"	7.3	20	32.34	14" $\Rightarrow 355 \text{ mm}$	1.91	10.16



NIRON MULTI CLIMA PP-RCT PIPE

Pipe structure: Multilayer pipe

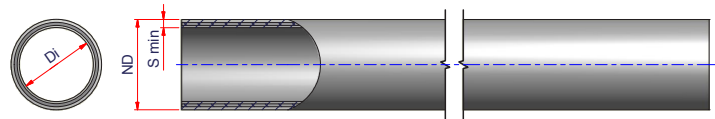
Material: PP-RCT + Fiberglass

Color: Grey

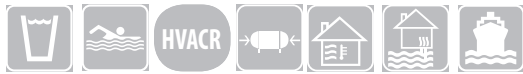
Range: $\varnothing 1''$ (SDR 9) - $\varnothing 1 \frac{1}{4}''$ ÷ $\varnothing 16''$ (SDR11)

Packaging: Straight length 20 ft

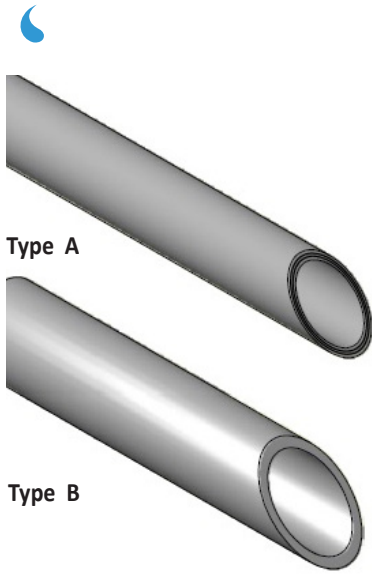
Notes: Triple layer pipe with fiberglass added to middle layer



Applications:



Code	\varnothing	SDR	Pack. Qty	Weight lb/ft	ND	S min	Di
SDR 9							
27TNIRCL329	1"	9	300	0.22	1" => 32 mm	0.14	0.98
SDR11							
27TNIRCL4011	1 ¼"	11	200	0.30	1 ¼" => 40 mm	0.15	1.28
27TNIRCL5011	1 ½"	11	200	0.46	1 ½" => 50 mm	0.18	1.61
27TNIRCL6311	2"	11	80	0.71	2" => 63 mm	0.23	2.02
27TNIRCL7511	2 ½"	11	60	0.99	2 ½" => 75 mm	0.27	2.42
27TNIRCL9011	3"	11	40	1.42	3" => 90 mm	0.32	2.90
27TNIRCL11011	4"	11	20	2.12	4" => 110 mm	0.39	3.54
27TNIRCL12511	5"	11	20	2.65	5" => 125 mm	0.45	4.02
27TNIRCL16011	6"	11	20	4.45	6" => 160 mm	0.57	5.15
27TNIRCL20011	8"	11	20	6.94	8" => 200 mm	0.72	6.44
27TNIRCL25011	10"	11	20	10.71	10" => 250 mm	0.89	8.06
27TNIRCL31511	12"	11	20	16.93	12" => 315 mm	1.13	10.15
27TNIRCL35511	14"	11	20	21.46	14" => 355 mm	1.27	11.44
27TNIRCL40011	16"	11	20	27.09	16" => 400 mm	1.43	12.89



NIRON MULTI CLIMA PP-RCT PIPE

Pipe structure: Multilayer pipe

Material: PP-RCT + Fiberglass

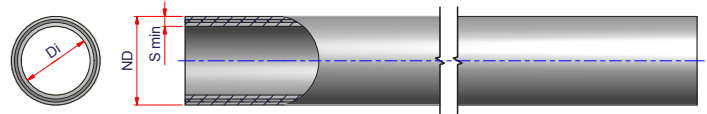
Color: Grey

Range: $\varnothing 2'' \div \varnothing 24''$

Packaging: Straight length 20 ft

Notes: Type A - Triple layer pipe with fiberglass added to middle layer .

Type B - Two layer pipe with fiberglass added to inner layer



Applications:



Code	Type	\varnothing	SDR	Pack. Qty	Weight lb/ft	ND	S min	Di
SDR17								
27TNIRCL6317	A	2"	17	80	0.48	2" => 63mm	0.15	2.18
27TNIRCL7517	A	2½"	17	60	0.69	2½" => 75mm	0.18	2.60
27TNIRCL9017	A	3"	17	40	0.98	3" => 90mm	0.21	3.12
27TNIRCL11017	A	4"	17	20	1.45	4" => 110mm	0.26	3.81
27TNIRCL12517	A	5"	17	20	1.86	5" => 125mm	0.29	4.34
27TNIRCL16017	A	6"	17	20	3.04	6" => 160 mm	0.37	5.55
27TNIRCL20017	A	8"	17	20	4.74	8" => 200 mm	0.47	6.94
27TNIRCL25017	A	10"	17	20	7.32	10" => 250 mm	0.58	8.68
27TNIRCL31517	A	12"	17	20	11.60	12" => 315 mm	0.74	10.93
27TNIRCL35517	A	14"	17	20	14.67	14" => 355 mm	0.83	11.43
27TNIRCL40017	A	16"	17	20	18.55	16" => 400 mm	0.93	12.31
27TNIRCL45017	B	18"	17	20	23.41	18" => 450 mm	1.05	15.61
27TNIRCL50017	B	20"	17	20	28.83	20" => 500 mm	1.17	17.35
27TNIRCL56017	B	22"	17	20	35.97	22" => 560 mm	1.31	19.43
27TNIRCL63017	B	24"	17	20	45.43	24" => 630 mm	1.47	21.86



NIRON MULTI CLIMA11 DARK PP-RCT PIPE UV RAY BARRIER

Pipe structure: Multilayer pipe with UV ray protection

Material: PP-RCT + Fiberglass - HDPE Cover

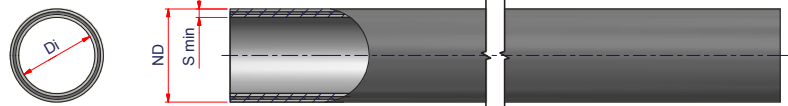
Color: Grey - Black cover

Range: $\varnothing 1'' \div \varnothing 16''$

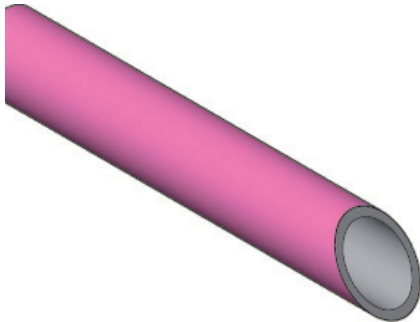
Packaging: Straight length 20 ft

Notes: Four layer pipe with fiberglass added to central layer

Applications:



Code	\varnothing	SDR	Pack. Qty	Weight lb/ft	ND	S min	Di
SDR11							
27TNIRDACL3211	1"	11	300	0.20	1" => 32 mm	0.11 + 0.004 HDPE	1.02
27TNIRDACL4011	1 ¼"	11	200	0.30	1 ¼" => 40 mm	0.15 + 0.004 HDPE	1.28
27TNIRDACL5011	1 ½"	11	100	0.46	1 ½" => 50 mm	0.18 + 0.004 HDPE	1.60
27TNIRDACL6311	2"	11	80	0.72	2" => 63 mm	0.23 + 0.004 HDPE	2.02
27TNIRDACL7511	2 ½"	11	60	0.99	2 ½" => 75 mm	0.27 + 0.004 HDPE	2.41
27TNIRDACL9011	3"	11	40	1.42	3" => 90 mm	0.32 + 0.004 HDPE	2.89
27TNIRDACL11011	4"	11	40	2.12	4" => 110 mm	0.39 + 0.004 HDPE	3.54
27TNIRDACL12511	5"	11	20	2.74	5" => 125 mm	0.45 + 0.004 HDPE	4.02
27TNIRDACL16011	6"	11	20	4.42	6" => 160 mm	0.57 + 0.004 HDPE	5.14
27TNIRDACL20011	8"	11	20	6.85	8" => 200 mm	0.72 + 0.004 HDPE	6.43
27TNIRDACL25011	10"	11	20	10.17	10" => 250 mm	0.89 + 0.004 HDPE	8.05
27TNIRDACL31511	12"	11	20	16.68	12" => 315 mm	1.13 + 0.004 HDPE	10.14
27TNIRDACL35511	14"	11	20	21.08	14" => 355 mm	1.27 + 0.004 HDPE	11.43
27TNIRDACL40011	16"	11	20	26.69	16" => 400 mm	1.43 + 0.004 HDPE	12.88



NIRON FULL PURPLE PP-RCT PIPE

Pipe structure: Monolayer pipe

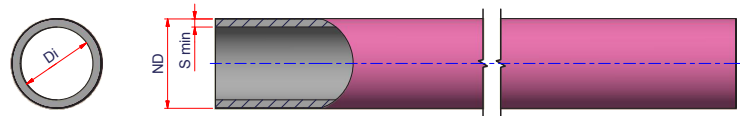
Material: PP-RCT + Purple layer

Color: Grey with external Purple layer

Range: $\varnothing 1/2'' \div \varnothing 10''$

Packaging: Straight length 20 ft

Applications:

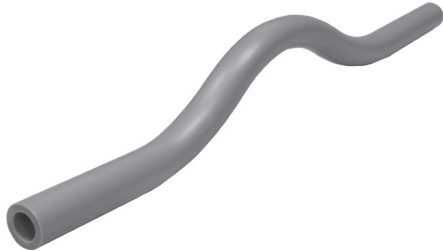


Code	\varnothing	SDR	Pack. Qty	Weight lb/ft	ND	S min	Di
SDR 7.3							
27TNIRV2073	1/2"	7.3	500	0.10	1/2" => 20 mm	0.11	0.57
27TNIRV2573	3/4"	7.3	500	0.15	3/4" => 25 mm	0.14	0.71
SDR 17							
27TNIRV3211	1"	11	300	0.17	1" => 32 mm	0.12	1.02
27TNIRV4011	1 1/4"	11	200	0.27	1 1/4" => 40 mm	0.15	1.28
27TNIRV5011	1 1/2"	11	100	0.42	1 1/2" => 50 mm	0.18	1.61
27TNIRV6311	2"	11	80	0.67	2" => 63 mm	0.23	2.02
27TNIRV7511	2 1/2"	11	60	0.92	2 1/2" => 75 mm	0.27	2.42
27TNIRV9011	3"	11	40	1.34	3" => 90 mm	0.32	2.90
27TNIRV11011	4"	11	40	1.99	4" => 110 mm	0.39	3.54
27TNIRV12511	5"	11	20	2.58	5" => 125 mm	0.45	4.02
27TNIRV16011	6"	11	20	4.18	6" => 160 mm	0.57	5.15
27TNIRV20011	8"	11	20	6.56	8" => 200 mm	0.72	6.44
27TNIRV25011	10"	11	20	10.08	10" => 250 mm	0.89	8.06

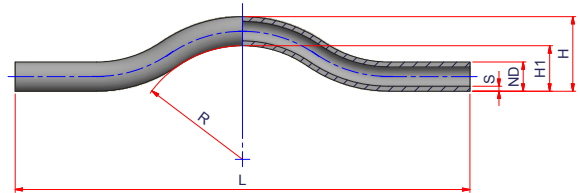
2. PP-RCT SOCKET & BUTT FUSION FITTINGS



CROSSOVER PIPE - PLAIN END



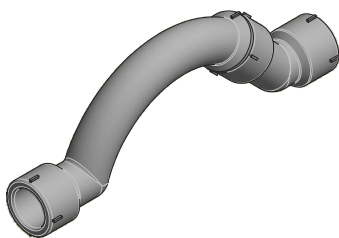
Material: PP-RCT
Range: $\varnothing 1/2'' \div 1''$



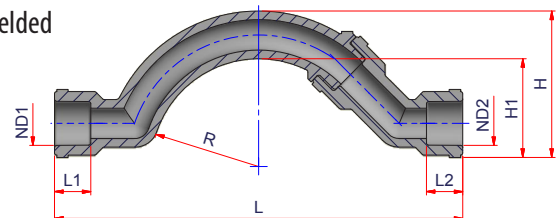
Code	\varnothing	Carton Qty	Weight lb/p.	Volume ft ³ /p.	ND	S	R	L	H1	H
27NSOR20	1/2"	50	0.17	0.0120	1/2" => 20 mm	0.13	3.94	15.35	1.54	2.32
27NSOR25	3/4"	35	0.26	0.0173	3/4" => 25 mm	0.17	3.84	15.35	1.54	2.52
27NSOR32	1"	20	0.41	0.0303	1" => 32 mm	0.21	3.70	15.35	1.54	2.80



COMPACT CROSS OVER F/F - SOCKET FUSION



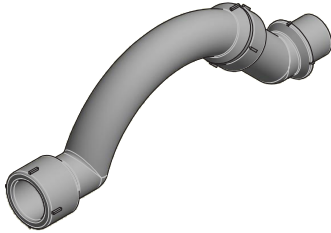
Material: PP-RCT
Range: $\varnothing 1/2'' \div 3/4''$
Notes: Supplied in two pieces to be welded



Code	\varnothing	Carton Qty	Weight lb/p.	Volume ft ³ /p.	ND1	ND2	R	L1	L2	L	H1	H
27NSOFF20	1/2"	60	0.10	0.0102	1/2" => 20 mm	1/2" => 20 mm	1.87	0.63	0.63	7.09	1.69	2.52
27NSOFF25	3/4"	30	0.19	0.0197	3/4" => 25 mm	3/4" => 25 mm	1.79	0.67	0.67	7.17	1.61	2.60



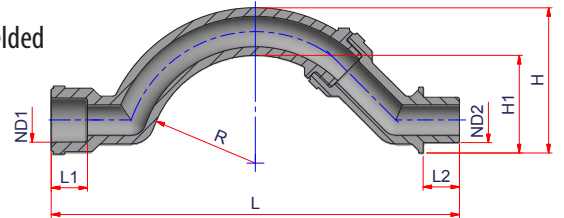
COMPACT CROSS OVER F/M - SOCKET FUSION



Material: PP-RCT

Range: $\varnothing 1/2'' \div 3/4''$

Notes: Supplied in two pieces to be welded



Code	\varnothing	Carton Qty	Weight lb/p.	Volume ft ³ /p.	ND1	ND1	R	L1	L2	L	H1	H
27NSOFM20	1/2"	60	0.10	0.0098	1/2" = > 20 mm	1/2" = > 20 mm	1.87	0.63	0.63	7.07	1.69	2.52
27NSOFM25	3/4"	30	0.10	0.0197	3/4" = > 25 mm	3/4" = > 25 mm	1.79	0.67	0.67	7.17	1.61	2.60

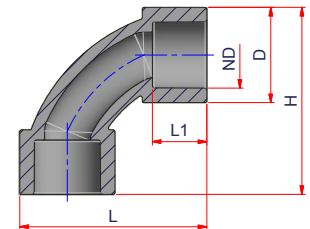


LONG RADIUS 90° ELBOW - SOCKET FUSION



Material: PP-RCT

Range: $\varnothing 1/2'' \div 3/4''$



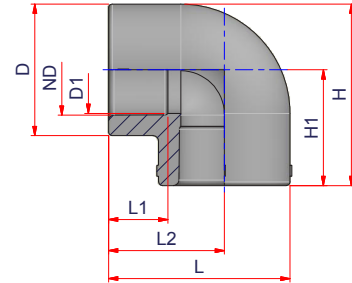
Code	\varnothing	Carton Qty	Weight lb/p.	Volume ft ³ /p.	ND	D	L1	L	H
27NCLR20	1/2"	70	0.05	0.0045	1/2" = > 20 mm	1.10	0.63	2.17	2.17
27NCLR25	3/4"	50	0.07	0.0067	3/4" = > 25 mm	1.34	0.63	2.56	2.56



90° ELBOW - SOCKET FUSION

Material: PP-RCT

Range: $\varnothing 1/2'' \div 5''$

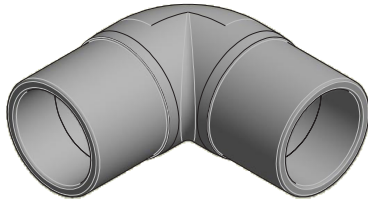


Code	\varnothing	Carton Qty	Weight lb/p.	Volume ft ³ /p.	ND	D1	D	L1	L2	L	H1	H
27NG20	1/2"	200	0.04	0.0028	1/2" = > 20 mm	0.65	1.14	0.63	1.06	1.64	1.06	1.63
27NG25	3/4"	100	0.07	0.0060	3/4" = > 25 mm	0.93	1.40	0.63	1.22	1.93	1.22	1.93
27NG32	1"	50	0.14	0.0120	1" = > 32 mm	1.18	1.81	0.79	1.46	2.36	1.46	2.36
27NG40	1 1/4"	40	0.22	0.0148	1 1/4" = > 40 mm	1.42	2.21	0.87	1.69	2.80	1.69	2.79
27NG50	1 1/2"	20	0.41	0.0296	1 1/2" = > 50 mm	1.81	2.76	0.98	2.01	3.39	2.01	3.39
27NG63	2"	25	0.72	0.0508	2" = > 63 mm	2.32	3.47	1.14	2.44	4.17	2.44	4.17
27NG75	2 1/2"	15	1.02	0.0847	2 1/2" = > 75 mm	2.76	3.98	1.30	2.87	4.86	2.87	4.86
27NG90	3"	8	1.78	0.1592	3" = > 90 mm	3.31	4.88	1.46	3.35	5.79	3.35	5.79
27NG110	4"	4	3.03	0.3178	4" = > 110 mm	3.94	5.75	1.69	3.94	6.81	3.94	6.81
27NG125	5"	4	4.51	0.1592	5" = > 125 mm	4.45	6.50	1.87	4.92	8.17	4.92	8.17



90° ELBOW - LONG SPIGOT

(A)

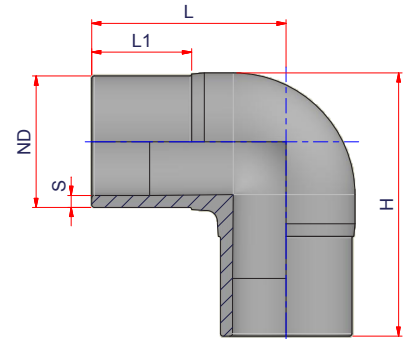


Material: PP-RCT

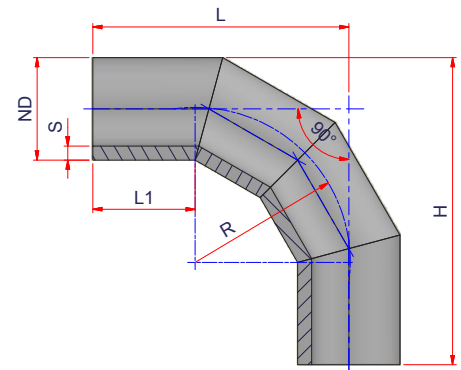
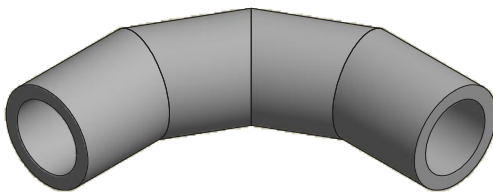
Range: \varnothing 2" ÷ 14"

Notes: Type A - Butt welding fitting

Type B - Segmented fitting



(B)



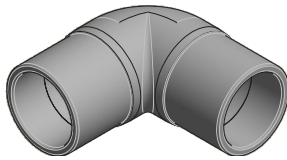
SDR 7.3

Code	\varnothing	Type	Carton Qty	Weight lb/p.	Volume ft ³ /p.	ND	S	L1	L	H	R
27NG907363MM	2"	A	-	0.70	-	2" => 63 mm	0.34	2.76	4.72	6.06	-
27NG907375MM	2 1/2"	A	-	1.33	-	2 1/2" => 75 mm	0.41	2.76	4.72	6.38	-
27NG907390MM	3"	A	-	1.64	-	3" => 90 mm	0.48	3.50	5.75	7.76	-
27NG9073110MM	4"	A	-	3.58	-	4" => 110 mm	0.59	3.43	6.10	8.37	-
27NG9073125MM	5"	A	-	5.25	-	5" => 125 mm	0.67	3.74	7.28	9.86	-
27NG9073160MM	6"	A	55	7.30	-	6" => 160 mm	0.86	3.98	8.27	11.56	-
27NG9073200MMB	8"	B	30	13.31	-	8" => 200 mm	1.08	5.91	17.72	21.65	11.81
27NG9073250MMB	10"	B	6	22.30	-	10" => 250 mm	1.35	9.84	24.61	29.53	16.54
27NG9073315MMB	12"	B	-	39.93	-	12" => 315 mm	1.70	11.81	30.43	36.63	18.62
27NG9073355MMB	14"	B	-	53.24	-	14" => 355 mm	1.91	11.81	32.80	39.78	20.98



90° ELBOW - LONG SPIGOT

(A)



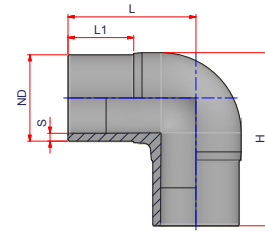
Material: PP-RCT

Range: \varnothing 2" ÷ 20"

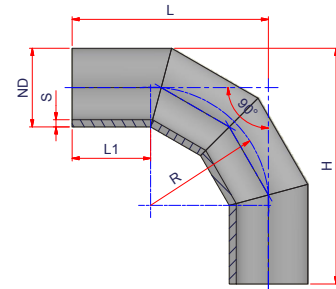
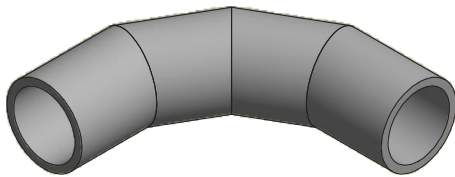
Notes: Type A - Butt welding fitting

Type B - Segmented fitting

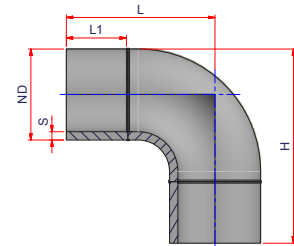
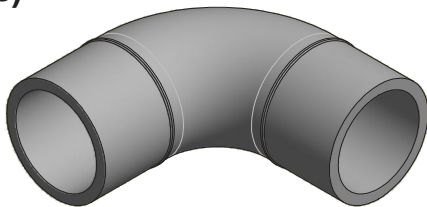
Type C - Injected Alongated



(B)



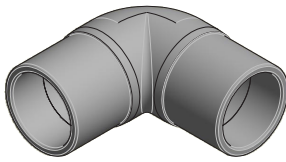
(C)



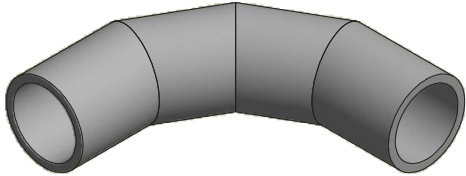
SDR 11

Code	\varnothing	Type	Carton Qty	Weight lb/p.	Volume ft ³ /p.	ND	S	L1	L	H	R
27NG901163MM	2"	A	50	0.64	-	2" = > 63 mm	0.23	2.76	4.72	6.06	-
27NG901175MM	2 1/2"	A	1	1.21	-	2 1/2" = > 75 mm	0.27	2.76	4.72	6.73	-
27NG901190MM	3"	A	24	1.49	0.1176	3" = > 90 mm	0.32	3.50	5.75	7.76	-
27NG9011110MM	4"	A	15	2.22	0.1882	4" = > 110 mm	0.39	3.43	6.10	8.37	-
27NG9011125MM	5"	A	24	4.77	0.3178	5" = > 125 mm	0.45	3.74	7.28	9.86	-
27NG9011160MM	6"	A	55	6.64	0.5795	6" = > 160 mm	0.58	3.98	8.27	11.56	-
27NG9011200MM	8"	A	30	12.10	1.0622	8" = > 200 mm	0.72	4.57	9.84	13.94	-
27NG9011250MM	10"	A	7	20.27	2.5670	10" = > 250 mm	0.89	5.31	12.00	17.13	-
27NG9011315MMA	12"	A	1	-	-	12" = > 315 mm	1.13	-	-	-	-
27NG9011315MMB	12"	B	1	36.30	-	12" = > 315 mm	1.13	11.81	30.43	36.63	18.62
27NG9011355MMB	14"	B	1	48.40	-	14" = > 355 mm	1.27	11.81	32.80	39.78	20.98
27NG9011355MMC	14"	C	1	-	-	14" = > 355 mm	1.27	8.27	21.65	28.64	-
27NG9011400MMB	16"	B	1	60.50	-	16" = > 400 mm	1.43	11.81	35.43	43.31	23.62
27NG9011400MMC	16"	C	1	-	-	16" = > 400 mm	1.43	11.81	25.39	33.27	-
27NG9011450MMB	18"	B	1	72.60	-	18" = > 450 mm	1.61	11.81	38.39	47.24	26.57
27NG9011450MMC	18"	C	1	-	-	18" = > 450 mm	1.61	11.81	29.33	38.19	-
27NG9011500MMB	20"	B	1	84.70	-	20" = > 500 mm	1.79	13.78	43.31	53.15	29.53

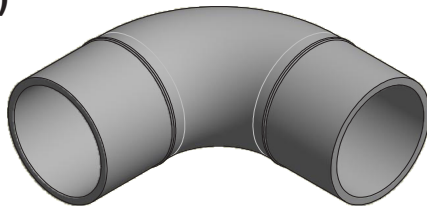
(A)



(B)



(C)



90° ELBOW - LONG SPIGOT

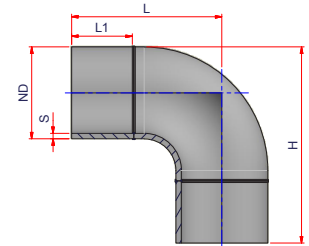
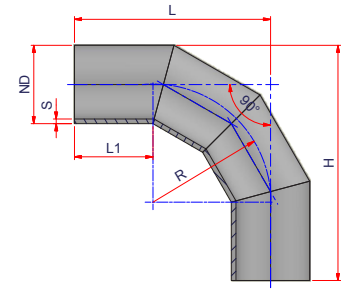
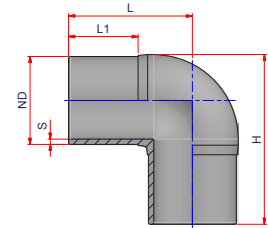
Material: PP-RCT

Range: $\varnothing 2'' \div 24''$

Notes: Type A - Butt welding fitting

Type B - Segmented fitting

Type C - Injected Elongated

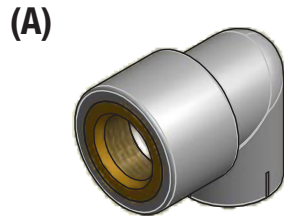


SDR 17

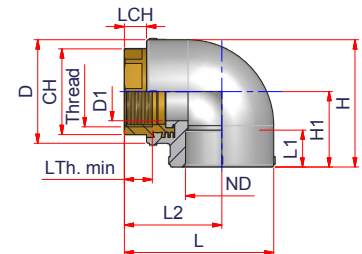
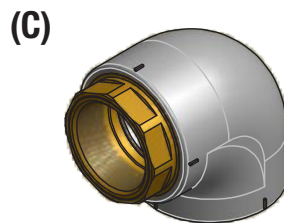
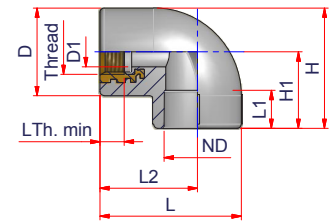
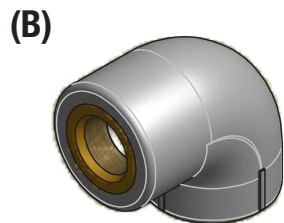
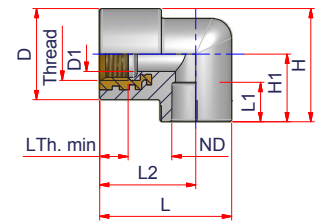
Code	\varnothing	Type	Carton Qty	Weight lb/p.	Volume ft ³ /p.	ND	S	L1	L	H	R
27NG901763MM	2"	A	10	0.55	-	2" => 63 mm	0.15	2.76	4.72	6.06	-
27NG901775MM	2 1/2"	A	6	0.84	-	2 1/2" => 75 mm	0.18	2.95	4.72	6.38	-
27NG901790MM	3"	A	20	1.18	0.1413	3" => 90 mm	0.21	3.50	5.75	7.76	-
27NG9017110MM	4"	A	14	1.78	0.2017	4" => 110 mm	0.26	3.43	6.10	8.37	-
27NG9017125MM	5"	A	24	3.96	-	5" => 125 mm	0.29	3.74	7.28	9.86	-
27NG9017160MM	6"	A	55	4.88	0.4990	6" => 160 mm	0.37	3.98	8.27	11.56	-
27NG9017200MM	8"	A	16	9.42	-	8" => 200 mm	0.47	4.57	9.84	13.94	-
27NG9017250MM	10"	A	15	17.60	-	10" => 250 mm	0.58	5.31	12.00	17.13	-
27NG9017315MMA	12"	A	-	-	-	12" => 315 mm	0.74	-	-	-	-
27NG9017315MMB	12"	B	4	33.00	-	12" => 315 mm	0.74	11.81	30.43	36.63	18.62
27NG9017355MMB	14"	B	1	44.00	-	14" => 355 mm	0.83	11.81	32.80	39.78	20.98
27NG9017355MMC	14"	C	1	88.00	-	14" => 355 mm	0.83	8.27	21.65	28.64	-
27NG9017400MMB	16"	B	1	55.00	-	16" => 400 mm	0.93	11.81	35.43	43.31	23.62
27NG9017400MMC	16"	C	1	110.00	-	16" => 400 mm	0.93	11.81	25.20	33.07	-
27NG9017450MMB	18"	B	1	66.00	-	18" => 450 mm	1.05	11.81	38.39	46.26	26.57
27NG9017450MMC	18"	C	-	-	-	18" => 450 mm	1.05	11.81	29.33	38.19	-
27NG9017500MMB	20"	B	1	77.00	-	20" => 500 mm	1.17	13.78	43.31	53.15	29.53
27NG9017560MMB	22"	B	1	-	-	22" => 560 mm	1.31	13.78	46.85	57.87	33.07
27NG9017630MMB	24"	B	1	-	-	24" => 630 mm	1.47	13.78	50.98	63.39	37.20



FEMALE THREADED 90° ELBOW W/NPT LEAD FREE BRASS - SOCKET FUSION



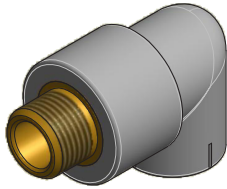
Material: PP-RCT - Brass
Range: \varnothing 1/2" x 1/2" NPT ÷ 2" x 2" NPT



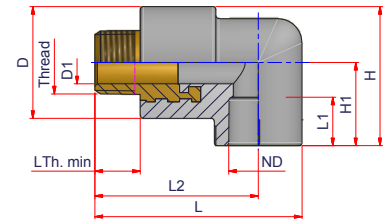
Code	ø	Type	Carton Qty	Weight lb/p.	Volume ft ³ /p.	ND	D1	D	Thread	L							
										Thread min	L1	L2	L	H1	H	CH	LCH
27NGF2012NPT	1/2" x 1/2" NPT	B	60	0.16	0.0049	1/2" => 20mm	0.55	1.46	1/2" NPT	0.53	0.63	1.54	2.11	1.08	1.81	-	-
27NGF2512NPT	3/4" x 1/2" NPT	A	50	0.18	0.0060	3/4" => 25mm	0.55	1.46	1/2" NPT	0.53	0.67	1.54	2.22	1.20	1.93	-	-
27NGF2534NPT	3/4" x 3/4" NPT	A	40	0.25	0.0074	3/4" => 25mm	0.73	1.65	3/4" NPT	0.55	0.67	1.54	2.22	1.20	2.03	-	-
27NGF3212NPT	1" x 1/2" NPT	B	30	0.22	0.0098	1" => 32mm	0.55	1.65	1/2" NPT	0.53	0.71	1.81	2.64	1.42	2.24	-	-
27NGF3234NPT	1" x 3/4" NPT	B	35	0.27	0.0084	1" => 32mm	0.73	1.65	3/4" NPT	0.55	0.71	1.81	2.64	1.42	2.24	-	-
27NGF321NPT	1" x 1" NPT	B	20	0.42	0.0144	1" => 32mm	0.95	2.13	1" NPT	0.66	0.79	1.81	2.64	1.85	2.91	-	-
27NGF401NPT	1 1/4" x 1" NPT	B	18	0.49	0.0162	1 1/4" => 40mm	0.95	2.24	1" NPT	0.66	0.79	2.05	3.11	1.69	1.84	-	-
27NGF50114NPT	1 1/2" x 1 1/4" NPT	C	10	0.09	0.0339	1 1/2" => 50mm	1.30	2.76	1 1/4" NPT	0.68	0.98	2.60	3.98	2.01	3.39	1.81	0.59
27NGF50112NPT	1 1/2" x 1 1/2" NPT	C	10	1.10	0.0293	1 1/2" => 50mm	1.56	2.76	1 1/2" NPT	0.68	0.98	2.60	3.98	2.01	3.39	2.17	0.59
27NGF63112NPT	2" x 1" NPT	C	4	1.65	0.0847	2" => 63mm	1.56	3.47	1 1/2" NPT	0.68	1.14	3.03	4.76	2.44	4.17	2.17	0.59
27NGF632NPT	2" x 2" NPT	C	4	1.65	0.0731	2" => 63mm	1.97	3.47	2" NPT	0.70	1.14	3.23	4.96	2.44	4.17	2.55	0.79



MALE THREADED 90° ELBOW W/NPT LEAD FREE BRASS - SOCKET FUSION



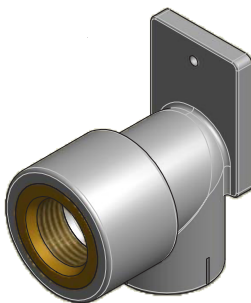
Material: PP-RCT-Brass
Range: $\varnothing 1/2'' \times 1/2''$ NPT ÷ $1'' \times 1''$ NPT



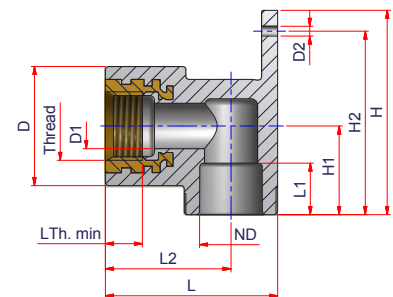
Code	\varnothing	Carton Qty	Weight lb/p.	Volume ft ³ /p.	ND	D1	D	Thread	L Thread min	L1	L2	L	H1	H
27NGM2012NPT	$1/2'' \times 1/2''$ NPT	50	0.24	0.0254	$1/2'' = > 20$ mm	0.55	1.46	$1/2''$ NPT	0.53	0.63	2.13	2.70	1.08	1.81
27NGM2512NPT	$3/4'' \times 1/2''$ NPT	50	0.24	0.0067	$3/4'' = > 25$ mm	0.55	1.46	$1/2''$ NPT	0.53	0.67	2.13	2.82	1.20	1.93
27NGM2534NPT	$3/4'' \times 3/4''$ NPT	40	0.34	0.0074	$3/4'' = > 25$ mm	0.73	1.65	$3/4''$ NPT	0.55	0.67	2.13	2.89	1.20	2.03
27NGM3212NPT	$1'' \times 1/2''$ NPT	30	0.30	0.0099	$1'' = > 32$ mm	0.55	1.65	$1/2''$ NPT	0.53	0.71	2.40	3.23	1.42	2.24
27NGM3234NPT	$1'' \times 3/4''$ NPT	30	0.35	0.0099	$1'' = > 32$ mm	0.73	1.65	$3/4''$ NPT	0.55	0.71	2.40	3.31	1.42	2.24
27NGM321NPT	$1'' \times 1''$ NPT	20	0.66	0.0144	$1'' = > 32$ mm	0.95	2.13	$1''$ NPT	0.68	0.79	2.56	3.41	1.85	2.91



FEMALE THREADED BACK PLATE 90° W/NPT LEAD FREE BRASS - SOCKET FUSION



Material: PP-RCT-Brass
Range: $\varnothing 1/2'' \times 1/2''$ NPT



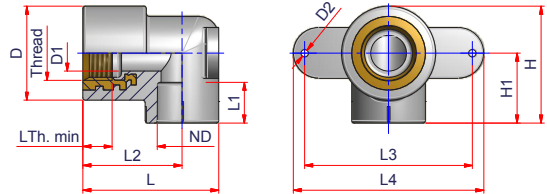
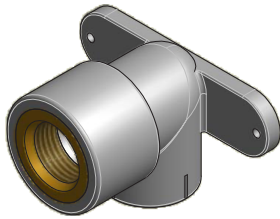
Code	\varnothing	Carton Qty	Weight lb/p.	Volume ft ³ /p.	ND	D1	D2	D	Thread	L Thread min	L1	L2	L	H1	H2	H
27NTER2012NPT	$1/2'' \times 1/2''$ NPT	40	0.18	0.0074	$1/2'' = > 20$ mm	0.55	0.12	1.46	$1/2''$ NPT	0.53	0.63	1.54	2.11	1.08	2.24	2.50



FEMALE THREADED WINGED 90° ELBOW W/NPT BRASS - SOCKET FUSION

Material: PP-RCT-Brass

Range: $\varnothing 1/2'' \times 3/8''$ NPT ÷ $1/2'' \times 1/2''$ NPT



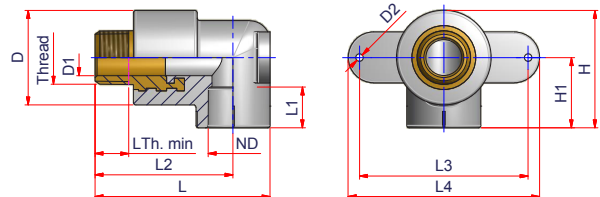
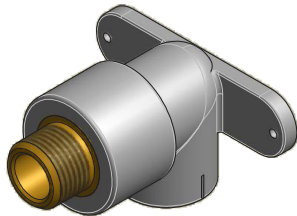
Code	\varnothing	Carton Qty	Weight lb/p.	Volume ft ³ /p.	ND	D1	D2	D	Thread	L							
										Thread min	L1	L2	L3	L4	L	H1	H
27NGTF2038NPT	$1/2'' \times 3/8''$ NPT	40	0.16	0.0084	$1/2'' \Rightarrow > 20\text{mm}$	0.43	0.12	0.43	$3/8''$ NPT	0.41	0.63	1.97	2.60	2.95	2.54	1.08	1.81
27NGTF2012NPT	$1/2'' \times 1/2''$ NPT	40	0.17	0.0074	$1/2'' \Rightarrow > 20\text{mm}$	0.55	0.12	0.55	$1/2''$ NPT	0.53	0.63	2.13	2.60	2.95	2.70	1.08	1.81



MALE THREADED WINGED 90° ELBOW W/NPT LEAD FREE BRASS - SOCKET FUSION

Material: PP-RCT

Range: $\varnothing 1/2'' \times 3/8''$ NPT ÷ $1/2'' \times 1/2''$ NPT



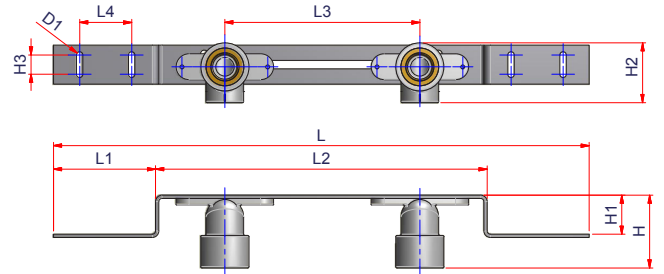
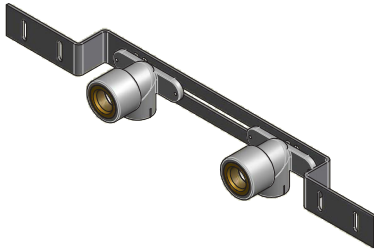
Code	\varnothing	Carton Qty	Weight lb/p.	Volume ft ³ /p.	ND	D1	D2	D	Thread	L							
										Thread min	L1	L2	L3	L4	L	H1	H
27NGTM2038NPT	$1/2'' \times 3/8''$ NPT	40	0.20	0.0084	$1/2'' \Rightarrow > 20\text{mm}$	0.43	0.12	1.46	$3/8''$ NPT	0.41	0.63	1.97	2.60	2.95	2.54	1.08	1.81
27NGTM2012NPT	$1/2'' \times 1/2''$ NPT	40	0.24	0.0084	$1/2'' \Rightarrow > 20\text{mm}$	0.55	0.12	1.46	$1/2''$ NPT	0.53	0.63	2.13	2.60	2.95	2.70	1.08	1.81



MOUNTING UNIT WITH 90° ELBOWS

Material: PP-RCT - Brass - Metal

Range: $\varnothing 1/2" \times 1/2" \text{NPT}$



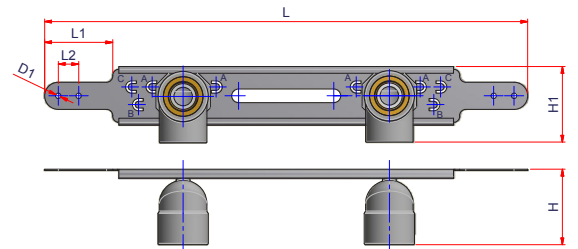
Code	\varnothing	Carton Qty	Weight lb/p.	Volume ft ³ /p.	L1	L2	L3	L4	L	H1	H2	H3	H	D1
27NGVRF2012NPT	$1/2" \times 1/2" \text{NPT}$	12	0.85	0.0505	3.05	10.04	5.91	1.58	16.14	1.18	1.81	0.59	2.21	0.20



TEMPLATE FOR EXTERNAL BATH TAPS

Material: PP-RCT - Brass - Metal

Range: $\varnothing 1/2" \times 1/2" \text{NPT} - 3/4" \times 1/2" \text{NPT}$



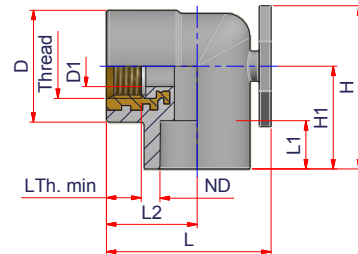
Code	\varnothing	Carton Qty	Weight lb/p.	Volume ft ³ /p.	L1	L2	L	H1	H	D1	A-A	B-A	B-B	C-C
27NGVF2012NPT	$1/2" \times 1/2" \text{NPT}$	40	0.17	0.0505	1.97	0.59	13.94	1.99	2.19	0.160	5.91	6.30	6.69	7.09
27NGVF2512NPT	$3/4" \times 1/2" \text{NPT}$	12	0.70	0.0505	1.97	0.59	13.94	1.99	2.19	0.160	5.91	6.30	6.69	7.09



FEMALE THREADED 90° ELBOW FOR TEMPLATE W/NPT LEAD FREE BRASS



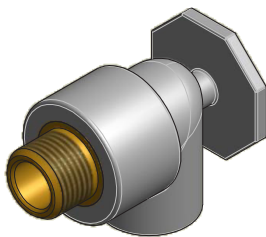
Material: PP-RCT - Brass
Range: $\varnothing 1/2'' \times 3/8''$ NPT - $3/4'' \times 1/2''$ NPT



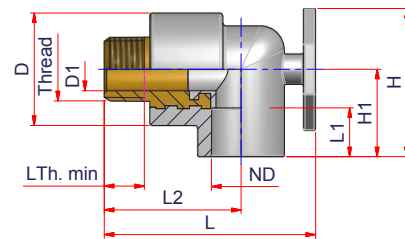
Code	\varnothing	Carton Qty	Weight lb/p.	Volume ft ³ /p.	ND	D1	D	Thread	L Thread min	L1	L2	L	H1	H
27NGOF2012NPT	$1/2'' \times 1/2''$ NPT	50	0.18	0.0067	$1/2'' = > 20$ mm	0.55	1.46	$1/2''$ NPT	0.53	0.63	1.18	2.15	1.12	1.91
27NGOF2512NPT	$3/4'' \times 1/2''$ NPT	40	0.19	0.0084	$3/4'' = > 25$ mm	0.55	1.46	$1/2''$ NPT	0.53	0.63	1.18	2.15	1.34	2.13



MALE THREADED 90° ELBOW FOR TEMPLATE W/NPT LEAD FREE BRASS



Material: PP-RCT - Brass
Range: $\varnothing 1/2'' \times 1/2''$ NPT

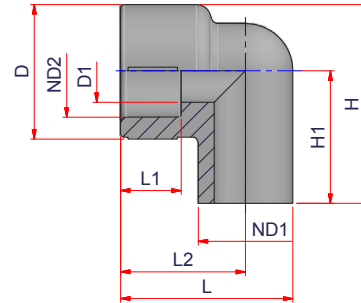


Code	\varnothing	Carton Qty	Weight lb/p.	Volume ft ³ /p.	ND	D1	D	Thread	L Thread min	L1	L2	L	H1	H
27NGOM2012NPT	$1/2'' \times 1/2''$ NPT	40	0.24	0.0084	$1/2'' = > 20$ mm	0.55	1.46	$1/2''$ NPT	0.53	0.63	1.77	2.74	1.12	1.91

STREET 90° ELBOW - SOCKET FUSION



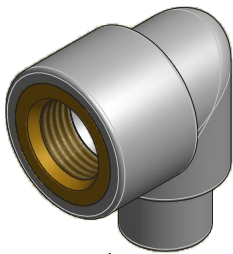
Material: PP-RCT
Range: $\varnothing 1/2" \div 1 1/4"$



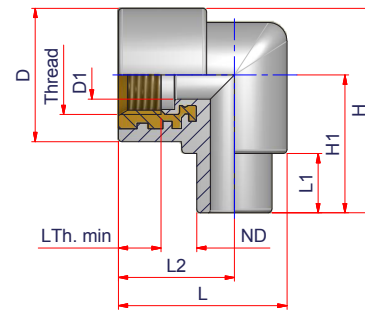
Code	\varnothing	Carton Qty	Weight lb/p.	Volume ft ³ /p.	ND1	ND2	D1	D	L1	L2	L	H1	H
27NGMF20	1/2" x 1/2"	100	0.03	0.0028	1/2" => 20 mm	1/2" => 20 mm	0.52	1.18	0.63	1.14	1.54	1.12	1.71
27NGMF25	3/4" x 3/4"	75	0.05	0.0038	3/4" => 25 mm	3/4" => 25 mm	0.65	1.38	0.63	1.30	1.79	1.38	2.07
27NGMF32	1" x 1"	70	0.12	0.0084	1" => 32 mm	1" => 32 mm	0.95	1.69	0.79	1.34	1.97	1.87	2.70
27NGMF40	1 1/4" x 1 1/4"	50	0.18	0.012	1 1/4" => 40 mm	1 1/4" => 40 mm	0.95	1.69	0.49	1.34	1.97	1.87	2.70



FEMALE THREADED STREET 90° ELBOW W/NPT LEAD FREE BRASS



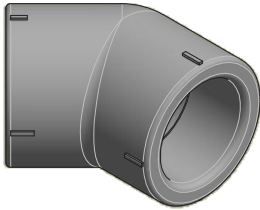
Material: PP-RCT-Brass
Range: $\varnothing 1/2" \times 1/2" \text{NPT}$



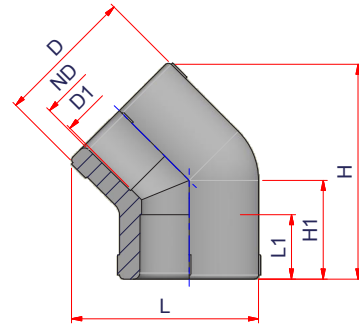
Code	\varnothing	Carton Qty	Weight lb/p.	Volume ft ³ /p.	ND	D1	D	Thread	L Thread min	L1	L2	L	H1	H
27NGMFF2012NPT	1/2" x 1/2" NPT	70	0.17	0.0045	1/2" => 20 mm	0.52	1.14	1/2" NPT	0.53	0.63	1.22	1.77	1.46	2.17



45° ELBOW - SOCKET FUSION



Material: PP-RCT
Range: $\varnothing 1/2" \div 5"$



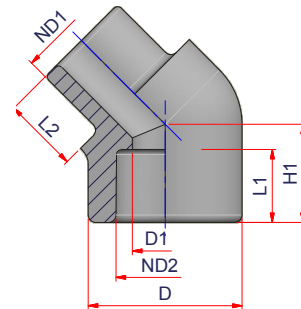
Code	\varnothing	Carton Q.y	Weight lb/p.	Volume ft ³ /p.	ND	D1	D	L1	L	H1	H
27NC4520	1/2"	200	0.04	0.0028	1/2" => 20 mm	0.65	1.14	0.63	1.30	0.85	1.81
27NC4525	3/4"	150	0.05	0.0038	3/4" => 25 mm	0.93	1.34	0.63	1.81	0.97	2.11
27NC4532	1"	40	0.09	0.0074	1" => 32 mm	1.18	1.65	0.79	2.21	1.14	2.52
27NC4540	1 1/4"	24	0.17	0.0123	1 1/4" => 40 mm	1.42	2.09	0.87	2.64	1.26	2.85
27NC4550	1 1/2"	26	0.27	0.0229	1 1/2" => 50 mm	1.87	2.60	0.98	3.29	1.56	3.54
27NC4563	2"	15	0.50	0.0395	2" => 63 mm	2.36	3.27	1.14	4.02	1.77	4.13
27NC4575	2 1/2"	16	0.92	0.0469	2 1/2" => 75 mm	2.76	3.90	1.30	5.10	2.56	5.71
27NC4590	3"	12	1.36	0.1059	3" => 90 mm	3.39	4.86	1.46	5.71	2.24	5.51
27NC45110	4"	2	2.53	0.2966	4" => 110 mm	3.94	5.75	1.69	6.79	2.76	6.67
27NC45125	5"	4	3.25	0.3178	5" => 125 mm	4.45	6.50	1.81	7.64	3.07	7.46



STREET 45° ELBOW - SOCKET FUSION



Material: PP-RCT
Range: $\varnothing 1/2" \div 1"$



Code	\varnothing	Carton Q.y	Weight lb/p.	Volume ft ³ /p.	ND1	ND2	D1	D	L1	L2	H1
27NC45MF20	1/2"	400	-	-	1/2" => 20 mm	1/2" => 20 mm	0.51	1.20	0.57	0.59	0.77
27NC45MF25	3/4"	300	-	-	3/4" => 25 mm	3/4" => 25 mm	0.65	1.36	0.63	0.63	0.85
27NC45MF32	1"	150	-	-	1" => 32 mm	1" => 32 mm	-	-	-	-	-



45° ELBOW - LONG SPIGOT

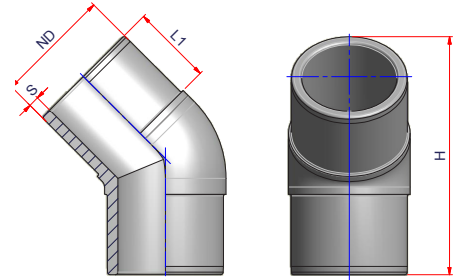
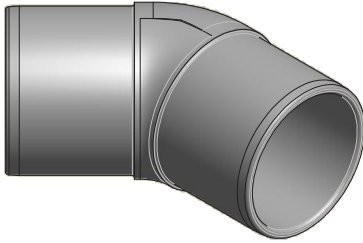
Material: PP-RCT

Range: $\varnothing 2'' \div 14''$

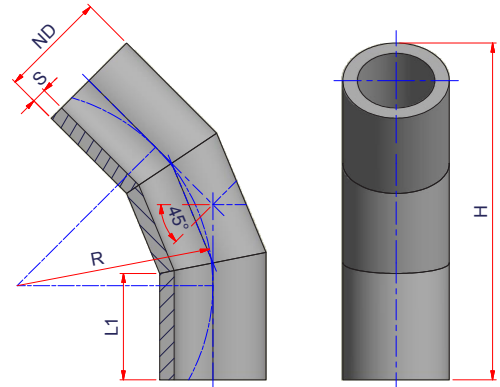
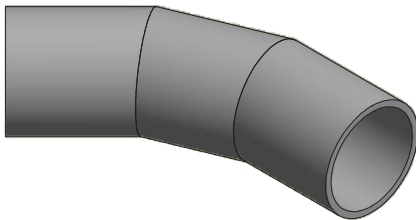
Notes: Type A - Butt welding fitting

Type B - Segmented fitting

(A)



(B)

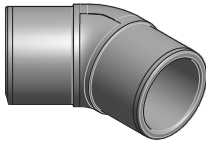


SDR 7.3

Code	\varnothing	Type	Carton Q.y	Weight lb/p.	Volume ft ³ /p.	ND	S	L1	H	R
27NC457363MM	2"	A	60	0.550	-	2" => 63 mm	0.34	2.72	6.89	-
27NC457375MM	2 1/2"	A	-	0.880	-	2 1/2" => 75 mm	0.41	2.87	7.48	-
27NC457390MM	3"	A	22	1.430	-	3" => 90 mm	0.48	3.54	9.25	-
27NC4573110MM	4"	A	15	2.200	-	4" => 110 mm	0.59	3.43	9.53	-
27NC4573125MM	5"	A	4	3.300	-	5" => 125 mm	0.67	3.74	10.41	-
27NC4573160MM	6"	A	-	5.500	-	6" => 160 mm	0.86	4.06	12.24	-
27NC4573200MMB	8"	B	36	10.450	-	8" => 200 mm	1.08	5.91	20.04	11.81
27NC4573250MMB	10"	B	16	19.800	-	10" => 250 mm	1.35	9.84	30.47	14.76
27NC4573315MMB	12"	B	-	26.400	-	12" => 315 mm	1.70	11.81	36.73	18.62
27NC4573355MMB	14"	B	-	33.000	-	14" => 355 mm	1.91	11.81	39.92	20.98



(A)



45° ELBOW - LONG SPIGOT

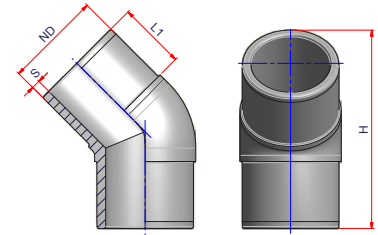
Material: PP-RCT

Range: $\varnothing 2'' \div 20''$

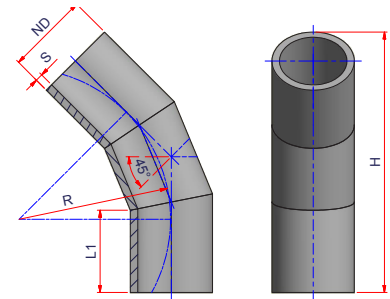
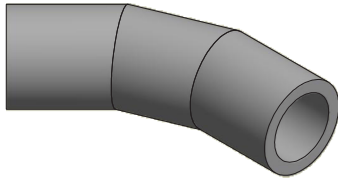
Notes: Type A - Butt welding fitting

Type B - Segmented fitting

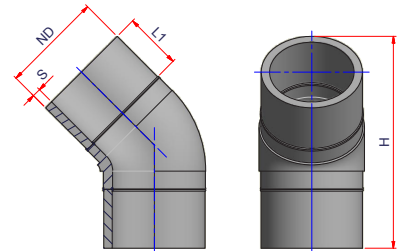
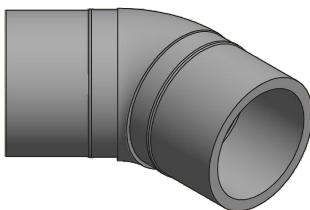
Type C - Injected Alongated



(B)



(C)

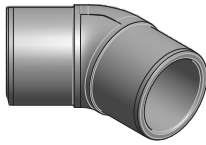


SDR 11

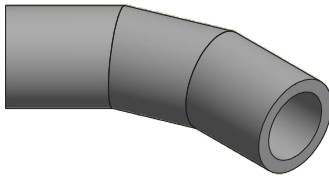
Code	\varnothing	Type	Carton Qty	Weight lb/p.	Volume ft ³ /p.	ND	S	L1	H	R
27NC451163MM	2"	A	60	0.48	0.0469	2" => 63 mm	0.23	2.72	6.89	-
27NC451175MM	2 1/2"	A	60	0.77	0.7700	2 1/2" => 75 mm	0.27	2.87	7.48	-
27NC451190MM	3"	A	22	1.29	0.1285	3" => 90 mm	0.32	3.54	9.25	-
27NC4511110MM	4"	A	12	1.93	0.2355	4" => 110 mm	0.39	3.43	9.53	-
27NC4511125MM	5"	A	32	2.65	0.2383	5" => 125 mm	0.45	3.74	10.41	-
27NC4511160MM	6"	A	15	4.65	0.5085	6" => 160 mm	0.58	4.06	12.24	-
27NC4511200MM	8"	A	18	9.66	0.9983	8" => 200 mm	0.72	4.61	15.83	-
27NC4511250MM	10"	A	12	17.42	1.4973	10" => 250 mm	0.89	5.31	18.19	-
27NC4511315MMA	12"	A	1	-	-	12" => 315 mm	-	-	-	-
27NC4511315MMB	12"	B	9	24.20	-	12" => 315 mm	1.13	11.81	36.73	18.62
27NC4511355MMB	14"	B	1	30.25	-	14" => 355 mm	1.27	11.81	39.92	20.98
27NC4511355MMC	14"	C	1	-	-	14" => 355 mm	1.27	8.27	27.56	-
27NC4511400MMB	16"	B	1	36.30	-	16" => 400 mm	1.43	11.81	42.40	23.62
27NC4511400MMC	16"	C	1	-	-	16" => 400 mm	1.43	11.81	33.86	-
27NC4511450MMB	18"	B	1	55.00	-	18" => 450 mm	1.43	11.81	45.20	26.57
27NC4511450MMC	18"	C	1	-	-	18" => 450 mm	1.61	11.81	37.80	-
27NC4511500MMB	20"	B	1	70.40	-	20" => 500 mm	1.79	13.78	51.38	29.53



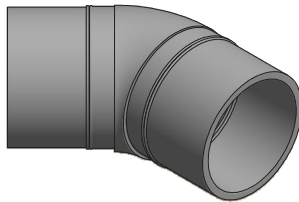
(A)



(B)



(C)



45° ELBOW - LONG SPIGOT

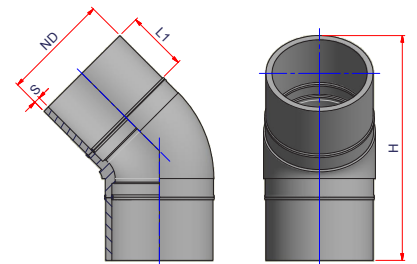
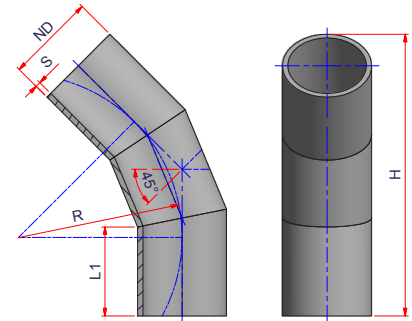
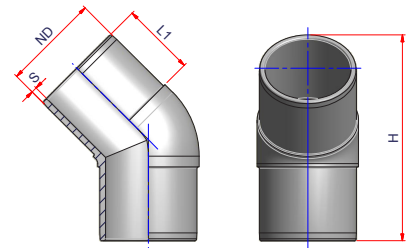
Material: PP-RCT

Range: $\varnothing 2'' \div 24''$

Notes: Type A - Butt welding fitting

Type B - Segmented fitting

Type C - Injected Alongated



SDR 17

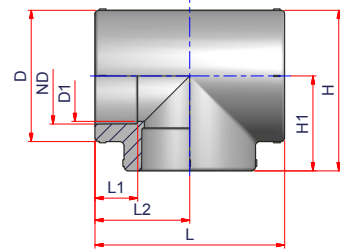
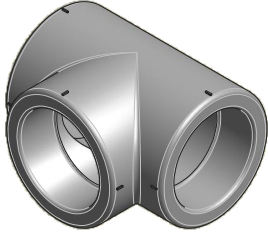
Code	\varnothing	Type	Carton Qty	Weight lb/p.	Volume ft ³ /p.	ND	S	L1	H	R
27NC451763MM	2"	A	60	0.43	0.0469	2" => 63 mm	0.15	2.72	6.89	-
27NC451775MM	2 1/2"	A	40	0.72	-	2 1/2" => 75 mm	0.18	2.87	7.48	-
27NC451790MM	3"	A	22	0.95	0.1285	3" => 90 mm	0.21	3.54	9.25	-
27NC4517110MM	4"	A	15	2.91	0.1882	4" => 110 mm	0.26	3.43	9.53	-
27NC4517125MM	5"	A	30	1.94	0.2542	5" => 125 mm	0.29	3.74	10.41	-
27NC4517160MM	6"	A	15	3.59	0.5085	6" => 160 mm	0.37	4.06	12.24	-
27NC4517200MM	8"	A	36	7.21	0.8853	8" => 200 mm	0.47	4.61	15.83	-
27NC4517250MM	10"	A	12	12.93	1.4973	10" => 250 mm	0.58	5.31	18.19	-
27NC4517315MMA	12"	A	6	24.93	2.9946	12" => 315 mm	0.74	-	-	-
27NC4517315MMB	12"	B	8	22.00	-	12" => 315 mm	0.74	11.81	36.73	18.62
27NC4517355MMB	14"	B	1	27.50	-	14" => 355 mm	0.83	11.81	39.92	20.98
27NC4517355MMC	14"	C	1	-	-	14" => 355 mm	0.83	8.27	27.56	-
27NC4517400MMB	16"	B	1	33.00	-	16" => 400 mm	0.93	11.81	42.40	23.62
27NC4517400MMC	16"	C	1	-	-	16" => 400 mm	0.93	11.81	33.86	-
27NC4517450MMB	18"	B	1	44.00	-	18" => 450 mm	1.05	11.81	45.20	26.57
27NC4517450MMC	18"	C	1	-	-	18" => 450 mm	1.05	11.81	37.80	-
27NC4517500MMB	20"	B	1	55.00	-	20" => 500 mm	1.17	13.78	51.38	29.53
27NC4517560MMB	22"	B	1	66.00	-	22" => 560 mm	1.31	13.78	54.70	33.07
27NC4517630MMB	24"	B	1	77.00	-	24" => 630 mm	1.47	13.78	58.62	37.20



TEE - SOCKET FUSION

Material: PP-RCT

Range: $\varnothing 1/2'' \div 5''$

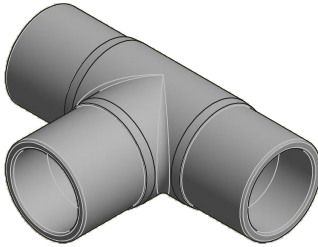


Code	\varnothing	Carton Qty	Weight lb/p.	Volume ft ³ /p.	ND	D1	D	L1	L	H1	H
27NT20	1/2"	150	0.06	0.0038	1/2" => 20 mm	0.71	1.30	0.63	2.13	1.06	1.71
27NT25	3/4"	80	0.09	0.0035	3/4" => 25 mm	0.83	1.38	0.67	2.48	1.24	1.93
27NT32	1"	40	0.18	0.0148	1" => 32 mm	1.18	1.81	0.79	2.91	1.46	2.36
27NT40	1 1/4"	30	0.28	0.0197	1 1/4" => 40 mm	1.42	2.21	0.87	3.39	1.69	2.80
27NT50	1 1/2"	16	0.52	0.0370	1 1/2" => 50 mm	1.81	2.76	0.98	4.02	2.01	3.39
27NT63	2"	24	0.87	0.0529	2" => 63 mm	2.32	3.47	1.14	4.88	2.44	4.17
27NT75	2 1/2"	6	1.32	0.0988	2 1/2" => 75 mm	2.76	3.98	1.30	5.75	2.87	4.86
27NT90	3"	8	2.29	0.1589	3" => 90 mm	3.31	4.88	1.46	6.69	3.35	5.79
27NT110	4"	2	3.37	0.3181	4" => 110 mm	3.94	5.75	1.69	7.87	3.94	6.81
27NT125	5"	18	6.22	0.4237	5" => 125 mm	4.45	6.50	1.87	9.84	4.92	8.17



TEE - LONG SPIGOT

(A)

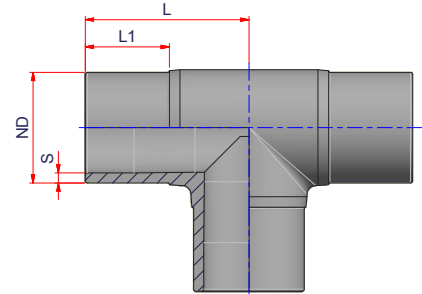


Material: PP-RCT

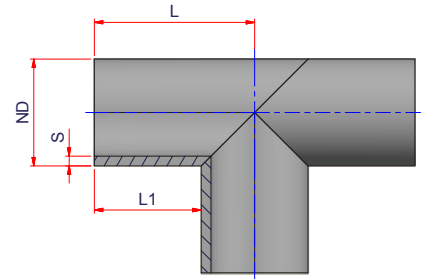
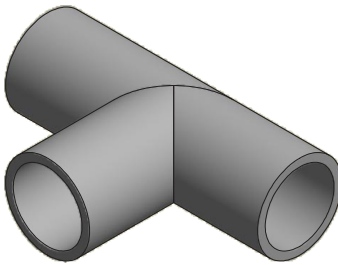
Range: \varnothing 2" ÷ 14"

Notes: Type A - Butt welding fitting

Type B - Segmented fitting



(B)

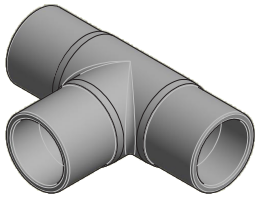


SDR 7.3

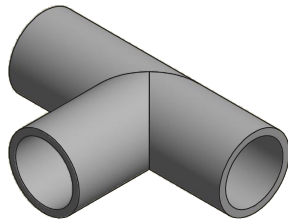
Code	\varnothing	Type	Carton Qty	Weight lb/p.	Volume ft ³ /p.	ND	S	L1	L
27NT7363MM	2"	A	-	1.10	-	2" => 63 mm	0.34	2.72	4.72
27NT7375MM	2 1/2"	A	-	1.76	-	2 1/2" => 75 mm	0.41	2.76	4.61
27NT7390MM	3"	A	-	4.40	-	3" => 90 mm	0.48	3.54	5.85
27NT73110MM	4"	A	-	6.60	-	4" => 110 mm	0.59	3.43	6.30
27NT73125MM	5"	A	-	12.10	-	5" => 125 mm	0.67	3.74	7.28
27NT73160MM	6"	A	40	17.60	-	6" => 160 mm	0.86	4.33	8.54
27NT73200MMB	8"	B	10	22.00	-	8" => 200 mm	1.08	5.91	9.84
27NT73250MMB	10"	B	-	27.72	-	10" => 250 mm	1.35	9.84	14.76
27NT73315MMB	12"	B	-	33.00	-	12" => 315 mm	1.70	11.81	18.11
27NT73355MMB	14"	B	-	44.00	-	14" => 355 mm	1.91	11.81	18.90



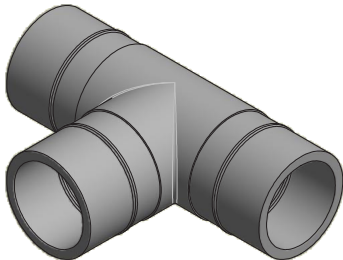
(A)



(B)



(C)



TEE - LONG SPIGOT

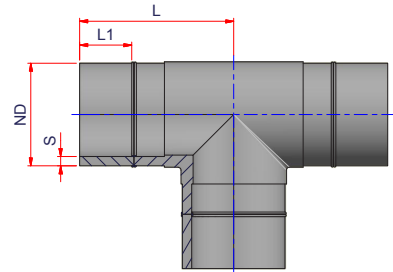
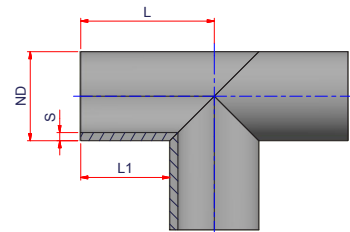
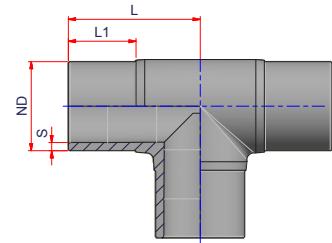
Material: PP-RCT

Range: \varnothing 2" ÷ 20"

Notes: Type A - Butt welding fitting

Type B - Segmented fitting

Type C - Injected Alongated

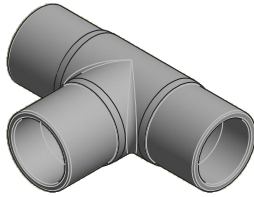


SDR 11

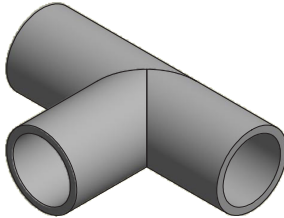
Code	\varnothing	Type	Carton Qty	Weight lb/p.	Volume ft ³ /p.	ND	S	L1	L
27NT1163MM	2"	A	35	0.92	0.0808	2" => 63 mm	0.23	2.72	4.72
27NT1175MM	2 1/2"	A	1	1.67	-	2 1/2" => 75 mm	0.27	2.76	4.61
27NT1190MM	3"	A	15	2.06	0.1882	3" => 90 mm	0.32	3.54	5.85
27NT11110MM	4"	A	9	3.35	0.3139	4" => 110 mm	0.39	3.43	6.30
27NT11125MM	5"	A	5	4.97	0.5650	5" => 125 mm	0.45	3.74	7.28
27NT11160MM	6"	A	40	9.24	0.7967	6" => 160 mm	0.58	4.06	8.27
27NT11200MM	8"	A	10	15.40	1.7968	8" => 200 mm	0.72	4.61	9.84
27NT11250MM	10"	A	1	25.41	-	10" => 250 mm	0.89	5.31	12.01
27NT11315MMA	12"	A	1	-	-	12" => 315 mm	-	-	-
27NT11315MMB	12"	B	1	31.35	-	12" => 315 mm	1.13	11.81	18.11
27NT11355MMB	14"	B	1	41.80	-	14" => 355 mm	1.27	11.81	18.90
27NT11355MMC	14"	C	1	-	-	14" => 355 mm	1.27	7.09	20.98
27NT11400MMB	16"	B	1	48.40	-	16" => 400 mm	1.43	11.81	19.69
27NT11400MMC	16"	C	1	-	-	16" => 400 mm	1.43	7.87	22.05
27NT11450MMB	18"	B	1	55.00	-	18" => 450 mm	1.61	11.81	20.67
27NT11450MMC	18"	C	1	-	-	18" => 450 mm	1.61	8.66	26.77
27NT11500MMB	20"	B	1	66.00	-	20" => 500 mm	1.79	13.78	23.62



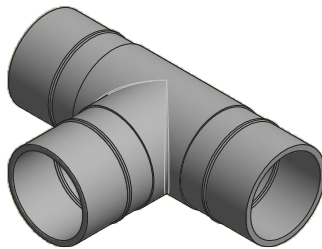
(A)



(B)



(C)



TEE - LONG SPIGOT

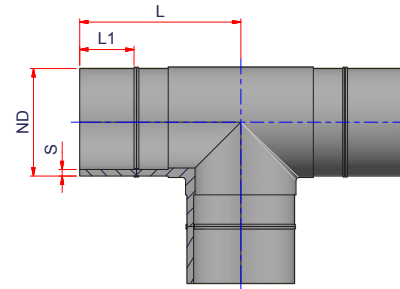
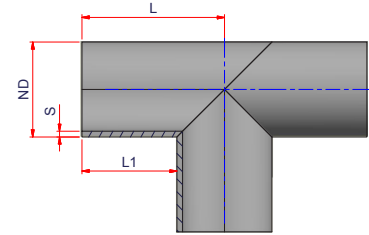
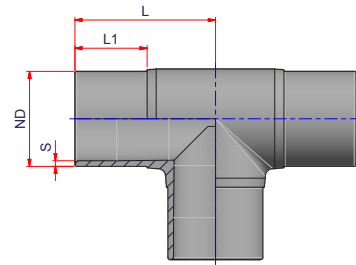
Material: PP-RCT

Range: \varnothing 2" ÷ 24"

Notes: Type A - Butt welding fitting

Type B - Segmented fitting

Type C - Injected Alongated

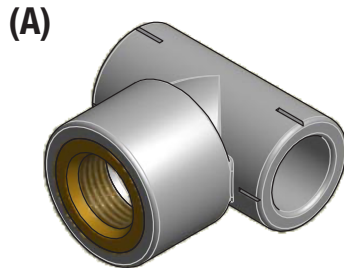


SDR 17

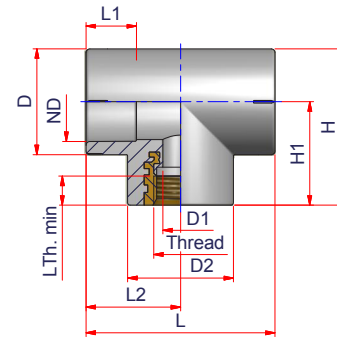
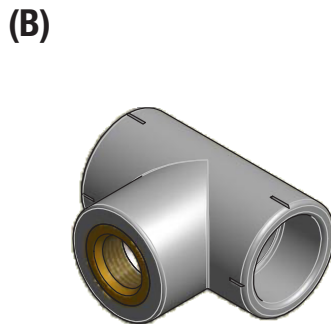
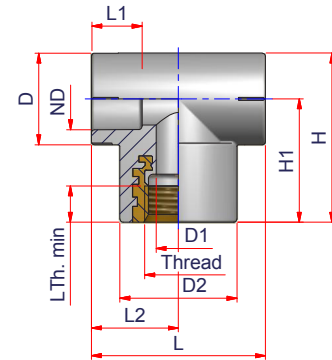
Code	\varnothing	Type	Carton Qty	Weight lb/p.	Volume ft ³ /p.	ND	S	L1	L
27NT1763MM	2"	A	30	0.84	0.0942	2" => 63 mm	0.15	2.72	4.72
27NT1775MM	2 1/2"	A	1	-	-	2 1/2" => 75 mm	0.18	2.76	4.61
27NT1790MM	3"	A	16	1.58	0.1765	3" => 90 mm	0.21	3.54	5.85
27NT17110MM	4"	A	9	2.78	0.3139	4" => 110 mm	0.26	3.43	6.30
27NT17125MM	5"	A	1	-	-	5" => 125 mm	0.29	3.74	7.28
27NT17160MM	6"	A	48	7.36	0.7486	6" => 160 mm	0.37	4.06	8.27
27NT17200MM	8"	A	10	12.65	1.7968	8" => 200 mm	0.47	4.61	9.84
27NT17250MM	10"	A	10	23.10	3.1868	10" => 250 mm	0.58	5.31	12.01
27NT17315MMA	12"	A	1	-	-	12" => 315 mm	0.74	-	-
27NT17315MMB	12"	B	1	-	-	12" => 315 mm	0.74	11.81	18.11
27NT17355MMB	14"	B	1	1.50	-	14" => 355 mm	0.83	11.81	18.90
27NT17355MMC	14"	C	1	22.87	-	14" => 355 mm	0.83	7.09	20.98
27NT17400MMB	16"	B	1	1.85	-	16" => 400 mm	0.93	11.81	19.69
27NT17400MMC	16"	C	1	-	-	16" => 400 mm	0.93	7.87	22.05
27NT17450MMB	18"	B	1	3.01	-	18" => 450 mm	1.05	11.81	20.67
27NT17450MMC	18"	C	1	-	-	18" => 450 mm	1.05	8.66	26.77
27NT17500MMB	20"	B	1	4.47	-	20" => 500 mm	1.17	13.78	23.62
27NT17560MMB	22"	B	1	8.32	-	22" => 560 mm	1.31	13.78	24.80
27NT17630MMB	24"	B	1	13.86	-	24" => 630 mm	1.47	13.78	26.18



FEMALE THREADED TEE W/NPT LEAD FREE BRASS - SOCKET FUSION



Material: PP-RCT-Brass
Range: $\varnothing \frac{1}{2}'' \times \frac{1}{2}'' \text{NPT} \div 1'' \times 1'' \text{NPT}$



Code	\varnothing	Type	Carton Qty	Weight lb/p.	Volume ft ³ /p.	ND	D1	D2	D	Thread	L Thread min	L1	L2	L	H1	H
27NTF2012NPT	$\frac{1}{2}'' \times \frac{1}{2}'' \text{NPT}$	A	50	0.17	0.0060	$\frac{1}{2}'' \Rightarrow 20 \text{ mm}$	0.56	1.46	1.14	$\frac{1}{2}'' \text{NPT}$	0.53	0.63	1.08	2.17	1.54	2.11
27NTF2512NPT	$\frac{3}{4}'' \times \frac{1}{2}'' \text{NPT}$	A	40	0.20	0.0074	$\frac{3}{4}'' \Rightarrow 25 \text{ mm}$	0.56	1.46	1.38	$\frac{1}{2}'' \text{NPT}$	0.53	0.67	1.20	2.40	1.54	2.22
27NTF2534NPT	$\frac{3}{4}'' \times \frac{3}{4}'' \text{NPT}$	A	35	0.26	0.0084	$\frac{3}{4}'' \Rightarrow 25 \text{ mm}$	0.73	1.65	1.38	$\frac{3}{4}'' \text{NPT}$	0.55	0.67	1.20	2.40	1.54	2.22
27NTF3212NPT	$1'' \times \frac{1}{2}'' \text{NPT}$	B	20	0.26	0.0144	$1'' \Rightarrow 32 \text{ mm}$	0.56	1.65	1.65	$\frac{1}{2}'' \text{NPT}$	0.53	0.79	1.48	2.95	1.61	2.44
27NTF3234NPT	$1'' \times \frac{3}{4}'' \text{NPT}$	B	24	0.31	0.0123	$1'' \Rightarrow 32 \text{ mm}$	0.73	1.65	1.65	$\frac{3}{4}'' \text{NPT}$	0.55	0.79	1.48	2.95	1.61	2.44
27NTF321NPT	$1'' \times 1'' \text{NPT}$	B	16	0.47	0.0183	$1'' \Rightarrow 32 \text{ mm}$	0.95	2.13	2.13	$1'' \text{NPT}$	0.66	0.79	1.85	3.74	1.54	2.60

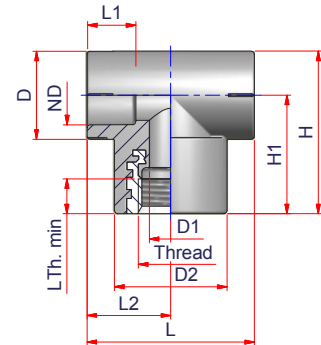


FEMALE THREADED TEE W/NPT STAINLESS STEEL - SOCKET FUSION

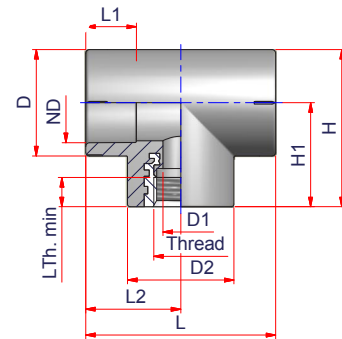
(A)



Material: PP-RCT-Stainless steel
Range: $\varnothing 1/2'' \times 1/2'' \text{NPT} \div 1'' \times 1'' \text{NPT}$



(B)

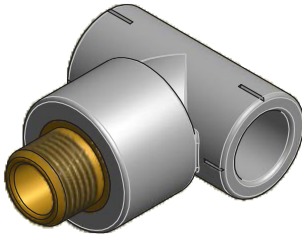


Code	\varnothing	Type	Carton Qty	Weight lb/p.	Volume ft ³ /p.	ND	D1	D2	D	Thread	L					
											Thread min	L1	L2	L	H1	H
27NTF2012SSNPT	1/2" x 1/2" NPT	A	50	0.17	0.0060	1/2" => 20 mm	0.56	1.46	1.14	1/2" NPT	0.53	0.63	1.08	2.17	1.54	2.11
27NTF2512SSNPT	3/4" x 1/2" NPT	A	40	0.20	0.0074	3/4" => 25 mm	0.56	1.46	1.38	1/2" NPT	0.53	0.67	1.20	2.40	1.54	2.22
27NTF2534SSNPT	3/4" x 3/4" NPT	A	35	0.26	0.0085	3/4" => 25 mm	0.73	1.65	1.38	3/4" NPT	0.55	0.67	1.20	2.40	1.54	2.22
27NTF3212SSNPT	1" x 1/2" NPT	B	20	0.26	0.0145	1" => 32 mm	0.56	1.65	1.65	1/2" NPT	0.53	0.79	1.48	2.95	1.61	2.44
27NTF3234SSNPT	1" x 3/4" NPT	B	24	0.31	0.0124	1" => 32 mm	0.73	1.65	1.65	3/4" NPT	0.55	0.79	1.48	2.95	1.61	2.44
27NTF321SSNPT	1" x 1" NPT	B	16	0.47	0.0184	1" => 32 mm	0.95	2.13	2.13	1" NPT	0.66	0.79	1.85	3.74	1.54	2.60

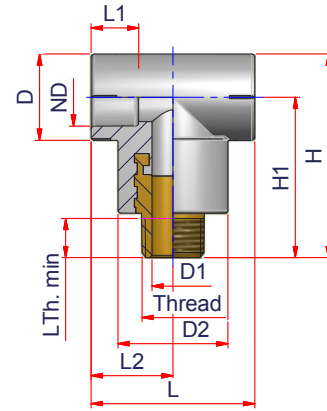


MALE THREADED TEE W/NPT LEAD FREE BRASS - SOCKET FUSION

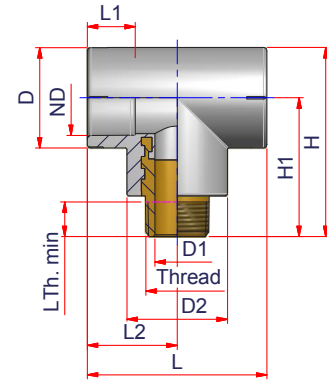
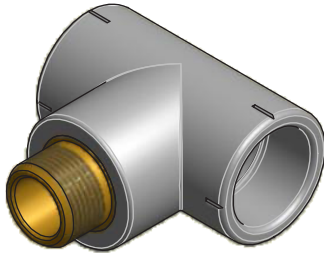
(A)



Material: PP-RCT-Brass
Range: $\varnothing 1/2'' \times 1/2''$ NPT ÷ $1'' \times 1''$ NPT



(B)

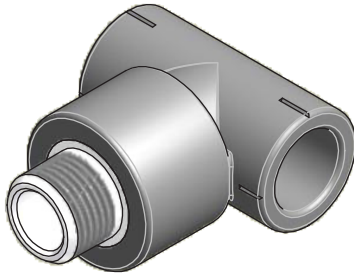


Code	\varnothing	Type	Carton Qty	Weight lb/p.	Volume ft ³ /p.	ND	D1	D2	D	Thread	L Thread min	L1	L2	L	H1	H
27NTM2012NPT	1/2" x 1/2" NPT	A	50	0.25	0.0060	1/2" => 20 mm	0.56	1.46	1.14	1/2" NPT	0.53	0.63	1.08	2.17	2.13	2.70
27NTM2512NPT	3/4" x 1/2" NPT	A	40	0.26	0.0084	3/4" => 25 mm	0.56	1.46	1.38	1/2" NPT	0.53	0.67	1.20	2.40	2.13	2.82
27NTM2534NPT	3/4" x 3/4" NPT	A	30	0.36	0.0098	3/4" => 25 mm	0.73	1.65	1.38	3/4" NPT	0.55	0.67	1.20	2.40	2.21	2.89
27NTM3212NPT	1" x 1/2" NPT	B	25	0.33	0.0116	1" => 32 mm	0.56	1.65	1.65	1/2" NPT	0.53	0.79	1.48	2.95	2.21	3.03
27NTM3234NPT	1" x 3/4" NPT	B	24	0.35	0.0123	1" => 32 mm	0.73	1.65	1.65	3/4" NPT	0.55	0.79	1.48	2.95	2.28	3.10
27NTM321NPT	1" x 1" NPT	B	14	0.71	0.0208	1" => 32 mm	0.95	2.13	1.65	1" NPT	0.68	0.79	1.87	3.74	2.50	3.35

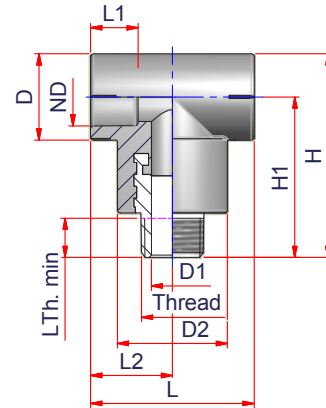


MALE THREADED TEE W/NPT STAINLESS STEEL - SOCKET FUSION

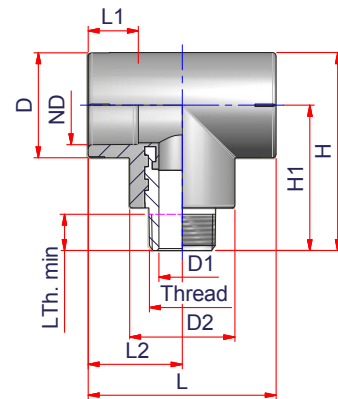
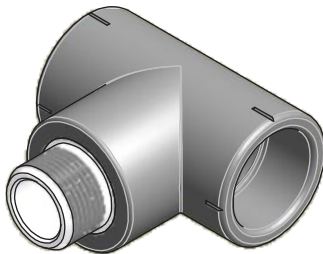
(A)



Material: PP-RCT-Stainless steel
Range: $\varnothing 1/2'' \times 1/2''$ NPT ÷ $1'' \times 1''$ NPT



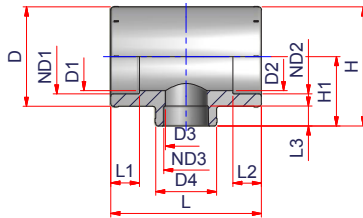
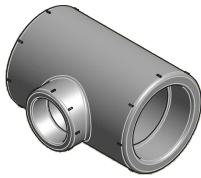
(B)



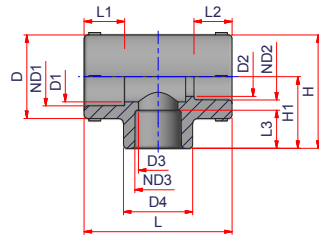
Code	\varnothing	Type	Carton Qty	Weight lb/p.	Volume ft ³ /p.	ND	D1	D2	D	Thread	L Thread min	L1	L2	L	H1	H
27NTM2012SSNPT	$1/2'' \times 1/2''$ NPT	A	50	0.25	0.0060	$1/2'' = > 20$ mm	0.56	1.46	1.14	$1/2''$ NPT	0.53	0.63	1.08	2.17	2.13	2.70
27NTM2512SSNPT	$3/4'' \times 1/2''$ NPT	A	40	0.26	0.0084	$3/4'' = > 25$ mm	0.56	1.46	1.38	$1/2''$ NPT	0.53	0.67	1.20	2.40	2.13	2.82
27NTM2534SSNPT	$3/4'' \times 3/4''$ NPT	A	30	0.36	0.0098	$3/4'' = > 25$ mm	0.73	1.65	1.38	$3/4''$ NPT	0.55	0.67	1.20	2.40	2.21	2.89
27NTM3212SSNPT	$1'' \times 1/2''$ NPT	B	25	0.33	0.0134	$1'' = > 32$ mm	0.56	1.65	1.65	$1/2''$ NPT	0.53	0.79	1.48	2.95	2.21	3.03
27NTM3234SSNPT	$1'' \times 3/4''$ NPT	B	24	0.40	0.0123	$1'' = > 32$ mm	0.73	1.65	1.65	$3/4''$ NPT	0.55	0.79	1.48	2.95	2.28	3.10
27NTM321SSNPT	$1'' \times 1''$ NPT	B	14	0.71	0.0208	$1'' = > 32$ mm	0.95	2.13	2.13	$1''$ NPT	0.68	0.79	1.87	3.74	2.50	3.35



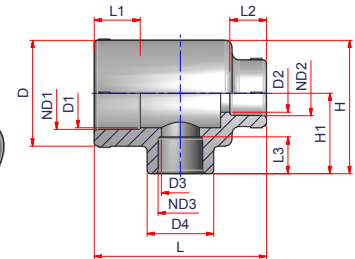
(A)



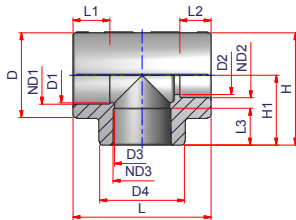
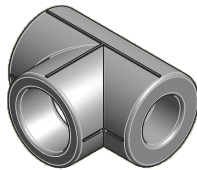
(B)



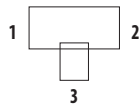
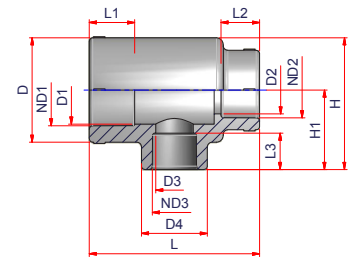
(D)



(C)



(E)



REDUCED TEE - SOCKET FUSION

Material: PP-RCT

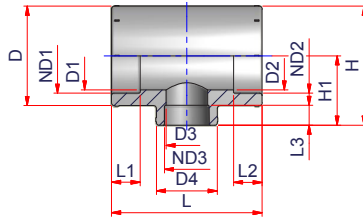
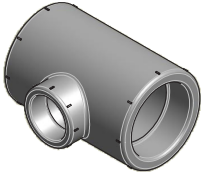
Range: $\varnothing \frac{3}{4}'' \times \frac{1}{2}'' \times \frac{1}{2}'' \div 5'' \times 5'' \times 4''$

Code	Type	\varnothing (ND1xND2xND3)	Carton Qty	Weight lb/p.	Volume ft ³ /p.	D1	D2	D3	D4	D	L1	L2	L3	L	H1	H
27NTR252020	B	$\frac{3}{4}'' \times \frac{1}{2}'' \times \frac{1}{2}''$	90	0.09	0.0067	0.83	0.65	0.65	1.14	1.38	0.67	0.63	0.63	2.44	1.18	1.87
27NTR252025	A	$\frac{3}{4}'' \times \frac{3}{4}'' \times \frac{1}{2}''$	80	0.09	0.0074	0.83	0.83	0.65	1.14	1.38	0.67	0.67	0.63	2.44	1.18	1.87
27NTR252520	C	$\frac{3}{4}'' \times \frac{1}{2}'' \times \frac{3}{4}''$	80	0.10	0.0074	0.83	0.65	0.83	1.38	1.38	0.67	0.63	0.67	2.44	1.18	1.87
27NTR253225	A	$\frac{3}{4}'' \times \frac{3}{4}'' \times 1''$	1	1.32	-	0.83	0.83	0.83	1.81	1.81	0.67	0.67	0.79	2.91	1.49	2.40
27NTR322020	D	$1'' \times \frac{1}{2}'' \times \frac{1}{2}''$	70	0.14	0.0095	1.18	0.65	0.65	1.14	1.81	0.79	0.63	0.63	2.95	1.38	2.28
27NTR322025	E	$1'' \times \frac{3}{4}'' \times \frac{1}{2}''$	40	0.22	0.0155	1.18	0.83	0.65	1.14	1.81	0.79	0.67	0.63	2.95	1.38	2.28
27NTR322032	A	$1'' \times 1'' \times \frac{1}{2}''$	40	0.16	0.0155	1.18	1.18	0.65	1.14	1.81	0.79	0.79	0.63	2.95	1.38	2.28
27NTR322525	B	$1'' \times \frac{3}{4}'' \times \frac{3}{4}''$	50	0.17	0.0120	1.18	0.83	0.83	1.38	1.81	0.79	0.67	0.67	2.95	1.38	2.28
27NTR322532	A	$1'' \times 1'' \times \frac{3}{4}''$	40	0.16	0.0148	1.18	1.18	0.83	1.38	1.81	0.79	0.79	0.67	2.95	1.38	2.28
27NTR323225	C	$1'' \times \frac{3}{4}'' \times 1''$	40	0.20	0.0155	1.18	0.83	1.18	1.81	1.81	0.79	0.67	0.79	2.95	1.50	2.40
27NTR402040	A	$1\frac{1}{4}'' \times 1\frac{1}{4}'' \times \frac{1}{2}''$	20	0.19	0.0144	1.42	1.42	0.65	1.30	2.09	0.95	0.95	0.63	2.91	1.54	2.60
27NTR402540	A	$1\frac{1}{4}'' \times 1\frac{1}{4}'' \times \frac{3}{4}''$	20	0.19	0.0144	1.42	1.42	0.83	1.30	2.09	0.95	0.95	0.79	2.91	1.54	2.60
27NTR403240	A	$1\frac{1}{4}'' \times 1\frac{1}{4}'' \times 1''$	18	0.29	0.0162	1.38	1.38	1.18	2.13	2.13	0.87	0.87	0.79	3.43	1.69	2.76
27NTR502050	A	$1\frac{1}{2}'' \times 1\frac{1}{2}'' \times \frac{1}{2}''$	12	0.35	0.0243	1.85	1.85	0.65	1.69	2.60	1.02	1.02	0.63	3.43	1.85	3.15
27NTR502550	A	$1\frac{1}{2}'' \times 1\frac{1}{2}'' \times \frac{3}{4}''$	10	0.35	0.0293	1.85	1.85	0.83	1.69	2.60	1.02	1.02	0.79	3.43	1.85	3.15
27NTR503250	A	$1\frac{1}{2}'' \times 1\frac{1}{2}'' \times 1''$	14	0.31	0.0208	1.85	1.85	1.18	1.69	2.60	1.02	1.02	0.79	3.43	1.85	3.15
27NTR504050	A	$1\frac{1}{2}'' \times 1\frac{1}{2}'' \times 1\frac{1}{4}''$	8	0.50	0.0367	1.69	1.69	1.42	2.60	2.60	0.91	0.91	0.87	4.02	1.97	3.27

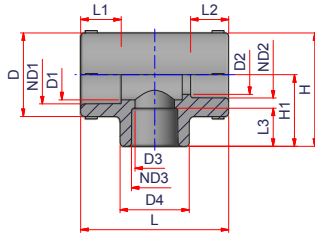
follow ...



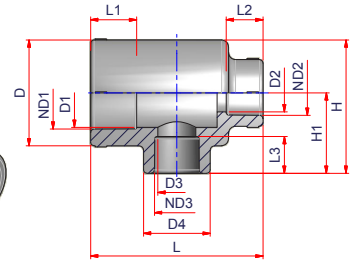
(A)



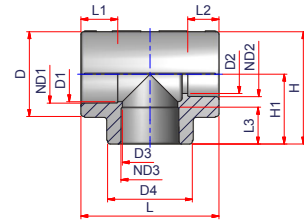
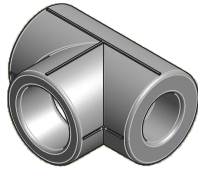
(B)



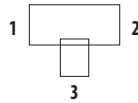
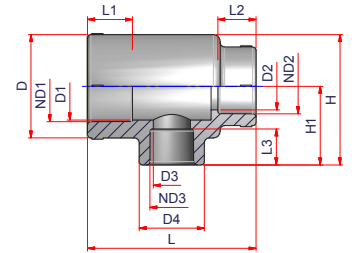
(D)



(C)



(E)



REDUCED TEE - SOCKET FUSION

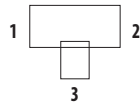
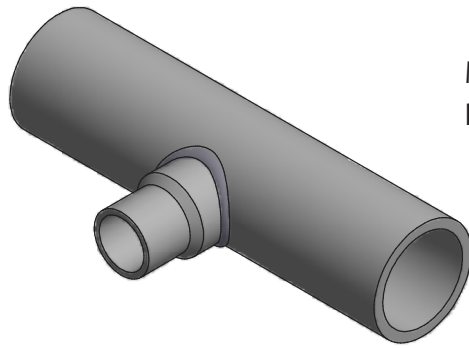
Material: PP-RCT

Range: $\varnothing \frac{3}{4} \times \frac{1}{2} \times \frac{1}{2} \div 5'' \times 5'' \times 4''$

Code	Type	\varnothing (ND1xND2xND3)	Carton Qty	Weight lb/p.	Volume ft ³ /p.	D1	D2	D3	D4	D	L1	L2	L3	L	H1	H
27NTR632563	A	2" x 2" x ¾"	6	0.64	0.0487	2.36	2.36	0.83	2.09	3.27	1.18	1.18	0.69	4.02	2.13	3.78
27NTR633263	A	2" x 2" x 1"	6	0.62	0.0487	2.36	2.36	1.18	2.09	3.27	1.18	1.18	0.83	4.02	2.13	3.78
27NTR634063	A	2" x 2" x 1¼"	6	0.61	0.0487	2.36	2.36	1.42	2.09	3.27	1.18	1.18	0.91	4.02	2.13	3.78
27NTR635063	A	2" x 2" x 1½"	6	0.77	0.0487	1.97	2.36	1.81	3.15	3.15	0.98	0.98	1.02	4.80	2.52	4.09
27NTR753275	A	2½" x 2½" x 1"	7	1.41	0.0847	2.36	2.36	0.87	1.69	3.86	1.18	1.18	0.71	5.47	2.64	4.57
27NTR754075	A	2½" x 2½" x 1¼"	6	1.47	0.0988	2.36	2.36	1.42	2.56	3.86	1.18	1.18	0.91	5.47	2.72	4.65
27NTR755075	A	2½" x 2½" x 1½"	7	1.41	0.0957	2.60	2.60	1.81	2.76	3.98	1.30	1.30	0.98	5.75	2.87	4.86
27NTR756375	A	2½" x 2½" x 2"	7	1.60	0.0957	2.60	2.60	2.32	3.39	3.98	1.30	1.30	1.14	5.75	2.87	4.86
27NTR906390	A	3" x 3" x 2"	4	2.23	0.1483	3.07	3.07	1.97	3.35	4.72	1.30	1.30	1.06	6.30	2.87	5.24
27NTR907590	A	3" x 3" x 2½"	10	1.72	0.1271	3.43	3.43	2.80	4.49	4.49	1.46	1.46	1.30	6.58	3.27	5.51
27NTR11063110	A	4" x 4" x 2"	5	3.34	0.2546	-	3.94	-	2.32	3.94	3.39	1.69	5.75	1.30	1.69	7.87
27NTR11075110	A	4" x 4" x 2½"	5	3.34	0.2546	-	3.94	-	2.72	3.94	3.98	1.69	5.75	1.30	1.69	7.87
27NTR11090110	A	4" x 4" x 3"	4	3.25	0.3178	-	3.94	-	3.35	3.94	4.69	1.87	5.75	1.46	1.69	7.87
27NTR12575125	A	5" x 5" x 2½"	20	5.67	0.3814	-	4.45	-	2.72	4.45	3.98	1.87	6.50	1.30	1.87	9.84
27NTR12590125	A	5" x 5" x 3"	3	5.78	0.4237	-	4.45	-	3.35	4.45	4.80	1.87	6.50	1.46	1.87	9.84
27NTR125110125	A	5" x 5" x 4"	20	5.89	0.3814	-	4.45	-	3.94	4.45	5.75	1.87	6.50	1.69	1.87	9.84

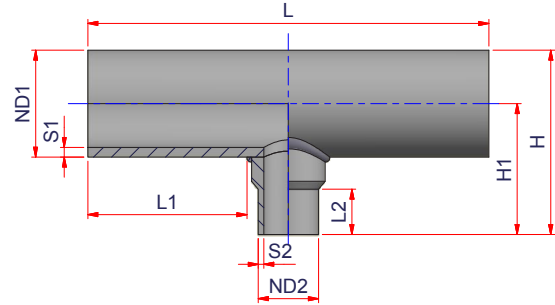


MALE SIDE FUSION REDUCED TEE - LONG SPIGOT



Material: PP-RCT

Range: $\varnothing 6'' \times 6'' \times 2'' \div 20'' \times 20 \times 18''$

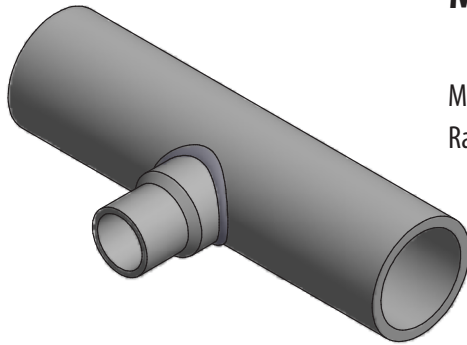


SDR 11

Code	\varnothing (1x2x3)	Carton Qty	Weight lb/p.	ND1	ND2	S1	S2	L1	L2	L	H1	H
27NTR1116063M160	6" x 6" x 2"	1	6,05	6" => 160 mm	2" => 63 mm	0.58	0.23	3.82	1.38	11.81	5.55	8.70
27NTR1116075M160	6" x 6" x 2 1/2"	1	6,16	6" => 160 mm	2 1/2" => 75 mm	0.58	0.27	3.82	3.25	12.60	7.28	10.43
27NTR1116090M160	6" x 6" x 3"	1	6,60	6" => 160 mm	3" => 90 mm	0.58	0.32	3.82	3.07	12.99	7.44	10.59
27NTR11160110M160	6" x 6" x 4"	1	7,04	6" => 160 mm	4" => 110 mm	0.58	0.39	3.82	3.07	13.15	7.72	10.87
27NTR11160125M160	6" x 6" x 5"	1	7,48	6" => 160 mm	5" => 125 mm	0.58	0.45	3.82	3.94	14.53	8.78	11.93
27NTR1120063M200	8" x 8" x 2"	1	8,36	8" => 200 mm	2" => 63 mm	0.72	0.23	4.19	1.38	12.60	6.34	10.28
27NTR1120075M200	8" x 8" x 2 1/2"	1	8,80	8" => 200 mm	2 1/2" => 75 mm	0.72	0.27	4.19	3.25	12.60	8.07	12.00
27NTR1120090M200	8" x 8" x 3"	1	9,24	8" => 200 mm	3" => 90 mm	0.72	0.32	4.19	3.07	13.78	8.23	12.17
27NTR11200110M200	8" x 8" x 4"	1	9,68	8" => 200 mm	4" => 110 mm	0.72	0.39	4.19	3.07	14.69	8.50	12.44
27NTR11200125M200	8" x 8" x 5"	1	10,12	8" => 200 mm	5" => 125 mm	0.72	0.45	4.19	3.94	15.28	9.57	13.50
27NTR11200160M200	8" x 8" x 6"	1	11,00	8" => 200 mm	6" => 160 mm	0.72	0.58	4.19	3.82	17.24	9.25	13.19
27NTR1125063M250	10" x 10" x 2"	1	11,44	10" => 250 mm	2" => 63 mm	0.89	0.23	4.76	1.38	13.52	7.32	12.24
27NTR1125075M250	10" x 10" x 2 1/2"	1	11,88	10" => 250 mm	2 1/2" => 75 mm	0.89	0.27	4.76	3.25	13.60	8.06	13.98
27NTR1125090M250	10" x 10" x 3"	1	12,32	10" => 250 mm	3" => 90 mm	0.89	0.32	4.76	3.07	14.88	9.21	14.13
27NTR11250110M250	10" x 10" x 4"	1	12,76	10" => 250 mm	4" => 110 mm	0.89	0.39	4.76	3.07	15.83	9.00	14.41
27NTR11250125M250	10" x 10" x 5"	1	13,20	10" => 250 mm	5" => 125 mm	0.89	0.45	4.76	3.94	16.42	10.55	15.47
27NTR11250160M250	10" x 10" x 6"	1	13,64	10" => 250 mm	6" => 160 mm	0.89	0.58	4.76	3.82	18.39	12.32	17.24
27NTR11250200M250	10" x 10" x 8"	1		10" => 250 mm	8" => 200 mm	0.89	0.72	4.76	-	-	-	-
27NTR1131563M315	12" x 12" x 2"	1	15,40	12" => 315 mm	2" => 63 mm	1.13	0.23	5.51	1.38	15.75	8.60	14.80
27NTR1131575M315	12" x 12" x 2 1/2"	1	15,84	12" => 315 mm	2 1/2" => 75 mm	1.13	0.27	5.51	3.25	15.93	10.33	16.54
27NTR1131590M315	12" x 12" x 3"	1	16,28	12" => 315 mm	3" => 90 mm	1.13	0.32	5.51	3.07	16.77	10.49	16.69
27NTR11315110M315	12" x 12" x 4"	1	16,72	12" => 315 mm	4" => 110 mm	1.13	0.39	5.51	3.07	17.32	10.77	16.97
27NTR11315125M315	12" x 12" x 5"	1	17,16	12" => 315 mm	5" => 125 mm	1.13	0.45	5.51	3.94	17.91	11.83	18.03
27NTR11315160M315	12" x 12" x 6"	1	17,60	12" => 315 mm	6" => 160 mm	1.13	0.58	5.51	3.82	19.88	13.66	19.80

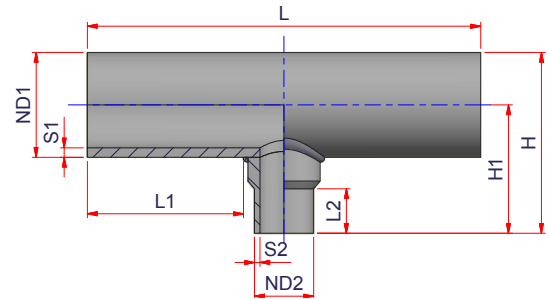
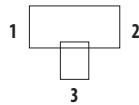
follow ...

MALE SIDE FUSION REDUCED TEE - LONG SPIGOT



Material: PP-RCT

Range: $\varnothing 6'' \times 6'' \times 2'' \div 20'' \times 20 \times 18''$



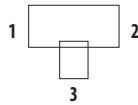
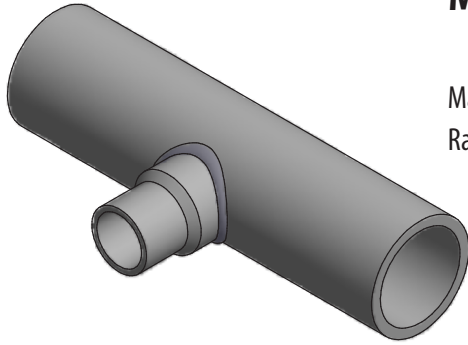
SDR 11

Code	\varnothing (1x2x3)	Carton Qty	Weight lb/p.	ND1	ND2	S1	S2	L1	L2	L	H1	H
27NTR1135563M355	14" x 14" x 2"	1	18,04	14" => 355 mm	2" => 63 mm	1.27	0.23	5.91	1.38	15.80	9.39	16.38
27NTR1135575M355	14" x 14" x 2 1/2"	1	19,80	14" => 355 mm	2 1/2" => 75 mm	1.27	0.27	5.91	3.25	16.32	11.12	18.11
27NTR1135590M355	14" x 14" x 3"	1	20.35	14" => 355 mm	3" => 90 mm	1.27	0.32	5.91	3.07	17.17	11.28	18.27
27NTR11355110M355	14" x 14" x 4"	1	20.90	14" => 355 mm	4" => 110 mm	1.27	0.39	5.91	3.07	18.11	11.56	18.54
27NTR11355125M355	14" x 14" x 5"	1	21.45	14" => 355 mm	5" => 125 mm	1.27	0.45	5.91	3.94	18.70	12.62	19.61
27NTR11355160M355	14" x 14" x 6"	1	22.00	14" => 355 mm	6" => 160 mm	1.27	0.58	5.91	4.06	20.67	14.39	21.38
27NTR11355200M355	14" x 14" x 8"	1	-	14" => 355 mm	8" => 200 mm	1.27	0.72	5.91	-	-	-	-
27NTR1140063M400	16" x 16" x 2"	1	-	16" => 400 mm	2" => 63 mm	1.43	0.23	6.89	1.38	18.56	10.28	18.15
27NTR1140075M400	16" x 16" x 2 1/2"	1	-	16" => 400 mm	2 1/2" => 75 mm	1.43	0.27	6.89	3.25	19.08	12.00	19.88
27NTR1140090M400	16" x 16" x 3"	1	-	16" => 400 mm	3" => 90 mm	1.43	0.32	6.89	3.07	19.92	12.17	20.04
27NTR11400110M400	16" x 16" x 4"	1	-	16" => 400 mm	4" => 110 mm	1.43	0.39	6.89	3.07	20.87	12.44	20.31
27NTR11400125M400	16" x 16" x 5"	1	-	16" => 400 mm	5" => 125 mm	1.43	0.45	6.89	3.94	21.46	13.50	21.38
27NTR11400160M400	16" x 16" x 6"	1	-	16" => 400 mm	6" => 160 mm	1.43	0.58	6.89	4.06	23.43	15.28	23.15
27NTR11400200M400	16" x 16" x 8"	1	-	16" => 400 mm	8" => 200 mm	1.43	0.72	6.89	-	-	-	-
27NTR11400250M400	16" x 16" x 10"	1	-	16" => 400 mm	10" => 250 mm	1.43	0.89	6.89	-	-	-	-
27NTR1145063M450	18" x 18" x 2"	1	-	18" => 450 mm	2" => 63 mm	1.61	0.23	7.87	1.38	20.52	11.26	20.12
27NTR1145075M450	18" x 18" x 2 1/2"	1	-	18" => 450 mm	2 1/2" => 75 mm	1.61	0.27	7.87	3.25	21.04	12.99	21.85
27NTR1145090M450	18" x 18" x 3"	1	-	18" => 450 mm	3" => 90 mm	1.61	0.32	7.87	3.07	21.88	13.15	22.01
27NTR11450110M450	18" x 18" x 4"	1	-	18" => 450 mm	4" => 110 mm	1.61	0.39	7.87	3.07	22.83	13.43	22.28
27NTR11450125M450	18" x 18" x 5"	1	-	18" => 450 mm	5" => 125 mm	1.61	0.45	7.87	3.94	23.42	14.49	23.35
27NTR11450160M450	18" x 18" x 6"	1	-	18" => 450 mm	6" => 160 mm	1.61	0.58	7.87	4.06	25.39	16.26	25.12
27NTR11450200M450	18" x 18" x 8"	1	-	18" => 450 mm	8" => 200 mm	1.61	0.72	7.87	-	-	-	-
27NTR11450250M450	18" x 18" x 10"	1	-	18" => 450 mm	10" => 250 mm	1.61	0.89	7.87	-	-	-	-
27NTR11450315M450	18" x 18" x 12"	1	-	18" => 450 mm	12" => 315 mm	1.61	1.13	7.87	-	-	-	-

follow ...

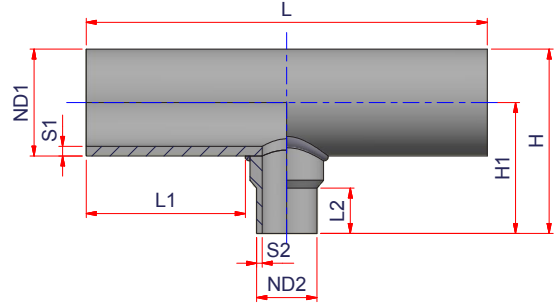


MALE SIDE FUSION REDUCED TEE - LONG SPIGOT



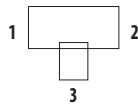
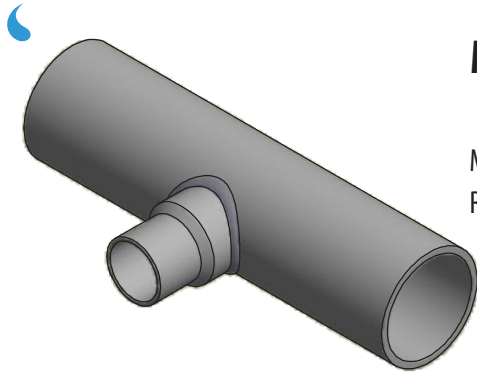
Material: PP-RCT

Range: $\varnothing 6'' \times 6'' \times 2'' \div 20'' \times 20'' \times 18''$



SDR 11

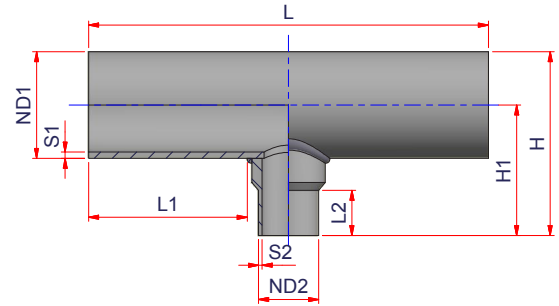
Code	\varnothing (1x2x3)	Carton Qty	Weight lb/p.	ND1	ND2	S1	S2	L1	L2	L	H1	H
27NTR1150063M500	20" x 20" x 2"	1	-	20" => 500 mm	2" => 63 mm	1.79	0.23	8.66	1.38	22.10	12.24	22.09
27NTR1150075M500	20" x 20" x 2 1/2"	1	-	20" => 500 mm	2 1/2" => 75 mm	1.79	0.27	8.66	3.25	22.62	13.98	23.82
27NTR1150090M500	20" x 20" x 3"	1	-	20" => 500 mm	3" => 90 mm	1.79	0.32	8.66	3.07	23.46	14.13	23.98
27NTR11500110M500	20" x 20" x 4"	1	-	20" => 500 mm	4" => 110 mm	1.79	0.39	8.66	3.07	24.41	14.41	24.25
27NTR11500125M500	20" x 20" x 5"	1	-	20" => 500 mm	5" => 125 mm	1.79	0.45	8.66	3.94	25.00	15.47	25.31
27NTR11500160M500	20" x 20" x 6"	1	-	20" => 500 mm	6" => 160 mm	1.79	0.58	8.66	4.06	26.97	17.24	27.09
27NTR11500200M500	20" x 20" x 8"	1	-	20" => 500 mm	8" => 200 mm	1.17	0.72	8.66	-	-	-	-
27NTR11500250M500	20" x 20" x 10"	1	-	20" => 500 mm	10" => 250 mm	1.17	0.89	8.66	-	-	-	-
27NTR11500315M500	20" x 20" x 12"	1	-	20" => 500 mm	12" => 315 mm	1.17	1.13	8.66	-	-	-	-
27NTR11500355M500	20" x 20" x 14"	1	-	20" => 500 mm	14" => 355 mm	1.17	1.27	8.66	-	-	-	-
27NTR11500400M500	20" x 20" x 16"	1	-	20" => 500 mm	16" => 400 mm	1.17	1.43	8.66	-	-	-	-
27NTR11500450M500	20" x 20" x 18"	1	-	20" => 500 mm	18" => 450 mm	1.17	1.61	8.66	-	-	-	-



MALE SIDE FUSION REDUCED TEE - LONG SPIGOT

Material: PP-RCT

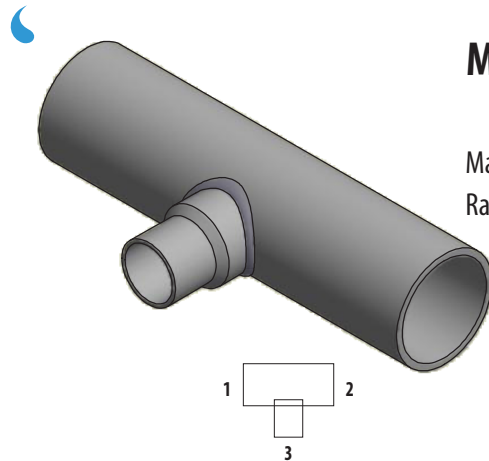
Range: $\varnothing 6'' \times 6'' \times 2'' \div 24'' \times 24'' \times 22''$



SDR 17

Code	\varnothing (1x2x3)	Carton Qty	Weight lb/p.	ND1	ND2	S1	S2	L1	L2	L	H1	H
27NTR1716063M160	6" x 6" x 2"	1	-	6" => 160 mm	2" => 63 mm	0.37	0.15	3.82	1.38	11.81	5.55	8.70
27NTR1716075M160	6" x 6" x 2 1/2"	1	-	6" => 160 mm	2 1/2" => 75 mm	0.37	0.18	3.82	3.25	12.60	7.28	10.43
27NTR1716090M160	6" x 6" x 3"	1	-	6" => 160 mm	3" => 90 mm	0.37	0.21	3.82	3.07	12.99	7.44	10.59
27NTR17160110M160	6" x 6" x 4"	1	-	6" => 160 mm	4" => 110 mm	0.37	0.26	3.82	3.07	13.15	7.72	10.87
27NTR17160125M160	6" x 6" x 5"	1	-	6" => 160 mm	5" => 125 mm	0.37	0.29	3.82	3.94	14.53	8.78	11.93
27NTR1720063M200	8" x 8" x 2"	1	-	8" => 200 mm	2" => 63 mm	0.47	0.15	4.19	1.38	12.60	6.34	10.28
27NTR1720075M200	8" x 8" x 2 1/2"	1	-	8" => 200 mm	2 1/2" => 75 mm	0.47	0.18	4.19	3.25	12.60	8.07	12.00
27NTR1720090M200	8" x 8" x 3"	1	-	8" => 200 mm	3" => 90 mm	0.47	0.21	4.19	3.07	13.78	8.23	12.17
27NTR17200110M200	8" x 8" x 4"	1	-	8" => 200 mm	4" => 110 mm	0.47	0.26	4.19	3.07	14.69	8.50	12.44
27NTR17200125M200	8" x 8" x 5"	1	-	8" => 200 mm	5" => 125 mm	0.47	0.29	4.19	3.94	15.28	9.57	13.50
27NTR17200160M200	8" x 8" x 6"	1	-	8" => 200 mm	6" => 160 mm	0.47	0.37	4.19	3.82	17.24	9.25	13.19
27NTR1725063M250	10" x 10" x 2"	1	-	10" => 250 mm	2" => 63 mm	0.58	0.15	4.76	1.38	13.52	7.32	12.24
27NTR1725075M250	10" x 10" x 2 1/2"	1	-	10" => 250 mm	2 1/2" => 75 mm	0.58	0.18	4.76	3.25	13.60	8.06	13.98
27NTR1725090M250	10" x 10" x 3"	1	-	10" => 250 mm	3" => 90 mm	0.58	0.21	4.76	3.07	14.88	9.21	14.13
27NTR17250110M250	10" x 10" x 4"	1	-	10" => 250 mm	4" => 110 mm	0.58	0.26	4.76	3.07	15.83	9.49	14.41
27NTR17250125M250	10" x 10" x 5"	1	-	10" => 250 mm	5" => 125 mm	0.58	0.29	4.76	3.94	16.42	10.55	15.47
27NTR17250160M250	10" x 10" x 6"	1	-	10" => 250 mm	6" => 160 mm	0.58	0.37	4.76	3.82	18.39	12.32	17.24
27NTR17250200M250	10" x 10" x 8"	1	-	10" => 250 mm	8" => 200 mm	0.58	0.47	4.76	-	-	-	-
27NTR1731563M315	12" x 12" x 2"	1	-	12" => 315 mm	2" => 63 mm	0.74	0.15	5.51	1.38	15.75	8.60	14.80
27NTR1731575M315	12" x 12" x 2 1/2"	1	-	12" => 315 mm	2 1/2" => 75 mm	0.74	0.18	5.51	3.25	15.93	10.33	16.54
27NTR1731590M315	12" x 12" x 3"	1	-	12" => 315 mm	3" => 90 mm	0.74	0.21	5.51	3.07	16.77	10.49	16.69
27NTR17315110M315	12" x 12" x 4"	1	-	12" => 315 mm	4" => 110 mm	0.74	0.26	5.51	3.07	17.32	10.77	16.97
27NTR17315125M315	12" x 12" x 5"	1	-	12" => 315 mm	5" => 125 mm	0.74	0.29	5.51	3.94	17.91	11.83	18.03
27NTR17315160M315	12" x 12" x 6"	1	-	12" => 315 mm	6" => 160 mm	0.74	0.37	5.51	3.82	19.88	13.66	19.80

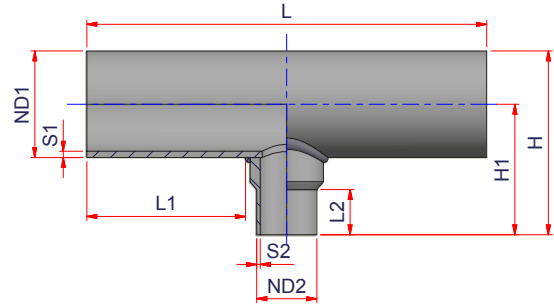
follow ...



MALE SIDE FUSION REDUCED TEE - LONG SPIGOT

Material: PP-RCT

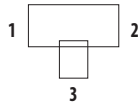
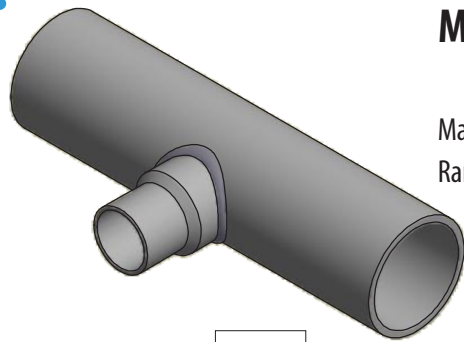
Range: $\varnothing 6" \times 6" \times 2" \div 24" \times 24" \times 22"$



SDR 17

Code	\varnothing (1x2x3)	Carton Qty	Weight lb/p.	ND1	ND2	S1	S2	L1	L2	L	H1	H
27NTR1735563M355	14" x 14" x 2"	1	-	14" => 355 mm	2" => 63 mm	0.83	0.15	5.91	1.38	15.80	9.39	16.38
27NTR1735575M355	14" x 14" x 2 1/2"	1	-	14" => 355 mm	2 1/2" => 75 mm	0.83	0.18	5.91	3.25	16.32	11.12	18.11
27NTR1735590M355	14" x 14" x 3"	1	-	14" => 355 mm	3" => 90 mm	0.83	0.21	5.91	3.07	17.17	11.28	18.27
27NTR17355110M355	14" x 14" x 4"	1	-	14" => 355 mm	4" => 110 mm	0.83	0.26	5.91	3.07	18.11	11.56	18.54
27NTR17355125M355	14" x 14" x 5"	1	-	14" => 355 mm	5" => 125 mm	0.83	0.29	5.91	3.94	18.70	12.62	19.61
27NTR17355160M355	14" x 14" x 6"	1	-	14" => 355 mm	6" => 160 mm	0.83	0.37	5.91	4.06	20.67	14.39	21.38
27NTR17355200M355	14" x 14" x 8"	1	-	14" => 355 mm	8" => 200 mm	0.83	0.47	5.91	-	-	-	-
27NTR1740063M400	16" x 16" x 2"	1	-	16" => 400 mm	2" => 63 mm	0.93	0.15	6.89	1.38	18.56	10.28	18.15
27NTR1740075M400	16" x 16" x 2 1/2"	1	-	16" => 400 mm	2 1/2" => 75 mm	0.93	0.18	6.89	3.25	19.08	12.00	19.88
27NTR1740090M400	16" x 16" x 3"	1	-	16" => 400 mm	3" => 90 mm	0.93	0.21	6.89	3.07	19.92	12.17	20.04
27NTR17400110M400	16" x 16" x 4"	1	-	16" => 400 mm	4" => 110 mm	0.93	0.26	6.89	3.07	20.87	12.44	20.31
27NTR17400125M400	16" x 16" x 5"	1	-	16" => 400 mm	5" => 125 mm	0.93	0.29	6.89	3.94	21.46	13.50	21.38
27NTR17400160M400	16" x 16" x 6"	1	-	16" => 400 mm	6" => 160 mm	0.93	0.37	6.89	4.06	23.43	15.28	23.15
27NTR17400200M400	16" x 16" x 8"	1	-	16" => 400 mm	8" => 200 mm	0.93	0.47	6.89	-	-	-	-
27NTR17400250M400	16" x 16" x 10"	1	-	16" => 400 mm	10" => 250 mm	0.93	0.58	6.89	-	-	-	-
27NTR1745063M450	18" x 18" x 2"	1	-	18" => 450 mm	2" => 63 mm	1.05	0.15	7.87	1.38	20.52	11.26	20.12
27NTR1745075M450	18" x 18" x 2 1/2"	1	-	18" => 450 mm	2 1/2" => 75 mm	1.05	0.18	7.87	3.25	21.04	12.99	21.85
27NTR1745090M450	18" x 18" x 3"	1	-	18" => 450 mm	3" => 90 mm	1.05	0.21	7.87	3.07	21.88	13.15	22.01
27NTR17450110M450	18" x 18" x 4"	1	-	18" => 450 mm	4" => 110 mm	1.05	0.26	7.87	3.07	22.83	13.43	22.28
27NTR17450125M450	18" x 18" x 5"	1	-	18" => 450 mm	5" => 125 mm	1.05	0.29	7.87	3.94	23.42	14.49	23.35
27NTR17450160M450	18" x 18" x 6"	1	-	18" => 450 mm	6" => 160 mm	1.05	0.37	7.87	4.06	25.39	16.26	25.12
27NTR17450200M450	18" x 18" x 8"	1	-	18" => 450 mm	8" => 200 mm	1.05	0.47	7.87	-	-	-	-
27NTR17450250M450	18" x 18" x 10"	1	-	18" => 450 mm	10" => 250 mm	1.05	0.58	7.87	-	-	-	-
27NTR17450315M450	18" x 18" x 12"	1	-	18" => 450 mm	12" => 315 mm	1.05	0.74	7.87	-	-	-	-
27NTR1750063M500	20" x 20" x 2"	1	-	20" => 500 mm	2" => 63 mm	1.17	0.15	8.66	1.38	22.10	12.24	22.09
27NTR1750075M500	20" x 20" x 2 1/2"	1	-	20" => 500 mm	2 1/2" => 75 mm	1.17	0.18	8.66	3.25	22.62	13.98	23.82

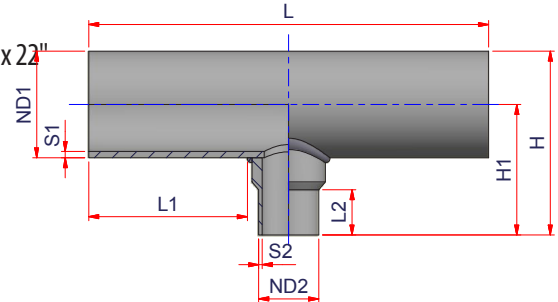
follow ..



MALE SIDE FUSION REDUCED TEE - LONG SPIGOT

Material: PP-RCT

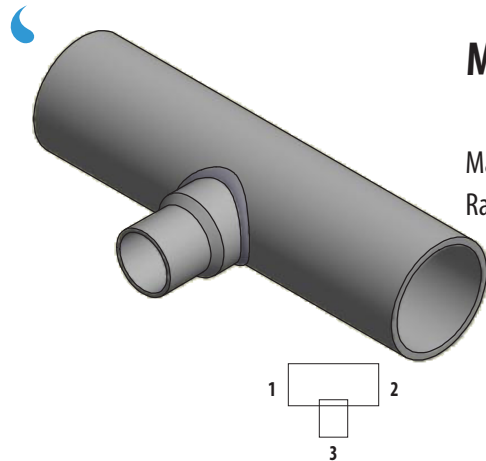
Range: $\varnothing 6'' \times 6'' \times 2'' \div 24'' \times 24'' \times 22''$



SDR 17

Code	\varnothing (1x2x3)	Carton Qty	Weight lb/p.	ND1	ND2	S1	S2	L1	L2	L	H1	H
27NTR1750090M500	20" x 20" x 3"	1	-	20" => 500 mm	3" => 90 mm	1.17	0.21	8.66	3.07	23.46	14.13	23.98
27NTR17500110M500	20" x 20" x 4"	1	-	20" => 500 mm	4" => 110 mm	1.17	0.26	8.66	3.07	24.41	14.41	24.25
27NTR17500125M500	20" x 20" x 5"	1	-	20" => 500 mm	5" => 125 mm	1.17	0.29	8.66	3.94	25.00	15.47	25.31
27NTR17500160M500	20" x 20" x 6"	1	-	20" => 500 mm	6" => 160 mm	1.17	0.37	8.66	4.06	26.97	17.24	27.09
27NTR17500200M500	20" x 20" x 8"	1	-	20" => 500 mm	8" => 200 mm	1.17	0.47	8.66	-	-	-	-
27NTR17500250M500	20" x 20" x 10"	1	-	20" => 500 mm	10" => 250 mm	1.17	0.58	8.66	-	-	-	-
27NTR17500315M500	20" x 20" x 12"	1	-	20" => 500 mm	12" => 315 mm	1.17	0.74	8.66	-	-	-	-
27NTR17500355M500	20" x 20" x 14"	1	-	20" => 500 mm	14" => 355 mm	1.17	0.83	8.66	-	-	-	-
27NTR17500400M500	20" x 20" x 16"	1	-	20" => 500 mm	16" => 400 mm	1.17	0.93	8.66	-	-	-	-
27NTR17500450M500	20" x 20" x 18"	1	-	20" => 500 mm	18" => 450 mm	1.17	1.05	8.66	-	-	-	-
27NTR1756063M560	22" x 22" x 2"	1	-	22" => 560 mm	2" => 63 mm	1.31	0.15	9.45	1.38	23.68	13.43	24.45
27NTR1756075M560	22" x 22" x 2 1/2"	1	-	22" => 560 mm	2 1/2" => 75 mm	1.31	0.18	9.45	3.25	24.20	15.16	26.18
27NTR1756090M560	22" x 22" x 3"	1	-	22" => 560 mm	3" => 90 mm	1.31	0.21	9.45	3.07	25.04	15.31	26.34
27NTR17560110M560	22" x 22" x 4"	1	-	22" => 560 mm	4" => 110 mm	1.31	0.26	9.45	3.07	25.99	15.59	26.61
27NTR17560125M560	22" x 22" x 5"	1	-	22" => 560 mm	5" => 125 mm	1.31	0.29	9.45	3.94	26.58	16.65	27.68
27NTR17560160M560	22" x 22" x 6"	1	-	22" => 560 mm	6" => 160 mm	1.31	0.37	9.45	4.06	28.55	18.43	29.45
27NTR17560200M560	22" x 22" x 8"	1	-	22" => 560 mm	8" => 200 mm	1.31	0.47	9.45	-	-	-	-
27NTR17560250M560	22" x 22" x 10"	1	-	22" => 560 mm	10" => 250 mm	1.31	0.58	9.45	-	-	-	-
27NTR17560315M560	22" x 22" x 12"	1	-	22" => 560 mm	12" => 315 mm	1.31	0.74	9.45	-	-	-	-
27NTR17560355M560	22" x 22" x 14"	1	-	22" => 560 mm	14" => 355 mm	1.31	0.83	9.45	-	-	-	-
27NTR17560400M560	22" x 22" x 16"	1	-	22" => 560 mm	16" => 400 mm	1.31	0.93	9.45	-	-	-	-
27NTR1763063M630	24" x 24" x 2"	1	-	24" => 630 mm	2" => 63 mm	1.47	0.15	10.23	1.38	25.24	14.80	27.20
27NTR1763075M630	24" x 24" x 2 1/2"	1	-	24" => 630 mm	2 1/2" => 75 mm	1.47	0.18	10.23	3.25	25.76	16.54	28.94
27NTR1763090M630	24" x 24" x 3"	1	-	24" => 630 mm	3" => 90 mm	1.47	0.21	10.23	3.07	26.60	16.69	29.09
27NTR17630110M630	24" x 24" x 4"	1	-	24" => 630 mm	4" => 110 mm	1.47	0.26	10.23	3.07	27.55	16.97	29.37
27NTR17630125M630	24" x 24" x 5"	1	-	24" => 630 mm	5" => 125 mm	1.47	0.29	10.23	3.94	28.14	18.03	30.43
27NTR17630160M630	24" x 24" x 6"	1	-	24" => 630 mm	6" => 160 mm	1.47	0.37	10.23	4.06	30.11	19.80	32.20

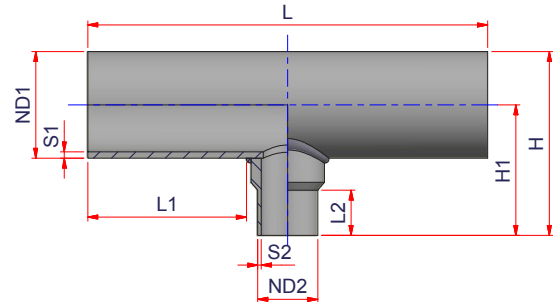
follow..



MALE SIDE FUSION REDUCED TEE - LONG SPIGOT

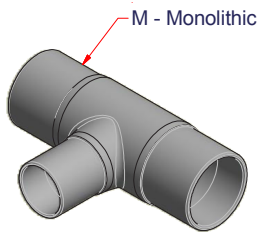
Material: PP-RCT

Range: $\emptyset 6'' \times 6'' \times 2'' \div 24'' \times 24'' \times 22''$



SDR 17

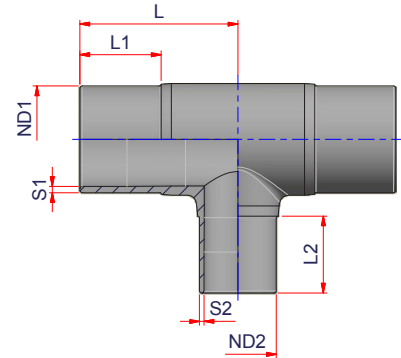
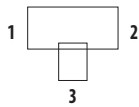
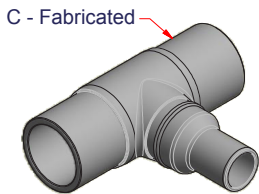
Code	\emptyset (1x2x3)	Carton Qty	Weight lb/p.	ND1	ND2	S1	S2	L1	L2	L	H1	H
27NTR17630200M630	24" x 24" x 8"	1	-	24" => 630 mm	8" => 200 mm	1.47	0.47	10.23	-	-	-	-
27NTR17630250M630	24" x 24" x 10"	1	-	24" => 630 mm	10" => 250 mm	1.47	0.58	10.23	-	-	-	-
27NTR17630315M630	24" x 24" x 12"	1	-	24" => 630 mm	12" => 315 mm	1.47	0.74	10.23	-	-	-	-
27NTR17630355M630	24" x 24" x 14"	1	-	24" => 630 mm	14" => 355 mm	1.47	0.83	10.23	-	-	-	-
27NTR17630400M630	24" x 24" x 16"	1	-	24" => 630 mm	16" => 400 mm	1.47	0.93	10.23	-	-	-	-
27NTR17630450M630	24" x 24" x 18"	1	-	24" => 630 mm	18" => 450 mm	1.47	1.05	10.23	-	-	-	-
27NTR17630500M630	24" x 24" x 20"	1	-	24" => 630 mm	20" => 500 mm	1.47	1.17	10.23	-	-	-	-
27NTR17630560M630	24" x 24" x 22"	1	-	24" => 630 mm	22" => 560 mm	1.47	1.31	10.23	-	-	-	-



REDUCED TEE - LONG SPIGOT

Material: PP-RCT

Range: $\varnothing 3'' \times 3'' \times 1\frac{1}{4}'' \div 10'' \times 10'' \times 8''$



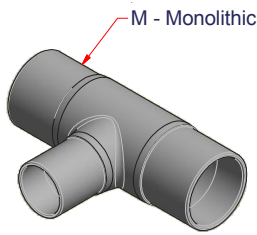
SDR 11

Code	\varnothing (1x2x3)	Carton Qty	Weight lb/p.	Volume ft ³ /p.	ND1	S1	ND2	S2
27NTRS119040MM	3" x 3" x 1¼"	-	-	-	3" => 90 mm	0.32	1¼" => 40 mm	0.15
27NTRS119050MM	3" x 3" x 1½"	-	-	-	3" => 90 mm	0.32	1½" => 50 mm	0.18
27NTRS119063MM	3" x 3" x 2"	20	1.67	-	3" => 90 mm	0.32	2" => 63 mm	0.23
27NTRS1111050MM	4" x 4" x 1½"	12	2.71	0.2355	4" => 110 mm	0.39	1½" => 50 mm	0.18
27NTRS1111063MM	4" x 4" x 2"	12	2.91	0.2355	4" => 110 mm	0.39	2" => 63 mm	0.23
27NTRS1111075MM	4" x 4" x 2½"	-	-	-	4" => 110 mm	0.39	2½" => 75 mm	0.27
27NTRS1111090MM	4" x 4" x 3"	9	3.08	0.3139	4" => 110 mm	0.39	3" => 90 mm	0.32
27NTRS1112550MM	5" x 5" x 1½"	-	-	-	5" => 125 mm	0.45	1½" => 50 mm	0.18
27NTRS1112563MM	5" x 5" x 2"	-	-	-	5" => 125 mm	0.45	2" => 63 mm	0.23
27NTRS1112575MM	5" x 5" x 2½"	-	-	-	5" => 125 mm	0.45	2½" => 75 mm	0.27
27NTRS1112590MM	5" x 5" x 3"	-	-	-	5" => 125 mm	0.45	3" => 90 mm	0.32
27NTRS11125110MM	5" x 5" x 4"	-	-	-	5" => 125 mm	0.45	4" => 110 mm	0.39
27NTRS1116063MM	6" x 6" x 2"	12	6.77	0.6356	6" => 160 mm	0.57	2" => 63 mm	0.23
27NTRS1116075MM	6" x 6" x 2½"	-	-	-	6" => 160 mm	0.57	2½" => 75 mm	0.27
27NTRS1116090MM	6" x 6" x 3"	10	7.08	0.7628	6" => 160 mm	0.57	3" => 90 mm	0.32
27NTRS11160110MM	6" x 6" x 4"	10	7.30	0.7628	6" => 160 mm	0.57	4" => 110 mm	0.39
27NTRS11160125MM	6" x 6" x 5"	-	-	-	6" => 160 mm	0.57	5" => 125 mm	0.45
27NTRS1120090MM	8" x 8" x 3"	-	-	-	8" => 200 mm	0.72	3" => 90 mm	0.32
27NTRS11200110MM	8" x 8" x 4"	-	-	-	8" => 200 mm	0.72	4" => 110 mm	0.39
27NTRS11200160MM	8" x 8" x 6"	-	-	-	8" => 200 mm	0.72	6" => 160 mm	0.57
27NTRS1125090MM	10" x 10" x 3"	-	-	-	10" => 250 mm	0.89	3" => 90 mm	0.32
27NTRS11250110MM	10" x 10" x 4"	-	-	-	10" => 250 mm	0.89	4" => 110 mm	0.39
27NTRS11250160MM	10" x 10" x 6"	-	-	-	10" => 250 mm	0.89	6" => 160 mm	0.57
27NTRS11250200MM	10" x 10" x 8"	-	-	-	10" => 250 mm	0.89	8" => 200 mm	0.72

Depending on stock availability, the fitting can be supplied molded (monolithic version) or composed (molded tee + reducing spigot).

The company reserves the right to provide a monolithic or composed fitting depending on internal needs.

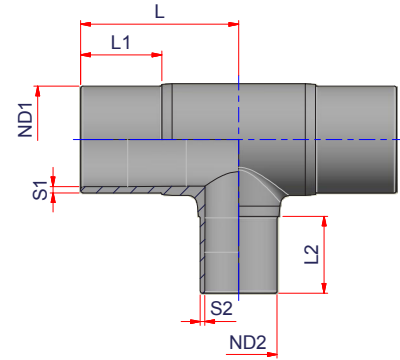
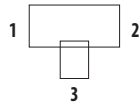
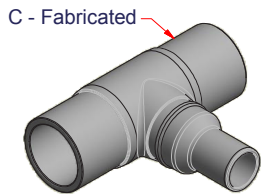
Measures on request.



REDUCED TEE - LONG SPIGOT

Material: PP-RCT

Range: $\varnothing 3'' \times 3'' \times 1\frac{1}{4}'' \div 10'' \times 10'' \times 8''$



SDR 17

Code	\varnothing (1x2x3)	Carton Qty	Weight lb/p.	Volume ft ³ /p.	ND1	S1	ND2	S2
27NTRS179040MM	3" x 3" x 1¼"	-	-	-	3" => 90 mm	0.21	1¼" => 40 mm	0.09
27NTRS179050MM	3" x 3" x 1½"	-	-	-	3" => 90 mm	0.21	1½" => 50 mm	0.12
27NTRS179063MM	3" x 3" x 2"	-	-	-	3" => 90 mm	0.21	2" => 63 mm	0.15
27NTRS1711050MM	4" x 4" x 1½"	-	-	-	4" => 110 mm	0.26	1½" => 50 mm	0.12
27NTRS1711063MM	4" x 4" x 2"	12	6.77	0.6356	4" => 110 mm	0.26	2" => 63 mm	0.15
27NTRS1711075MM	4" x 4" x 2½"	-	-	-	4" => 110 mm	0.26	2½" => 75 mm	0.18
27NTRS1711090MM	4" x 4" x 3"	-	-	-	4" => 110 mm	0.26	3" => 90 mm	0.21
27NTRS1712550MM	5" x 5" x 1½"	-	-	-	5" => 125 mm	0.29	1½" => 50 mm	0.12
27NTRS1712563MM	5" x 5" x 2"	-	-	-	5" => 125 mm	0.29	2" => 63 mm	0.15
27NTRS1712575MM	5" x 5" x 2½"	-	-	-	5" => 125 mm	0.29	2½" => 75 mm	0.18
27NTRS1712590MM	5" x 5" x 3"	-	-	-	5" => 125 mm	0.29	3" => 90 mm	0.21
27NTRS17125110MM	5" x 5" x 4"	-	-	-	5" => 125 mm	0.29	4" => 110 mm	0.26
27NTRS1716063MM	6" x 6" x 2"	12	6.23	0.6356	6" => 160 mm	0.37	2" => 63 mm	0.15
27NTRS1716075MM	6" x 6" x 2½"	-	-	-	6" => 160 mm	0.37	2½" => 75 mm	0.18
27NTRS1716090MM	6" x 6" x 3"	-	-	-	6" => 160 mm	0.37	3" => 90 mm	0.21
27NTRS17160110MM	6" x 6" x 4"	-	-	-	6" => 160 mm	0.37	4" => 110 mm	0.26
27NTRS17160125MM	6" x 6" x 5"	-	-	-	6" => 160 mm	0.37	5" => 125 mm	0.29
27NTRS1720090MM	8" x 8" x 3"	-	-	-	8" => 200 mm	0.47	3" => 90 mm	0.21
27NTRS17200110MM	8" x 8" x 4"	-	-	-	8" => 200 mm	0.47	4" => 110 mm	0.26
27NTRS17200160MM	8" x 8" x 6"	-	-	-	8" => 200 mm	0.47	6" => 160 mm	0.37
27NTRS1725090MM	10" x 10" x 3"	-	-	-	10" => 250 mm	0.58	3" => 90 mm	0.21
27NTRS17250110MM	10" x 10" x 4"	-	-	-	10" => 250 mm	0.58	4" => 110 mm	0.26
27NTRS17250160MM	10" x 10" x 6"	-	-	-	10" => 250 mm	0.58	6" => 160 mm	0.37
27NTRS17250200MM	10" x 10" x 8"	-	-	-	10" => 250 mm	0.58	8" => 200 mm	0.47

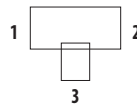
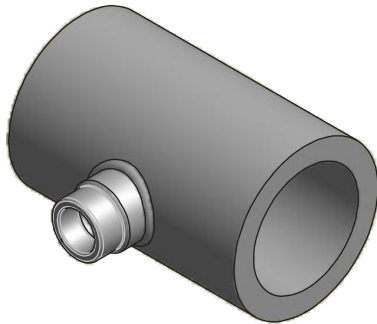
Depending on stock availability, the fitting can be supplied molded (monolithic version) or composed (molded tee + reducing spigot).

The company reserves the right to provide a monolithic or composed fitting depending on internal needs.

Measures on request.

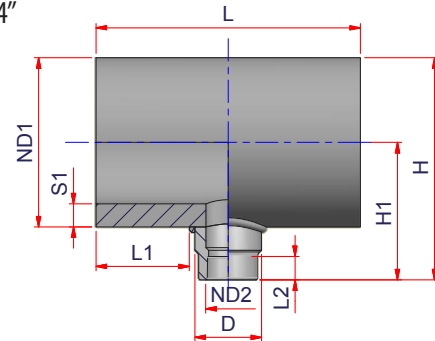


FEMALE SIDE FUSION REDUCED TEE



Material: PP-RCT

Range: $\varnothing 3'' \times 3'' \times 1 \frac{1}{4}'' \div 14'' \times 14'' \times 4''$



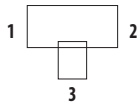
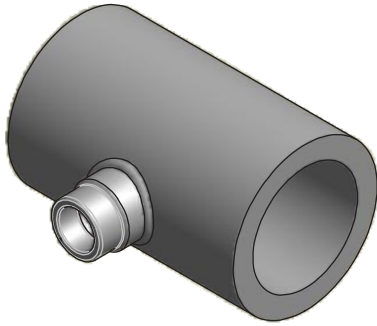
SDR 11

Code	\varnothing (1x2x3)	Carton Qty	Weight lb/p.	Volume ft ³ /p.	ND1	ND2	S1	D	L1	L2	L	H1	H
27NTR119040F90	3" x 3" x 1 1/4"	1	2.75	-	3" => 90 mm	1 1/4" => 40 mm	0.32	2.48	2.95	0.87	8.98	3.66	5.43
27NTR119050F90	3" x 3" x 1 1/2"	1	2.86	-	3" => 90 mm	1 1/2" => 50 mm	0.32	2.76	2.95	0.98	9.26	3.86	5.63
27NTR119063F90	3" x 3" x 2"	1	3.08	-	3" => 90 mm	2" => 63 mm	0.32	3.54	2.95	1.14	10.04	4.17	5.94
27NTR1111040F110	4" x 4" x 1 1/4"	1	3.30	-	4" => 110 mm	1 1/4" => 40 mm	0.39	2.48	3.05	0.87	9.17	4.05	6.22
27NTR1111050F110	4" x 4" x 1 1/2"	1	3.52	-	4" => 110 mm	1 1/2" => 50 mm	0.39	2.76	3.05	0.98	9.45	4.25	6.42
27NTR1111063F110	4" x 4" x 2"	1	3.74	-	4" => 110 mm	2" => 63 mm	0.39	3.54	3.05	1.14	10.23	4.56	6.73
27NTR1112540F125	5" x 5" x 1 1/4"	1	3.96	-	5" => 125 mm	1 1/4" => 40 mm	0.45	2.48	3.35	0.87	9.76	4.35	6.81
27NTR1112550F125	5" x 5" x 1 1/2"	1	5.50	-	5" => 125 mm	1 1/2" => 50 mm	0.45	2.76	3.35	0.98	10.04	4.55	7.01
27NTR1112563F125	5" x 5" x 2"	1	5.72	-	5" => 125 mm	2" => 63 mm	0.45	3.54	3.35	1.14	10.82	4.86	7.32
27NTR1112575F125	5" x 5" x 2 1/2"	1	5.94	-	5" => 125 mm	2 1/2" => 75 mm	0.45	4.33	3.35	1.30	11.61	4.51	6.97
27NTR1112590F125	5" x 5" x 3"	1	6.16	-	5" => 125 mm	3" => 90 mm	0.45	4.88	3.35	1.46	12.16	4.31	6.77
27NTR1116040F160	6" x 6" x 1 1/4"	1	6.60	-	6" => 160 mm	1 1/4" => 40 mm	0.58	2.48	3.44	0.87	9.96	5.04	8.19
27NTR1116050F160	6" x 6" x 1 1/2"	1	7.04	-	6" => 160 mm	1 1/2" => 50 mm	0.58	2.76	3.44	0.98	10.24	5.24	9.02
27NTR1116063F160	6" x 6" x 2"	1	7.48	-	6" => 160 mm	2" => 63 mm	0.58	3.54	3.44	1.14	11.02	5.55	8.70
27NTR1116075F160	6" x 6" x 2 1/2"	1	7.92	-	6" => 160 mm	2 1/2" => 75 mm	0.58	4.33	3.44	1.30	11.81	5.20	8.35
27NTR1116090F160	6" x 6" x 3"	1	8.36	-	6" => 160 mm	3" => 90 mm	0.58	4.88	3.44	1.46	12.36	5.00	8.15
27NTR1120040F200	8" x 8" x 1 1/4"	1	8.80	-	8" => 200 mm	1 1/4" => 40 mm	0.72	2.48	3.64	0.87	10.35	5.82	9.76
27NTR1120050F200	8" x 8" x 1 1/2"	1	9.24	-	8" => 200 mm	1 1/2" => 50 mm	0.72	2.76	3.64	0.98	10.63	6.02	9.96
27NTR1120063F200	8" x 8" x 2"	1	9.68	-	8" => 200 mm	2" => 63 mm	0.72	3.54	3.64	1.14	11.41	6.33	10.27
27NTR1120075F200	8" x 8" x 2 1/2"	1	10.12	-	8" => 200 mm	2 1/2" => 75 mm	0.72	4.33	3.64	1.30	12.2	5.98	9.92
27NTR1120090F200	8" x 8" x 3"	1	10.56	-	8" => 200 mm	3" => 90 mm	0.72	4.88	3.64	1.46	12.75	5.78	9.72
27NTR1125040F250	10" x 10" x 1 1/4"	1	11.00	-	10" => 250 mm	1 1/4" => 40 mm	0.89	2.48	4.33	0.87	11.73	6.81	11.73
27NTR1125050F250	10" x 10" x 1 1/2"	1	11.44	-	10" => 250 mm	1 1/2" => 50 mm	0.89	2.76	4.33	0.98	12.01	7.01	11.93
27NTR1125063F250	10" x 10" x 2"	1	11.88	-	10" => 250 mm	2" => 63 mm	0.89	3.54	4.33	1.14	12.79	7.32	12.24
27NTR1125075F250	10" x 10" x 2 1/2"	1	12.32	-	10" => 250 mm	2 1/2" => 75 mm	0.89	4.33	4.33	1.30	13.58	6.97	11.89

follow

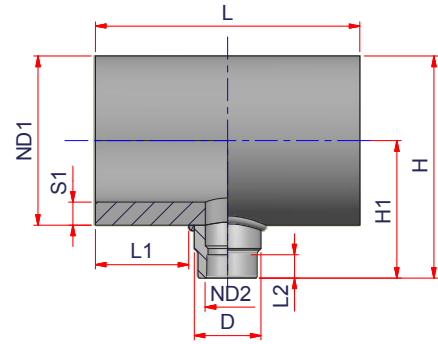


FEMALE SIDE FUSION REDUCED TEE



Material: PP-RCT

Range: $\varnothing 3'' \times 3'' \times 1 \frac{1}{4}'' \div 14'' \times 14'' \times 4''$

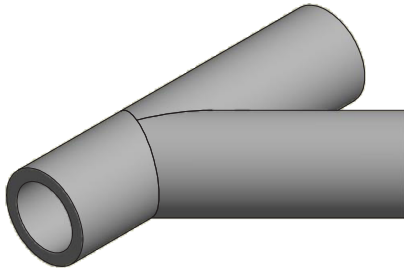


SDR 11

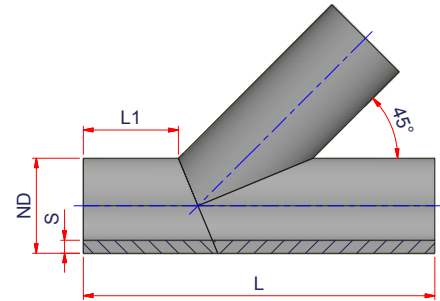
Code	\varnothing (1x2x3)	Carton Qty	Weight lb/p.	Volume ft ³ /p.	ND1	ND2	S1	D	L1	L2	L	H1	H
27NTR1125090F250	10" x 10" x 3"	1	12.76	-	10" => 250 mm	3" => 90 mm	0.89	4.88	4.33	1.46	14.13	6.77	11.69
27NTR1131540F315	12" x 12" x 1 ¼"	1	13.20	-	12" => 315 mm	1 ¼" => 40 mm	1.13	2.48	4.72	0.87	12.52	8.09	14.29
27NTR1131550F315	12" x 12" x 1 ½"	1	13.64	-	12" => 315 mm	1 ½" => 50 mm	1.13	2.76	4.72	0.98	12.80	8.29	14.49
27NTR1131563F315	12" x 12" x 2"	1	14.08	-	12" => 315 mm	2" => 63 mm	1.13	3.54	4.72	1.14	13.58	8.6	14.80
27NTR1131575F315	12" x 12" x 2 ½"	1	14.52	-	12" => 315 mm	2 ½" => 75 mm	1.13	4.33	4.72	1.30	14.37	8.25	14.45
27NTR1131590F315	12" x 12" x 3"	1	14.96	-	12" => 315 mm	3" => 90 mm	1.13	4.88	4.72	1.46	14.92	8.05	14.25
27NTR1135540F355	14" x 14" x 1 ¼"	1	15.40	-	14" => 355 mm	1 ¼" => 40 mm	1.27	2.48	5.12	0.87	13.31	8.88	15.87
27NTR1135550F355	14" x 14" x 1 ½"	1	15.84	-	14" => 355 mm	1 ½" => 50 mm	1.27	2.76	5.12	0.98	13.59	9.08	16.07
27NTR1135563F355	14" x 14" x 2"	1	16.28	-	14" => 355 mm	2" => 63 mm	1.27	3.54	5.12	1.14	14.37	9.39	16.38
27NTR1135575F355	14" x 14" x 2 ½"	1	16.72	-	14" => 355 mm	2 ½" => 75 mm	1.27	4.33	5.12	1.30	15.16	9.04	16.03
27NTR1135590F355	14" x 14" x 4"	1	17.16	-	14" => 355 mm	4" => 110 mm	1.27	4.88	5.12	1.46	15.71	8.84	15.83



WYE LATERAL 45° - LONG SPIGOT



Material: PP-RCT
Range: \varnothing 3" ÷ 6"

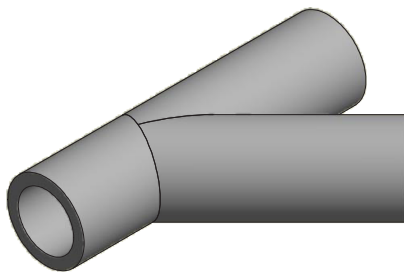


SDR 7.3

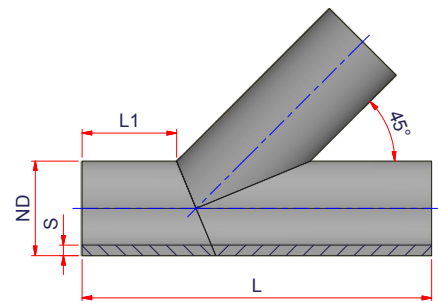
Code	\varnothing (1x2x3)	Carton Qty	Weight lb/p.	Volume ft ³ /p.	ND	S	L1	L
27NWYE73090	3"	-	-	-	3" => 90 mm	0.48	7.87	21.89
27NWYE73110	4"	-	-	-	4" => 110 mm	0.59	7.87	21.89
27NWYE73125	5"	-	-	-	5" => 125 mm	0.67	7.87	22.72
27NWYE73160	6"	-	-	-	6" => 160 mm	0.86	7.87	24.65



WYE LATERAL 45° - LONG SPIGOT



Material: PP-RCT
Range: \varnothing 3" ÷ 6"

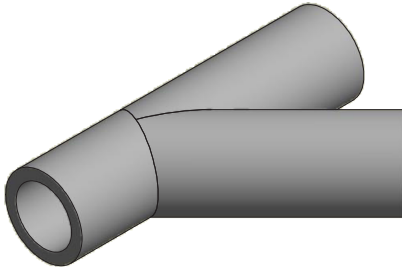


SDR 9

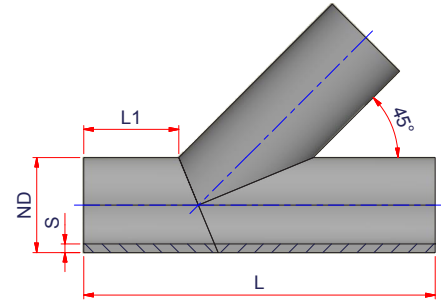
Code	\varnothing (1x2x3)	Carton Qty	Weight lb/p.	Volume ft ³ /p.	ND1	S	L1	L
27NWYE9090	3"	-	-	-	3" => 90 mm	0.40	7.87	21.89
27NWYE9110	4"	-	-	-	4" => 110 mm	0.48	7.87	21.89
27NWYE9125	5"	-	-	-	5" => 125 mm	0.55	7.87	22.72
27NWYE9160	6"	-	-	-	6" => 160 mm	0.70	7.87	24.65



WYE LATERAL 45° - LONG SPIGOT



Material: PP-RCT
Range: $\varnothing 3'' \div 16''$



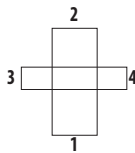
SDR 11

Code	\varnothing (1x2x3)	Carton Qty	Weight lb/p.	Volume ft ³ /p.	ND1	S	L1	L
27NWYE11090	3"	-	-	-	3" => 90 mm	0.32	7.87	21.89
27NWYE11110	4"	-	-	-	4" => 110 mm	0.39	7.87	21.89
27NWYE11125	5"	-	-	-	5" => 125 mm	0.45	7.87	22.72
27NWYE11160	6"	-	-	-	6" => 160 mm	0.58	7.87	24.65
27NWYE11200	8"	-	-	-	8" => 200 mm	0.72	7.87	29.13
27NWYE11250	10"	-	-	-	10" => 250 mm	0.89	9.84	37.80
27NWYE11315	12"	-	-	-	12" => 315 mm	1.13	9.84	45.28
27NWYE11355	14"	-	-	-	14" => 355 mm	1.27	9.84	50.79
27NWYE11400	16"	-	-	-	16" => 400 mm	1.43	9.84	55.31

SDR 17

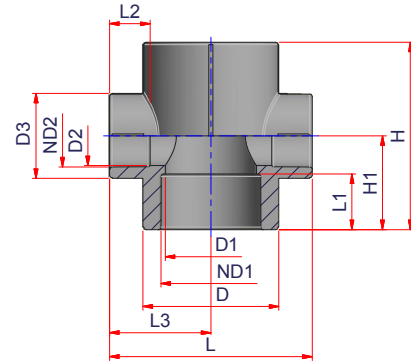
Code	\varnothing (1x2x3)	Carton Qty	Weight lb/p.	Volume ft ³ /p.	ND1	S	L1	L
27NWYE1790	3"	-	-	-	3" => 90 mm	0.21	7.87	21.89
27NWYE17110	4"	-	-	-	4" => 110 mm	0.26	7.87	21.89
27NWYE17125	5"	-	-	-	5" => 125 mm	0.29	7.87	22.72
27NWYE17160	6"	-	-	-	6" => 160 mm	0.37	7.87	24.65
27NWYE17200	8"	-	-	-	8" => 200 mm	0.47	7.87	29.13
27NWYE17250	10"	-	-	-	10" => 250 mm	0.58	9.84	37.80
27NWYE17315	12"	-	-	-	12" => 315 mm	0.74	9.84	45.28
27NWYE17355	14"	-	-	-	14" => 355 mm	0.83	9.84	50.79
27NWYE17400	16"	-	-	-	16" => 400 mm	0.93	9.84	55.31
27NWYE17450	18"	-	-	-	18" => 450 mm	1.05	10.63	59.84
27NWYE17500	20"	-	-	-	20" => 500 mm	1.17	11.81	63.98

REDUCED CROSS - SOCKET FUSION



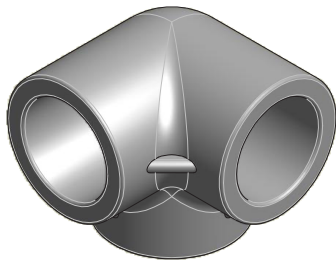
Material: PP-RCT

Range: $\varnothing 1\frac{1}{4}'' \times 1\frac{1}{4}'' \times \frac{1}{2}'' \times \frac{1}{2}'' \div \varnothing 1\frac{1}{4}'' \times 1\frac{1}{4}'' \times \frac{3}{4}'' \times \frac{3}{4}''$



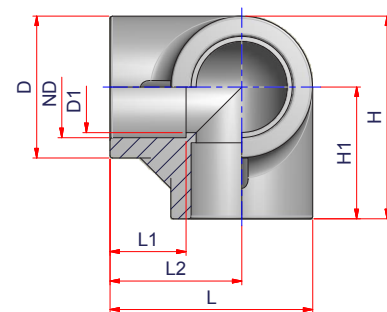
Code	\varnothing (1x2x3x4)	Carton Qty	Weight lb/p.	Volume ft ³ /p.	ND1	ND2	D1	D2	D3	D	L1	L2	L3	L	H1	H
27NCR402020	1 $\frac{1}{4}'' \times 1\frac{1}{4}'' \times \frac{1}{2}'' \times \frac{1}{2}''$	16	0.22	0.0211	1 $\frac{1}{4}'' \Rightarrow 40$ mm	$\frac{1}{2}'' \Rightarrow 20$ mm	1.42	0.65	1.30	2.09	0.87	0.63	1.46	2.91	1.58	3.15
27NCR402525	1 $\frac{1}{4}'' \times 1\frac{1}{4}'' \times \frac{3}{4}'' \times \frac{3}{4}''$	16	0.19	0.0183	1 $\frac{1}{4}'' \Rightarrow 40$ mm	$\frac{3}{4}'' \Rightarrow 25$ mm	1.42	0.93	1.30	2.09	0.87	0.63	1.49	2.91	1.58	3.15

SIDE ELBOW THREE OUTLETS - SOCKET FUSION



Material: PP-RCT

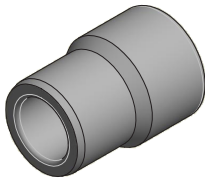
Range: $\varnothing \frac{1}{2}''$



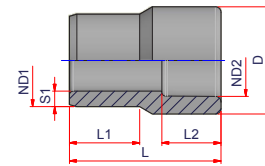
Code	\varnothing	Carton Qty	Weight lb/p.	Volume ft ³ /p.	ND	D1	D	L1	L2	L	H1	H
27NCTV20	$\frac{1}{2}''$	150	0.05	0.0038	$\frac{1}{2}'' \Rightarrow 20$ mm	0.71	1.10	0.59	1.02	1.58	1.02	1.58

REDUCING BUSHING- SOCKET FUSION

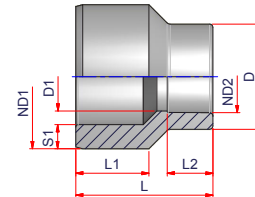
(A)



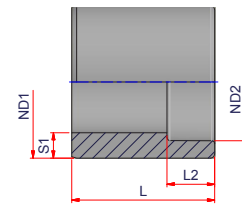
Material: PP-RCT
Range: $\varnothing \frac{3}{4}'' \times \frac{1}{2}'' \div 6'' \times 5''$



(B)



(C)



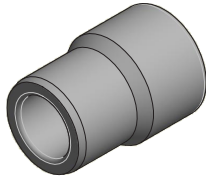
Code	\varnothing	Type	Carton Qty	Weight lb/p.	Volume ft ³ /p.	ND1	ND2	S1	D1	D	L1	L2	L
27NR2520	$\frac{3}{4}'' \times \frac{1}{2}''$	A	100	0.03	0.0028	$\frac{3}{4}'' = > 25 \text{ mm}$	$\frac{1}{2}'' = > 20 \text{ mm}$	0.17	-	1.14	0.75	0.63	1.61
27NR3220	$1'' \times \frac{1}{2}''$	B	80	0.04	0.0035	$1'' = > 32 \text{ mm}$	$\frac{1}{2}'' = > 20 \text{ mm}$	0.21	0.63	1.06	0.87	0.63	1.52
27NR3225	$1'' \times \frac{3}{4}''$	A	80	0.05	0.0158	$1'' = > 32 \text{ mm}$	$\frac{3}{4}'' = > 25 \text{ mm}$	0.21	-	1.38	0.87	0.67	1.73
27NR4020	$1\frac{1}{4}'' \times \frac{1}{2}''$	B	70	0.07	0.0042	$1\frac{1}{4}'' = > 40 \text{ mm}$	$\frac{1}{2}'' = > 20 \text{ mm}$	0.26	0.63	1.14	0.98	0.63	1.77
27NR4025	$1\frac{1}{4}'' \times \frac{3}{4}''$	B	60	0.07	0.0049	$1\frac{1}{4}'' = > 40 \text{ mm}$	$\frac{3}{4}'' = > 25 \text{ mm}$	0.26	0.83	1.38	0.98	0.67	1.77
27NR4032	$1\frac{1}{4}'' \times 1''$	A	40	0.09	0.0074	$1\frac{1}{4}'' = > 40 \text{ mm}$	$1'' = > 32 \text{ mm}$	0.26	-	1.81	0.98	0.79	1.97
27NR5020	$1\frac{1}{2}'' \times \frac{1}{2}''$	B	40	0.11	0.0074	$1\frac{1}{2}'' = > 50 \text{ mm}$	$\frac{1}{2}'' = > 20 \text{ mm}$	0.27	0.63	1.14	1.10	0.63	2.09
27NR5025	$1\frac{1}{2}'' \times \frac{3}{4}''$	B	40	0.12	0.0074	$1\frac{1}{2}'' = > 50 \text{ mm}$	$\frac{3}{4}'' = > 25 \text{ mm}$	0.27	0.83	1.38	1.10	0.67	2.09
27NR5032	$1\frac{1}{2}'' \times 1''$	B	45	0.12	0.0063	$1\frac{1}{2}'' = > 50 \text{ mm}$	$1'' = > 32 \text{ mm}$	0.27	1.18	1.81	1.10	0.79	2.09
27NR5040	$1\frac{1}{2}'' \times 1\frac{1}{4}''$	A	35	0.14	0.0084	$1\frac{1}{2}'' = > 50 \text{ mm}$	$1'' = > 32 \text{ mm}$	0.33	-	2.21	1.10	0.87	2.17
27NR6325	$2'' \times \frac{3}{4}''$	B	20	0.18	0.0144	$2'' = > 63 \text{ mm}$	$\frac{3}{4}'' = > 25 \text{ mm}$	0.41	0.83	1.38	1.26	0.67	3.36
27NR6332	$2'' \times 1''$	B	20	0.20	0.0144	$2'' = > 63 \text{ mm}$	$1'' = > 32 \text{ mm}$	0.41	1.18	1.81	1.26	0.79	3.36
27NR6340	$2'' \times 1\frac{1}{4}''$	B	20	0.21	0.0144	$2'' = > 63 \text{ mm}$	$1\frac{1}{4}'' = > 40 \text{ mm}$	0.41	1.46	2.21	1.26	0.87	3.36
27NR6350	$2'' \times 1\frac{1}{2}''$	A	20	0.26	0.0144	$2'' = > 63 \text{ mm}$	$\frac{1}{2}'' = > 20 \text{ mm}$	0.41	-	2.76	1.26	0.98	2.13
27NR7520	$2\frac{1}{2}'' \times \frac{1}{2}''$	B	16	0.29	0.0183	$2\frac{1}{2}'' = > 75 \text{ mm}$	$\frac{1}{2}'' = > 20 \text{ mm}$	0.49	0.76	1.04	1.38	0.63	2.48
27NR7525	$2\frac{1}{2}'' \times \frac{3}{4}''$	B	20	0.29	0.0144	$2\frac{1}{2}'' = > 75 \text{ mm}$	$\frac{3}{4}'' = > 25 \text{ mm}$	0.49	0.98	1.30	1.34	0.35	2.44
27NR7532	$2\frac{1}{2}'' \times 1''$	B	24	0.26	0.0123	$2\frac{1}{2}'' = > 75 \text{ mm}$	$1'' = > 32 \text{ mm}$	0.49	1.10	1.69	1.35	0.81	2.48
27NR7540	$2\frac{1}{2}'' \times 1\frac{1}{4}''$	B	18	0.29	0.0162	$2\frac{1}{2}'' = > 75 \text{ mm}$	$1\frac{1}{4}'' = > 40 \text{ mm}$	0.49	1.46	2.10	1.36	0.91	2.48
27NR7550	$2\frac{1}{2}'' \times 1\frac{1}{2}''$	B	18	0.28	0.0162	$2\frac{1}{2}'' = > 75 \text{ mm}$	$\frac{1}{2}'' = > 20 \text{ mm}$	0.49	1.97	2.60	1.34	0.79	2.32
27NR7563	$2\frac{1}{2}'' \times 2''$	A	15	0.41	0.0194	$2\frac{1}{2}'' = > 75 \text{ mm}$	$2'' = > 63 \text{ mm}$	0.49	-	3.27	1.42	1.14	2.91

follow ...

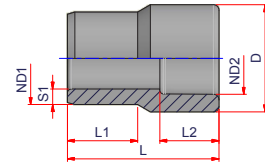


REDUCING BUSHING - SOCKET FUSION

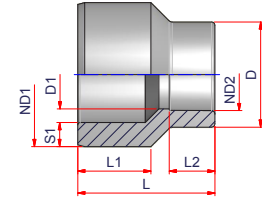
(A)



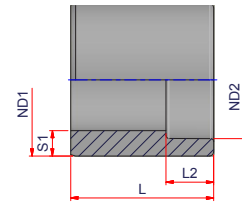
Material: PP-RCT
Range: $\varnothing 3/4'' \times 1/2'' \div 6'' \times 5''$



(B)



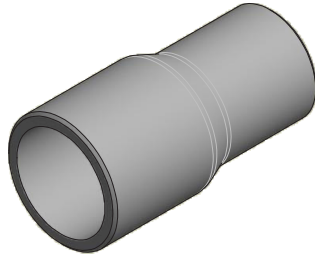
(C)



Code	\varnothing	Type	Carton Qty	Weight lb/p.	Volume ft ³ /p.	ND1	ND2	S1	D1	D	L1	L2	L
27NR9063	3" x 2"	C	10	0.55	0.0293	3" => 90 mm	2" => 63 mm	0.59	-	-	-	1.10	2.83
27NR9075	3" x 2 1/2"	A	18	0.51	0.0328	3" => 90 mm	2 1/2" => 75 mm	0.59	-	3.78	1.46	1.34	3.15
27NR11063	4" x 2"	B	12	0.79	0.0494	4" => 110 mm	2" => 63 mm	0.72	2.32	3.46	1.81	1.14	3.15
27NR11075	4" x 2 1/2"	C	12	0.83	0.0494	4" => 110 mm	2 1/2" => 75 mm	0.72	-	-	-	1.26	3.15
27NR11090	4" x 3"	A	5	1.54	0.1187	4" => 110 mm	3" => 90 mm	0.72	-	5.12	2.17	1.38	4.33
27NR12590	5" x 3"	C	4	1.65	0.0731	5" => 125 mm	3" => 90 mm	0.82	-	-	-	1.34	3.94
27NR125110	5" x 4"	A	24	1.47	0.1177	5" => 125 mm	4" => 110 mm	0.82	-	5.47	1.97	1.69	4.49
27NR160110	6" x 4"	C	25	2.46	0.1130	6" => 160 mm	4" => 110 mm	1.05	-	-	-	1.50	4.13
27NR160125	6" x 5"	C	25	2.16	0.1130	6" => 160 mm	5" => 125 mm	1.05	-	-	-	1.65	4.13



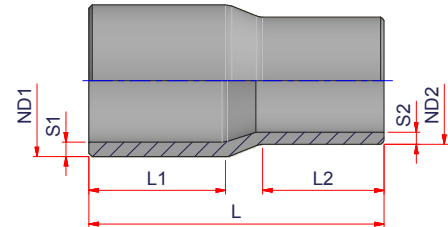
MALE CONCENTRIC REDUCER - LONG SPIGOT



Material: PP-RCT

Range: $\varnothing 2\frac{1}{2}'' \times 1\frac{1}{4}'' \div 8'' \times 6''$

Notes: For butt welding or E/F welding



SDR 11

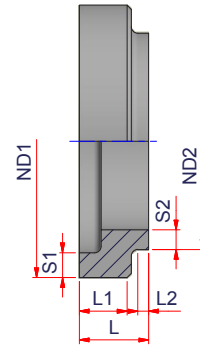
Code	\varnothing	Carton Qty	Weight lb/p.	Volume ft ³ /p.	ND1	ND2	S1	S2	L1	L2	L
27NR754011MM	2 ½" x 1 ¼"	16	0.36	0.0370	2 ½" => 75 mm	1 ¼" => 40 mm	0.27	0.15	2.56	1.89	5.63
27NR755011MM	2 ½" x 1 ½"	16	0.39	0.0370	2 ½" => 75 mm	1 ½" => 50 mm	0.27	0.18	2.56	1.89	5.55
27NR756311MM	2 ½" x 2"	12	0.50	0.0494	2 ½" => 75 mm	2" => 63 mm	0.27	0.23	2.80	2.52	5.90
27NR905011MM	3" x 1 ½"	12	0.55	0.0494	3" => 90 mm	1 ½" => 50 mm	0.32	0.18	2.87	2.24	5.98
27NR906311MM	3" x 2"	12	0.57	0.0522	3" => 90 mm	2" => 63 mm	0.32	0.23	2.80	2.24	5.90
27NR907511MM	3" x 2 ½"	9	0.73	0.0656	3" => 90 mm	2 ½" => 75 mm	0.32	0.27	3.19	2.84	6.89
27NR1106311MM	4" x 2"	6	0.94	0.0988	4" => 110 mm	2" => 63 mm	0.39	0.23	3.35	2.76	6.89
27NR1107511MM	4" x 2 ½"	6	1.03	0.1024	4" => 110 mm	2 ½" => 75 mm	0.39	0.27	3.47	2.28	7.28
27NR1109011MM	4" x 3"	6	1.04	0.0988	4" => 110 mm	3" => 90 mm	0.39	0.32	3.07	2.76	6.89
27NR1257511MM	5" x 2 ½"	3	1.43	0.1974	5" => 125 mm	2 ½" => 75 mm	0.45	0.27	3.62	2.36	7.84
27NR1259011MM	5" x 3"	1	1.65	-	5" => 125 mm	3" => 90 mm	0.45	0.32	3.39	2.76	7.32
27NR12511011MM	5" x 4"	1	1.76	-	5" => 125 mm	4" => 110 mm	0.45	0.39	3.50	3.03	7.36
27NR16011011MM	6" x 4"	12	2.84	0.2355	6" => 160 mm	4" => 110 mm	0.57	0.39	4.06	3.46	8.46
27NR16012511MM	6" x 5"	1	3.30	-	6" => 160 mm	5" => 125 mm	0.57	0.45	4.02	3.58	8.43
27NR20016011MM	8" x 6"	22	4.80	0.3467	8" => 200 mm	6" => 160 mm	0.72	0.58	4.65	3.98	9.45



MALE CONCENTRIC REDUCER - SHORT SPIGOT



Material: PP-RCT
 Range: \varnothing 10" x 6" ÷ 20" x 18"
 Notes: For butt welding

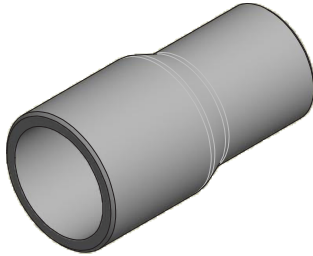


SDR 11

Code	\varnothing	Carton Qty	Weight lb/p.	Volume ft ³ /p.	ND1	ND2	S1	S2	L1	L2	L
27NRCC25016011MM	10" x 6"	-	-	-	10" => 250 mm	6" => 160 mm	0.89	0.58	2.07	0.69	3.15
27NRCC25020011MM	10" x 8"	-	-	-	10" => 250 mm	8" => 200 mm	0.89	0.72	-	-	-
27NRCC31516011MM	12" x 6"	-	-	-	12" => 315 mm	6" => 160 mm	1.13	0.58	-	-	-
27NRCC31520011MM	12" x 8"	-	-	-	12" => 315 mm	8" => 200 mm	1.13	0.72	-	-	-
27NRCC31525011MM	12" x 10"	-	-	-	12" => 315 mm	10" => 250 mm	1.13	0.89	2.17	0.49	3.15
27NRCC35520011MM	14" x 8"	-	-	-	14" => 355 mm	8" => 200 mm	1.27	0.72	-	-	-
27NRCC35525011MM	14" x 10"	-	-	-	14" => 355 mm	10" => 250 mm	1.27	0.89	2.20	0.55	3.15
27NRCC35531511MM	14" x 12"	-	-	-	14" => 355 mm	12" => 315 mm	1.27	1.13	2.76	0.79	3.94
27NRCC40025011MM	16" x 10"	-	-	-	16" => 400 mm	10" => 250 mm	1.43	0.89	-	-	-
27NRCC40031511MM	16" x 12"	-	-	-	16" => 400 mm	12" => 315 mm	1.43	1.13	-	-	-
27NRCC40035511MM	16" x 14"	-	-	-	16" => 400 mm	14" => 355 mm	1.43	1.27	2.76	0.79	3.94
27NRCC45031511MM	18" x 12"	-	-	-	18" => 450 mm	12" => 315 mm	1.61	1.13	-	-	-
27NRCC45035511MM	18" x 14"	-	-	-	18" => 450 mm	14" => 355 mm	1.61	1.27	-	-	-
27NRCC45040011MM	18" x 16"	-	-	-	18" => 450 mm	16" => 400 mm	1.61	1.43	-	-	-
27NRCC50035511MM	20" x 14"	-	-	-	20" => 500 mm	14" => 355 mm	1.79	1.27	2.85	0.59	3.94
27NRCC50040011MM	20" x 16"	-	-	-	20" => 500 mm	16" => 400 mm	1.79	1.43	-	-	-
27NRCC50045011MM	20" x 18"	-	-	-	20" => 500 mm	18" => 450 mm	1.79	1.61	-	-	-



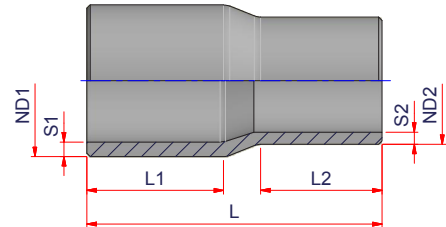
MALE CONCENTRIC REDUCER - LONG SPIGOT



Material: PP-RCT

Range: $\varnothing 2\frac{1}{2}'' \times 1\frac{1}{4}'' \div 8'' \times 6''$

Notes: For butt welding or E/F welding



SDR 17

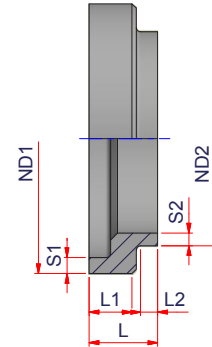
Code	\varnothing	Carton Qty	Weight lb/p.	Volume ft ³ /p.	ND1	ND2	S1	S2	L1	L2	L
27NR754017MM	2 ½" x 1 ¼"	16	0.35	0.0370	2 ½" => 75 mm	1 ¼" => 40 mm	0.18	0.09	2.56	1.89	5.63
27NR755017MM	2 ½" x 1 ½"	16	0.34	0.0370	2 ½" => 75 mm	1 ½" => 50 mm	0.18	0.12	2.56	1.89	5.55
27NR756317MM	2 ½" x 2"	14	0.35	0.0423	2 ½" => 75 mm	2" => 63 mm	0.18	0.15	2.80	2.52	5.90
27NR905017MM	3" x 1 ½"	18	0.49	0.0328	3" => 90 mm	1 ½" => 50 mm	0.21	0.12	2.87	2.24	5.98
27NR906317MM	3" x 2"	75	0.47	0.0377	3" => 90 mm	2" => 63 mm	0.21	0.15	2.80	2.24	5.90
27NR907517MM	3" x 2 ½"	1	0.73	0.0657	3" => 90 mm	2 ½" => 75 mm	0.21	0.18	3.19	2.84	6.89
27NR1106317MM	4" x 2"	45	0.76	0.0628	4" => 110 mm	2" => 63 mm	0.26	0.15	3.35	2.76	6.89
27NR1107517MM	4" x 2 ½"	1	-	-	4" => 110 mm	2 ½" => 75 mm	0.26	0.18	3.47	2.28	7.28
27NR1109017MM	4" x 3"	45	0.83	0.0628	4" => 110 mm	3" => 90 mm	0.26	0.21	3.07	2.76	6.89
27NR1257517MM	5" x 2 ½"	3	1.25	0.1974	5" => 125 mm	2 ½" => 75 mm	0.29	0.18	3.62	2.36	7.84
27NR1259017MM	5" x 3"	4	1.43	0.1483	5" => 125 mm	3" => 90 mm	0.29	0.21	3.39	2.76	7.32
27NR12511017MM	5" x 4"	20	1.27	0.1412	5" => 125 mm	4" => 110 mm	0.29	0.26	3.50	3.03	7.36
27NR16011017MM	6" x 4"	12	2.02	0.2355	6" => 160 mm	4" => 110 mm	0.37	0.26	4.06	3.46	8.46
27NR16012517MM	6" x 5"	12	2.20	0.2355	6" => 160 mm	5" => 125 mm	0.37	0.29	4.02	3.58	8.43
27NR20016017MM	8" x 6"	63	3.78	0.2722	8" => 200 mm	6" => 160 mm	0.47	0.37	4.65	3.98	9.45



MALE CONCENTRIC REDUCER - SHORT SPIGOT



Material: PP-RCT
 Range: \varnothing 10" x 6" ÷ 24" x 22"
 Notes: For butt welding



SDR 17

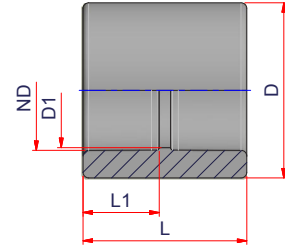
Code	\varnothing	Carton Qty	Weight lb/p.	Volume ft ³ /p.	ND1	ND2	S1	S2	L1	L2	L
27NRCC25016017MM	10" x 6"	-	-	-	10" => 250 mm	6" => 160 mm	0.58	0.37	-	0.67	3.15
27NRCC25020017MM	10" x 8"	-	-	-	10" => 250 mm	8" => 200 mm	0.58	0.47	2.36	0.59	3.15
27NRCC31516017MM	12" x 6"	-	-	-	12" => 315 mm	6" => 160 mm	0.74	0.37	-	0.71	3.15
27NRCC31520017MM	12" x 8"	-	-	-	12" => 315 mm	8" => 200 mm	0.74	0.47	-	0.59	3.15
27NRCC31525017MM	12" x 10"	-	-	-	12" => 315 mm	10" => 250 mm	0.74	0.58	1.89	0.79	3.15
27NRCC35520017MM	14" x 8"	-	-	-	14" => 355 mm	8" => 200 mm	0.83	0.47	-	-	-
27NRCC35525017MM	14" x 10"	-	-	-	14" => 355 mm	10" => 250 mm	0.83	0.58	1.97	0.79	3.15
27NRCC35531517MM	14" x 12"	15	5.06	0.5085	14" => 355 mm	12" => 315 mm	0.83	0.74	1.97	0.79	3.15
27NRCC40025017MM	16" x 10"	-	-	-	16" => 400 mm	10" => 250 mm	0.93	0.58	2.17	0.59	3.15
27NRCC40031517MM	16" x 12"	-	-	-	16" => 400 mm	12" => 315 mm	0.93	0.74	2.17	0.59	3.15
27NRCC40035517MM	16" x 14"	-	-	-	16" => 400 mm	14" => 355 mm	0.93	0.83	2.07	0.69	3.15
27NRCC45031517MM	18" x 12"	-	-	-	18" => 450 mm	12" => 315 mm	1.05	0.74	-	-	-
27NRCC45035517MM	18" x 14"	-	-	-	18" => 450 mm	14" => 355 mm	1.05	0.83	-	-	-
27NRCC45040017MM	18" x 16"	-	-	-	18" => 450 mm	16" => 400 mm	1.05	0.93	-	-	-
27NRCC50035517MM	20" x 14"	-	-	-	20" => 500 mm	14" => 355 mm	1.17	0.83	2.68	0.87	3.94
27NRCC50040017MM	20" x 16"	-	-	-	20" => 500 mm	16" => 400 mm	1.17	0.93	-	-	-
27NRCC50045017MM	20" x 18"	-	-	-	20" => 500 mm	18" => 450 mm	1.17	1.05	-	-	-
27NRCC56040017MM	22" x 16"	-	-	-	22" => 560 mm	16" => 400 mm	1.31	0.93	-	-	-
27NRCC56045017MM	22" x 18"	-	-	-	22" => 560 mm	18" => 450 mm	1.31	1.05	-	-	-
27NRCC56050017MM	22" x 20"	-	-	-	22" => 560 mm	20" => 500 mm	1.31	1.17	-	-	-
27NRCC63045017MM	24" x 18"	-	-	-	24" => 630 mm	22" => 560 mm	1.47	1.31	-	-	-
27NRCC63050017MM	24" x 20"	-	-	-	24" => 630 mm	20" => 500 mm	1.47	1.17	-	-	-
27NRCC63056017MM	24" x 22"	-	-	-	24" => 630 mm	22" => 560 mm	1.47	1.31	-	-	-



COUPLING - SOCKET FUSION



Material: PP-RCT
Range: $\varnothing 1/2" \div 5"$

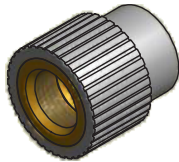


Code	\varnothing	Carton Qty	Weight lb/p.	Volume ft ³ /p.	ND	D1	D	L1	L
27NMAN20	1/2"	300	0.03	0.0021	1/2" => 20 mm	0.71	1.14	0.67	1.38
27NMAN25	3/4"	150	0.04	0.0038	3/4" => 25 mm	0.79	1.38	0.71	1.54
27NMAN32	1"	40	0.09	0.0074	1" => 32 mm	1.18	1.81	0.79	1.69
27NMAN40	1 1/4"	50	0.14	0.0120	1 1/4" => 40 mm	1.46	2.21	0.87	1.89
27NMAN50	1 1/2"	20	0.24	-	1 1/2" => 50 mm	1.85	2.76	0.98	2.13
27NMAN63	2"	10	0.42	0.0293	2" => 63 mm	2.36	3.47	1.14	2.44
27NMAN75	2 1/2"	12	0.83	0.0494	2 1/2" => 75 mm	2.76	3.98	1.30	2.80
27NMAN90	3"	8	0.97	0.0741	3" => 90 mm	3.31	4.92	1.34	2.91
27NMAN110	4"	4	1.82	0.1483	4" => 110 mm	4.19	6.30	1.50	3.23
27NMAN125	5"	4	1.98	0.1483	5" => 125 mm	4.57	6.30	1.65	3.58



FEMALE THREADED ADAPTER W/NPT LEAD FREE BRASS - SOCKET FUSION

(A)

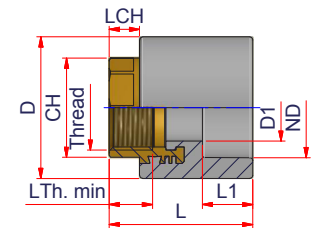
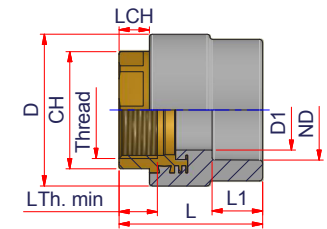
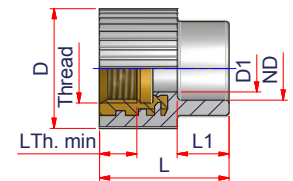


Material: PP-RCT - Brass
Range: $\emptyset 1/2'' \times 1/2'' \text{NPT} \div 5'' \times 4'' \text{NPT}$

(B)



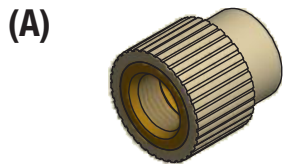
(C)



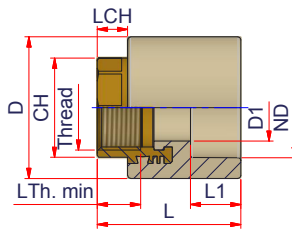
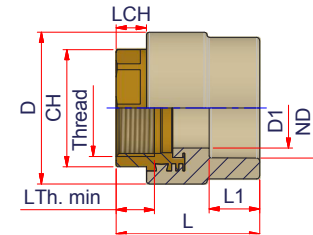
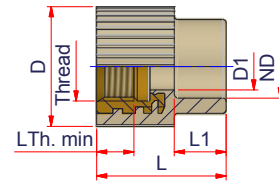
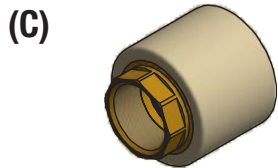
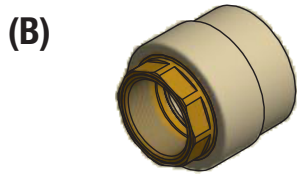
Code	\emptyset	Type	Carton Qty	Weight lb/p.	Volume ft ³ /p.	ND	Thread	L Thread min	D1	D	L1	L	CH	LCH
27NRFF2012NPT	1/2" x 1/2" NPT	A	70	0.14	0.0042	1/2" => 20 mm	1/2" NPT	0.53	0.56	1.46	0.63	1.58	-	-
27NRFF2034NPT	1/2" x 3/4" NPT	A	60	0.23	0.0049	1/2" => 20 mm	3/4" NPT	0.55	0.71	1.69	0.81	1.81	-	-
27NRFF2512NPT	3/4" x 1/2" NPT	A	70	0.14	0.0042	3/4" => 25 mm	1/2" NPT	0.53	0.56	1.46	0.67	1.61	-	-
27NRFF2534NPT	3/4" x 3/4" NPT	A	60	0.21	0.0049	3/4" => 25 mm	3/4" NPT	0.55	0.71	1.65	0.71	1.81	-	-
27NRFF3234NPT	1" x 3/4" NPT	A	40	0.26	0.0074	1" => 32 mm	3/4" NPT	0.55	0.71	1.79	0.85	2.03	-	-
27NRFF321NPT	1" x 1" NPT	A	30	0.40	0.0424	1" => 32 mm	1" NPT	0.66	0.95	2.13	0.79	2.05	-	-
27NRFF401NPT	1 1/4" x 1" NPT	C	32	0.48	0.0092	1 1/4" => 40 mm	1" NPT	0.66	0.95	2.20	0.87	2.64	1.50	0.59
27NRFF40114NPT	1 1/4" x 1 1/4" NPT	B	20	0.68	0.0145	1 1/4" => 40 mm	1 1/4" NPT	0.68	1.30	2.56	0.87	2.72	1.81	0.59
27NRFF50114NPT	1 1/2" x 1 1/4" NPT	C	18	0.70	0.0162	1 1/2" => 50 mm	1 1/4" NPT	0.68	1.30	2.76	0.98	2.80	1.81	0.59
27NRFF50112NPT	1 1/2" x 1 1/2" NPT	B	18	0.93	0.0293	1 1/2" => 50 mm	1 1/2" NPT	0.68	1.56	2.95	0.98	2.84	2.17	0.59
27NRFF63112NPT	2" x 1 1/2" NPT	C	10	1.09	0.0293	2" => 63 mm	1 1/2" NPT	0.68	1.56	3.47	1.14	2.95	2.17	0.59
27NRFF632NPT	2" x 2" NPT	B	9	1.34	0.0325	2" => 63 mm	2" NPT	0.70	1.97	3.62	1.14	3.15	2.56	0.79
27NRFF752NPT	2 1/2" x 2" NPT	C	8	1.47	0.0367	2 1/2" => 75 mm	2" NPT	0.70	1.97	4.06	1.30	3.31	2.56	0.79
27NRFF75212NPT	2 1/2" x 2 1/2" NPT	B	4	1.87	0.0731	2 1/2" => 75 mm	2 1/2" NPT	0.93	2.50	4.33	1.30	3.50	3.15	0.79
27NRFF903NPT	3" x 3" NPT	B	6	3.04	0.0989	3" => 90 mm	3" NPT	1.02	2.95	5.08	1.46	3.90	3.74	0.91
27NRFF1104NPT	4" x 4" NPT	B	1	4.62	0.2924	4" => 110 mm	4" NPT	1.09	3.92	6.30	1.69	4.37	4.72	1.18
27NRFF1254NPT	5" x 4" NPT	C	4	4.76	0.1483	5" => 125 mm	4" NPT	1.09	3.92	6.30	1.87	4.55	4.72	1.18



FEMALE THREADED ADAPTER W/NPT STANDARD BRASS - SOCKET FUSION



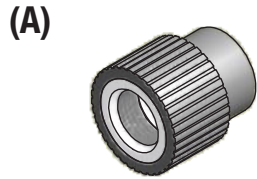
Material: PP-RCT - Brass
Range: $\varnothing 1/2" \times 1/2" \text{NPT} \div 5" \times 4" \text{NPT}$



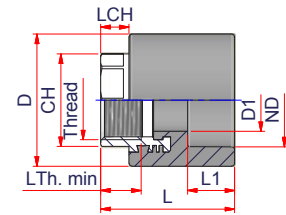
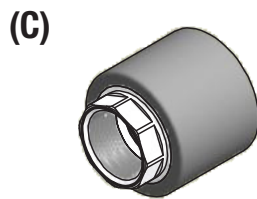
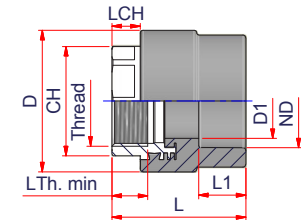
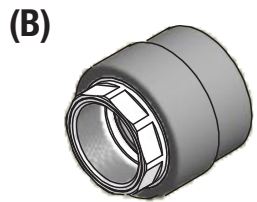
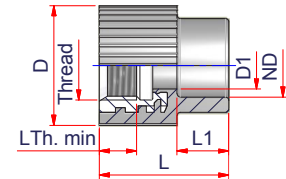
Code	\varnothing	Type	Carton Qty	Weight lb/p.	Volume ft ³ /p.	ND	Thread	L Thread min	D1	D	L1	L	CH	LCH
27NRFF2012NPTL	1/2" x 1/2" NPT	A	70	0.14	0.0042	1/2" => 20 mm	1/2" NPT	0.53	0.56	1.46	0.63	1.58	-	-
27NRFF2034NPTL	1/2" x 3/4" NPT	A	60	0.23	0.0049	1/2" => 20 mm	3/4" NPT	0.55	0.71	1.69	0.81	1.81	-	-
27NRFF2512NPTL	3/4" x 1/2" NPT	A	70	0.14	0.0042	3/4" => 25 mm	1/2" NPT	0.53	0.56	1.46	0.67	1.61	-	-
27NRFF2534NPTL	3/4" x 3/4" NPT	A	60	0.21	0.0049	3/4" => 25 mm	3/4" NPT	0.55	0.71	1.65	0.71	1.81	-	-
27NRFF3234NPTL	1" x 3/4" NPT	A	40	0.26	0.0074	1" => 32 mm	3/4" NPT	0.55	0.71	1.79	0.85	2.03	-	-
27NRFF321NPTL	1" x 1" NPT	A	30	0.40	0.0424	1" => 32 mm	1" NPT	0.66	0.95	2.13	0.79	2.05	-	-
27NRFF401NPTL	1 1/4" x 1" NPT	C	32	0.48	0.0092	1 1/4" => 40 mm	1" NPT	0.66	0.95	2.20	0.87	2.64	1.50	0.59
27NRFF40114NPTL	1 1/4" x 1 1/4" NPT	B	20	0.68	0.0145	1 1/4" => 40 mm	1 1/4" NPT	0.68	1.30	2.56	0.87	2.72	1.81	0.59
27NRFF50114NPTL	1 1/2" x 1 1/4" NPT	C	18	0.70	0.0162	1 1/2" => 50 mm	1 1/4" NPT	0.68	1.30	2.76	0.98	2.80	1.81	0.59
27NRFF50112NPTL	1 1/2" x 1 1/2" NPT	B	18	0.93	0.0162	1 1/2" => 50 mm	1 1/2" NPT	0.68	1.56	2.95	0.98	2.84	2.17	0.59
27NRFF63112NPTL	2" x 1 1/2" NPT	C	10	1.09	0.0293	2" => 63 mm	1 1/2" NPT	0.68	1.56	3.47	1.14	2.95	2.17	0.59
27NRFF632NPTL	2" x 2" NPT	B	9	1.34	0.0325	2" => 63 mm	2" NPT	0.70	1.97	3.62	1.14	3.15	2.56	0.79
27NRFF752NPTL	2 1/2" x 2" NPT	C	8	1.47	0.0731	2 1/2" => 75 mm	2" NPT	0.70	1.97	4.06	1.30	3.31	2.56	0.79
27NRFF75212NPTL	2 1/2" x 2 1/2" NPT	B	4	1.87	0.0731	2 1/2" => 75 mm	2 1/2" NPT	0.93	2.50	4.33	1.30	3.50	3.15	0.79
27NRFF903NPTL	3" x 3" NPT	B	6	3.04	0.0989	3" => 90 mm	3" NPT	1.02	2.95	5.08	1.46	3.90	3.74	0.91
27NRFF1104NPTL	4" x 4" NPT	B	1	4.62	0.2924	4" => 110 mm	4" NPT	1.09	3.92	6.30	1.69	4.37	4.72	1.18
27NRFF1254NPTL	5" x 4" NPT	C	4	4.76	0.1483	5" => 125 mm	4" NPT	1.09	3.92	6.30	1.87	4.55	4.72	1.18



FEMALE THREADED ADAPTER W/NPT STAINLESS STEEL - SOCKET FUSION



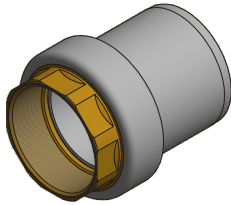
Material: PP-RCT- Stainless Steel
Range: $\varnothing 1/2" \times 1/2" \text{NPT} \div 5" \times 4" \text{NPT}$



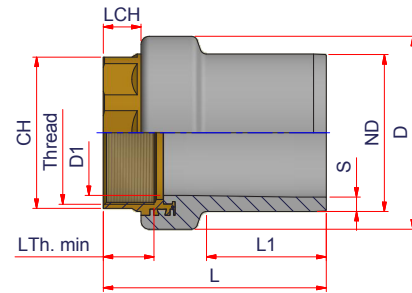
Code	\varnothing	Type	Carton Qty	Weight lb/p.	Volume ft ³ /p.	ND	Thread	L Thread min	D1	D	L1	L	CH	LCH
27NRFF2012SSNPT	1/2" x 1/2" NPT	A	70	0.13	0.0041	1/2" => 20 mm	1/2" NPT	0.53	0.56	1.46	0.63	1.58	-	-
27NRFF2034SSNPT	1/2" x 3/4" NPT	A	60	0.23	0.0049	1/2" => 20 mm	3/4" NPT	0.55	0.71	1.69	0.81	1.81	-	-
27NRFF2512SSNPT	3/4" x 1/2" NPT	A	70	0.14	0.0042	3/4" => 25 mm	1/2" NPT	0.53	0.56	1.46	0.67	1.61	-	-
27NRFF2534SSNPT	3/4" x 3/4" NPT	A	60	0.21	0.0049	3/4" => 25 mm	3/4" NPT	0.55	0.71	1.65	0.71	1.81	-	-
27NRFF3234SSNPT	1" x 3/4" NPT	A	40	0.26	0.0074	1" => 32 mm	3/4" NPT	0.55	0.71	1.79	0.85	2.03	-	-
27NRFF321SSNPT	1" x 1" NPT	A	30	0.38	0.0098	1" => 32 mm	1" NPT	0.66	0.95	2.13	0.79	2.05	-	-
27NRFF401SSNPT	1 1/4" x 1" NPT	C	32	0.48	0.0091	1 1/4" => 40 mm	1" NPT	0.66	0.95	2.20	0.87	2.64	1.50	0.59
27NRFF40114SSNPT	1 1/4" x 1 1/4" NPT	B	20	0.64	0.0144	1 1/4" => 40 mm	1 1/4" NPT	0.68	1.30	2.56	0.87	2.72	1.81	0.59
27NRFF50114SSNPT	1 1/2" x 1 1/4" NPT	C	18	0.70	0.0162	1 1/2" => 50 mm	1 1/4" NPT	0.68	1.30	2.76	0.98	2.80	1.81	0.59
27NRFF50112SSNPT	1 1/2" x 1 1/2" NPT	B	18	0.90	0.0162	1 1/2" => 50 mm	1 1/2" NPT	0.68	1.56	2.95	0.98	2.84	2.17	0.59
27NRFF63112SSNPT	2" x 1 1/2" NPT	C	10	1.09	0.0293	2" => 63 mm	1 1/2" NPT	0.68	1.56	3.47	1.14	2.95	2.17	0.59
27NRFF632SSNPT	2" x 2" NPT	B	9	1.27	0.0324	2" => 63 mm	2" NPT	0.70	1.97	3.62	1.14	3.15	2.56	0.79
27NRFF752SSNPT	2 1/2" x 2" NPT	C	4	1.51	0.0731	2 1/2" => 75 mm	2" NPT	0.70	1.97	4.06	1.30	3.31	2.56	0.79
27NRFF75212SSNPT	2 1/2" x 2 1/2" NPT	B	4	1.79	0.0787	2 1/2" => 75 mm	2 1/2" NPT	0.93	2.50	4.33	1.30	3.50	3.15	0.79
27NRFF903SSNPT	3" x 3" NPT	B	4	2.83	0.0731	3" => 90 mm	3" NPT	1.02	2.95	5.08	1.46	3.90	3.74	0.91
27NRFF1104SSNPT	4" x 4" NPT	B	1	4.62	0.2924	4" => 110 mm	4" NPT	1.09	3.92	6.30	1.69	4.37	4.72	1.18
27NRFF1254SSNPT	5" x 4" NPT	C	1	4.73	0.3153	5" => 125 mm	4" NPT	1.09	3.92	6.30	1.87	4.55	4.72	1.18



FEMALE THREADED ADAPTER W/NPT LEAD FREE BRASS - BUTT FUSION



Material: PP-RCT- Brass
Range: $\varnothing 1/2'' \times 1/2''$ NPT ÷ 5" x 4" NPT



Code	\varnothing	Carton Qty	Weight lb/p.	Volume ft ³ /p.	ND	S	Thread	L Thread min	D1	D	L1	L	CH	LCH
27NRFF11401NPT	1 1/4" x 1" NPT				1 1/4" => 40 mm	0.15	1" NPT	0.83	0.94	1.97	2.09	3.74	1.50	0.51
27NRFF1150112NPT	1 1/2" x 1 1/2" NPT				1 1/2" => 50 mm	0.18	1 1/2" NPT	0.75	1.50	2.76	2.40	4.25	2.17	0.59
27NRFF11632NPT	2" x 2" NPT				2" => 63 mm	0.23	2" NPT	0.93	1.93	3.31	2.72	4.80	2.56	0.79
27NRFF1175212NPT	2 1/2" x 2 1/2" NPT				2 1/2" => 75 mm	0.27	2 1/2" NPT	1.19	2.36	4.21	2.99	5.43	3.15	0.98
27NRFF11903NPT	3" x 3" NPT				3" => 90 mm	0.32	3" NPT	1.31	2.80	4.69	3.43	6.02	3.74	0.94
27NRFF111104NPT	4" x 4" NPT				4" => 110 mm	0.39	4" NPT	1.55	3.54	5.98	3.35	6.50	4.72	1.18
27NRFF111254NPT	5" x 4" NPT				5" => 125 mm	0.45	4" NPT	1.55	3.90	6.02	3.74	6.97	4.72	1.18



MALE THREADED ADAPTER W/NPT LEAD FREE BRASS - SOCKET FUSION

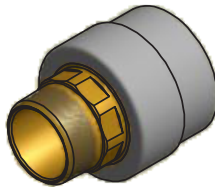
(A)



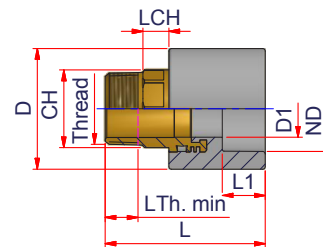
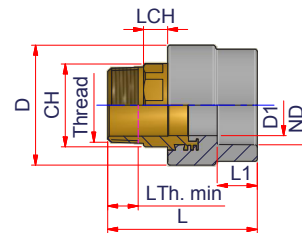
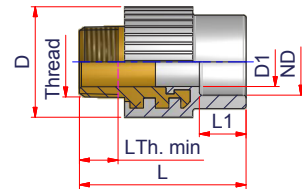
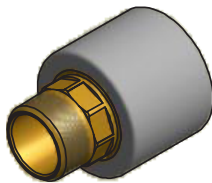
Material: PP-RCT - Brass
Range: $\varnothing 1/2" \times 1/2" \text{ NPT} \div 5" \times 4" \text{ NPT}$

SUITABLE FOR THE TRANSPORTATION
OF HUMAN CONSUMPTION FLUIDS

(B)



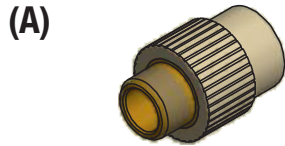
(C)



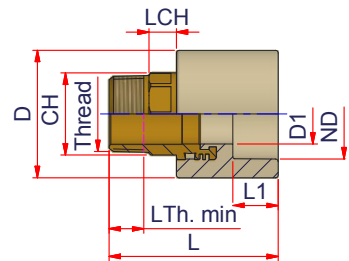
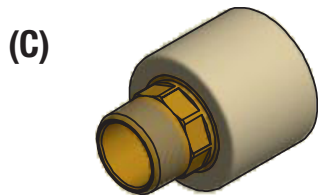
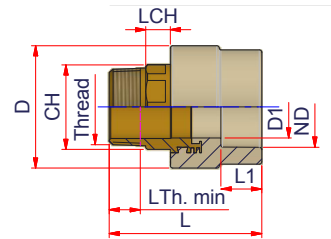
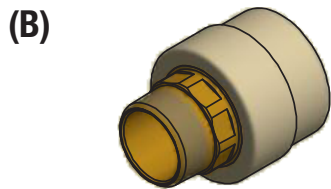
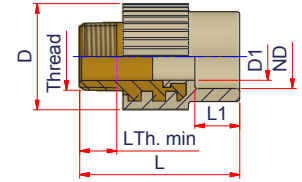
Code	\varnothing	Type	Carton Qty	Weight lb/p.	Volume ft ³ /p.	ND	Thread	L Thread min	D1	D	L1	L	CH	LCH
27NRFM2012NPT	1/2" x 1/2" NPT	A	70	0.22	0.0042	1/2" = > 20 mm	1/2" NPT	0.53	0.56	1.46	0.63	2.17	-	-
27NRFM2034NPT	1/2" x 3/4" NPT	A	50	0.32	0.0060	1/2" = > 20 mm	3/4" NPT	0.55	0.71	1.69	0.81	2.48	-	-
27NRFM2512NPT	3/4" x 1/2" NPT	A	70	0.21	0.0042	3/4" = > 25 mm	1/2" NPT	0.53	0.56	1.46	0.67	2.21	-	-
27NRFM2534NPT	3/4" x 3/4" NPT	A	50	0.31	0.0060	3/4" = > 25 mm	3/4" NPT	0.55	0.71	1.65	0.69	2.44	-	-
27NRFM321NPT	1" x 1" NPT	A	40	0.35	0.0074	1" = > 32 mm	1" NPT	0.68	0.95	2.13	0.79	2.80	-	-
27NRFM3234NPT	1" x 3/4" NPT	A	26	0.61	0.0113	1" = > 32 mm	3/4" NPT	0.55	0.71	1.79	0.79	2.70	-	-
27NRFM401NPT	1 1/4" x 1" NPT	C	20	0.65	0.0144	1 1/4" = > 40 mm	1" NPT	0.68	0.95	2.21	0.87	3.39	1.34	0.51
27NRFM40114NPT	1 1/4" x 1 1/4" NPT	B	15	0.82	0.0194	1 1/4" = > 40 mm	1 1/4" NPT	0.71	1.30	2.56	0.87	3.58	1.65	0.59
27NRFM50114NPT	1 1/2" x 1 1/4" NPT	C	15	0.91	0.0194	1 1/2" = > 50 mm	1 1/4" NPT	0.71	1.30	2.76	0.98	3.66	1.65	0.59
27NRFM50112NPT	1 1/2" x 1 1/2" NPT	B	10	1.10	0.0293	1 1/2" = > 50 mm	1 1/2" NPT	0.72	1.50	2.95	0.98	3.68	1.97	0.59
27NRFM63112NPT	2" x 1 1/2" NPT	C	6	1.30	0.0487	2" = > 63 mm	1 1/2" NPT	0.72	1.50	3.47	1.14	3.84	1.97	0.59
27NRFM632NPT	2" x 2" NPT	B	6	1.72	0.0487	2" = > 63 mm	2" NPT	0.76	1.95	3.62	1.14	4.13	2.36	0.71
27NRFM752NPT	2 1/2" x 2" NPT	C	5	2.07	0.0586	2 1/2" = > 75 mm	2" NPT	0.76	1.95	4.06	1.30	4.29	2.36	0.71
27NRFM75212NPT	2 1/2" x 2 1/2" NPT	B	4	2.59	0.0731	2 1/2" = > 75 mm	2 1/2" NPT	1.14	2.50	4.33	1.30	4.41	3.15	0.79
27NRFM903NPT	3" x 3" NPT	B	2	4.07	0.1462	3" = > 90 mm	3" NPT	1.20	2.95	5.08	1.46	5.08	3.54	0.91
27NRFM1104NPT	4" x 4" NPT	B	1	6.60	0.2924	4" = > 110 mm	4" NPT	1.30	3.92	6.30	1.69	5.83	4.53	1.18
27NRFM1254NPT	5" x 4" NPT	C	2	6.71	0.2962	5" = > 125 mm	4" NPT	1.30	3.92	6.30	1.87	6.00	4.53	1.18



MALE THREADED ADAPTER W/NPT STANDARD BRASS - SOCKET FUSION



Material: PP-RCT - Brass
Range: $\varnothing 1/2" \times 1/2" \text{NPT} \div 5" \times 4" \text{NPT}$



**NOT SUITABLE FOR THE TRANSPORTATION
OF HUMAN CONSUMPTION FLUIDS**

Code	\varnothing	Type	Carton Qty	Weight lb/p.	Volume ft ³ /p.	ND	Thread	L Thread min	D1	D	L1	L	CH	LCH
27NRFM2012NPTL	1/2" x 1/2" NPT	A	70	0.22	0.0042	1/2" => 20 mm	1/2" NPT	0.53	0.56	1.46	0.63	2.17	-	-
27NRFM2034NPTL	1/2" x 3/4" NPT	A	50	0.32	0.0060	1/2" => 20 mm	3/4" NPT	0.55	0.71	1.69	0.81	2.48	-	-
27NRFM2512NPTL	3/4" x 1/2" NPT	A	70	0.21	0.0042	3/4" => 25 mm	1/2" NPT	0.53	0.56	1.46	0.67	2.21	-	-
27NRFM2534NPTL	3/4" x 3/4" NPT	A	50	0.31	0.0060	3/4" => 25 mm	3/4" NPT	0.55	0.71	1.65	0.69	2.44	-	-
27NRFM321NPTL	1" x 1" NPT	A	40	0.35	0.0113	1" => 32 mm	1" NPT	0.68	0.95	2.13	0.79	2.80	-	-
27NRFM3234NPTL	1" x 3/4" NPT	A	26	0.61	0.0074	1" => 32 mm	3/4" NPT	0.55	0.71	1.79	0.79	2.70	-	-
27NRFM401NPTL	1 1/4" x 1" NPT	C	20	0.65	0.0145	1 1/4" => 40 mm	1" NPT	0.68	0.95	2.21	0.87	3.39	1.34	0.51
27NRFM40114NPTL	1 1/4" x 1 1/4" NPT	B	15	0.82	0.0194	1 1/4" => 40 mm	1 1/4" NPT	0.71	1.30	2.56	0.87	3.58	1.65	0.59
27NRFM50114NPTL	1 1/2" x 1 1/4" NPT	C	15	0.91	0.0194	1 1/2" => 50 mm	1 1/4" NPT	0.71	1.30	2.76	0.98	3.66	1.65	0.59
27NRFM50112NPTL	1 1/2" x 1 1/2" NPT	B	10	1.10	0.0293	1 1/2" => 50 mm	1 1/2" NPT	0.72	1.50	2.95	0.98	3.68	1.97	0.59
27NRFM63112NPTL	2" x 1 1/2" NPT	C	6	1.30	0.0487	2" => 63 mm	1 1/2" NPT	0.72	1.50	3.47	1.14	3.84	1.97	0.59
27NRFM632NPTL	2" x 2" NPT	B	6	1.72	0.0487	2" => 63 mm	2" NPT	0.76	1.95	3.62	1.14	4.13	2.36	0.71
27NRFM752NPTL	2 1/2" x 2" NPT	C	5	2.07	0.0586	2 1/2" => 75 mm	2" NPT	0.76	1.95	4.06	1.30	4.29	2.36	0.71
27NRFM75212NPTL	2 1/2" x 2 1/2" NPT	B	4	2.59	0.0788	2 1/2" => 75 mm	2 1/2" NPT	1.14	2.50	4.33	1.30	4.41	3.15	0.79
27NRFM903NPTL	3" x 3" NPT	B	2	4.07	0.1462	3" => 90 mm	3" NPT	1.20	2.95	5.08	1.46	5.08	3.54	0.91
27NRFM1104NPTL	4" x 4" NPT	B	1	6.82	0.2924	4" => 110 mm	4" NPT	1.30	3.92	6.30	1.69	5.83	4.53	1.18
27NRFM1254NPTL	5" x 4" NPT	C	2	6.71	0.2963	5" => 125 mm	4" NPT	1.30	3.92	6.30	1.87	6.00	4.53	1.18

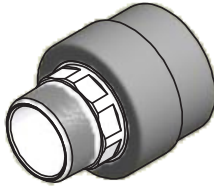


MALE THREADED ADAPTER W/NPT STAINLESS STEEL - SOCKET FUSION

(A)



(B)

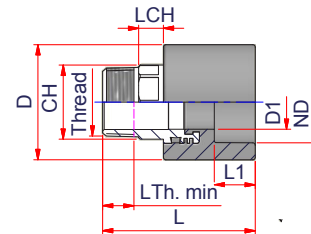
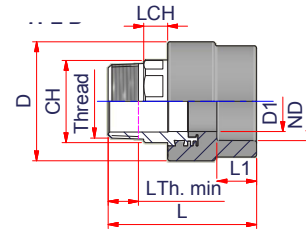
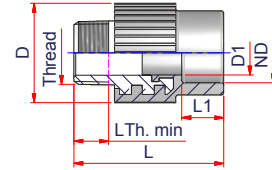


(C)



Material: PP-RCT - Stainless Steel
Range: $\varnothing 1/2'' \times 1/2''$ NPT ÷ $5'' \times 4''$ NPT

SUITABLE FOR THE TRANSPORTATION
OF HUMAN CONSUMPTION FLUIDS

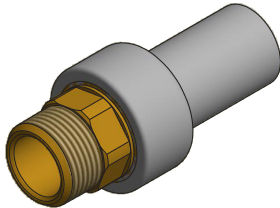


Code	\varnothing	Type	Carton Qty	Weight lb/p.	Volume ft ³ /p.	ND	Thread	L Thread min	D1	D	L1	L	CH	LCH
27NRFM2012SSNPT	$1/2'' \times 1/2''$ NPT	A	70	0.21	0.0042	$1/2'' = > 20$ mm	$1/2''$ NPT	0.53	0.56	1.46	0.63	2.17	-	-
27NRFM2034SSNPT	$1/2'' \times 3/4''$ NPT	A	50	0.35	0.0060	$1/2'' = > 20$ mm	$3/4''$ NPT	0.55	0.71	1.69	0.81	2.48	-	-
27NRFM2512SSNPT	$3/4'' \times 1/2''$ NPT	A	70	0.21	0.0042	$3/4'' = > 25$ mm	$1/2''$ NPT	0.53	0.56	1.46	0.67	2.21	-	-
27NRFM2534SSNPT	$3/4'' \times 3/4''$ NPT	A	50	0.31	0.0060	$3/4'' = > 25$ mm	$3/4''$ NPT	0.55	0.71	1.65	0.69	2.44	-	-
27NRFM321SSNPT	$1'' \times 1''$ NPT	A	40	0.35	0.0074	$1'' = > 32$ mm	$1''$ NPT	0.68	0.95	2.13	0.79	2.80	-	-
27NRFM3234SSNPT	$1'' \times 3/4''$ NPT	A	26	0.63	0.0113	$1'' = > 32$ mm	$3/4''$ NPT	0.55	0.71	1.79	0.79	2.70	-	-
27NRFM401SSNPT	$1 1/4'' \times 1''$ NPT	C	20	0.65	0.0144	$1 1/4'' = > 40$ mm	$1''$ NPT	0.68	0.95	2.21	0.87	3.39	1.34	0.51
27NRFM40114SSNPT	$1 1/4'' \times 1 1/4''$ NPT	B	15	0.84	0.0194	$1 1/4'' = > 40$ mm	$1 1/4''$ NPT	0.71	1.30	2.56	0.87	3.58	1.65	0.59
27NRFM50114SSNPT	$1 1/2'' \times 1 1/4''$ NPT	C	15	0.91	0.0194	$1 1/2'' = > 50$ mm	$1 1/4''$ NPT	0.71	1.30	2.76	0.98	3.66	1.65	0.59
27NRFM50112SSNPT	$1 1/2'' \times 1 1/2''$ NPT	B	13	1.10	0.0226	$1 1/2'' = > 50$ mm	$1 1/2''$ NPT	0.72	1.50	2.95	0.98	3.68	1.97	0.59
27NRFM63112SSNPT	$2'' \times 1 1/2''$ NPT	C	6	1.30	0.0487	$2'' = > 63$ mm	$1 1/2''$ NPT	0.72	1.50	3.47	1.14	3.84	1.97	0.59
27NRFM632SSNPT	$2'' \times 2''$ NPT	B	6	1.72	0.0487	$2'' = > 63$ mm	$2''$ NPT	0.76	1.95	3.62	1.14	4.13	2.36	0.71
27NRFM752SSNPT	$2 1/2'' \times 2''$ NPT	C	5	1.91	0.0586	$2 1/2'' = > 75$ mm	$2''$ NPT	0.76	1.95	4.06	1.30	4.29	2.36	0.71
27NRFM75212SSNPT	$2 1/2'' \times 2 1/2''$ NPT	B	4	3.11	0.0731	$2 1/2'' = > 75$ mm	$2 1/2''$ NPT	1.14	2.50	4.33	1.30	4.41	3.15	0.79
27NRFM903SSNPT	$3'' \times 3''$ NPT	B	2	4.07	0.1462	$3'' = > 90$ mm	$3''$ NPT	1.20	2.95	5.08	1.46	5.08	3.54	0.91
27NRFM1104SSNPT	$4'' \times 4''$ NPT	B	1	6.82	0.1578	$4'' = > 110$ mm	$4''$ NPT	1.30	3.92	6.30	1.69	5.83	4.53	1.18
27NRFM1254SSNPT	$5'' \times 4''$ NPT	C	2	6.66	0.2962	$5'' = > 125$ mm	$4''$ NPT	1.30	3.92	6.30	1.87	6.00	4.53	1.18

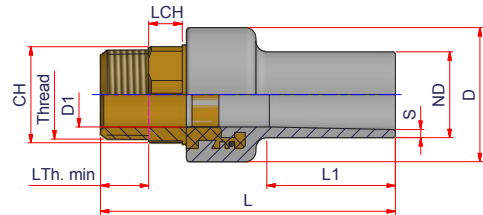


MALE THREADED ADAPTER W/NPT LEAD FREE BRASS - BUTT FUSION

Material: PP-RCT- Brass
Range: $\varnothing 1/2'' \times 1/2''$ NPT ÷ 5" x 4" NPT



*SUITABLE FOR THE TRANSPORTATION
OF HUMAN CONSUMPTION FLUIDS*



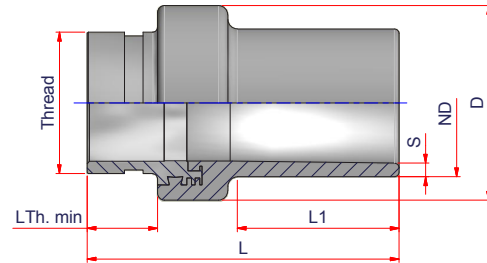
Code	\varnothing	Carton Qty	Weight lb/p.	Volume ft ³ /p.	ND	S	Thread	L Thread min	D1	D	L1	L	CH	LCH
27NRFM1140114NPT	1 1/4" x 1" NPT	-	-	-	1 1/4" => 40 mm	0.15	1 1/4" NPT	0.75	1.22	2.48	2.09	4.88	1.65	0.59
27NRFM1150112NPT	1 1/2" x 1 1/2" NPT	-	-	-	1 1/2" => 50 mm	0.18	1 1/2" NPT	0.75	1.50	2.76	2.40	5.16	1.97	0.59
27NRFM11632NPT	2" x 2" NPT	-	-	-	2" => 63 mm	0.23	2" NPT	0.92	1.93	3.27	2.72	5.79	2.36	0.71
27NRFM1175212NPT	2 1/2" x 2 1/2" NPT	-	-	-	2 1/2" => 75 mm	0.27	2 1/2" NPT	1.05	2.36	4.21	3.15	6.42	3.15	0.79
27NRFM11903NPT	3" x 3" NPT	-	-	-	3" => 90 mm	0.32	3" NPT	1.17	2.80	4.65	3.43	7.20	3.54	0.91
27NRFM111104NPT	4" x 4" NPT	-	-	-	4" => 110 mm	0.39	4" NPT	1.41	3.54	6.02	3.35	7.95	4.53	1.18
27NRFM111254NPT	5" x 4" NPT	-	-	-	5" => 125 mm	0.45	4" NPT	1.41	3.90	6.02	3.74	8.43	4.53	1.18



VICTAULIC ADAPTER STAINLESS STEEL - LONG SPIGOT

Material: PP-RCT - Stainless Steel

Range: $\varnothing 2'' \times 2'' \div 4'' \times 4''$



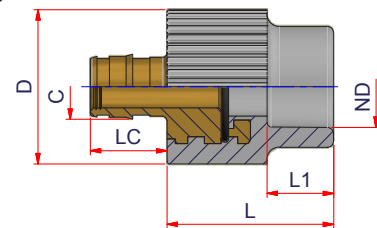
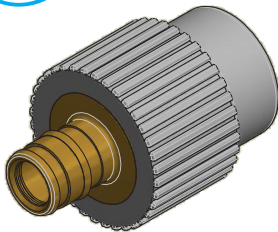
Code	\varnothing	Carton Qty	Weight lb/p.	Volume ft ³ /p.	ND	S	Thread	L Thread min	L1	L	D
27NRV6311SS	2" x 2"	-	-	-	2" => 63 mm	0.23	2"	1.18	2.72	5.24	3.27
27NRV9011SS	3" x 3"	-	-	-	3" => 90 mm	0.32	3"	1.18	3.43	6.26	4.65
27NRV11011SS	4" x 4"	-	-	-	4" => 110 mm	0.39	4"	1.57	3.35	6.89	6.02



PEX ADAPTER (EXPANSION) WITH SOCKET FUSION ENDS

Material: PP-RCT - PEX

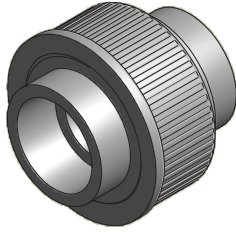
Range: $\varnothing \frac{1}{2}'' \times \frac{1}{2}'' \div \frac{3}{4}'' \times \frac{1}{2}''$



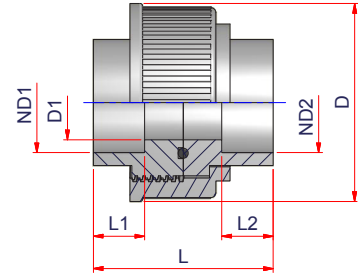
Code	\varnothing	Carton Qty	Weight lb/p.	Volume ft ³ /p.	ND	C	LC	D	L1	L
27NPR1220	$\frac{1}{2}'' \times \frac{1}{2}''$	-	-	-	$\frac{1}{2}'' => 20$ mm	$\frac{1}{2}''$	0.73	1.46	0.63	1.57
27NPR1225	$\frac{3}{4}'' \times \frac{1}{2}''$	-	-	-		$\frac{1}{2}''$	0.73	1.46	0.67	1.61
27NPR3425	$\frac{3}{4}'' \times \frac{3}{4}''$	-	-	-	$\frac{3}{4}'' => 25$ mm	$\frac{3}{4}''$	0.96	1.65	0.67	1.81
27NPR132	1" x 1"	-	-	-	1" => 32 mm	1"	1.20	2.13	0.79	2.05



ALL-PLASTIC UNIONS WITH SOCKET FUSION ENDS



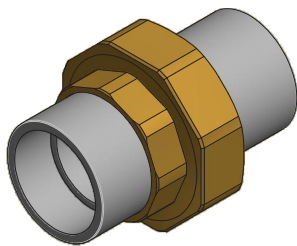
Material: PP-RCT
Range: $\emptyset 1/2" \times 1/2" \div 2" \times 2"$



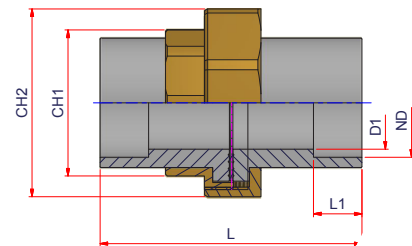
Code	\emptyset	Carton Qty	Weight lb/p.	Volume ft ³ /p.	ND1	ND2	D1	D	L1	L2	L
27NBRF20	1/2" x 1/2"	-	-	-	1/2" => 20 mm	1/2" => 20 mm	0.55	2.09	0.79	0.79	2.87
27NBRF25	3/4" x 3/4"	26	0.19	0.0112	3/4" => 25 mm	3/4" => 25 mm	0.71	2.24	0.79	0.79	2.76
27NBRF32	1" x 1"	-	-	-	1" => 32 mm	1" => 32 mm	0.95	2.64	0.79	0.79	2.76
27NBRF40	1 1/4" x 1 1/4"	-	-	-	1 1/4" => 40 mm	1 1/4" => 40 mm	1.14	3.03	0.79	0.79	2.76
27NBRF50	1 1/2" x 1 1/2"	-	-	-	1 1/2" => 50 mm	1 1/2" => 50 mm	-	-	-	-	-
27NBRF63	2" x 2"	-	-	-	2" => 63 mm	2" => 63 mm	-	-	-	-	-



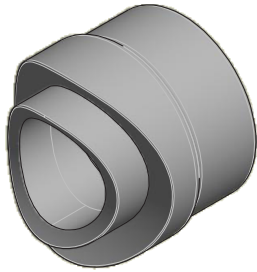
UNION W/STANDARD BRASS NUTS AND SOCKET ENDS



Material: PP-RCT - Brass
Range: $\emptyset 1/2" \times 1/2" \div 2" \times 2"$

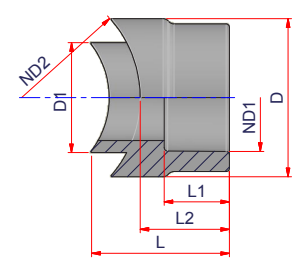


Code	\emptyset	Carton Qty	Weight lb/p.	Volume ft ³ /p.	ND	D1	L1	L	CH1	CH2
27NCSJ2020	1/2" x 1/2"	30	0.15	0.0098	1/2"-1/2" => 20-20 mm	0.59	0.55	3.11	1.18	1.81
27NCSJ2525	3/4" x 3/4"	26	0.19	0.0113	3/4" x 3/4" => 25-25 mm	0.75	0.63	3.35	1.50	2.05
27NCSJ3232	1" x 1"	15	1.14	0.0194	1" x 1" => 32-32 mm	1.02	0.71	4.17	1.97	2.68
27NCSJ4040	1 1/4" x 1 1/4"	9	1.61	0.0324	1 1/4" x 1 1/4" => 40-40 mm	1.30	0.87	4.72	2.12	3.15
27NCSJ5050	1 1/2" x 1 1/2"	5	2.68	0.0586	1 1/2" x 1 1/2" => 50-50 mm	1.69	0.94	5.12	2.79	3.82
27NCSJ6363	2" x 2"	4	3.03	0.0731	2" x 2" => 63-63 mm	2.05	1.10	6.02	3.15	4.29



WELDING SADDLES W/SOCKET FUSION OUTLETS

Material: PP-RCT
Range: $\varnothing 1/2" \times 1 1/4" \div 2" \times 24"$

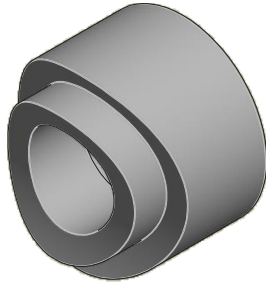


Code	Carton Qty	Weight lb/p.	Volume ft ³ /p.	ND1 (OUTLET)	ND2 (MAIN PIPE)	D1	D	L1	L2	L
27NGS2040	-	-	-	1/2" => 20 mm	1 1/4" => 40 mm	0.98	1.38	0.59	0.79	1.44
27NGS2050	-	-	-	1/2" => 20 mm	1 1/2" => 50 mm	0.98	1.38	0.59	0.79	1.28
27NGS206375	70	0.06	0.0042	1/2" => 20 mm	2" => 63 mm 2 1/2" => 75 mm	0.98	1.38	0.59	0.79	1.20
27NGS2090110125	70	0.06	0.0042	1/2" => 20 mm	3" => 90 mm 4" => 110 mm 5" => 125 mm	0.98	1.38	0.59	0.79	1.16
27NGS20160200	70	0.06	0.0042	1/2" => 20 mm	6" => 160 mm 8" => 200 mm	0.98	1.38	0.59	0.79	1.12
27NGS20250315	-	-	-	1/2" => 20 mm	10" => 250 mm 12" => 315 mm	0.98	1.38	0.59	0.79	1.10
27NGS20355630	-	-	-	1/2" => 20 mm	14" => 355 mm $\div 24" => 630$ mm	0.98	1.38	0.59	0.79	1.10
27NGS2540	-	-	-	3/4" => 25 mm	1 1/4" => 40 mm	0.98	1.38	0.59	0.85	1.50
27NGS2550	-	-	-	3/4" => 25 mm	1 1/2" => 50 mm	0.98	1.38	0.59	0.85	1.33
27NGS256375	-	-	-	3/4" => 25 mm	2" => 63 mm 2 1/2" => 75 mm	0.98	1.38	0.65	0.85	1.26
27NGS2590110125	-	-	-	3/4" => 25 mm	3" => 90 mm 4" => 110 mm 5" => 125 mm	0.98	1.38	0.65	0.85	1.18
27NGS25160200	-	-	-	3/4" => 25 mm	6" => 160 mm 8" => 200 mm	0.98	1.38	0.65	0.85	1.18
27NGS25250315	-	-	-	3/4" => 25 mm	10" => 250 mm 12" => 315 mm	0.98	1.38	0.65	0.85	1.16
27NGS25355630	-	-	-	3/4" => 25 mm	14" => 355 mm $\div 24" => 630$ mm	0.98	1.38	0.65	0.85	1.16
27NGS326375	40	0.14	0.0074	1" => 32 mm	2" => 63 mm 2 1/2" => 75 mm	1.26	1.81	0.75	1.02	1.57
27NGS3290110125	40	0.14	0.0074	1" => 32 mm	3" => 90 mm 4" => 110 mm 5" => 125 mm	1.26	1.81	0.75	1.02	1.50
27NGS32160200	40	0.14	0.0074	1" => 32 mm	6" => 160 mm 8" => 200 mm	1.26	1.81	0.75	1.02	1.44
27NGS32250315	-	-	-	1" => 32 mm	10" => 250 mm 12" => 315 mm	1.26	1.81	0.75	1.02	1.42
27NGS32355630	-	-	-	1" => 32 mm	14" => 355 mm $\div 24" => 630$ mm	1.26	1.81	0.75	1.02	1.42

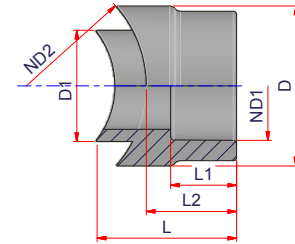
follow ...



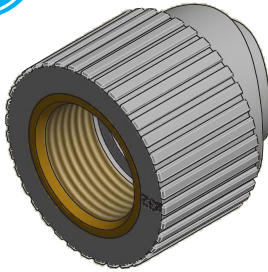
WELDING SADDLES W/SOCKET FUSION OUTLETS



Material: PP-RCT
Range: $\varnothing 1/2" \times 1/4" \div 2" \times 24"$



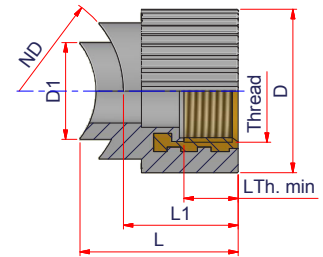
Code	Carton Qty	Weight lb/p.	Volume ft ³ /p.	ND1 (OUTLET)	ND2 (MAIN PIPE)	D1	D	L1	L2	L
27NGS4090	-	0.10	0.0056	1 1/4" => 40 mm	3" => 90 mm	1.57	2.28	0.83	1.10	1.69
27NGS40110	-	0.09	0.0056	1 1/4" => 40 mm	4" => 110 mm	1.57	2.28	0.83	1.10	1.63
27NGS40125	-	0.09	0.0056	1 1/4" => 40 mm	5" => 125 mm	1.57	2.28	0.83	1.10	1.60
27NGS40160200	-	0.09	0.0056	1 1/4" => 40 mm	6" => 160 mm 8" => 200 mm	1.57	2.28	0.83	1.10	1.54
27NGS40250315	-	0.09	0.0056	1 1/4" => 40 mm	10" => 250 mm 12" => 315 mm	1.57	2.28	0.83	1.10	1.52
27NGS40355630	-	-	-	1 1/4" => 40 mm	14" => 355 mm $\div 24" => 630$ mm	1.57	2.28	0.83	1.10	1.52
27NGS5090	-	-	-	1 1/2" => 50 mm	3" => 90 mm	1.97	2.83	0.98	1.42	2.32
27NGS50110	-	-	-	1 1/2" => 50 mm	4" => 110 mm	1.97	2.83	0.98	1.42	2.20
27NGS50125	-	-	-	1 1/2" => 50 mm	5" => 125 mm	1.97	2.83	0.98	1.42	2.13
27NGS50160	-	-	-	1 1/2" => 50 mm	6" => 160 mm	1.97	2.83	0.98	1.42	2.09
27NGS50200	-	-	-	1 1/2" => 50 mm	8" => 200 mm	1.97	2.83	0.98	1.42	2.03
27NGS50250	-	-	-	1 1/2" => 50 mm	10" => 250 mm	1.97	2.83	0.98	1.42	2.00
27NGS50315	-	-	-	1 1/2" => 50 mm	12" => 315 mm	1.97	2.83	0.98	1.42	1.97
27NGS50355450	-	-	-	1 1/2" => 50 mm	14" => 355 mm $\div 18" => 450$ mm	1.97	2.83	0.98	1.42	1.97
27NGS50500630	-	-	-	1 1/2" => 50 mm	20" => 500 mm $\div 24" => 630$ mm	1.97	2.83	0.98	1.42	1.97
27NGS63110	-	-	-	2" => 63 mm	4" => 110 mm	2.48	3.54	1.14	1.57	2.56
27NGS63125	-	-	-	2" => 63 mm	5" => 125 mm	2.48	3.54	1.14	1.57	2.48
27NGS63160	-	-	-	2" => 63 mm	6" => 160 mm	2.48	3.54	1.14	1.57	2.34
27NGS63200	-	-	-	2" => 63 mm	8" => 200 mm	2.48	3.54	1.14	1.57	2.28
27NGS63250	-	-	-	2" => 63 mm	10" => 250 mm	2.48	3.54	1.14	1.57	2.20
27NGS63315	-	-	-	2" => 63 mm	12" => 315 mm	2.48	3.54	1.14	1.57	2.17
27NGS63355450	-	-	-	2" => 63 mm	14" => 355 mm $\div 18" => 450$ mm	2.48	3.54	1.14	1.57	2.15
27NGS63500630	-	-	-	2" => 63 mm	20" => 500 mm $\div 24" => 630$ mm	1.97	3.54	1.14	1.57	2.12



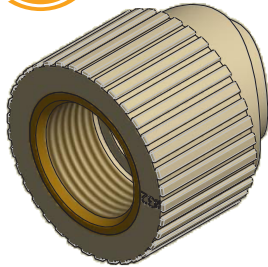
FEMALE SIDE FUSION WELDING SADDLE W/NPT LEAD FREE BRASS

Material: PP-RCT - Brass
Range: \varnothing 1 1/4" x 1/2" NPT ÷ 24" x 1" NPT

**SUITABLE FOR THE TRANSPORTATION
OF HUMAN CONSUMPTION FLUIDS**



Code	\varnothing	Carton Qty	Weight lb/p.	Volume ft ³ /p.	ND	Thread	L Thread min	D1	D	L1	L
27NGSF124050NPT	1 1/4" x 1/2" NPT 1 1/2" x 1/2" NPT	70	0.14	0.0042	1 1/4" => 40 mm 1 1/2" => 50 mm	1/2" NPT	0.53	0.98	1.46	1.24	1.77
27NGSF126375NPT	2" x 1/2" NPT 2 1/2" x 1/2" NPT	70	0.14	0.0042	2" => 63 mm 2 1/2" => 75 mm	1/2" NPT	0.53	0.98	1.46	1.24	1.65
27NGSF1290110125NPT	3" x 1/2" NPT 4" x 1/2" NPT 5" x 1/2" NPT	70	0.14	0.0042	3" => 90 mm 4" => 110 mm 5" => 125 mm	1/2" NPT	0.53	0.98	1.46	1.24	1.61
27NGSF12160200NPT	6" x 1/2" NPT 8" x 1/2" NPT	70	0.14	0.0042	6" => 160 mm 8" => 200 mm	1/2" NPT	0.53	0.98	1.46	1.24	1.57
27NGSF12250315NPT	10" x 1/2" NPT 12" x 1/2" NPT	-	-	-	10" => 250 mm 12" => 315 mm	1/2" NPT	0.53	0.98	1.46	1.24	-
27NGSF12355630NPT	14" x 1/2" NPT ÷ 24" x 1/2" NPT	-	-	-	14" => 355 mm ÷ 24" => 630 mm	1/2" NPT	0.53	0.98	1.46	1.24	-
27NGSF344050NPT	1 1/4" x 3/4" NPT 1 1/2" x 3/4" NPT	70	0.21	0.0042	1 1/4" => 40 mm 1 1/2" => 50 mm	3/4" NPT	0.55	0.98	1.65	1.32	1.85
27NGSF346375NPT	2" x 3/4" NPT 2 1/2" x 3/4" NPT	70	0.21	0.0042	2" => 63 mm 2 1/2" => 75 mm	3/4" NPT	0.55	0.98	1.65	1.32	1.73
27NGSF3490110125NPT	3" x 3/4" NPT 4" x 3/4" NPT 5" x 3/4" NPT	60	0.22	0.0048	3" => 90 mm 4" => 110 mm 5" => 125 mm	3/4" NPT	0.55	0.98	1.65	1.32	1.69
27NGSF34160200NPT	6" x 3/4" NPT 8" x 3/4" NPT	-	-	-	6" => 160 mm 8" => 200 mm	3/4" NPT	0.55	0.98	1.65	1.32	1.65
27NGSF34250315NPT	10" x 3/4" NPT 12" x 3/4" NPT	-	-	-	10" => 250 mm 12" => 315 mm	3/4" NPT	0.55	0.98	1.65	1.32	-
27NGSF34355630NPT	14" x 3/4" NPT ÷ 24" x 3/4" NPT	-	-	-	14" => 355 mm ÷ 24" => 630 mm	3/4" NPT	0.55	0.98	1.65	1.32	-
27NGSF016375NPT	2" x 1" NPT 2 1/2" x 1" NPT	-	-	-	2" => 63 mm 2 1/2" => 75 mm	1" NPT	0.66	1.26	2.13	1.50	2.05
27NGSF0190110125NPT	3" x 1" NPT 4" x 1" NPT 5" x 1" NPT	-	-	-	3" => 90 mm 4" => 110 mm 5" => 125 mm	1" NPT	0.66	1.26	2.13	1.50	1.97
27NGSF01160200NPT	6" x 1" NPT 8" x 1" NPT	-	-	-	6" => 160 mm 8" => 200 mm	1" NPT	0.66	1.26	2.13	1.50	1.91
27NGSF01250315NPT	10" x 1" NPT 12" x 1" NPT	-	-	-	10" => 250 mm 12" => 315 mm	1" NPT	0.66	1.26	2.13	1.50	1.89
27NGSF01355630NPT	14" x 1" NPT ÷ 24" x 1" NPT	-	-	-	14" => 355 mm ÷ 24" => 630 mm	1" NPT	0.66	1.26	2.13	1.50	-

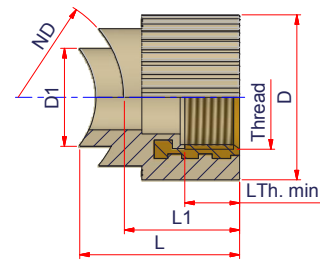


FEMALE SIDE FUSION WELDING SADDLE W/NPT STANDARD BRASS

Material: PP-RCT - Brass

Range: \varnothing 1 1/4" x 1/2" NPT ÷ 24" x 1" NPT

**NOT SUITABLE FOR THE TRANSPORTATION
OF HUMAN CONSUMPTION FLUIDS**



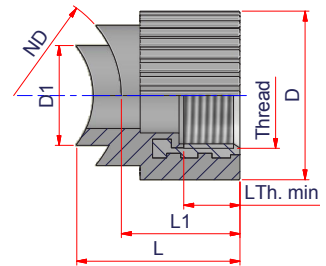
Code	\varnothing	Carton Qty	Weight lb/p.	Volume ft ³ /p.	ND	Thread	L Thread min	D1	D	L1	L
27NGSF124050NPTL	1 1/4" x 1/2" NPT	-	-	-	1 1/4" => 40 mm	1/2" NPT	0.53	0.98	1.46	1.24	1.77
	1 1/2" x 1/2" NPT	-	-	-	1 1/2" => 50 mm						
27NGSF126375NPTL	2" x 1/2" NPT	-	-	-	2" => 63 mm	1/2" NPT	0.53	0.98	1.46	1.24	1.65
	2 1/2" x 1/2" NPT	-	-	-	2 1/2" => 75 mm						
27NGSF1290110125NPTL	3" x 1/2" NPT	-	-	-	3" => 90 mm	1/2" NPT	0.53	0.98	1.46	1.24	1.61
	4" x 1/2" NPT	-	-	-	4" => 110 mm						
	5" x 1/2" NPT	-	-	-	5" => 125 mm						
27NGSF12160200NPTL	6" x 1/2" NPT	-	-	-	6" => 160 mm	1/2" NPT	0.53	0.98	1.46	1.24	1.57
	8" x 1/2" NPT	-	-	-	8" => 200 mm						
27NGSF12250315NPTL	10" x 1/2" NPT	-	-	-	10" => 250 mm	1/2" NPT	0.53	0.98	1.46	1.24	-
	12" x 1/2" NPT	-	-	-	12" => 315 mm						
27NGSF12355630NPTL	14" x 1/2" NPT ÷ 24" x 1/2" NPT	-	-	-	14" => 355 mm ÷ 24" => 630 mm	1/2" NPT	0.53	0.98	1.46	1.24	-
27NGSF344050NPTL	1 1/4" x 3/4" NPT	-	-	-	1 1/4" => 40 mm	3/4" NPT	0.55	0.98	1.65	1.32	1.85
	1 1/2" x 3/4" NPT	-	-	-	1 1/2" => 50 mm						
27NGSF346375NPTL	2" x 3/4" NPT	-	-	-	2" => 63 mm	3/4" NPT	0.55	0.98	1.65	1.32	1.73
	2 1/2" x 3/4" NPT	-	-	-	2 1/2" => 75 mm						
27NGSF3490110125NPTL	3" x 3/4" NPT	-	-	-	3" => 90 mm	3/4" NPT	0.55	0.98	1.65	1.32	1.69
	4" x 3/4" NPT	-	-	-	4" => 110 mm						
	5" x 3/4" NPT	-	-	-	5" => 125 mm						
27NGSF34160200NPTL	6" x 3/4" NPT	-	-	-	6" => 160 mm	3/4" NPT	0.55	0.98	1.65	1.32	1.65
	8" x 3/4" NPT	-	-	-	8" => 200 mm						
27NGSF34250315NPTL	8" x 3/4" NPT	-	-	-	10" => 250 mm	3/4" NPT	0.55	0.98	1.65	1.32	-
	10" x 3/4" NPT	-	-	-	12" => 315 mm						
27NGSF34355630NPTL	14" x 3/4" NPT ÷ 24" x 3/4" NPT	-	-	-	14" => 355 mm ÷ 24" => 630 mm	3/4" NPT	0.55	0.98	1.65	1.32	-
27NGSF016375NPTL	2" x 1" NPT	-	-	-	2" => 63 mm	1" NPT	0.66	1.26	2.13	1.50	2.05
	2 1/2" x 1" NPT	-	-	-	2 1/2" => 75 mm						
27NGSF0190110125NPTL	3" x 1" NPT	-	-	-	3" => 90 mm	1" NPT	0.66	1.26	2.13	1.50	1.97
	4" x 1" NPT	-	-	-	4" => 110 mm						
	5" x 1" NPT	-	-	-	5" => 125 mm						
27NGSF01160200NPTL	6" x 1" NPT	-	-	-	6" => 160 mm	1" NPT	0.66	1.26	2.13	1.50	1.91
	8" x 1" NPT	-	-	-	8" => 200 mm						
27NGSF01250315NPTL	10" x 1" NPT	-	-	-	10" => 250 mm	1" NPT	0.66	1.26	2.13	1.50	1.91
	12" x 1" NPT	-	-	-	12" => 315 mm						
27NGSF01355630NPTL	14" x 3/4" NPT ÷ 24" x 3/4" NPT	-	-	-	14" => 355 mm ÷ 24" => 630 mm	1" NPT	0.66	1.26	2.13	1.50	-



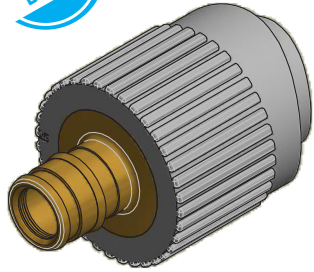
FEMALE SIDE FUSION WELDING SADDLE W/NPT STAINLESS STEEL

Material: PP-RCT - Stainless Steel
Range: \varnothing 1 1/4" x 1/2" NPT ÷ 24" x 1" NPT

**SUITABLE FOR THE TRANSPORTATION
OF HUMAN CONSUMPTION FLUIDS**

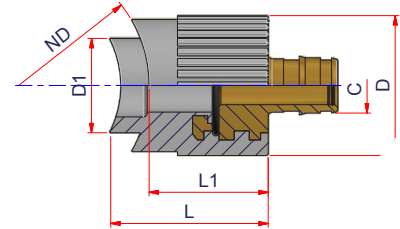


Code	\varnothing	Carton Qty	Weight lb/p.	Volume ft ³ /p.	ND	Thread	L Thread min	D1	D	L1	L
27NGSF124050SS	1 1/4" x 1/2" NPT 1 1/2" x 1/2" NPT	70	0.14	0.0042	1 1/4" => 40 mm 1 1/2" => 50 mm	1/2" NPT	0.53	0.98	1.46	1.24	1.77
27NGSF126375SS	2" x 1/2" NPT 2 1/2" x 1/2" NPT	70	0.14	0.0042	2" => 63 mm 2 1/2" => 75 mm	1/2" NPT	0.53	0.98	1.46	1.24	1.65
27NGSF1290110125SS	3" x 1/2" NPT 4" x 1/2" NPT 5" x 1/2" NPT	70	0.14	0.0042	3" => 90 mm 4" => 110 mm 5" => 125 mm	1/2" NPT	0.53	0.98	1.46	1.24	1.61
27NGSF12160200SS	6" x 1/2" NPT 8" x 1/2" NPT	70	0.14	0.0042	6" => 160 mm 8" => 200 mm	1/2" NPT	0.53	0.98	1.46	1.24	1.57
27NGSF12250315SS	10" x 1/2" NPT 12" x 1/2" NPT	-	-	-	10" => 250 mm 12" => 315 mm	1/2" NPT	0.53	0.98	1.46	1.24	-
27NGSF12355630SS	14" x 1/2" NPT ÷ 24" x 1/2" NPT	-	-	-	14" => 355 mm ÷ 24" => 630 mm	1/2" NPT	0.53	0.98	1.46	1.24	-
27NGSF344050SS	1 1/4" x 3/4" NPT 1 1/2" x 3/4" NPT	-	-	-	1 1/4" => 40 mm 1 1/2" => 50 mm	3/4" NPT	0.55	0.98	1.65	1.32	1.85
27NGSF346375SS	2" x 3/4" NPT 2 1/2" x 3/4" NPT	-	-	-	2" => 63 mm 2 1/2" => 75 mm	3/4" NPT	0.55	0.98	1.65	1.32	1.73
27NGSF3490110125SS	3" x 3/4" NPT 4" x 3/4" NPT 5" x 3/4" NPT	-	-	-	3" => 90 mm 4" => 110 mm 5" => 125 mm	3/4" NPT	0.55	0.98	1.65	1.32	1.69
27NGSF34160200SS	6" x 3/4" NPT 8" x 3/4" NPT	-	-	-	6" => 160 mm 8" => 200 mm	3/4" NPT	0.55	0.98	1.65	1.32	1.65
27NGSF34250315SS	10" x 3/4" NPT 12" x 3/4" NPT	-	-	-	10" => 250 mm 12" => 315 mm	3/4" NPT	0.55	0.98	1.65	1.32	-
27NGSF34355630SS	14" x 3/4" NPT ÷ 24" x 3/4" NPT	-	-	-	14" => 355 mm ÷ 24" => 630 mm	3/4" NPT	0.55	0.98	1.65	1.32	-
27NGSF016375SS	2" x 1" NPT 2 1/2" x 1" NPT	-	-	-	2" => 63 mm 2 1/2" => 75 mm	1" NPT	0.66	1.26	2.13	1.50	2.05
27NGSF0190110125SS	3" x 1" NPT 4" x 1" NPT 5" x 1" NPT	-	-	-	3" => 90 mm 4" => 110 mm 5" => 125 mm	1" NPT	0.66	1.26	2.13	1.50	1.97
27NGSF01160200SS	6" x 1" NPT 8" x 1" NPT	-	-	-	6" => 160 mm 8" => 200 mm	1" NPT	0.66	1.26	2.13	1.50	1.91
27NGSF01250315SS	10" x 1" NPT 12" x 1" NPT	-	-	-	10" => 250 mm 12" => 315 mm	1" NPT	0.66	1.26	2.13	1.50	1.91
27NGSF01355630SS	14" x 1" NPT ÷ 24" x 1" NPT	-	-	-	14" => 355 mm ÷ 24" => 630 mm	1" NPT	0.66	1.26	2.13	1.50	-

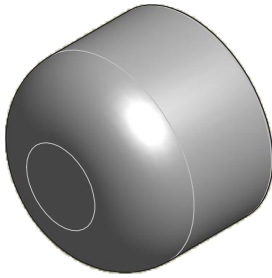


PEX ADAPTER FUSION WELDING SADDLE

Material: PP-RCT - PEXI
Range: $\varnothing 1\frac{1}{4}'' \times \frac{1}{2}'' \div 5'' \times \frac{1}{2}''$

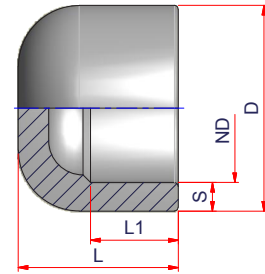


Code	\varnothing	Carton Qty	Weight lb/p.	Volume ft ³ /p.	ND	C	D1	D	L1	L
27NPGS124050	1 1/4" x 1/2"	-	-	-	1 1/4" => 40 mm	1/2" => 20 mm				
	1 1/2" x 1/2"				1 1/2" => 50 mm					
27NPGS126375	2" x 1/2"	-	-	-	2" => 63 mm	1/2" => 20 mm				
	2 1/2" x 1/2"				2 1/2" => 75 mm					
27NPGS1290110125	3" x 1/2"	-	-	-	3" => 90 mm	1/2" => 20 mm				
	4" x 1/2"				4" => 110 mm					
	5" x 1/2"				5" => 125 mm					



END CAP - SOCKET FUSION

Material: PP-RCT
Range: $\varnothing 1/2'' \div 5''$

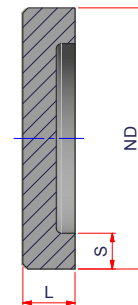


Code	\varnothing	Carton Qty	Weight lb/p.	Volume ft ³ /p.	ND	S	D	L1	L
27NCC20	1/2"	200	0.02	0.0014	1/2" => 20 mm	0.13	1.18	0.67	1.14
27NCC25	3/4"	130	0.04	0.0021	3/4" => 25 mm	0.17	1.40	0.71	1.34
27NCC32	1"	70	0.08	0.0042	1" => 32 mm	0.21	1.77	0.79	1.58
27NCC40	1 1/4"	50	0.11	0.0060	1 1/4" => 40 mm	0.26	2.13	0.87	1.65
27NCC50	1 1/2"	25	0.17	0.0116	1 1/2" => 50 mm	0.33	2.60	1.00	1.89
27NCC63	2"	14	0.35	0.0208	2" => 63 mm	0.41	3.27	1.34	2.21
27NCC75	2 1/2"	8	0.55	0.0367	2 1/2" => 75 mm	0.49	3.90	1.69	2.40
27NCC90	3"	8	0.72	0.0367	3" => 90 mm	0.59	4.72	1.46	2.44
27NCC110	4"	8	1.25	0.0741	4" => 110 mm	0.72	5.83	1.10	2.68
27NCC125	5"	5	1.87	0.1186	5" => 125 mm	0.82	6.61	1.87	3.17



END CAP - SHORT SPIGOT

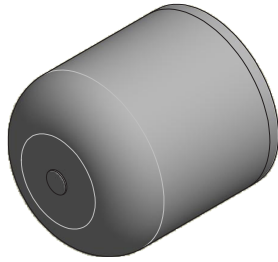
Material: PP-RCT
Range: $\varnothing 6'' \div 18''$
Notes: For butt welding



SDR 7.3

Code	\varnothing	Carton Qty	Weight lb/p.	Volume ft ³ /p.	ND	S	L
27NCC16073MS	6"	-	3.160	-	6" => 160 mm	0.86	1.97
27NCC20073MS	8"	-	5.643	-	8" => 200 mm	1.08	1.97
27NCC25073MS	10"	-	8.448	-	10" => 250 mm	1.35	3.15
27NCC31573MS	12"	-	22.629	-	12" => 315 mm	1.70	3.15
27NCC35573MS	14"	-	25.608	-	14" => 355 mm	1.91	3.15
27NCC40073MS	16"	-	52.140	-	16" => 400 mm	2.15	3.15
27NCC45073MS	18"	-	66.000	-	18" => 450 mm	2.42	3.15

Also available as a long spigot fitting.

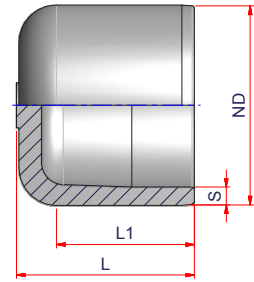


END CAP - LONG SPIGOT

Material: PP-RCT

Range: \varnothing 2" ÷ 8"

Notes: For butt welding or electrofusion welding



SDR 11

Code	\varnothing	Carton Qty	Weight lb/p.	Volume ft ³ /p.	ND	S	L1	L
27NCC6311M	2"	70	0.23	0.0180	2" => 63 mm	0.23	2.76	3.43
27NCC7511M	2½"	-	-	-	2½" => 75 mm	0.27	2.95	3.74
27NCC9011M	3"	30	0.61	0.0424	3" => 90 mm	0.32	3.19	4.13
27NCC11011M	4"	18	1.00	0.0707	4" => 110 mm	0.39	3.54	4.69
27NCC12511M	5"	24	1.38	0.1180	5" => 125 mm	0.45	3.74	5.04
27NCC16011M	6"	16	2.63	0.1765	6" => 160 mm	0.58	4.25	5.59
27NCC20011M	8"	24	4.70	0.3178	8" => 200 mm	0.72	5.24	6.77

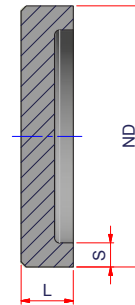


END CAP - SHORT SPIGOT

Material: PP-RCT

Range: \varnothing 10" ÷ 24"

Notes: For butt welding



SDR 11

Code	\varnothing	Carton Qty	Weight lb/p.	Volume ft ³ /p.	ND	S	L
27NCC25011MS	10"	5	7.04	0.5650	10" => 250 mm	0.89	1.97
27NCC31511MS	12"	14	18.86	1.2833	12" => 315 mm	1.13	1.97
27NCC35511MS	14"	4	21.34	1.9069	14" => 355 mm	1.27	3.15
27NCC40011MS	16"	4	43.45	44.920	16" => 400 mm	1.43	3.15
27NCC45011MS	18"	1	55.00	-	18" => 450 mm	1.61	3.15
27NCC50011MS	20"	1	-	-	20" => 500 mm	1.79	3.15
27NCC56011MS	22"	1	-	-	22" => 560 mm	2.00	3.15
27NCC63011MS	24"	1	-	-	24" => 630 mm	2.25	3.15

Also available as a long spigot fitting.

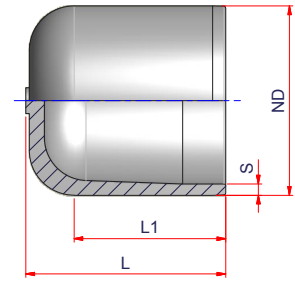


END CAP - LONG SPIGOT

Material: PP-RCT

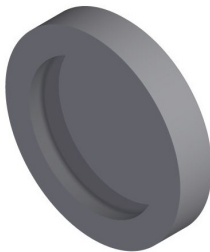
Range: \varnothing 2" ÷ 8"

Notes: For butt welding or electrofusion welding



SDR 17

Code	\varnothing	Carton Qty	Weight lb/p.	Volume ft ³ /p.	ND	S	L1	L
27NCC6317M	2"	-	-	-	2" => 63 mm	0.15	2.68	3.43
27NCC9017M	3"	-	-	-	3" => 90 mm	0.21	2.91	3.74
27NCC11017M	4"	18	0.87	0.0706	4" => 110 mm	0.26	3.27	4.13
27NCC12517M	5"	-	-	-	5" => 125 mm	0.29	3.43	4.57
27NCC16017M	6"	-	0.38	-	6" => 160 mm	0.37	3.74	5.04
27NCC20017M	8"	-	0.59	-	8" => 200 mm	0.47	5.24	6.65

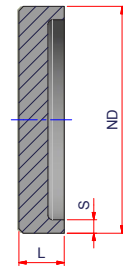


END CAP - SHORT SPIGOT

Material: PP-RCT

Range: \varnothing 10" ÷ 24"

Notes: For butt welding



SDR 17

Code	\varnothing	Carton Qty	Weight lb/p.	Volume ft ³ /p.	ND	S	L
27NCC25017MS	10"	-	0.21	-	10" => 250 mm	0.58	1.97
27NCC31517MS	12"	-	-	-	12" => 315 mm	0.74	1.97
27NCC35517MS	14"	-	0.55	-	14" => 355 mm	0.83	1.97
27NCC40017MS	16"	-	0.90	-	16" => 400 mm	0.93	1.97
27NCC45017MS	18"	-	1.24	-	18" => 450 mm	1.05	3.15
27NCC50017MS	20"	-	-	-	20" => 500 mm	1.17	3.15
27NCC56017MS	22"	-	-	-	22" => 560 mm	1.31	3.15
27NCC63017MS	24"	-	-	-	24" => 630 mm	1.47	3.15

Also available as a long spigot fitting.



STUB FLANGE - SOCKET FUSION

(A)

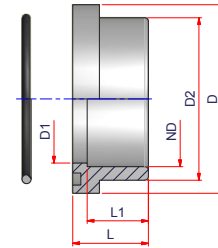


Material: PP-RCT - NBR O'ring

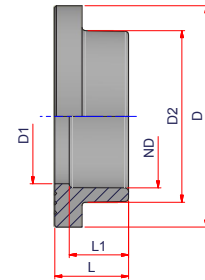
Range: $\varnothing 1'' \div 5''$

Note: from $\varnothing 1''$ to $\varnothing 2\frac{1}{2}''$ with o'ring.

from $\varnothing 3''$ to $\varnothing 5''$ gasket is not included



(B)



Code	\varnothing	Type	Carton Qty	Weight lb/p.	Volume ft ³ /p.	ND	D1	D2	D	L1	L
27NCOSA32	1"	A	100	0.05	0.0028	1" => 32 mm	1.10	1.60	2.01	0.71	1.02
27NCOSA40	1 1/4"	A	50	0.09	0.0060	1 1/4" => 40 mm	1.42	1.95	2.52	0.81	1.18
27NCOSA50	1 1/2"	A	36	0.12	0.0081	1 1/2" => 50 mm	1.83	2.40	2.88	0.93	1.34
27NCOSA63	2"	A	20	0.19	0.0144	2" => 63 mm	2.24	2.99	4.02	1.10	1.42
27NCOSA75	2 1/2"	A	12	0.28	0.0243	2 1/2" => 75 mm	2.80	3.54	4.11	1.18	1.65
27NCOSA90	3"	B	8	0.55	0.0367	3" => 90 mm	3.31	4.25	5.43	1.46	1.81
27NCOSA110	4"	B	10	0.83	0.0593	4" => 110 mm	4.09	5.16	6.22	1.50	2.05
27NCOSA125	5"	B	8	0.83	0.0741	5" => 125 mm	4.72	5.75	6.30	1.57	2.17



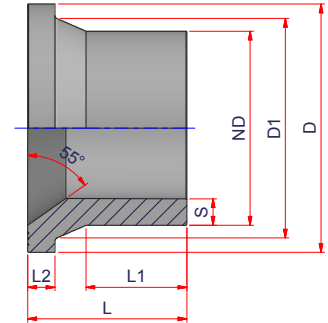
STUB FLANGE - LONG SPIGOT



Material: PP-RCT

Range: $\varnothing 6'' \div 8''$

Notes: For butt welding or electrofusion welding

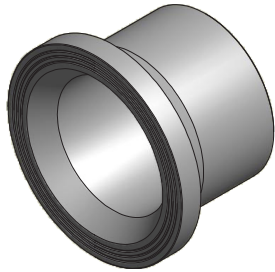


SDR 7.3

Code	\varnothing	Carton Qty	Weight lb/p.	Volume ft ³ /p.	ND	S	D	D1	L1	L2	L
27NCRT16073	6"	-	-	-	6" => 160 mm	0.86	8.35	6.89	4.13	1.14	7.08
27NCRT20073	8"	-	-	-	8" => 200 mm	1.08	10.55	9.06	4.51	1.28	7.36



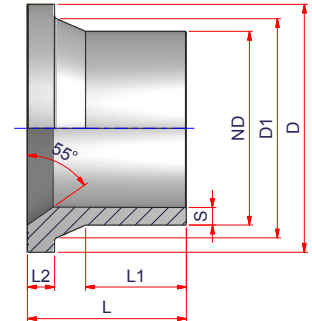
STUB FLANGE - LONG SPIGOT



Material: PP-RCT

Range: $\varnothing 1" \div 12"$

Notes: For butt welding or electrofusion welding



SDR 11

Code	\varnothing	Carton Qty	Weight lb/p.	Volume ft ³ /p.	ND	S	D	D1	L1	L2	L
27NCRT3211	1"	60	0.14	0.0098	1" => 32 mm	0.13	2.48	1.61	1.73	0.41	3.07
27NCRT4011	1 1/4"	30	0.21	0.0197	1 1/4" => 40 mm	0.15	3.07	1.93	2.48	0.43	3.78
27NCRT5011	1 1/2"	24	0.29	0.0247	1 1/2" => 50 mm	0.18	3.46	2.36	2.56	0.47	3.82
27NCRT6311	2"	30	0.47	0.0494	2" => 63 mm	0.23	4.02	2.91	2.95	0.59	4.61
27NCRT7511	2 1/2"	48	0.66	0.0590	2 1/2" => 75 mm	0.27	4.80	3.43	3.31	0.75	4.96
27NCRT9011	3"	30	1.20	0.0942	3" => 90 mm	0.32	5.43	4.13	4.06	0.67	5.55
27NCRT11011	4"	48	1.63	0.1589	4" => 110 mm	0.39	6.22	4.92	4.49	0.71	6.26
27NCRT12511	5"	40	1.73	0.1907	5" => 125 mm	0.45	6.22	5.20	4.80	0.94	7.01
27NCRT16011	6"	24	3.87	0.3178	6" => 160 mm	0.58	8.35	6.89	4.11	0.94	7.09
27NCRT20011	8"	12	7.08	0.6356	8" => 200 mm	0.72	10.55	9.06	4.51	1.28	7.36
27NCRT25011	10"	18	9.72	0.9983	10" => 250 mm	0.90	12.52	10.63	4.72	1.32	7.68
27NCRT31511	12"	-	-	-	12" => 315 mm	1.13	15.04	12.68	5.12	1.34	8.07



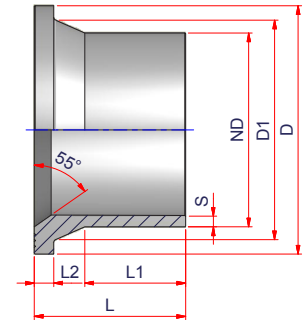
STUB FLANGE - LONG SPIGOT



Material: PP-RCT

Range: \varnothing 2" ÷ 12"

Notes: For butt welding or electrofusion welding



SDR 17

Code	\varnothing	Carton Qty	Weight lb/p.	Volume ft ³ /p.	ND	S	D	D1	L1	L2	L
27NCRT6317	2"	30	0.37	-	2" => 63 mm	0.15	4.02	2.91	2.95	0.59	4.61
27NCRT7517	2½"	-	0.70	-	2½" => 75 mm	0.18	4.80	3.43	3.31	0.63	4.96
27NCRT9017	3"	30	0.88	-	3" => 90 mm	0.21	5.43	4.13	4.06	0.67	5.55
27NCRT11017	4"	-	1.54	-	4" => 110 mm	0.26	6.22	4.92	4.49	0.71	6.26
27NCRT12517	5"	40	1.43	0.1907	5" => 125 mm	0.29	6.22	5.16	5.20	0.67	6.73
27NCRT16017	6"	-	3.52	0.3178	6" => 160 mm	0.37	8.35	6.90	4.13	0.71	7.09
27NCRT20017	8"	12	5.32	0.6356	8" => 200 mm	0.47	10.55	9.06	4.92	0.94	7.36
27NCRT25017	10"	-	8.80	-	10" => 250 mm	0.58	12.52	10.63	4.65	1.22	7.28
27NCRT31517	12"	12	10.82	-	12" => 315 mm	0.74	14.80	12.68	5.35	1.38	8.07

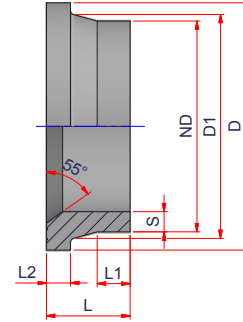
Additional sizes available. Consult factory for pricing.



STUB FLANGE - SHORT SPIGOT



Material: PP-RCT
 Range: \varnothing 12" ÷ 24"
 Notes: For butt welding



SDR 11

Code	\varnothing	Carton Qty	Weight lb/p.	Volume ft ³ /p.	ND	S	D	D1	L1	L2	L
27NCRT31511S	12"	24	16.22	1.3278	12" => 315 mm	1.13	15.04	12.66	0.98	1.34	3.94
27NCRT35511S	14"	8	23.65	2.2460	14" => 355 mm	1.27	17.00	13.98	1.97	1.67	3.94
27NCRT40011S	16"	5	35.64	3.5936	16" => 400 mm	1.43	18.98	16.09	1.14	1.81	4.80
27NCRT45011S	18"	2	60.50	8.9840	18" => 450 mm	1.61	23.03	18.36	0.59	2.36	5.31
27NCRT50011S	20"	-	70.40	-	20" => 500 mm	1.79	22.91	19.96	0.59	2.36	4.92
27NCRT56011S	22"	-	-	-	22" => 560 mm	2.00	26.97	22.32	0.59	2.36	5.31
27NCRT63011S	24"	-	-	-	24" => 630 mm	2.25	26.97	25.33	0.79	2.36	4.72

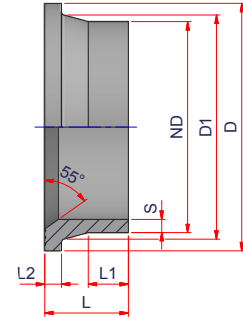
Additional sizes and SDR classes are available. Consult factory for pricing.



STUB FLANGE - SHORT SPIGOT



Material: PP-RCT
 Range: \varnothing 12" ÷ 24"
 Notes: For butt welding



SDR 17

Code	\varnothing	Carton Qty	Weight lb/p.	Volume ft ³ /p.	ND	S	D	D1	L1	L2	L
27NCRT31517S	12"	24	16.21	1.3278	12" => 315 mm	0.74	15.04	13.18	1.38	1.06	3.94
27NCRT35517S	14"	8	23.65	2.2460	14" => 355 mm	0.83	16.93	13.98	3.03	1.12	4.65
27NCRT40017S	16"	5	35.64	3.5936	16" => 400 mm	0.93	19.09	16.95	1.65	1.30	4.72
27NCRT45017S	18"	8	23.38	2.2460	18" => 450 mm	1.05	22.91	20.24	0.93	1.81	4.72
27NCRT50017S	20"	-	70.40	-	20" => 500 mm	1.17	22.91	19.94	3.27	1.81	6.81
27NCRT56017S	22"	-	-	-	22" => 560 mm	1.31	26.97	26.06	0.79	1.97	4.72
27NCRT63017S	24"	-	-	-	24" => 630 mm	1.47	26.97	25.33	1.18	1.97	4.65

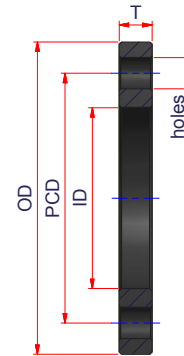
Additional sizes and SDR classes are available. Consult factory for pricing.



PP ENCAPSULATED BACKING RING ANSI/ASA 150#



Material: FR-PP Encapsulated Steel
Range: \varnothing 1" ÷ 10"

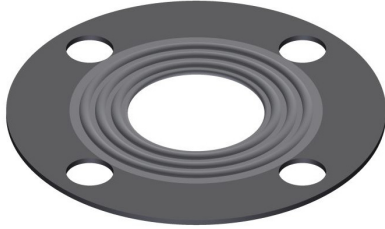


Code	\varnothing	Carton Qty	Weight lb/p.	Volume ft ³ /p.	ND (PP)	OD	ID	PCD	T	holes	N° holes
00FLAACPP321	1"	-	2.20	-	1" => 32 mm	4.25	1.73	3.13	0.63	0.63	4
00FLAACPP40114	1 ¼"	-	2.64	-	1 ¼" => 40 mm	4.61	2.05	3.50	0.63	0.63	4
00FLAACPP50112	1 ½"	-	3.30	-	1 ½" => 50 mm	5.00	2.44	3.88	0.71	0.63	4
00FLAACPP632	2"	-	4.40	-	2" => 63 mm	5.98	3.07	4.74	0.71	0.79	4
00FLAACPP75212	2 ½"	-	5.28	-	2 ½" => 75 mm	7.01	3.62	5.49	0.71	0.79	4
00FLAACPP903	3"	-	5.94	-	3" => 90 mm	7.52	4.33	5.98	0.79	0.79	4
00FLAACPP1104	4"	-	8.36	-	4" => 110 mm	9.02	5.24	7.50	0.79	0.79	8
00FLAACPP1255 *	5"	-	10.78	-	5" => 125 mm	10.00	5.83	8.50	0.79	0.91	8
00FLAACPP1606	6"	-	14.85	-	6" => 160 mm	10.98	7.01	9.49	1.02	0.91	8
00FLAACPP2008	8"	-	17.60	-	8" => 200 mm	10.98	9.25	11.75	1.02	0.91	8
00FLAACPP25010	10"	-	26.40	-	10" => 250 mm	15.98	11.42	14.25	1.18	1.02	12

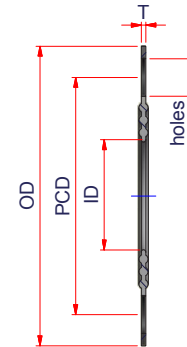
*5 inch size is also available with a 5 inch ANSI 150# hole pattern and dimensions upon request. Additional sizes available. Consult factory.



GASKET LOW - STRESS EPDM



Material: EPDM
Range: \varnothing 1" ÷ 18"



Code	\varnothing	Carton Qty	Weight lb/p.	Volume ft ³ /p.	ND	ID	PCD	OD	T	holes	N° holes
00GRET321	1"	-	0.11	-	1" => 32 mm	1.16	3.13	4.25	0.125	0.62	4
00GRET40114	1 ¼"	-	0.13	-	1 ¼" => 40 mm	1.25	3.50	4.63	0.125	0.62	4
00GRET50112	1 ½"	-	0.15	-	1 ½" => 50 mm	1.72	3.87	5.00	0.125	0.62	4
00GRET632	2"	-	0.18	-	2" => 63 mm	2.16	4.75	6.00	0.125	0.75	4
00GRET75212	2 ½"	-	0.20	-	2 ½" => 75 mm	2.50	5.50	7.00	0.125	0.75	4
00GRET903	3"	-	0.22	-	3" => 90 mm	3.15	6.00	7.50	0.125	0.75	4
00GRET1104	4"	-	0.26	-	4" => 110 mm	3.46	7.00	8.50	0.125	0.75	8
00GRET1255*	5"	-	0.29	-	5" => 125 mm	4.06	7.50	9.00	0.125	0.75	8
00GRET1606	6"	-	0.31	-	6" => 160 mm	6.14	9.50	11.00	0.125	0.88	8
00GRET2008	8"	-	0.33	-	8" => 200 mm	8.10	11.75	13.50	0.125	0.88	8
00GRET25010	10"	-	0.35	-	10" => 250 mm	10.13	14.50	16.00	0.125	1.00	12
00GRET31512	12"	-	0.37	-	12" => 315 mm	12.22	17.00	19.00	0.125	1.00	12
00GRET35514	14"	-	0.44	-	14" => 355 mm	13.87	18.75	21.00	0.125	1.12	12
00GRET40016	16"	-	0.48	-	16" => 400 mm	15.81	21.25	23.50	0.125	1.12	16
00GRET45018	18"	-	0.55	-	18" => 450 mm	17.90	22.75	25.00	0.125	1.25	16

*5 inch size is also available with a 5 inch ANSI 150# hole pattern and dimensions upon request. Additional sizes available. Consult factory.

3. PP-RCT ELECTROFUSION FITTINGS



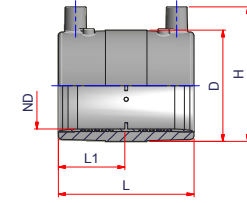
(A)



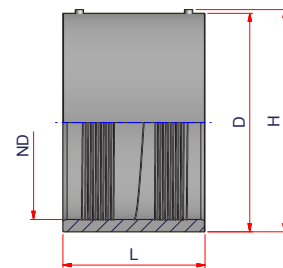
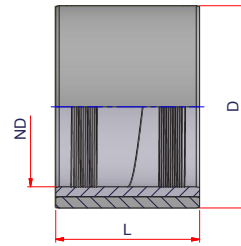
ELECTROFUSION COUPLING

Material: PP-RCT
Range: $\varnothing 1/2'' \div 18''$

(B)



(C)



SDR 11

Code	Type	\varnothing	Carton Qty	Weight lb/p.	Volume ft ³ /p.	ND	L1	L	H	D
27NME20 *	A	1/2"	60	0.12	0.0098	1/2" => 20 mm	1.34	2.76	2.05	1.30
27NME25 *	A	3/4"	50	0.15	0.0120	3/4" => 25 mm	1.34	2.76	2.28	1.52
27NME32 *	A	1"	40	0.17	0.0148	1" => 32 mm	1.34	2.76	2.56	1.79
27NME40	A	1 1/4"	30	0.25	0.0197	1 1/4" => 40 mm	1.61	3.35	2.95	2.17
27NME50	A	1 1/2"	40	0.33	0.0317	1 1/2" => 50 mm	1.67	3.47	3.43	2.68
27NME63	A	2"	30	0.48	0.0423	2" => 63 mm	1.67	3.86	3.94	3.23
27NME75	A	2 1/2"	24	0.75	0.0529	2 1/2" => 75 mm	2.40	4.92	4.49	3.86
27NME90	A	3"	30	1.11	0.0942	3" => 90 mm	2.84	5.75	5.12	4.45
27NME110	A	4"	22	1.46	0.1285	4" => 110 mm	3.03	6.10	5.67	5.35
27NME125	A	5"	16	2.20	0.1765	5" => 125 mm	3.23	6.54	6.58	6.16
27NME160	A	6"	24	3.30	0.3178	6" => 160 mm	3.41	6.89	7.93	7.48
27NME200	A	8"	14	4.78	0.5449	8" => 200 mm	3.60	7.28	9.57	9.13
27NME250	A	10"	36	9.53	0.8853	10" => 250 mm	4.17	8.35	11.81	11.65
27NME315	B	12"	20	25.85	1.7799	12" => 315 mm	-	11.81	-	15.59
27NME355	B	14"	12	13.11	1.4973	14" => 355 mm	-	12.60	-	17.72
27NME400	B	16"	-	-	-	16" => 400 mm	-	12.60	-	19.69
27NME450	C	18"	-	-	-	18" => 450 mm	-	13.39	19.88	19.69

* Weldable only on pipe SDR 9 and 7.3

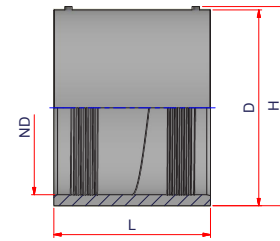


ELECTROFUSION COUPLING

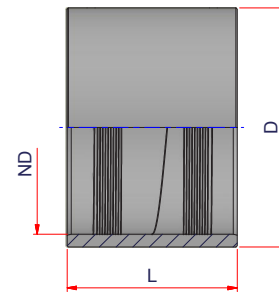
(A)



Material: PP-RCT
Range: $\varnothing 12'' \div 24''$



(B)



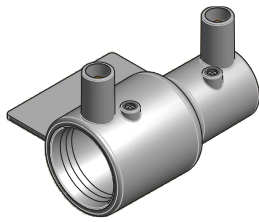
SDR 17

Code	Type	\varnothing	Carton Qty	Weight lb/p.	Volume ft ³ /p.	ND	L	H	D
27NME31517	A	12"	-	-	-	12" => 315 mm	10.24	14.25	13.98
27NME35517	A	14"	-	-	-	14" => 355 mm	12.60	16.02	14.75
27NME40017	A	16"	-	-	-	16" => 400 mm	12.60	-	17.72
27NME45017	B	18"	-	-	-	18" => 450 mm	13.39	-	19.69
27NME50017	B	20"	-	-	-	20" => 500 mm	14.17	-	22.05
27NME56017	B	22"	-	-	-	22" => 560 mm	15.75	-	24.80
27NME63017	B	24"	-	-	-	24" => 630 mm	17.32	-	27.95

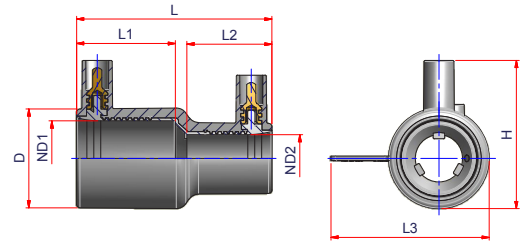


ELECTROFUSION REDUCER

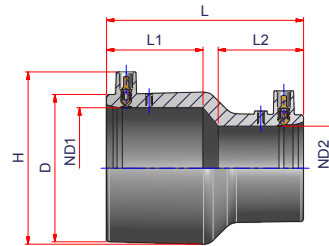
(A)



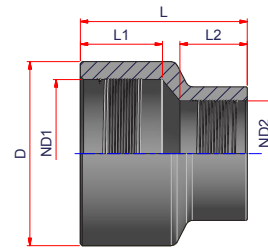
Material: PP-RCT
Range: $\varnothing 1" \times \frac{3}{4}" \div 8" \times 6"$



(B)



(C)



SDR 11

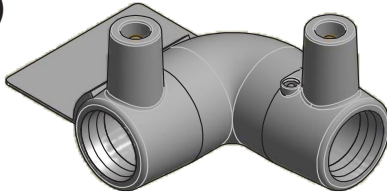
Code	Type	\varnothing	Carton Qty	Weight lb/p.	Volume ft ³ /p.	ND1	ND2	D	L1	L2	L3	L	H
27NRDE3225 *	A	1" x ¾"	20	0.18	0.0145	1" => 32 mm	¾" => 25 mm	1.73	1.56	1.56	2.76	3.33	2.54
27NRDE4032 *	B	1 ¼" x 1"	20	0.25	0.0145	1 ¼" => 40 mm	1" => 32 mm	2.17	1.85	1.65	-	3.74	2.91
27NRDE5032 *	B	1 ½" x 1"	20	0.31	0.0297	1 ½" => 50 mm	1" => 32 mm	2.52	1.95	1.63	-	3.94	3.35
27NRDE5040	B	1 ½" x 1 ¼"	10	0.37	0.0293	1 ½" => 50 mm	1 ¼" => 40 mm	2.52	1.95	1.87	-	4.06	3.35
27NRDE6332 *	B	2" x 1"	16	0.47	0.0371	2" => 63 mm	1" => 32 mm	3.21	2.19	1.65	-	4.65	3.90
27NRDE6340	B	2" x 1 ¼"	12	0.54	0.0494	2" => 63 mm	1 ¼" => 40 mm	3.21	2.17	1.77	-	4.65	3.90
27NRDE6350	B	2" x 1 ½"	12	0.54	0.0494	2" => 63 mm	1 ½" => 50 mm	3.21	2.19	1.97	-	4.65	3.90
27NRDE7563	B	2 ½" x 2"	9	0.92	0.0657	2 ½" => 75 mm	2" => 63 mm	3.82	2.36	2.24	-	4.92	4.49
27NRDE9063	B	3" x 2"	30	1.05	0.0943	3" => 90 mm	2" => 63 mm	4.53	2.68	2.44	-	5.91	5.16
27NRDE1163	B	4" x 2"	24	1.41	0.1176	4" => 110 mm	2" => 63 mm	5.31	2.85	2.48	-	6.30	5.93
27NRDE1190	B	4" x 3"	24	1.45	0.1176	4" => 110 mm	3" => 90 mm	5.31	2.87	2.70	-	6.22	5.93
27NRDE1690	B	6" x 3"	36	2.49	0.2119	6" => 160 mm	3" => 90 mm	7.56	3.19	2.83	-	6.97	8.15
27NRDE1611	B	6" x 4"	12	2.84	0.2119	6" => 160 mm	4" => 110 mm	7.56	3.19	3.03	-	7.36	8.15
27NRDE2016	C	8" x 6"	1	7.110	0.6392	8" => 200 mm	6" => 160 mm	9.84	4.45	4.52	-	8.56	-

* Weldable only on pipe SDR 9 and 7.3

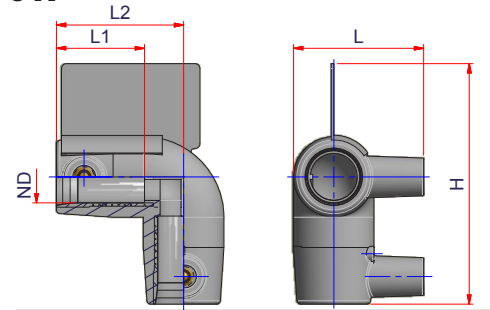


ELECTROFUSION 90° ELBOW

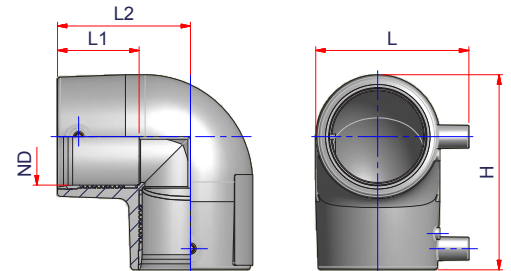
(A)



Material: PP-RCT
Range: $\varnothing 1/2'' \div 8''$



(B)



SDR 11

Code	Type	\varnothing	Carton Qty	Weight lb/p.	Volume ft ³ /p.	ND	L1	L2	L	H
27NGEM20 *	A	1/2"	40	0.16	0.0197	1/2" => 20 mm	1.34	1.99	2.05	3.76
27NGEM25 *	A	3/4"	30	0.19	0.0197	3/4" => 25 mm	1.46	2.13	2.24	4.02
27NGEM32 *	B	1"	30	0.21	0.0197	1" => 32 mm	1.34	2.26	2.52	3.15
27NGEM40	B	1 1/4"	40	0.34	0.0317	1 1/4" => 40 mm	1.61	2.56	2.87	3.60
27NGEM50	B	1 1/2"	30	0.43	0.0508	1 1/2" => 50 mm	1.89	3.03	3.31	4.31
27NGEM63	B	2"	15	0.92	0.0847	2" => 63 mm	2.09	3.46	3.94	5.08
27NGEM75	B	2 1/2"	12	0.93	0.1059	2 1/2" => 75 mm	2.28	3.82	4.33	5.59
27NGEM90	B	3"	14	2.20	0.2016	3" => 90 mm	3.07	4.69	5.24	6.93
27NGEM110	B	4"	10	3.07	0.2825	4" => 110 mm	3.27	5.67	6.46	8.43
27NGEM160	B	6"	12	7.34	0.6356	6" => 160 mm	3.54	6.81	8.21	10.59
27NGEM200 •	B	8"	1	15.40	-	8" => 200 mm	4.92	8.07	9.84	12.60

* Weldable only on pipe SDR 9 and 7.3

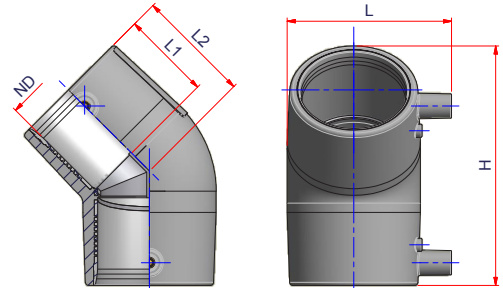
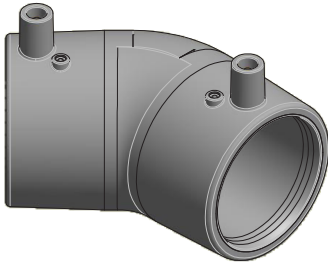
• Available first quarter 2016



ELECTROFUSION 45° ELBOW

Material: PP-RCT

Range: \varnothing 1" ÷ 8"



SDR 11

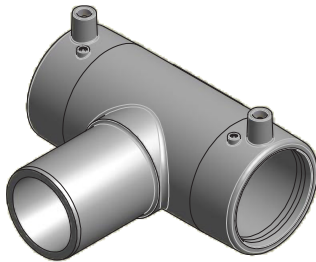
Code	\varnothing	Carton Qty	Weight lb/p.	Volume ft ³ /p.	ND	L1	L2	L	H
27NCEM32	1"	30	0.23	0.0197	1" => 32 mm	1.41	1.83	2.54	3.70
27NCEM40	1¼"	45	0.31	0.0282	1¼" => 40 mm	1.61	2.11	2.95	4.29
27NCEM50	1½"	35	0.37	0.0363	1½" => 50 mm	1.89	2.46	3.27	5.04
27NCEM63	2"	20	0.79	0.0635	2" => 63 mm	2.09	2.68	3.94	5.79
27NCEM75	2½"	14	0.97	0.0907	2½" => 75 mm	2.36	3.19	4.45	6.65
27NCEM90	3"	15	1.98	2.8251	3" => 90 mm	2.76	3.90	5.28	8.19
27NCEM110	4"	12	2.61	0.2355	4" => 110 mm	3.27	4.49	6.36	9.49
27NCEM160	6"	12	6.43	0.6356	6" => 160 mm	3.54	5.28	8.21	11.65
27NCEM200*	8"	1	13.16	1.2713	8" => 200 mm	4.76	7.28	10.24	15.35

*Available first quarter 2016



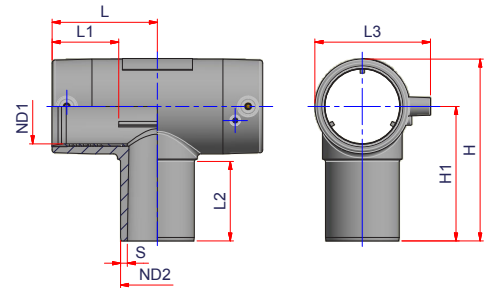
ELECTROFUSION TEE

(A)

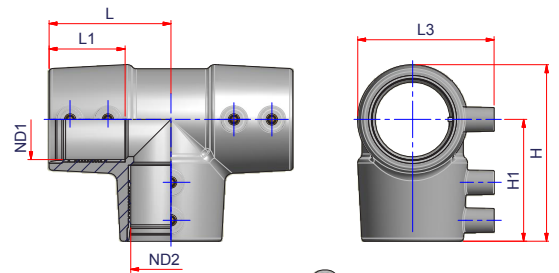
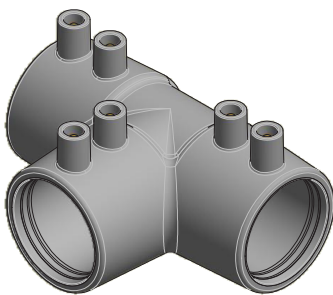


Material: PP-RCT
Range: $\varnothing 1/2'' \div 8''$

Note: Type A Single wire with spigot end
Type B Double wire



(B)



SDR 11

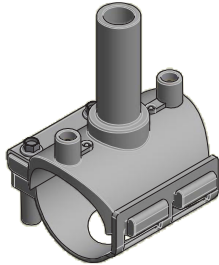
Code	Type	\varnothing	Carton Qty	Weight lb/p.	Volume ft ³ /p.	ND1	ND2	S	L1	L2	L3	L	H1	H
27NTCE20	A	1/2"	40	0.15	0.0148	1/2" => 20 mm	1/2" => 20 mm	0.12	1.48	1.81	2.05	1.77	2.62	3.27
27NTCE25	A	3/4"	30	0.18	0.0197	3/4" => 25 mm	3/4" => 25 mm	0.12	1.48	1.81	2.24	1.97	2.70	3.43
27NTCE32	A	1"	25	0.26	0.0236	1" => 32 mm	1" => 32 mm	0.12	1.48	1.85	2.52	2.17	2.95	3.80
27NTCE40	A	1 1/4"	16	0.40	0.0370	1 1/4" => 40 mm	1 1/4" => 40 mm	0.15	1.73	2.13	2.91	2.62	3.31	4.37
27NTCE50	A	1 1/2"	20	0.59	0.0635	1 1/2" => 50 mm	1 1/2" => 50 mm	0.18	1.83	2.40	3.35	3.01	3.94	5.26
27NTCE63	A	2"	12	1.16	0.1059	2" => 63 mm	2" => 63 mm	0.23	2.24	2.68	3.90	3.54	4.53	6.14
27NTCE75	A	2 1/2"	20	1.65	0.1412	2 1/2" => 75 mm	2 1/2" => 75 mm	0.27	2.28	2.83	4.41	3.86	5.12	7.01
27NTE90	B	3"	10	3.06	0.2825	3" => 90 mm	3" => 90 mm	-	2.66	-	5.28	4.72	4.72	7.17
27NTCE110	A	4"	7	4.10	0.4036	4" => 110 mm	4" => 110 mm	0.39	3.27	3.48	6.16	5.67	6.97	9.72
27NTCE160	A	6"	8	8.11	0.9535	6" => 160 mm	6" => 160 mm	0.57	3.42	4.13	7.93	5.94	8.19	11.93
27NTCE200 *	A	8"	1	14.30	-	8" => 200 mm	8" => 200 mm	0.72	4.53	4.53	9.84	7.68	9.65	14.76

*Available first quarter 2016

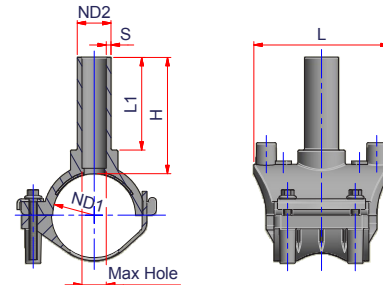


ELECTROFUSION BRANCH SADDLES WITH RIGID UNDER CLAMP

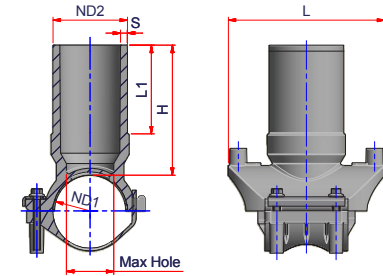
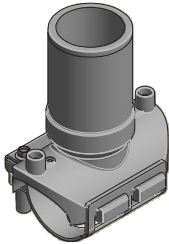
(A)



Material: PP-RCT
Range: $\varnothing 1\frac{1}{4}'' \times \frac{3}{4}'' \div 2'' \times 2''$



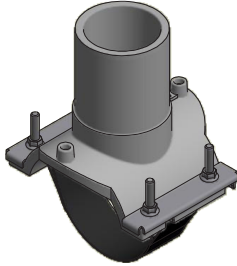
(B)



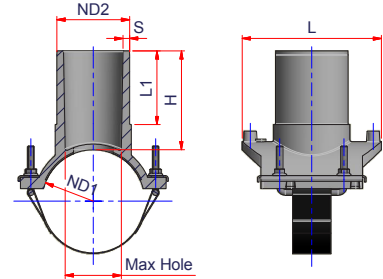
Code	Type	\varnothing	Fusion range DR	Carton Qty	Weight lb/p.	Volume ft ³ /p.	ND1	ND2	S	L1	L	H	Max Hole
27NCOL4025	A	1 1/4" x 3/4"	7.3 - 17.6				1 1/4" => 40 mm	3/4" => 25 mm	0.12	2.76	3.94	3.23	0.63
27NCOL5025	A	1 1/2" x 3/4"	7.3 - 17.6				1 1/2" => 50 mm	3/4" => 25 mm	0.12	2.76	3.94	3.23	0.63
27NCOL6325	A	2" x 3/4"	7.3 - 17.6				2" => 63 mm	3/4" => 25 mm	0.12	2.76	3.94	3.23	0.63
27NCOL7525	A	2 1/2" x 3/4"	7.3 - 17.6				2 1/2" => 75 mm	3/4" => 25 mm	0.12	2.76	3.94	3.23	0.63
27NCOL4032	A	1 1/4" x 1"	7.3 - 17.6				1 1/2" => 50 mm	1" => 32 mm	0.12	2.76	3.94	3.23	0.89
27NCOL5032	A	1 1/2" x 1"	7.3 - 17.6				1 1/2" => 50 mm	1" => 32 mm	0.12	2.76	3.94	3.23	0.89
27NCOL6332	A	2" x 1"	7.3 - 17.6				2" => 63 mm	1" => 32 mm	0.12	2.76	3.94	3.23	0.89
27NCOL9032	A	3" x 1"	7.3 - 17.6				3" => 90 mm	1" => 32 mm	0.12	2.85	3.94	3.82	0.89
27NCOL11032	A	4" x 1"	7.3 - 17.6				4" => 110 mm	1" => 32 mm	0.12	2.85	3.94	3.82	0.89
27NCOL7540	A	2 1/2" x 1 1/4"	7.3 - 17.6				2 1/2" => 75 mm	1 1/4" => 40 mm	0.15	2.76	3.94	3.82	1.18
27NCOL6363	B	2" x 2"	7.3 - 17.6				2" => 63 mm	2" => 63 mm	0.12	2.85	5.20	4.33	1.57
27NCOL9063	A	3" x 2"	7.3 - 17.6	25	0.84	0.1130	3" => 90 mm	2" => 63 mm	0.23	3.23	5.51	3.94	1.73
27NCOL11063	A	4" x 2"	7.3 - 17.6	20	0.94	0.1416	4" => 110 mm	2" => 63 mm	0.23	3.23	5.51	3.94	1.73
27NCOL12563	A	5" x 2"	7.3 - 17.6	15	1.01	0.1882	5" => 125 mm	2" => 63 mm	0.23	3.23	5.51	3.94	1.73



ELECTROFUSION BRANCH SADDLES WITH BELT



Material: PP-RCT
Range: $\varnothing 3'' \times \frac{3}{4}'' \div 12'' \times 5''$

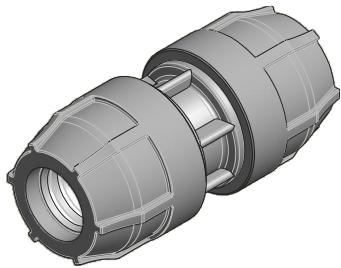


Code	\varnothing	Fusion range DR	Carton Qty	Weight lb/p.	Volume ft ³ /p.	ND1	ND2	S	L1	L	H	Max Hole
27NCOL9025	3" x 3/4"	7.3 - 17.6				3" => 90 mm	3/4" => 25 mm	0.12	2.56	5.51	3.94	0.63
27NCOL11025	4" x 3/4"	7.3 - 17.6				4" => 110 mm	3/4" => 25 mm	0.12	2.56	5.51	3.94	0.63
27NCOL12525	5" x 3/4"	7.3 - 17.6				5" => 125 mm	3/4" => 25 mm	0.12	2.56	5.51	3.94	0.63
27NCOL16025	6" x 3/4"	7.3 - 17.6				6" => 160 mm	3/4" => 25 mm	0.12	2.56	5.51	3.94	0.63
27NCOL12532	5" x 1"	7.3 - 17.6				5" => 125 mm	1" => 32 mm	0.12	2.56	5.51	3.94	0.89
27NCOL16032	6" x 1"	7.3 - 17.6				6" => 160 mm	1" => 32 mm	0.12	2.56	5.51	3.94	0.89
27NCOL20032	8" x 1"	7.3 - 17.6				8" => 200 mm	1" => 32 mm	0.12	2.56	5.51	3.94	0.89
27NCOL25032	10" x 1"	7.3 - 17.6				10" => 250 mm	1" => 32 mm	0.12	2.56	5.51	3.94	0.89
27NCOL31532	12" x 1"	7.3 - 17.6				12" => 315 mm	1" => 32 mm	0.12	2.56	5.51	3.94	0.89
27NCOL16063	6" x 2"	7.3 - 17.6	30	1.17	0.0942	6" => 160 mm	2" => 63 mm	0.23	2.56	5.51	3.94	1.73
27NCOL20063	8" x 2"	7.3 - 17.6				8" => 200 mm	2" => 63 mm	0.23	2.56	5.51	3.94	1.73
27NCOL25063	10" x 2"	7.3 - 17.6				10" => 250 mm	2" => 63 mm	0.23	2.56	5.51	3.94	1.73
27NCOL31563	12" x 2"	7.3 - 17.6				12" => 315 mm	2" => 63 mm	0.23	2.56	5.51	3.94	1.73
27NCOL16090	6" x 3"	7.3 - 17.6	15	2.30	0.1889	6" => 160 mm	3" => 90 mm	0.32	3.54	6.69	4.72	2.76
27NCOL20090	8" x 3"	7.3 - 17.6				8" => 200 mm	3" => 90 mm	0.32	3.54	6.69	4.72	2.76
27NCOL25090	10" x 3"	7.3 - 17.6				10" => 250 mm	3" => 90 mm	0.32	3.86	7.87	5.12	2.76
27NCOL31590	12" x 3"	7.3 - 17.6				12" => 315 mm	3" => 90 mm	0.32	3.86	7.87	5.12	2.76
27NCOL200110	8" x 4"	7.3 - 17.6				8" => 200 mm	4" => 110 mm	0.39	3.86	7.87	5.12	3.43
27NCOL250110	10" x 4"	7.3 - 17.6				10" => 250 mm	4" => 110 mm	0.39	3.86	7.87	5.12	3.43
27NCOL315110	12" x 4"	7.3 - 17.6				12" => 315 mm	4" => 110 mm	0.39	3.86	7.87	5.12	3.43
27NCOL200125	8" x 5"	7.3 - 17.6				8" => 200 mm	5" => 125 mm	0.45	3.86	7.87	5.12	3.94
27NCOL250125	10" x 5"	7.3 - 17.6				10" => 250 mm	5" => 125 mm	0.45	3.86	7.87	5.12	3.94
27NCOL315125	12" x 5"	7.3 - 17.6				12" => 315 mm	5" => 125 mm	0.45	3.86	7.87	5.12	3.94

4. PP-RCT COMPRESSION FITTINGS

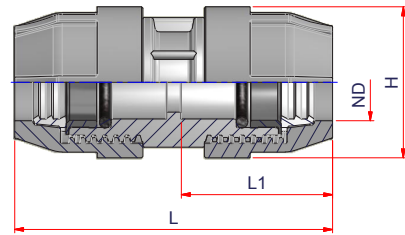


COUPLING



Material: PP-RCT + EPDM (Wetted Parts)

Range: $\varnothing 1/2'' \div 4''$



Code	\varnothing	Carton Qty	Weight lb/p.	Volume ft ³ /p.	ND	L1	L	H
03NKMAN20	1/2"	25	0.21	0.0116	1/2" => 20 mm	2.07	4.69	1.77
03NKMAN25	3/4"	35	0.26	0.0169	3/4" => 25 mm	2.15	4.69	2.09
03NKMAN32	1"	20	0.50	0.0296	1" => 32 mm	2.46	5.43	2.54
03NKMAN40	1 1/4"	12	0.85	0.0494	1 1/4" => 40 mm	3.15	6.59	3.29
03NKMAN50	1 1/2"	8	1.10	0.0741	1 1/2" => 50 mm	3.54	7.24	3.78
03NKMAN63	2"	10	1.76	0.1271	2" => 63 mm	4.33	8.84	4.45
03NKMAN75	2 1/2"	14	2.68	0.2016	2 1/2" => 75 mm	4.76	9.69	5.20
03NKMAN90	3"	9	4.28	0.3139	3" => 90 mm	5.67	11.73	5.93
03NKMAN110	4"	5	6.97	0.5650	4" => 110 mm	6.91	14.33	6.97

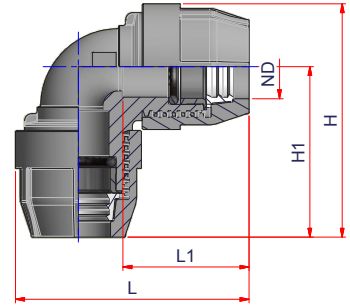


90° ELBOW



Material: PP-RCT + EPDM (Wetted Parts)

Range: $\frac{1}{2}'' \div 4''$



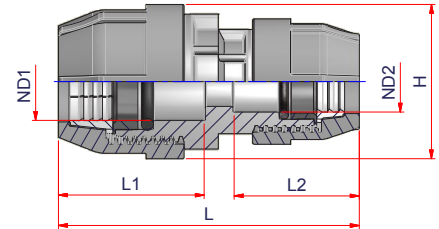
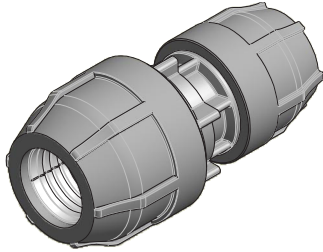
Code	Ø	Carton Qty	Weight lb/p.	Volume ft ³ /p.	ND	L1	L	H1	H
03NKG20	½"	22	0.22	0.0134	½" => 20 mm	2.07	3.68	2.72	3.68
03NKG25	¾"	30	0.31	0.0197	¾" => 25 mm	2.15	3.94	2.87	3.94
03NKG32	1"	18	0.48	0.0296	1" => 32 mm	2.46	4.72	3.39	4.72
03NKG40	1¼"	9	0.92	0.0656	1¼" => 40 mm	3.15	5.98	4.29	5.98
03NKG50	1½"	6	1.36	0.0988	1½" => 50 mm	3.54	6.61	4.80	6.61
03NKG63	2"	8	1.98	0.1589	2" => 63 mm	4.33	7.91	5.79	7.91
03NKG75	2½"	10	3.11	0.2825	2½" => 75 mm	4.76	9.29	6.69	9.29
03NKG90	3"	6	5.04	0.4707	3" => 90 mm	5.67	11.10	8.15	11.10
03NKG110	4"	4	8.11	0.7062	4" => 110 mm	6.91	13.05	9.57	13.05



REDUCER

Material: PP-RCT + EPDM (Wetted Parts)

Range: $\varnothing \frac{3}{4}'' \times \frac{1}{2}'' \div 4'' \times 3''$



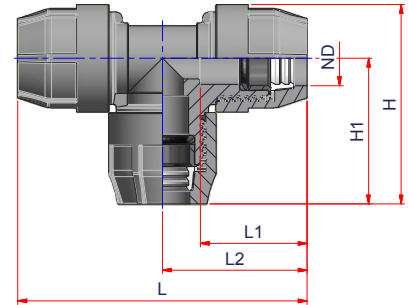
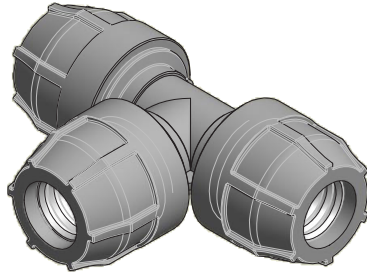
Code	\varnothing	Carton Qty	Weight lb/p.	Volume ft ³ /p.	ND1	ND2	L1	L2	L	H
03NKR2520	$\frac{3}{4}'' \times \frac{1}{2}''$	20	0.26	0.0144	$\frac{3}{4}'' \Rightarrow 25 \text{ mm}$	$\frac{1}{2}'' \Rightarrow 20 \text{ mm}$	2.15	2.07	4.37	2.09
03NKR3220	$1'' \times \frac{1}{2}''$	15	0.37	0.0194	$1'' \Rightarrow 32 \text{ mm}$	$\frac{1}{2}'' \Rightarrow 20 \text{ mm}$	2.46	2.07	5.06	2.54
03NKR3225	$1'' \times \frac{3}{4}''$	25	0.37	0.0243	$1'' \Rightarrow 32 \text{ mm}$	$\frac{3}{4}'' \Rightarrow 25 \text{ mm}$	2.46	2.15	5.08	2.54
03NKR4025	$1 \frac{1}{4}'' \times \frac{3}{4}''$	9	0.59	0.0324	$1 \frac{1}{4}'' \Rightarrow 40 \text{ mm}$	$\frac{3}{4}'' \Rightarrow 25 \text{ mm}$	3.15	2.15	5.71	3.29
03NKR4032	$1 \frac{1}{4}'' \times 1''$	12	0.63	0.0367	$1 \frac{1}{4}'' \Rightarrow 40 \text{ mm}$	$1'' \Rightarrow 32 \text{ mm}$	3.15	2.46	5.71	3.29
03NKR5032	$1 \frac{1}{2}'' \times 1''$	6	0.92	0.0487	$1 \frac{1}{2}'' \Rightarrow 50 \text{ mm}$	$1'' \Rightarrow 32 \text{ mm}$	3.54	2.46	6.42	3.78
03NKR5040	$1 \frac{1}{2}'' \times 1 \frac{1}{4}''$	9	1.01	0.0731	$1 \frac{1}{2}'' \Rightarrow 50 \text{ mm}$	$1 \frac{1}{4}'' \Rightarrow 40 \text{ mm}$	3.54	3.15	6.30	3.78
03NKR6332	$2'' \times 1''$	2	1.98	0.1462	$2'' \Rightarrow 63 \text{ mm}$	$1'' \Rightarrow 32 \text{ mm}$	4.33	2.46	7.36	4.45
03NKR6340	$2'' \times 1 \frac{1}{4}''$	2	1.65	0.1462	$2'' \Rightarrow 63 \text{ mm}$	$1 \frac{1}{4}'' \Rightarrow 40 \text{ mm}$	4.33	3.15	8.03	4.45
03NKR6350	$2'' \times 1 \frac{1}{2}''$	2	1.65	0.1462	$2'' \Rightarrow 63 \text{ mm}$	$1 \frac{1}{2}'' \Rightarrow 50 \text{ mm}$	4.33	3.54	8.98	4.45
03NKR7550	$2 \frac{1}{2}'' \times 1 \frac{1}{2}''$	3	2.20	0.1974	$2 \frac{1}{2}'' \Rightarrow 75 \text{ mm}$	$1 \frac{1}{2}'' \Rightarrow 50 \text{ mm}$	4.76	3.54	9.00	5.20
03NKR7563	$2 \frac{1}{2}'' \times 2''$	14	2.32	0.2016	$2 \frac{1}{2}'' \Rightarrow 75 \text{ mm}$	$2'' \Rightarrow 63 \text{ mm}$	4.76	4.33	9.17	5.20
03NKR9063	$3'' \times 2''$	2	3.52	0.2962	$3'' \Rightarrow 90 \text{ mm}$	$2'' \Rightarrow 63 \text{ mm}$	5.67	4.33	10.02	5.98
03NKR9075	$3'' \times 2 \frac{1}{2}''$	2	3.80	0.2962	$3'' \Rightarrow 90 \text{ mm}$	$2 \frac{1}{2}'' \Rightarrow 75 \text{ mm}$	5.67	4.76	11.44	5.98
03NKR11090	$4'' \times 3''$	6	5.79	0.4707	$4'' \Rightarrow 110 \text{ mm}$	$3'' \Rightarrow 90 \text{ mm}$	6.91	5.67	13.01	7.13



90° TEE

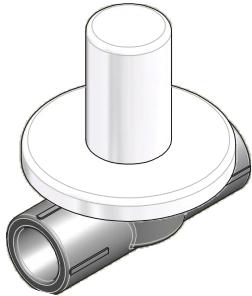
Material: PP-RCT + EPDM (Wetted Parts)

Range: $\varnothing 1/2'' \div 4''$



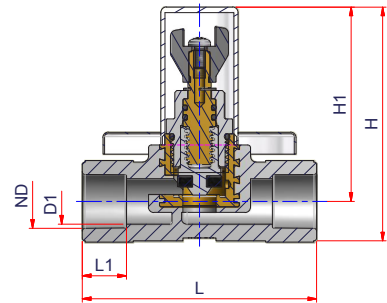
Code	\varnothing	Carton Qty	Weight lb/p.	Volume ft ³ /p.	ND	L1	L2	L	H1	H
03NKT20	1/2"	25	0.33	0.0236	1/2" => 20 mm	2.07	2.68	5.35	2.68	3.60
03NKT25	3/4"	20	0.43	0.0296	3/4" => 25 mm	2.15	2.87	5.75	2.87	3.86
03NKT32	1"	10	0.75	0.0593	1" => 32 mm	2.46	3.43	6.85	3.43	4.65
03NKT40	1 1/4"	6	1.43	0.0988	1 1/4" => 40 mm	3.15	4.25	8.50	4.25	5.98
03NKT50	1 1/2"	4	2.01	0.1483	1 1/2" => 50 mm	3.54	4.80	9.61	4.80	6.89
03NKT63	2"	5	2.86	0.2542	2" => 63 mm	4.33	5.71	11.42	5.71	7.76
03NKT75	2 1/2"	6	4.62	0.4707	2 1/2" => 75 mm	4.76	6.61	13.23	6.61	9.21
03NKT90	3"	4	5.69	0.7062	3" => 90 mm	5.67	8.15	16.30	8.15	11.08
03NKT110	4"	2	12.16	1.4125	4" => 110 mm	6.91	9.61	19.21	9.61	13.09

5. VALVES

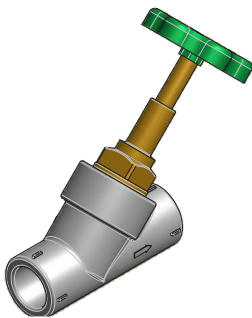


COMPLETE STOP VALVE - W/ STANDARD BRASS SOCKET FUSION

Material: PP-RCT - Metal
Range: \varnothing 1/2" ÷ 3/4"

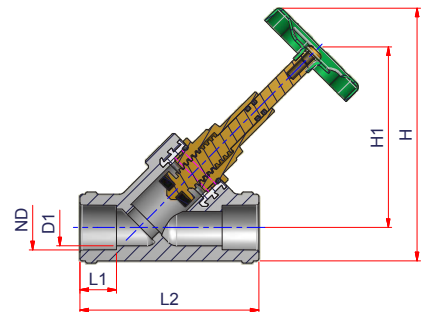


Code	\varnothing	Carton Qty	Weight lb/p.	Volume ft ³ /p.	ND	D1	L1	L	H1	H
27NRA20	1/2"	10	0.40	0.0293	1/2" => 20 mm	0.65	0.63	3.35	2.78	3.35
27NRA25	3/4"	10	0.68	0.0293	3/4" => 25 mm	0.93	0.79	3.94	3.11	3.82

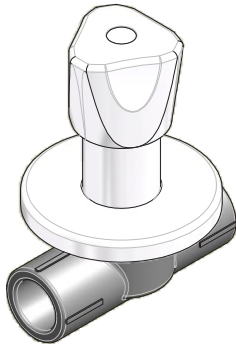


ANGLE VALVE - W/ STANDARD BRASS SOCKET FUSION

Material: PP-RCT - Metal
Range: \varnothing 1/2" ÷ 1"



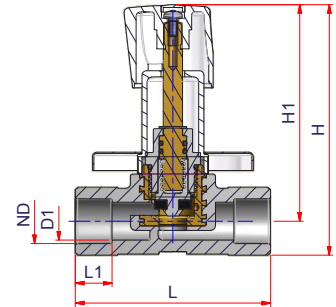
Code	\varnothing	Carton Qty	Weight lb/p.	Volume ft ³ /p.	ND	D1	L1	L2	L	H1	H
27NRAIN20	1/2"	15	0.44	0.0194	1/2" => 20 mm	0.65	0.63	3.07	4.57	3.07	4.33
27NRAIN25	3/4"	10	0.70	0.0339	3/4" => 25 mm	0.93	0.67	3.66	3.66	3.62	4.80
27NRAIN32	1"	6	1.14	0.0487	1" => 32 mm	1.10	0.79	4.53	4.53	4.49	5.91



EXTENDED STOP VALVE - W/STANDARD BRASS SOCKET FUSION

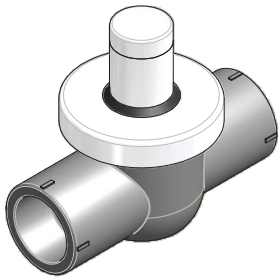
Material: PP-RCT - Metal (*)

Range: $\varnothing 1/2'' \div 3/4''$



Code	\varnothing	Carton Qty	Weight lb/p.	Volume ft ³ /p.	ND	D1	L1	L	H1	H
27NRAPRO20	1/2"	10	0.46	0.0314	1/2" => 20 mm	0.65	0.63	3.35	3.70	4.29
27NRAPRO25	3/4"	10	0.77	0.0293	3/4" => 25 mm	0.93	0.79	3.94	3.70	4.41

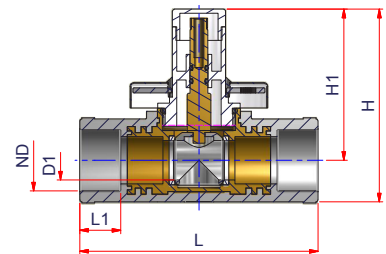
*The shape of the handle may be changed



CONCEALED (EXTRACTABLE) BALL VALVE W/STANDARD BRASS - SOCKET FUSION

Material: PP-RCT - Metal

Range: $\varnothing 1/2'' \div 1''$



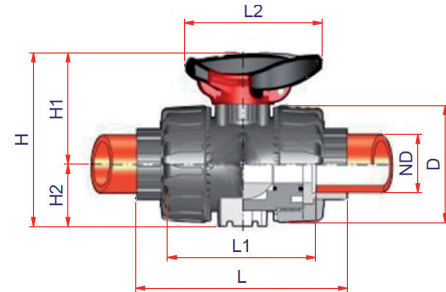
Code	\varnothing	Carton Qty	Weight lb/p.	Volume ft ³ /p.	ND	D1	L1	L	H1	H
27NRS20	1/2"	10	1.01	0.0293	1/2" => 20 mm	0.59	0.63	3.96	2.87	3.62
27NRS25	3/4"	10	1.00	0.0293	3/4" => 25 mm	0.59	0.67	3.96	2.87	3.62
27NRS32	1"	10	1.30	0.0293	1" => 32 mm	0.79	0.79	4.76	3.03	3.86



PPR TRUE UNION BALL VALVE SOCKET FUSION



Material: PP / PP-RCT End Connectors
Range: $\varnothing 1/2'' \div 4''$

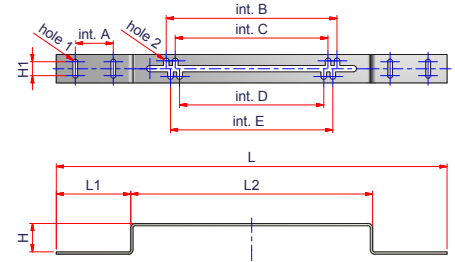
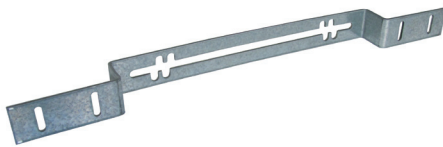


Code	\varnothing	Carton Qty	Weight lb/p.	Volume ft ³ /p.	ND	L2	L1	L	D	H1	H2	H
03NRSPPVKD020	1/2"	-	1.10	-	1/2" => 20 mm	2.64	2.87	4.02	2.13	2.13	1.14	3.27
03NRSPPVKD025	3/4"	-	1.65	-	3/4" => 25 mm	3.35	3.23	4.49	2.56	2.56	1.36	3.92
03NRSPPVKD032	1"	-	2.20	-	1" => 32 mm	3.35	3.54	4.96	2.87	2.74	1.54	4.27
03NRSPPVKD040	1 1/4"	-	2.75	-	1 1/4" => 40 mm	4.25	3.94	5.55	3.39	3.25	1.81	5.06
03NRSPPVKD050	1 1/2"	-	3.30	-	1 1/2" => 50 mm	4.25	4.61	6.46	3.86	3.50	2.05	5.55
03NRSPPVKD063	2"	-	4.40	-	2" => 63 mm	5.28	5.67	7.83	4.81	4.25	2.44	6.69
03NRSPPVKD075	2 1/2"	-	5.50	-	2 1/2" => 75 mm	8.86	6.02	8.39	6.38	6.46	3.43	9.88
03NRSPPVKD090	3"	-	6.60	-	3" => 90 mm	12.87	6.81	9.41	7.95	6.97	4.13	11.10
03NRSPPVKD110	4"	-	8.80	-	4" => 110 mm	15.16	7.83	10.55	9.29	7.68	5.08	12.76

6. SPARE PARTS

MOUNTING UNIT

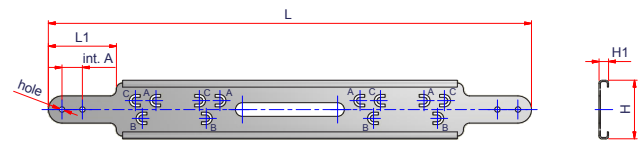
Material: Metal



Code	Carton Qty	Weight lb/p.	Volume ft ³ /p.	L	L1	L2	H	H1	hole1	int.A	hole2	int.B	int.C	int.D	int.E
OODIMA	28	0.52	0.0197	16.14	3.05	10.04	1.18	0.59	0.20	1.58	0.26	6.69	5.91	6.30	7.09

TEMPLATE FOR EXTERNAL BATH TAPS

Material: Metal



Code	Carton Qty	Weight lb/p.	Volume ft ³ /p.	L	L1	H	H1	hole	int.A	A-A	B-A	B-B	C-C
OODIMARL	100	0.27	0.0056	13.94	1.97	1.67	0.26	0.16	0.59	5.91	6.30	6.69	7.09

CHROME PLATE FOR CONCEALED (EXTRACTABLE) BALL VALVE



Material: Chrome plated plastic

Notes: For code 27NRS..

Code	Carton Qty	Weight lb/p.	Volume ft ³ /p.
00RSRC	60	0.11	0.0098

SPARE BALL FOR CONCEALED (EXTRACTABLE) BALL VALVE



Material: Steel - Brass

Notes: For code 27NRS..

Code	Ø	Carton Qty	Weight lb/p.	Volume ft ³ /p.
00RSRS2025	1/2" - 1"	1	0.22	-
00RSRS32	3/4"	1	0.44	-

EXTENSION



Material: Steel + Brass
Notes: For code 27NRS..

Code	Length	Carton Qty	Weight lb/p.	Volume ft ³ /p.
00PROSF	0.86"	10	0.17	0.0057

HANDLE FOR CONCEALED (EXTRACTABLE) BALL VALVE



Material: Steel + Brass
Notes: For code 27NRS..

Code	Carton Qty	Weight lb/p.	Volume ft ³ /p.
00MAS	10	0.27	0.0123

LEVER HANDLE FOR CONCEALED (EXTRACTABLE) BALL VALVE



Material: Steel + Brass
Notes: For code 27NRS..

Code	Carton Qty	Weight lb/p.	Volume ft ³ /p.
00LRS	10	0.44	0.0124

BOLT SPARE PART FOR STOP VALVE



Material: Brass
Notes: For code 27NRS..

Code	Ø	Carton Qty	Weight lb/p.	Volume ft ³ /p.
00VIT20	½"	150	0.08	0.0021
00VIT25	¾"	100	0.24	0.0028

CHROME PLATED BOLT FOR STOP VALVE



Material: Chrome plated plastic

Notes: For code 27NRA..- 27NRAPRO..

Code	Carton Qty	Weight lb/p.	Volume ft ³ /p.
00RARC	70	0.06	0.0085

EXTENSION FOR STOP VALVE



Material: Brass

Notes: For code 27NRA..- 27NRAPRO..

Code	Carton Qty	Weight lb/p.	Volume ft ³ /p.
00PROVI	20	0.17	0.0124

HANDLE FOR STOP VALVE

Material: Brass

Notes: For code 27NRA..- 27NRAPRO...



Code	Carton Qty	Weight lb/p.	Volume ft ³ /p.
00MAVI	10	0.14	0.0123

7. EQUIPMENT



PIPE CUTTER

Material: Metal
Range: $\varnothing 1/2'' \div \varnothing 1 1/4''$

Code	\varnothing	Pack.	Weight lb/p	Volume ft ³ /p.
00TT1540	$1/2'' \div 1 1/4''$	1	2.20	-



MANUAL SCRAPER

Material: Plastic + Metal
Range: All

Code	Pack.	Weight lb/p	Volume ft ³ /p.
00RAM1	10	0.30	0.1716



REVOLVING SCRAPER

Material: Metal
Range: $\varnothing 2 1/2'' \div \varnothing 16''$

Code	\varnothing	Pack.	Weight lb/p	Volume ft ³ /p.
00RAT1A	$2 1/2'' \div 6''$	1	10.58	0.05
00RAT2A	$8'' \div 16''$	1	18.52	0.06
SPARE BLADES FOR SCRAPERS				
00RATKITRIC	for 00RAT1A / 00RAT2A	1	2.64	0.01

TURBO SCRAPER



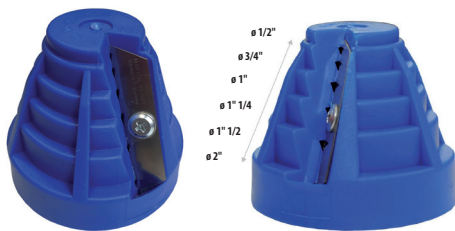
Material: Metal
Range: $\varnothing 1/2'' \div \varnothing 2''$

Code	\varnothing	Pack.
00RATURB020	1/2"	1
00RATURB025	3/4"	1
00RATURB032	1"	1
00RATURB040	1 1/4"	1
00RATURB050	1 1/2"	1
00RATURB063	2"	1

TURBO SCRAPER KIT

Material: Metal
Range: $\varnothing 1/2'' \div \varnothing 2''$
Note: Suitcase including turbo scrapers from $\varnothing 1/2''$ to 2", manual scraper

Code	\varnothing
00RATURBOKIT	from 1/2" to 2"



Code	\varnothing	Pack.	Weight lb/p
00SMUSS2063	1/2" \div 2"	1	1.98



ALIGNER FOR ELECTROFUSION FITTINGS

Material: Metal
Range: $\varnothing\frac{1}{2}'' \div \varnothing16''$

Code	\varnothing	Pack.	Weight lb/p	Volume ft ³ /p.
00ALL063/4	$\frac{1}{2}'' \div 2''$	1	10.58	0.18
00ALL225/4	$1\frac{1}{2}'' \div 8''$	1	45.86	0.69
00ALL315/4	$10'' \div 16''$	1	191.80	3.63



WELDER WITH CASE

Material: Metal
Range: $\varnothing\frac{1}{2}'' \div \varnothing1''$
Notes: With bushings and case included

Code	\varnothing	Pack.	Weight lb/p	Power supply
00NSBEP/110	$\frac{1}{2}'' - \frac{3}{4}'' - 1''$	1	17.63	110V- 800W



WELDER WITH SUPPORT

Material: Metal
Range: $\varnothing\frac{1}{2}'' \div \varnothing2''$
Notes: Die pairs bushings not included

Code	\varnothing	Pack.	Weight lb/p	Power supply
00NPCCE/110	$\frac{1}{2}'' \div 2''$	1	6.17	110V/800 W



WELDER WITH SUPPORT

Material: Metal

Range: $\varnothing 1/2'' \div \varnothing 4''$

Notes: Die pairs bushings not included

Code	\varnothing	Pack.	Weight lb/p	Power supply
00NPCCE125/110	$1/2'' \div 4''$	1	8.82	110V/1400 W

MALE/FEMALE DIE PAIR FOR WELDER



Material: Metal

Range: $\varnothing 1/2'' \div \varnothing 5''$

Code	\varnothing	Pack.	Weight lb/p
00MATRICE20	$1/2''$	1+1	0.24
00MATRICE25	$3/4''$	1+1	0.33
00MATRICE32	1"	1+1	0.50
00MATRICE40	$1 1/4''$	1+1	0.72
00MATRICE50	$1 1/2''$	1+1	1.05
00MATRICE63	2"	1+1	1.38
00MATRICE75A	$2 1/2''$	1+1	2.02
00MATRICE90A	3"	1+1	3.08
00MATRICE110A	4"	1+1	5.14
00MATRICE125A	5"	1+1	4.88

MALE/FEMALE DIES FOR HOLE MENDING



Material: Metal

Code	Ø holes	Pack.	Weight lb/p
00MARP7	0.24" max	1+1	0.22
00MARP11	0.40" max	1+1	0.22

DRILL FOR SADDLES



Material: Metal

Notes: For saddles installation (codes NGS and NGSF)

Code	Ø (OUTLET)	Ø (MAIN PIPE)	Pack.
00FGS254090	½" - ¾"	1¼" ÷ 3"	1+1
00FGS25110315	½" - ¾"	4" ÷ 12"	1+1
00FGS3263125	1"	2" ÷ 5"	1+1
00FGS32160315	1"	6" ÷ 12"	1+1
00FGS40	1¼"	-	1+1
00FGS50	1½"	-	1+1
00FGS63	2"	-	1+1

DIE PAIR FOR SADDLES



Material: Metal

Notes: For welding saddles installation (codes NGS and NGSF)

Code	Ø (OUTLET)	Ø (MAIN PIPE)	Pack.	Saddles code Ref.
00MATGS202540	½" - ¾"	1 ¼"	1+1	27NGS2040 - 27NGS2540 - 27NGSF124050... - 27NGSF344050...
00MATGS202550	½" - ¾"	1 ½"	1+1	27NGS2050 - 27NGS2550 - 27NGSF124050... - 27NGSF344050...
00MATGS202563	½" - ¾"	2"	1+1	27NGS206375 - 27NGS256375 - 27NGSF126375... - 27NGSF346375...
00MATGS202575	½" - ¾"	2 ½"	1+1	27NGS206375 - 27NGS256375 - 27NGSF126375... - 27NGSF346375...
00MATGS202590	½" - ¾"	3"	1+1	27NGS2090110125 - 27NGS2590110125 - 27NGSF1290110125... - 27NGSF3490110125...
00MATGS2025110	½" - ¾"	4"	1+1	27NGS2090110125 - 27NGS2590110125 - 27NGSF1290110125... - 27NGSF3490110125...
00MATGS2025125	½" - ¾"	5"	1+1	27NGS2090110125 - 27NGS2590110125 - 27NGSF1290110125... - 27NGSF3490110125...
00MATGS2025160	½" - ¾"	6"	1+1	27NGS20160200 - 27NGS25160200 - 27NGSF12160200... - 27NGSF34160200...
00MATGS2025200	½" - ¾"	8"	1+1	27NGS20160200 - 27NGS25160200 - 27NGSF12160200... - 27NGSF34160200...
00MATGS2025250	½" - ¾"	10"	1+1	27NGS20250315 - 27NGS25250315 - 27NGSF12250315... - 27NGSF34250315...
00MATGS2025315	½" - ¾"	12"	1+1	27NGS20250315 - 27NGS25250315 - 27NGSF12250315... - 27NGSF34250315...
00MATGS2025355630	½" - ¾"	14"÷24"	1+1	27NGS20355630 - 27NGS25355630 - 27NGSF12355630... - 27NGSF34355630...
00MATGS3263	1"	2"	1+1	27NGS326375 - 27NGSF016375...
00MATGS3275	1"	2 ½"	1+1	27NGS326375 - 27NGSF016375...
00MATGS3290	1"	3"	1+1	27NGS3290110125 - 27NGSF0190110125...
00MATGS32110	1"	4"	1+1	27NGS3290110125 - 27NGSF0190110125...
00MATGS32125	1"	5"	1+1	27NGS3290110125 - 27NGSF0190110125...
00MATGS32160	1"	6"	1+1	27NGS32160200 - 27NGSF01160200...
00MATGS32200	1"	8"	1+1	27NGS32160200 - 27NGSF01160200...
00MATGS32250	1"	10"	1+1	27NGS32250315 - 27NGSF01250315...
00MATGS32315	1"	12"	1+1	27NGS32250315 - 27NGSF01250315...
00MATGS32355630	1"	14"÷24"	1+1	27NGS32355630 - 27NGSF01355630...
00MATGS4090	1 ¼"	3"	1+1	27NGS4090
00MATGS40110	1 ¼"	4"	1+1	27NGS40110
00MATGS40125	1 ¼"	5"	1+1	27NGS40125
00MATGS40160	1 ¼"	6"	1+1	27NGS40160200
00MATGS40200	1 ¼"	8"	1+1	27NGS40160200
00MATGS40250	1 ¼"	10"	1+1	27NGS40250315
00MATGS40315	1 ¼"	12"	1+1	27NGS40250315
00MATGS40355630	1 ¼"	14"÷24"	1+1	27NGS40355630

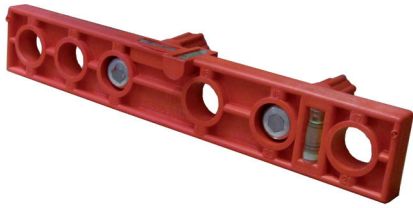
DIE PAIR FOR SADDLES



Material: Metal

Notes: For welding saddles installation (codes NGS and NGSF)

Code	Ø (OUTLET)	Ø (MAIN PIPE)	Pack.	Saddles code Ref.
00MATGS5090	1 ½"	3"	1+1	27NGS5090
00MATGS50110	1 ½"	4"	1+1	27NGS50110
00MATGS50125	1 ½"	5"	1+1	27NGS50125
00MATGS50160	1 ½"	6"	1+1	27NGS50160
00MATGS50200	1 ½"	8"	1+1	27NGS50200
00MATGS50250	1 ½"	10"	1+1	27NGS50250
00MATGS50315	1 ½"	12"	1+1	27NGS50315
00MATGS50355450	1 ½"	14"÷18"	1+1	27NGS50355450
00MATGS50500630	1 ½"	20"÷24"	1+1	27NGS50500630
00MATGS63110	2"	4"	1+1	27NGS63110
00MATGS63125	2"	5"	1+1	27NGS63125
00MATGS63160	2"	6"	1+1	27NGS63160
00MATGS63200	2"	8"	1+1	27NGS63200
00MATGS63250	2"	10"	1+1	27NGS63250
00MATGS63315	2"	12"	1+1	27NGS63315
00MATGS63355450	2"	14"÷18"	1+1	27NGS63355450
00MATGS63500630	2"	20"÷24"	1+1	27NGS63500630



PLASTIC TEMPLATE

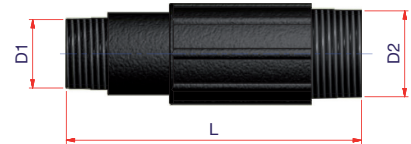
Material: Metal

Code	Pack.	Weight lb/p
00DIMAA	35	0.40

EXTENDED TESTING PLUG



Material: Plastic

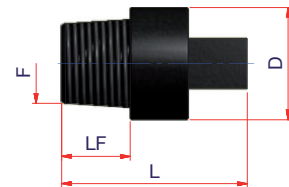


Code	Ø	Pack.	Weight lb/p	Volume ft ³ /p.	D1	D2	L
00TUN	½" - ¾"	60	0.07	0.001	½"	¾"	3.46

MALE THREADED TESTING PLUG



Material: Plastic



Code	Ø	Pack.	Weight lb/p	Volume ft ³ /p.	F	LF	L	D
00TF12	½"	100	0.03	0.0028	½"	0.74	1.89	1.14
00TF34	¾"	100	0.03	0.0032	¾"	0.74	1.89	1.14

8. ELECTROFUSION WELDING UNITS

MULTIFUNCTION WELDING UNIT INCORPORATES IN PELICAN CASE WITH BARCODE SCANNER - LIGHT VERSION -



- BASIC EQUIPMENT SUPPLIED WITH THE WELDING UNIT:**
- User's handbook on hardware support and quick guide on paper
 - USB key (4GB) to download data (welding report and pressure test)
 - Shipping box integrated
 - Barcode scanner
 - Adapters with $\varnothing 4,7$ mm pins

- ADDITIONAL EQUIPMENT AND SPARES:**
- 00SENS: Pressure test unit

Incorporate in the most innovative waterproof case (PELI). The case is watertight, waterproof, sand-proof, dust proof and able to with stand harsh environments and shocks. It is certified to withstand temperature rating from -28 to + 194 °F and is in fact the ideal mean of trasportation for sensitive devices.

TECHNICAL CHARACTERISTICS:

Conforms with CE requirements. Conforms with UNI 10566 – MULTIFUNCTION type Barcode reader conforming with ISO 13950 and manual setting of time and voltage.

Illuminated display with 4 lines, 20 characters each

Memory for 10.000 welding cycles

8 Memories with 500 parameters each for pressure tests

Fitting working range up to 40 Amp. maximum peak

Ambient temperature sensor

Power supply: 115V E 50Hz/60Hz

Maximum power: 1500 VA

Minimum power suply: 3 Kw

Output voltage: from 5 to 42 V

Power cable: L= 13.1 ft

Welding cable: L= 13.1 ft

Connectors - $\varnothing 4$ mm (art. 00S8305) with adaptors for $\varnothing 4.7$ mm (00S8203)

Dimensions: 20" x 16" x H 8"

Weight: 35 lb

Degree of protection: IP 54

Working temperature: from 0° to + 131°F

Code	Voltage	Nominal Size (Service line) IPS	Pack.	Weight lb./p.	Volume ft ³ /p.
00E9001LP/110	110V	COUPLERS 1/2" ÷ 6" SADDLES ALL SIZES	1	35.00	1.4814

MULTIFUNCTION WELDING UNIT INCORPORATES IN PELICAN CASE WITH BARCODE SCANNER

Incorporate in the most innovative waterproof case (PELI). The case is watertight, waterproof, sand-proof, dust proof and able to with stand harsh environments and shocks. It is certified to withstand temperature rating from -28 to + 194 °F and is: in fact the ideal mean of transportation for sensitive devices.



BASIC EQUIPMENT SUPPLIED WITH THE WELDING UNIT:

- User's handbook on hardware support and quick guide on paper
- USB key (4GB) to download data (welding report and pressure test)
 - Shipping box integrated
 - Barcode scanner
 - Adapters with $\varnothing 4,7$ mm pins

ADDITIONAL EQUIPMENT AND SPARES:

- 00SENS: Pressure test unit

TECHNICAL CHARACTERISTICS:

Conforms with CE requirements. Conforms with UNI 10566 – MULTIFUNCTION type Barcode reader conforming with ISO 13950 and manual setting of time and voltage.

Illuminated display with 4 lines, 20 characters each

Memory for 10.000 welding cycles

8 Memories with 500 parameters each for pressure tests

Fitting working range up to 70 Amp. maximum peak

Ambient temperature sensor

Power supply: 230V - 115V 50Hz/60Hz

Maximum power: 2000 VA

Minimum power supply: 4 Kw

Output voltage: from 5 to 42 V

Power cable: L= 13.1 ft

Welding cable: L= 13.1 ft

Connectors - $\varnothing 4$ mm (art. 00S8305) with adaptors for $\varnothing 4.7$ mm (00S8203)

Dimensions: 23.78" x 18.33" x 12.08"

Weight: 44 lb

Degree of protection: IP 54

Working temperature: from 0° to + 131°F

Code	Voltage	Nominal Size (Service line) IPS	Pack.	Weight lb./p.	Volume ft ³ /p.
00E9001P/110	110V	COUPLERS 1/2" ÷ 16" SADDLES ALL SIZES	1	44.000	3.0471
00E9001P	230V	COUPLERS 1/2" ÷ 16" SADDLES ALL SIZE	1	44.000	3.0471



Nupi Welding Cloud



BASIC EQUIPMENT SUPPLIED WITH THE WELDING UNIT:

- User's handbook on hardware support and quick guide on paper
- USB key (4GB) to download data (welding report and pressure test)
 - Shipping box integrated
 - Barcode scanner
- Adapters with $\varnothing 4,7$ mm pins

ADDITIONAL EQUIPMENT AND SPARES:

- 00SENS: Pressure test unit
- 00BCSCAN: Barcode scanner

MULTIFUNCTION - SMART - WELDING UNIT INCORPORATES IN PELICAN CASE - LIGHT VERSION -

A new evolved welding unit as the SMARTWELD associated with the APP 'Nupi Welding Cloud' allows a 360° management of all information related to the construction site, the weld itself, the traceability of the products installed, the mapping using GPS tracking as well all testing activities later.

Incorporate in the most innovative waterproof case (PELI). The case is watertight, waterproof, sand-proof, dust proof and able to with stand harsh environments and shocks. It is certified to withstand temperature rating from -28 to + 194 °F and is in fact the ideal mean of transportation for sensitive devices.

TECHNICAL CHARACTERISTICS:

*Conforms with CE requirements. Conforms with UNI 10566 – MULTIFUNCTION type
Illuminated display with 4 lines, 20 characters each
Memory for 10.000 welding cycles
8 Memories with 500 parameters each for pressure tests
Fitting working range up to 40 Amp. maximum peak
Ambient temperature sensor
Power supply: 115V - 50Hz/60Hz
Maximum power: 1500 VA
Minimum power supply: 3 Kw
Output voltage: from 5 to 42 V
Power cable: L= 13.1 ft
Welding cable: L= 13.1 ft
Connectors - $\varnothing 4$ mm (art. 00S8305) with adaptors for $\varnothing 4.7$ mm (00S8203)
Dimensions: 20" x 16" x H 8"
Weight: 35 lb
Degree of protection: IP 54
Working temperature: from 0° to + 131°F*

Code	Voltage	Nominal Size (Service line) IPS	Pack.	Weight lb./p.	Volume ft ³ /p.
00SMARTWELD/110	110V	COUPLERS ½" ÷ 6" SADDLES ALL SIZES	1	35.00	1.4814



Nupi Welding Cloud



BASIC EQUIPMENT SUPPLIED WITH THE WELDING UNIT:

- User's handbook on hardware support and quick guide on paper
- USB key (4GB) to download data (welding report and pressure test)
 - Barcode scanner
 - Shipping box integrated
 - Adapters with $\varnothing 4,7$ mm pins

ADDITIONAL EQUIPMENT AND SPARES:

- 00SENS: Pressure test unit
- 00BCSCAN: Barcode scanner

MULTIFUNCTION - SMART - WELDING UNIT INCORPORATES IN PELICAN CASE

A new evolved welding unit as the SMARTWELD associated with the APP 'Nupi Welding Cloud' allows a 360° management of all information related to the construction site, the weld itself, the traceability of the products installed, the mapping using GPS tracking as well all testing activities later.

Incorporate in the most innovative waterproof case (PELI). The case is watertight, water-proof, sand-proof, dust proof and able to with stand harsh environments and shocks. It is certified to withstand temperature rating from -28 to + 194 °F and is in fact the ideal mean of transportation for sensitive devices.

TECHNICAL CHARACTERISTICS:

Conforms with CE requirements. Conforms with UNI 10566 – MULTIFUNCTION type
Illuminated display with 4 lines, 20 characters each
Memory for 10.000 welding cycles
8 Memories with 500 parameters each for pressure tests
Fitting working range up to 70 Amp. maximum peak
Ambient temperature sensor
Power supply: 230V -115V - 50Hz/60Hz
Maximum power: 2000 VA
Minimum power supply: 4 Kw
Output voltage: from 5 to 42 V
Power cable: L= 13.1 ft
Welding cable: L= 13.1 ft
Connectors - $\varnothing 4$ mm (art. 00S8305) with adaptors for $\varnothing 4.7$ mm (00S8203)
Dimensions: 23.78" x 18.33" x 12.08"
Weight: 44 lb
Degree of protection: IP 54
Working temperature: from 0° to + 131°F

Code	Voltage	Nominal Size (Service line) IPS	Pack.	Weight lb./p.	Volume ft ³ /p.
00SMARTWELD/110	110V	COUPLERS ½" ÷ 16" SADDLES ALL SIZE	1	44.00	3.0471
00SMARTWELD	230V	COUPLERS ½" ÷ 16" SADDLES ALL SIZE	1	44.00	3.0471

**SUPER
LIGHT VERSION**



BASIC EQUIPMENT SUPPLIED WITH THE WELDING UNIT:

- User's handbook on paper
- Barcode scanner
- Adapters with $\varnothing 4,7$ mm pins

ADDITIONAL EQUIPMENT AND SPARES:

- 00BCSCAN: Barcode scanner

**AUTOMATIC MULTIFUNCTION WELDING UNIT
WITH BARCODE SCANNER - SUPER LIGHT VERSION -**

TECHNICAL CHARACTERISTICS:

Conforms with CE requirements. Conforms with UNI 10566 – MULTIFUNCTION type
Barcode reader conforming with ISO 13950 and manual setting of time and voltage
Illuminated display with 4 lines, 20 characters each
Fitting working range up to 20 Amp. maximum peak
Ambient temperature sensor
Power supply: 115V - 50Hz/60Hz
Maximum power: 500 VA
Minimum power: 1,5 Kw
Output voltage: from 5 to 42 V
Power cable: L= 13.1 ft
Welding cable: L= 13.1 ft
Connectors - $\varnothing 4$ mm (art. 00S8305) with adaptors for $\varnothing 4.7$ mm (00S8203)
Dimensions: 8,2" x 4,5" x H 7"
Weight: 16 lb
Degree of protection: IP 54
Working temperature: from 0°F to + 131°F

Code	Voltage	Nominal Size (Service line) IPS	Pack.	Weight lb./p.	Volume ft ³ /p.
00E9001SL/110	110V	COUPLERS $\frac{1}{2}$ " ÷ 2" SADDLES WITH OUTLET $\frac{1}{2}$ " ÷ 2"	1	16.00	0.1412

AUTOMATIC MULTIFUNCTION WELDING UNIT WITH BARCODE SCANNER - *LIGHT VERSION* -



- BASIC EQUIPMENT SUPPLIED WITH THE WELDING UNIT:**
- User's handbook on hardware support and quick guide on paper
 - USB key (4GB) to download data (welding report and pressure test)
 - Shipping box
 - Barcode scanner
 - Adapters with $\varnothing 4,7$ mm pins

- ADDITIONAL EQUIPMENT AND SPARES:**
- 00SENS: Pressure test unit

TECHNICAL CHARACTERISTICS:

Conforms with CE requirements. Conforms with UNI 10566 – MULTIFUNCTION type
 Barcode reader conforming with ISO 13950 and manual setting of time and voltage
 Illuminated display with 4 lines, 20 characters each
 Memory for 10.000 welding cycles
 8 Memories with 500 parameters each for pressure tests
 Fitting working range up to 40 Amp. maximum peak
 Ambient temperature sensor
 Power supply: 115V - 50Hz/60Hz
 Maximum power: 1000 VA
 Output voltage: from 5 to 42 V
 Power cable: L= 13.1 ft
 Welding cable: L= 13.1 ft
 Connectors - $\varnothing 4$ mm (art. 00S8305) with adaptors for $\varnothing 4.7$ mm (00S8203)
 Dimensions: 11" x 12" x H 6"
 Weight: 29 lb
 Degree of protection: IP 54
 Working temperature: from 0°F to + 131°F

Code	Voltage	Nominal Size (Service line) IPS	Pack.	Weight lb./p.	Volume ft ³ /p.
00E9001L/110	110V	COUPLERS ½" ÷ 6" SADDLES ALL SIZE	1	29.00	0.4583

AUTOMATIC MULTIFUNCTION WELDING UNIT WITH BARCODE SCANNER



BASIC EQUIPMENT SUPPLIED WITH THE WELDING UNIT

- User's handbook on hardware support and quick guide on paper
- USB key (4GB) to download data (welding report and pressure test)
 - Shipping box
 - Scanner for barcode input
 - Adapters with $\varnothing 4,7$ mm pins

ADDITIONAL EQUIPMENT

- 00GPS: Global Positioning System
- 00SENS: Pressure test unit

TECHNICAL CHARACTERISTICS:

Conforms with CE requirements
 Conforms with UNI 10566 – MULTIFUNCTION type
 Barcode reader conforming with ISO 13950 and manual setting of time and voltage.
 Illuminated display with 4 lines, 20 characters each
 Memory for 10.000 welding cycles
 8 Memories with 500 parameters each for pressure tests
 Fitting working range up to 100 Amp. maximum peak
 Ambient temperature sensor
 Power supply: 230V - 115V - 50Hz/60Hz
 Maximum power: 2500 VA
 Output voltage: from 5 to 42 V
 Power cable: L= 13.1 ft
 Welding cable: L= 13.1 ft
 Connectors - $\varnothing 4$ mm (art. 00S8305) with adaptors for $\varnothing 4.7$ mm (00S8203)
 Dimensions: 13" x 18" x 8" H
 Weight: 55.44 lb
 Degree of protection: IP 54
 Working temperature: from 0°F to + 131°F

Code	Voltage	Nominal Size (Service line) IPS	Pack.	Weight lb./p.	Volume ft ³ /p.
00E9001/110	110V	$\frac{1}{2}$ " ÷ 42"	1	55.44	0.1872
00E9001	230V	$\frac{1}{2}$ " ÷ 42"	1	55.44	0.1872

STANDARD TERMS & CONDITIONS

FREIGHT CONDITIONS: All NIRON orders shipped domestically are shipped F.O.B. North American Distribution Location. All NIRON Italy orders shipped from Italy are shipped F.O.B. Busto Arsizio (VA) Italy. Once the material leaves our dock it becomes the property and responsibility of the consignee. If freight is lost, or damaged, all freight claims must be filed by the consignee. When shipping to a job site, freight will be third party billed.

FULL FREIGHT ALLOWANCE: To meet the full freight allowance, NIRON orders must be for immediate complete shipment to one location within the contiguous United States or Canada. Shipments to Alaska, Puerto Rico, Hawaii or for export are not freight allowed. For shipments to Alaska, Hawaii, Puerto Rico or for export, the freight allowances shown below, for qualified items, are for shipment to East Coast, Gulf Coast or West Coast Ports only.

Shipments of Fittings Only: \$30,000 net for NIRON fitting or equipment shipments that do not include NIRON pipe for product which is shipped from the North American Distribution Location.

For combined orders of pipe and fittings:

\$50,000 net for delivery to locations within the EST zone of the USA

\$60,000 net for delivery to locations within the CST zone of the USA and EST of Canada

\$70,000 net for delivery within the MST zone of the USA and the CST, AST & NST zones of Canada

\$80,000 net for delivery to locations within the PST zone of the USA and the MST zone of Canada

\$90,000 net for delivery to locations within the PST zone of Canada

Shipments of Complete Containers: For direct shipment of containers from Italy, \$250,000 net for fittings and/or equipment and/or fittings.

For shipments that do not meet full freight allowance terms, an additional 15% service fee will be billed to the cost of the freight.

PAYMENT TERMS: All invoices are due net 30 days from the date of the invoice, with all Past Due accounts subject to a service charge of 1.5% per month. Minimum billing or credit is for \$300.00 net for NIRON Products. Any order under minimum will carry a 10% surcharge.

RETURN POLICY: All orders are non-cancellable and non-returnable, except for: Full box quantities of fittings may be returned, subject to a 10% restocking charge at the original invoiced price, if the fittings are received in the original, undisturbed packaging and are in fully resalable condition. Returns for full box quantities of fittings must be pre-approved in writing by Nupi Americas prior to returning. Freight cost for the return is not included and must be paid by the company requested the return.

ORDER ACCEPTANCE: No price list, literature, catalogue, website or other material describing our products is to be construed as an offer to sell same. Orders are subject to acceptance by us at our offices in Houston, TX. Your order, when shipped by us, shall be the complete contract between us, subject to, and incorporating therein, the terms and conditions, herein set forth, and any provisions or terms contained in the order submitted to us that are not consistent with our terms and conditions shall not be valid. Prices and discounts contained in any of our price lists or posted on our website are subject to change without notice.

LIMITED WARRANTY: Nupi Americas warrants that products sold by it which are included in its NIRON Piping System shall be of good materials and workmanship and free from functional defects for a period of thirty (30) years from the date of sale, excepting valves, gaskets and o-rings; products other than pipes and fittings shall be of good materials and workmanship and free from functional defects for a period of one (1) year from the date of sale; provided that such products are properly installed in accordance with the specifications and published instructions of Nupi Americas by qualified installers who have been trained and certified by Nupi Americas or its authorized representatives. These respective warranties shall become immediately null and void if the products to which they apply: (i) are employed in applications not recommended by Nupi Americas; (ii) are installed by anyone other than an installer trained by Nupi Americas or its authorized representatives; or (iii) are installed in a manner which fails to comply with written installation instructions of Nupi Americas.

In the event of a system malfunction or leak caused by defective Nupi Americas' warranted materials (and not by incorrect installation, incorrect handling procedures or by jobsite or installation damage), a reasonable amount will be allowed for repair materials and repair labor as long as the amount is pre-approved by Nupi Americas. In order to qualify for a warranty

remedy described in the previous sentence, you must contact Nupi Americas in advance and receive a written authorization for this remedy from an authorized Nupi Americas' representative. Repair materials, repair labor and freight expenses not authorized in writing in advance by Nupi Americas in this way will not be compensated. In the event of a leak occurring in a factory manifold, you may contact Nupi Americas for either a free replacement manifold or any parts that are reasonably needed to repair such a leak (freight prepaid). Note that Nupi Americas limits its warranty to its piping, valves and accessories, fittings and manifolds. Nupi Americas does not warrant the connection on any installation, as the integrity of the connection is subject to the workmanship of the contractor/installer. The connection is the sole responsibility of the company or person who installs it.

Evidence of tampering, mishandling, neglect, accidental damage, freeze damage or unauthorized repairs that cause damage to Nupi Americas' warranted products will void any warranty coverage for those particular products. All field connections are specifically excluded from the terms of this warranty.

Nupi Americas provides a complete plumbing system offering so that it is possible to complete an installation with Nupi Americas' products. However, it is possible that other manufacturers' piping and/or fittings may be installed in any given installation. Providing that the piping and/or fittings are manufactured to the same ASTM and CSA standards governing Niron's products, and have been certified by a recognized third-party testing agency, the NIRON product in the given installation will continue to be covered under this warranty. In the event of a system malfunction or leak that has other piping and/or fitting manufacturers' components installed within the failed system, Nupi Americas will be responsible only for proven defects in material or workmanship in the Nupi Americas products. Products manufactured by another company should be reported to that manufacturer for its warranty response.

These limited warranties are in lieu of all other warranties, express or implied, including, without limitation, those concerning merchantability or fitness for a particular purpose. These limited warranties are also in lieu of any other possible liabilities of Nupi Americas, whether alleged to have arisen by agreement or by operation of law, respecting the sale, installation, use or function of Nupi Americas' products, including, without limitation, claims of negligence, gross negligence, strict liability or any other tort.

LIMITATION OF LIABILITY: In no event shall Nupi Americas be liable for personal injury or damage to real or personal property attributed to its products, nor for any excavation, removal, downtime, cleanup, remediation, loss of use, loss of opportunity, loss of market value, loss of rental value, loss of profits, loss of production, or other special, incidental, resulting, consequential or exemplary damages.

No person is authorized by Nupi Americas to accept for it any other liability of any kind in connection with the sale or use of products sold and/or marketed by it.

All requests and notices under this Warranty shall be directed to: Nupi Americas, Attn: Customer Service 1511 Superior Way, Houston, TX 77039; Tel: 281-590-4471 • Fax: 281-590-5268

SHIPPING DATES – DELAYS – SHORTAGE CLAIMS: Promises of shipping dates are estimates, and as such, cannot be guaranteed. Nupi Americas will not be liable for any delay in a delivery. Any claims for shipping errors, shortages or defects must be made to Nupi Americas within 24 hours of receipt of the goods. Buyer shall be required to make timely payment to seller of any amount which is undisputed, or not subject to such claims.

TAXES: Any sales or manufacturers' taxes are to be paid by the buyer, including those imposed under any future statutes.



Nupi Americas, Inc.

1511 Superior Way,
Houston - TX 77039 - U.S.A.
ph. +1 281 590 4471
fax +1 281 590 5268
info@nupiamericas.com
www.nupiamericas.com