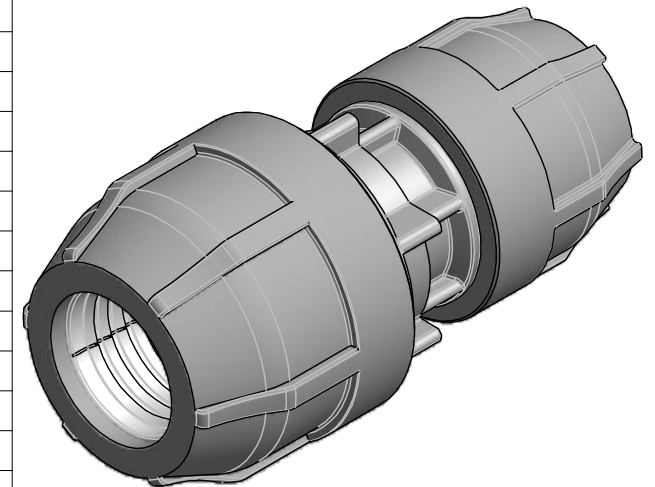


CODE	ND1	ND2	L1	L2	L	H
03NKR2520	3/4" => 25 mm	1/2" => 20 mm	2.15	2.07	4.37	2.09
03NKR3220	1" => 32 mm	1/2" => 20 mm	62,5	2.07	5.06	2.54
03NKR3225	1" => 32 mm	3/4" => 25 mm	62,5	2.15	5.08	2.54
03NKR4025	1" 1/4 => 40 mm	3/4" => 25 mm	3.15	2.15	5.71	3.29
03NKR4032	1" 1/4 => 40 mm	1" => 32 mm	3.15	2.46	5.71	3.29
03NKR5032	1" 1/2 => 50 mm	1" => 32 mm	3.54	2.46	6.42	3.78
03NKR5040	1" 1/2 => 50 mm	1" 1/4 => 40 mm	3.54	3.15	6.30	3.78
03NKR6332	2" => 63 mm	1" => 32 mm	4.33	2.46	7.36	4.45
03NKR6340	2" => 63 mm	1" 1/4 => 40 mm	4.33	3.15	8.03	4.45
03NKR6350	2" => 63 mm	1" 1/2 => 50 mm	4.33	3.54	8.98	4.45
03NKR7550	2" 1/2 => 75 mm	1" 1/2 => 50 mm	4.76	3.54	9.00	5.20
03NKR7563	2" 1/2 => 75 mm	2" => 63 mm	4.76	4.33	9.17	5.20
03NKR9063	3" => 90 mm	2" => 63 mm	5.67	4.33	10.02	5.98
03NKR9075	3" => 90 mm	2" 1/2 => 75 mm	5.67	4.76	11.44	5.98
03NKR11090	4" => 110 mm	3" => 90 mm	6.91	5.67	13.01	7.13



**NIRON**



ITEM: **NKR**

DESC: REDUCER - COMPRESSION FITTINGS



DRAWING No:  
**NI10215**

SHEET OF REV.  
**1 1 -1**

www.nupiamericas.com - info@nupiamericas.com

All dimensions have to be considered in inches with 5% tolerance if not otherwise mentioned excluding values as per standard ASTM F2389