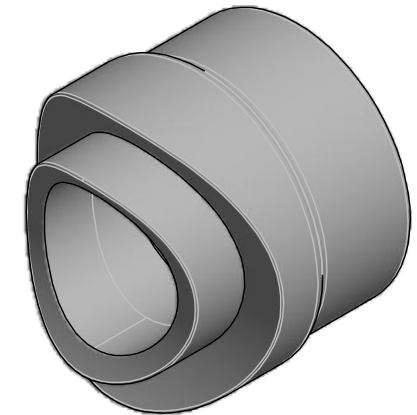
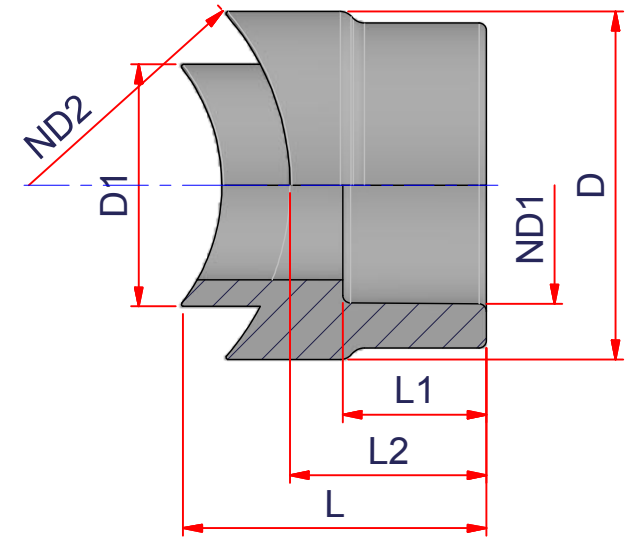


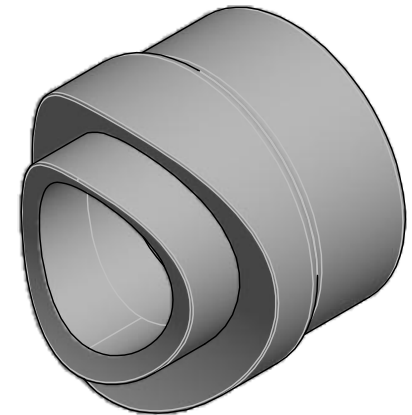
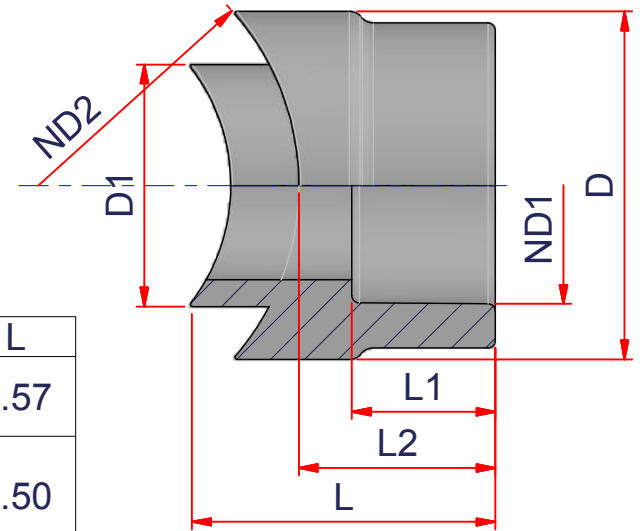


CODE	ND1	ND2	D1	D	L1	L2	L
27NGS2040	1/2" => 20 mm	1 1/4" => 40 mm	0.98	1.38	0.59	0.79	1.44
27NGS2050	1/2" => 20 mm	1 1/2" => 50 mm	0.98	1.38	0.59	0.79	1.28
27NGS206375	1/2" => 20 mm	2" => 63 mm 2 1/2" => 75 mm	0.98	1.38	0.59	0.79	1.20
27NGS2090110125	1/2" => 20 mm	3" => 90 mm 4" => 110 mm 5" => 125 mm	0.98	1.38	0.59	0.79	1.16
27NGS20160200	1/2" => 20 mm	6" => 160 mm 8" => 200 mm	0.98	1.38	0.59	0.79	1.12
27NGS20250315	1/2" => 20 mm	10" => 250 mm 12" => 315 mm	0.98	1.38	0.59	0.79	1.10
27NGS20355630	1/2" => 20 mm	14"-24" => 355-630 mm	0.98	1.38	0.59	0.79	1.10
27NGS2540	3/4" => 25 mm	1 1/4" => 40 mm	0.98	1.38	0.59	0.85	1.50
27NGS2550	3/4" => 25 mm	1 1/2" => 50 mm	0.98	1.38	0.59	0.85	1.33
27NGS256375	3/4" => 25 mm	2" => 63 mm 2 1/2" => 75 mm	0.98	1.38	0.65	0.85	1.26
27NGS2590110125	3/4" => 25 mm	3" => 90 mm 4" => 110 mm 5" => 125 mm	0.98	1.38	0.65	0.85	1.18
27NGS25160200	3/4" => 25 mm	6" => 160 mm 8" => 200 mm	0.98	1.38	0.65	0.85	1.18
27NGS25250315	3/4" => 25 mm	10" => 250 mm 12" => 315 mm	0.98	1.38	0.65	0.85	1.16
27NGS25355630	3/4" => 25 mm	14"-24" => 355-630 mm	0.98	1.38	0.65	0.85	1.16



	ITEM:	NGS	DESC: WELDING SADDLES W/SOCKET FUSION OUTLETS		DRAWING No:	
						NI10243
					SHEET OF	REV.
					1 3	-3
www.nupiamericas.com - info@nupiamericas.com			All dimensions have to be considered in inches with 5% tolerance if not otherwise mentioned excluding values as per standard ASTM F2389			



CODE	ND1	ND2	D1	D	L1	L2	L
27NGS326375	1 => 32 mm	2" => 63 mm 2 1/2" => 75 mm	1.26	1.81	0.75	1.02	1.57
27NGS3290110125	1 => 32 mm	3" => 90 mm 4" => 110 mm 5" => 125 mm	1.26	1.81	0.75	1.02	1.50
27NGS32160200	1 => 32 mm	6" => 160 mm 8" => 200 mm	1.26	1.81	0.75	1.02	1.44
27NGS32250315	1 => 32 mm	10" => 250 mm 12" => 315 mm	1.26	1.81	0.75	1.02	1.42
27NGS32355630	1 => 32 mm	14"-24" => 355-630 mm	1.26	1.81	0.75	1.02	1.42
27NGS4090	1 1/4 => 40 mm	3" => 90 mm	1.57	2.28	0.83	1.10	1.69
27NGS40110	1 1/4 => 40 mm	4" => 110 mm	1.57	2.28	0.83	1.10	1.63
27NGS40125	1 1/4 => 40 mm	5" => 125 mm	1.57	2.28	0.83	1.10	1.60
27NGS40160200	1 1/4 => 40 mm	6" => 160 mm 8" => 200 mm	1.57	2.28	0.83	1.10	1.54
27NGS40250315	1 1/4 => 40 mm	10" => 250 mm 12" => 315 mm	1.57	2.28	0.83	1.10	1.52
27NGS40355630	1 1/4 => 40 mm	14"-24" => 355-630 mm	1.57	2.28	0.83	1.10	1.52



ITEM: **NGS**

DESC: WELDING SADDLES W/SOCKET
FUSION OUTLETS

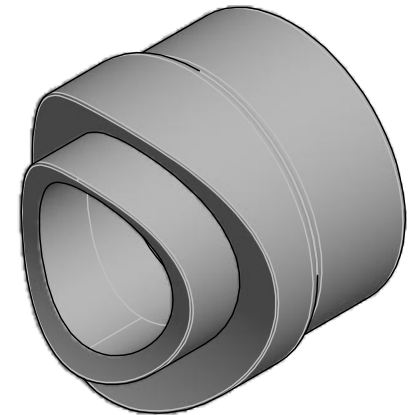
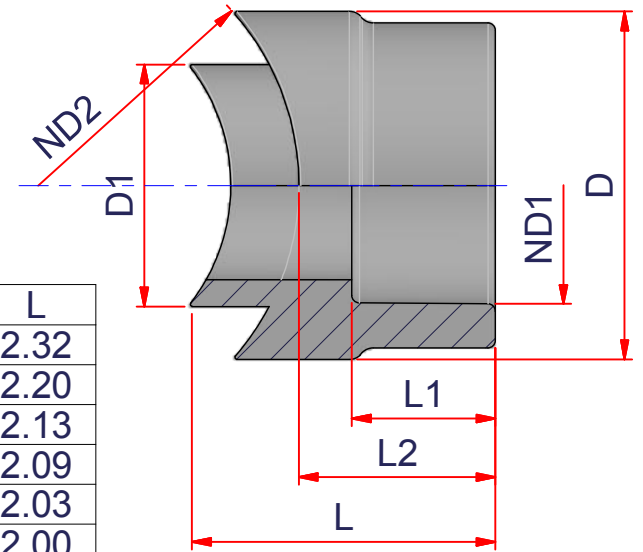


DRAWING No:
NI10243

SHEET OF	REV.
2 3	-3

www.nupiamericas.com - info@nupiamericas.com

All dimensions have to be considered in inches with 5% tolerance if not otherwise mentioned excluding values as per standard ASTM F2389



CODE	ND1	ND2	D1	D	L1	L2	L
27NGS5090	1 1/2" => 50 mm	3" => 90 mm	1.97	2.83	0.98	1.42	2.32
27NGS50110	1 1/2" => 50 mm	4" => 110 mm	1.97	2.83	0.98	1.42	2.20
27NGS50125	1 1/2" => 50 mm	5" => 125 mm	1.97	2.83	0.98	1.42	2.13
27NGS50160	1 1/2" => 50 mm	6" => 160 mm	1.97	2.83	0.98	1.42	2.09
27NGS50200	1 1/2" => 50 mm	8" => 200 mm	1.97	2.83	0.98	1.42	2.03
27NGS50250	1 1/2" => 50 mm	10" => 250 mm	1.97	2.83	0.98	1.42	2.00
27NGS50315	1 1/2" => 50 mm	12" => 315 mm	1.97	2.83	0.98	1.42	1.97
27NGS50355450	1 1/2" => 50 mm	14"-18" => 355-450 mm	1.97	2.83	0.98	1.42	1.97
27NGS50500630	1 1/2" => 50 mm	20"-24" => 500-630 mm	1.97	2.83	0.98	1.42	1.97
27NGS63110	2" => 63 mm	4" => 110 mm	2.48	3.54	1.14	1.57	2.56
27NGS63125	2" => 63 mm	5" => 125 mm	2.48	3.54	1.14	1.57	2.48
27NGS63160	2" => 63 mm	6" => 160 mm	2.48	3.54	1.14	1.57	2.34
27NGS63200	2" => 63 mm	8" => 200 mm	2.48	3.54	1.14	1.57	2.28
27NGS63250	2" => 63 mm	10" => 250 mm	2.48	3.54	1.14	1.57	2.20
27NGS63315	2" => 63 mm	12" => 315 mm	2.48	3.54	1.14	1.57	2.17
27NGS63355450	2" => 63 mm	14"-18" => 355-450 mm	2.48	3.54	1.14	1.57	2.15
27NGS63500630	2" => 63 mm	20"-24" => 500-630 mm	2.48	3.54	1.14	1.57	2.12



ITEM: **NGS**

DESC: WELDING SADDLES W/SOCKET
FUSION OUTLETS



DRAWING No:
NI10243

SHEET OF	REV.
3 3	-3

www.nupiamericas.com - info@nupiamericas.com

All dimensions have to be considered in inches with 5% tolerance if not otherwise mentioned excluding values as per standard ASTM F2389