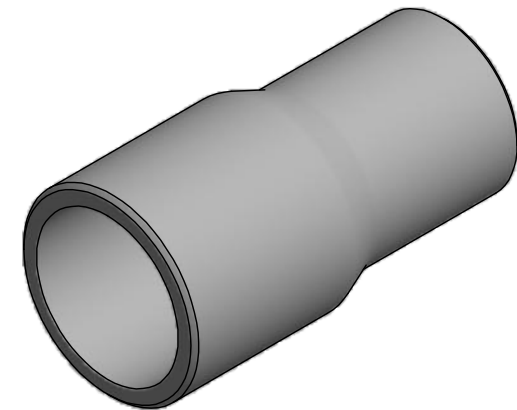


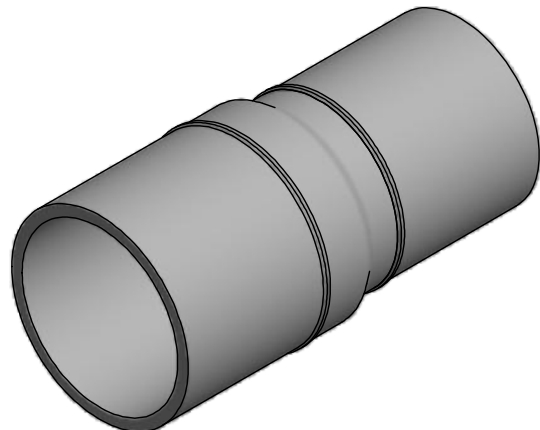
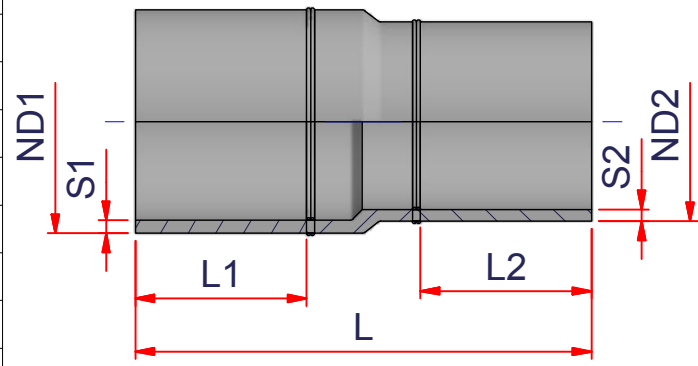


CODE	ND1	S1	ND2	S2	L1	L2	L
27NR634017MM	2" => 63 mm	0.15	1" 1/4 => 40 mm	0.09	2.56	2.05	5.20
27NR635017MM	2" => 63 mm	0.15	1" 1/2 => 50 mm	0.12	2.56	2.20	5.20
27NR754017MM	2" 1/2 => 75 mm	0.18	1" 1/4 => 40 mm	0.09	2.56	1.89	5.63
27NR755017MM	2" 1/2 => 75 mm	0.18	1" 1/2 => 50 mm	0.12	2.56	1.89	5.55
27NR756317MM	2" 1/2 => 75 mm	0.18	2" => 63 mm	0.15	2.80	2.52	5.90
27NR905017MM	3" => 90 mm	0.21	1" 1/2 => 50 mm	0.12	2.87	2.24	5.98
27NR906317MM	3" => 90 mm	0.21	2" => 63 mm	0.15	2.80	2.24	5.90
27NR907517MM	3" => 90 mm	0.21	2" 1/2 => 75 mm	0.18	3.19	2.84	6.89
27NR1106317MM	4" => 110 mm	0.26	2" => 63 mm	0.15	3.35	2.76	6.89
27NR1107517MM	4" => 110 mm	0.26	2" 1/2 => 75 mm	0.18	3.47	2.28	7.28
27NR1109017MM	4" => 110 mm	0.26	3" => 90 mm	0.21	3.07	2.76	6.89
27NR1257517MM	5" => 125 mm	0.29	2" 1/2 => 75 mm	0.18	3.62	2.36	7.84
27NR1259017MM	5" => 125 mm	0.29	3" => 90 mm	0.21	3.39	2.76	7.32
27NR12511017MM	5" => 125 mm	0.29	4" => 110 mm	0.26	3.50	3.03	7.36
27NR1609017MM	6" => 160 mm	0.37	3" => 90 mm	0.21	4.21	3.54	9.05
27NR16011017MM	6" => 160 mm	0.37	4" => 110 mm	0.26	4.06	3.46	8.46
27NR16012517MM	6" => 160 mm	0.37	5" => 125 mm	0.29	4.02	3.58	8.43
27NR20016017MM	8" => 200 mm	0.47	6" => 160 mm	0.37	4.65	3.98	9.45



	ITEM: NR_17MM	DESC: MALE CONCENTRIC REDUCER - LONG SPIGOT SDR17		DRAWING No: NI10249	
	<small>C:\Vault_Temp\Disegn\ISchede Tecniche\Niron Grey inches\Butt Fusion Fittings\NI10249.dwg</small>				SHEET OF 1 2
www.nupiamericas.com - info@nupiamericas.com		All dimensions have to be considered in inches with 5% tolerance if not otherwise mentioned excluding values as per standard ASTM F2389			

CODE	ND1	S1	ND2	S2	L1	L2	L
27NR25016017MMB	10"=>250 mm	0.58	6"=>160 mm	0.37	8.35	6.89	18.39
27NR25020017MMB	10"=>250 mm	0.58	8"=>200 mm	0.47	8.35	7.28	18.78
27NR31516017MMB	12"=>315 mm	0.74	6"=>160 mm	0.37	12.59	6.89	22.63
27NR31520017MMB	12"=>315 mm	0.74	8"=>200 mm	0.47	12.59	7.28	23.02
27NR31525017MMB	12"=>315 mm	0.74	10"=>250 mm	0.58	12.59	8.35	24.09
27NR35520017MMB	14"=>355 mm	0.83	8"=>200 mm	0.47	12.59	7.28	23.02
27NR35525017MMB	14"=>355 mm	0.83	10"=>250 mm	0.58	12.59	8.35	24.09
27NR35531517MMB	14"=>355 mm	0.83	12"=>315 mm	0.74	12.59	12.59	28.33
27NR40025017MMB	16"=>400 mm	0.93	10"=>250 mm	0.58	12.59	8.35	24.09
27NR40031517MMB	16"=>400 mm	0.93	12"=>315 mm	0.74	12.59	12.59	28.33
27NR40035517MMB	16"=>400 mm	0.93	14"=>355 mm	0.83	12.59	12.59	28.33
27NR45031517MMB	18"=>450 mm	1.05	12"=>315 mm	0.74	13.39	12.59	29.92
27NR45035517MMB	18"=>450 mm	1.05	14"=>355 mm	0.83	13.39	12.59	29.92
27NR45040017MMB	18"=>450 mm	1.05	16"=>400 mm	0.93	13.39	12.59	29.92
27NR50035517MMB	20"=>500 mm	1.17	14"=>355 mm	0.83	14.96	12.59	31.49
27NR50040017MMB	20"=>500 mm	1.17	16"=>400 mm	0.93	14.96	12.59	31.49
27NR50045017MMB	20"=>500 mm	1.17	18"=>450 mm	1.05	14.96	13.39	32.29
27NR56040017MMB	22"=>560 mm	1.31	16"=>400 mm	0.93	15.75	12.59	32.28
27NR56045017MMB	22"=>560 mm	1.31	18"=>450 mm	1.05	15.75	13.39	33.08
27NR56050017MMB	22"=>560 mm	1.31	20"=>500 mm	1.17	15.75	14.96	34.65
27NR63045017MMB	24"=>630 mm	1.47	22"=>560 mm	1.31	17.32	13.39	35.43
27NR63050017MMB	24"=>630 mm	1.47	20"=>500 mm	1.17	17.32	14.96	37.00
27NR63056017MMB	24"=>630 mm	1.47	22"=>560 mm	1.31	17.32	15.75	37.79




NIRON

 AMERICAS
 www.nupiamericas.com - info@nupiamericas.com

ITEM: **NR_17MMB**
 C:\Vault_Temp\Disegn\ISchede Tecniche\Niron Grey inches\Butt Fusion Fittings\NI10249.dwg

DESC: MALE CONCENTRIC REDUCER - LONG SPIGOT SDR17

 DRAWING No: **NI10249**
 SHEET OF **2 2** REV. **-3**

All dimensions have to be considered in inches with 5% tolerance if not otherwise mentioned excluding values as per standard ASTM F2389