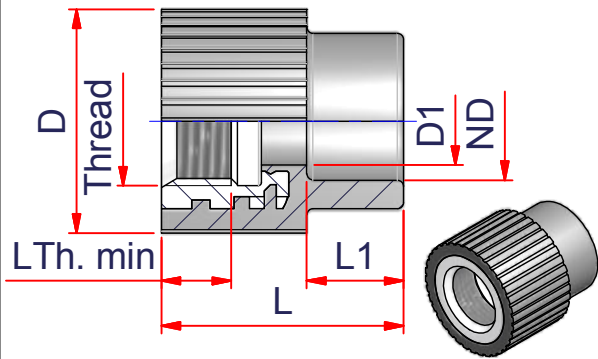
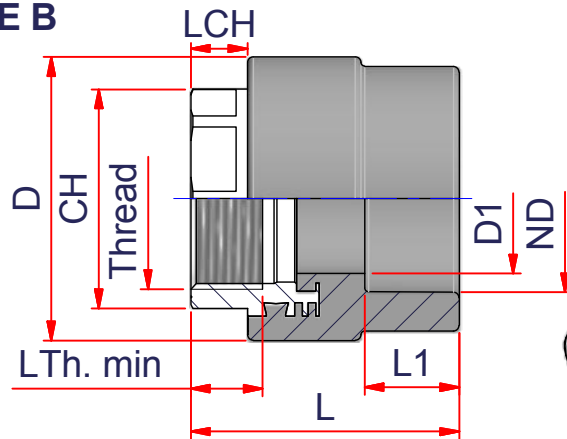


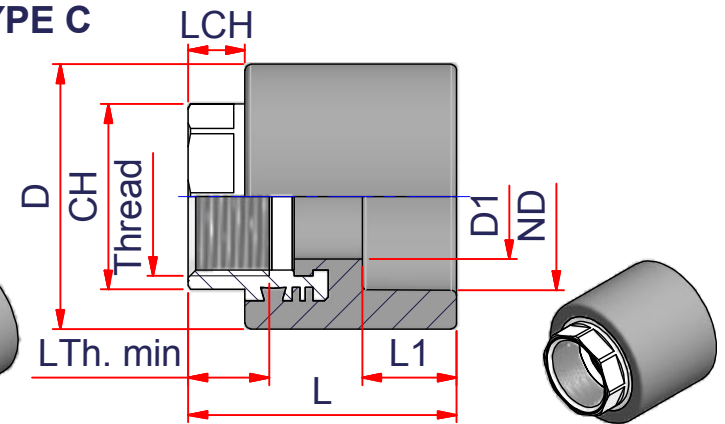
TYPE A



TYPE B



TYPE C



CODE	ND	Thread	L Thread min	D1	D	L1	L	CH	LCH
27NRFF2012SSNPT (A)	1/2" => 20 mm	1/2" NPT	0.53	0.56	1.46	0.63	1.58	-	-
27NRFF2034SSNPT (A)	1/2" => 20 mm	3/4" NPT	0.55	0.71	1.69	0.81	1.81	-	-
27NRFF2512SSNPT (A)	3/4" => 25 mm	1/2" NPT	0.53	0.56	1.46	0.67	1.61	-	-
27NRFF2534SSNPT (A)	3/4" => 25 mm	3/4" NPT	0.55	0.71	1.65	0.71	1.81	-	-
27NRFF3234SSNPT (A)	1" => 32 mm	3/4" NPT	0.55	0.71	1.79	0.85	2.03	-	-
27NRFF321SSNPT (A)	1" => 32 mm	1" NPT	0.66	0.95	2.13	0.79	2.05	-	-
27NRFF401SSNPT (C)	1" 1/4 => 40 mm	1" NPT	0.66	0.95	2.20	0.87	2.64	1.50	0.59
27NRFF40114SSNPT (B)	1" 1/4 => 40 mm	1"1/4 NPT	0.68	1.30	2.56	0.87	2.72	1.81	0.59
27NRFF50114SSNPT (C)	1" 1/2 => 50 mm	1"1/4 NPT	0.68	1.30	2.76	0.98	2.80	1.81	0.59
27NRFF50112SSNPT (B)	1" 1/2 => 50 mm	1"1/2 NPT	0.68	1.56	2.95	0.98	2.84	2.17	0.59
27NRFF63112SSNPT (C)	2" => 63 mm	1"1/2 NPT	0.68	1.56	3.47	1.14	2.95	2.17	0.59
27NRFF632SSNPT (B)	2" => 63 mm	2" NPT	0.70	1.97	3.62	1.14	3.15	2.56	0.79
27NRFF752SSNPT (C)	2" 1/2 =>75 mm	2" NPT	0.70	1.97	4.06	1.30	3.31	2.56	0.79
27NRFF75212SSNPT (B)	2" 1/2 =>75 mm	2"1/2 NPT	0.93	2.50	4.33	1.30	3.50	3.15	0.79
27NRFF903SSNPT (B)	3" => 90 mm	3" NPT	1.02	2.95	5.08	1.46	3.90	3.74	0.91
27NRFF1104SSNPT (B)	4" => 110 mm	4" NPT	1.09	3.92	6.30	1.69	4.37	4.72	1.18
27NRFF1254SSNPT (C)	5" => 125 mm	4" NPT	1.09	3.92	6.30	1.87	4.55	4.72	1.18



ITEM:
NRFF_SSNPT

C:\Vault_Temp\Disegn\ISchede Tecniche\Niron Grey inches\Socket Fusion Fittings\NI10184.dwg

DESC: FEMALE THREADED ADAPTER W/NPT
STAINLESS STEEL - SOCKET FUSION



DRAWING No:
NI10184

SHEET OF
1 1 REV.
0

www.nupiamericas.com - info@nupiamericas.com

All dimensions have to be considered in inches with 5% tolerance if not otherwise mentioned excluding values as per standard ASTM F2389