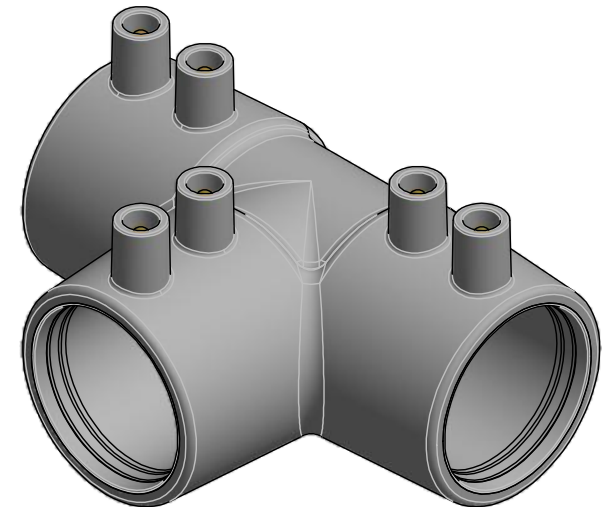


CODE	ND1	ND2	L1	L3	L	H1	H
27NTE090	3" => 90 mm	3" => 90 mm	2.66	5.28	4.72	4,72	7.17



NIRON



ITEM: **NTE**

DESC: ELECTROFUSION TEE
SDR 11



DRAWING No:
NI10163

SHEET OF	REV.
1 1	-2

www.nupiamericas.com - info@nupiamericas.com

All dimensions have to be considered in inches with 5% tolerance if not otherwise mentioned excluding values as per standard ASTM F2389