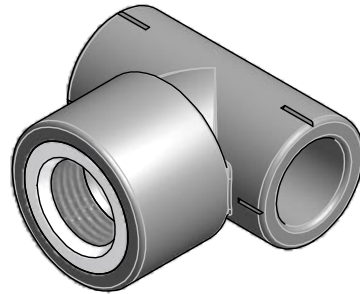
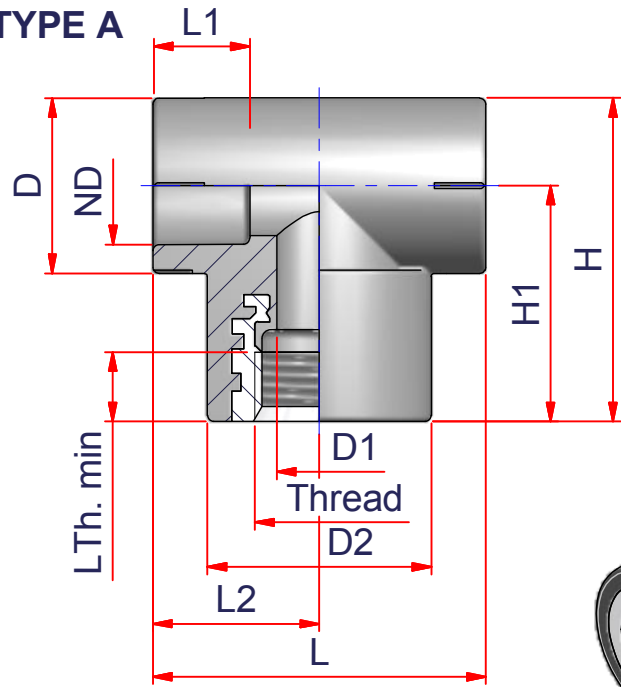
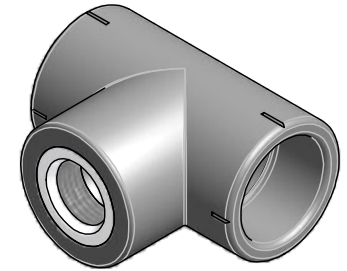
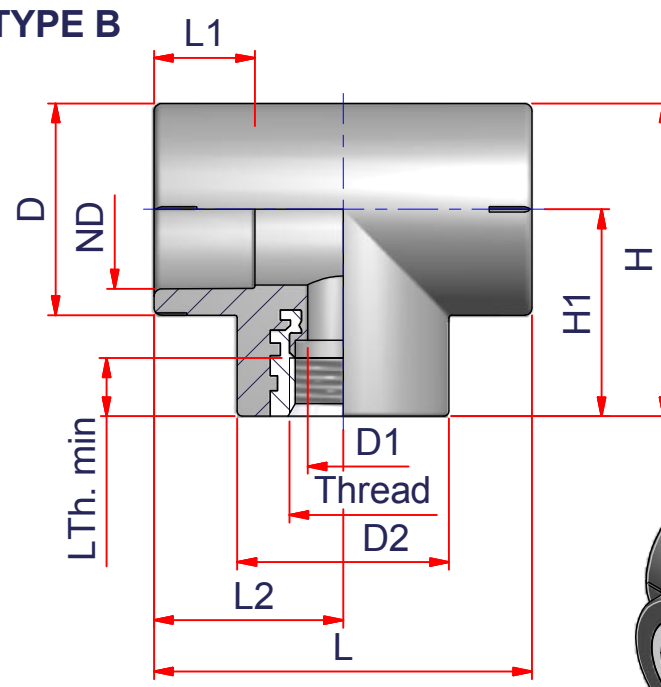


TYPE A



TYPE B



CODE	ND	D1	D2	D	Thread	L Thread min	L1	L2	L	H1	H
27NTF2012SSNPT (A)	1/2" => 20 mm	0.56	1.46	1.14	1/2" NPT	0.53	0.63	1.08	2.17	1.54	2.11
27NTF2512SSNPT (A)	3/4" => 25 mm	0.56	1.46	1.38	1/2" NPT	0.53	0.67	1.20	2.40	1.54	2.22
27NTF2534SSNPT (A)	3/4" => 25 mm	0.73	1.65	1.38	3/4" NPT	0.55	0.67	1.20	2.40	1.54	2.22
27NTF3212SSNPT (B)	1" => 32 mm	0.56	1.65	1.65	1/2" NPT	0.53	0.79	1.48	2.95	1.61	2.44
27NTF3234SSNPT (B)	1" => 32 mm	0.73	1.65	1.65	3/4" NPT	0.55	0.79	1.48	2.95	1.61	2.44
27NTF321SSNPT (B)	1" => 32 mm	0.95	2.13	1.65	1" NPT	0.66	0.79	1.85	3.74	1.54	2.60



ITEM:
NTF_SSNPT

C:\Vault_Temp\Disegn\ISchede Tecniche\Niron Grey inches\Socket Fusion Fittings\NI10192.dwg

DESC: FEMALE THREADED TEE W/NPT
STAINLESS STEEL - SOCKET FUSION



DRAWING No:
NI10192

SHEET OF	REV.
1 1	0

www.nupiamericas.com - info@nupiamericas.com

All dimensions have to be considered in inches with 5% tolerance if not otherwise mentioned excluding values as per standard ASTM F2389