

CODE	ND1	ND2	ND3	D1	D2	D3	D4	D	L1	L2	L3	L	H1	H
27NTR252025	3/4"=> 25 mm	3/4"=> 25 mm	1/2"=> 20 mm	0.83	0.83	0.65	1.14	1.38	0.67	0.67	0.63	2.44	1.18	1.87
27NTR253225	3/4"=> 25 mm	3/4"=> 25 mm	1"=> 32 mm	0.83	0.83	0.83	1.81	1.81	0.67	0.67	0.79	2.91	1.49	2.40
27NTR322032	1"=> 32 mm	1"=> 32 mm	1/2"=> 20 mm	1.18	1.18	0.65	1.14	1.81	0.79	0.79	0.63	2.95	1.38	2.28
27NTR322532	1"=> 32 mm	1"=> 32 mm	3/4"=> 25 mm	1.18	1.18	0.83	1.38	1.81	0.79	0.79	0.67	2.95	1.38	2.28
27NTR402040	1"1/4"=>40 mm	1"1/4"=>40 mm	1/2"=> 20 mm	1.42	1.42	0.65	1.30	2.09	0.95	0.95	0.63	2.91	1.54	2.60
27NTR402540	1"1/4"=>40 mm	1"1/4"=>40 mm	3/4"=> 25 mm	1.42	1.42	0.83	1.30	2.09	0.95	0.95	0.79	2.91	1.54	2.60
27NTR403240	1"1/4"=>40 mm	1"1/4"=>40 mm	1"=> 32 mm	1.38	1.38	1.18	2.13	2.13	0.87	0.87	0.79	3.43	1.69	2.76
27NTR502050	1"1/2"=>50 mm	1"1/2"=>50 mm	1/2"=> 20 mm	1.85	1.85	0.65	1.69	2.60	1.02	1.02	0.63	3.43	1.85	3.15
27NTR502550	1"1/2"=>50 mm	1"1/2"=>50 mm	3/4"=> 25 mm	1.85	1.85	0.83	1.69	2.60	1.02	1.02	0.79	3.43	1.85	3.15
27NTR503250	1"1/2"=>50 mm	1"1/2"=>50 mm	1"=> 32 mm	1.85	1.85	1.18	1.69	2.60	1.02	1.02	0.79	3.43	1.85	3.15
27NTR504050	1"1/2"=>50 mm	1"1/2"=>50 mm	1"1/4"=>40 mm	1.69	1.69	1.42	2.60	2.60	0.91	0.91	0.87	4.02	1.97	3.27
27NTR632563	2" => 63 mm	2" => 63 mm	3/4"=> 25 mm	2.36	2.36	0.83	2.09	3.27	1.18	1.18	0.69	4.02	2.13	3.78
27NTR633263	2" => 63 mm	2" => 63 mm	1"=> 32 mm	2.36	2.36	1.18	2.09	3.27	1.18	1.18	0.83	4.02	2.13	3.78
27NTR634063	2" => 63 mm	2" => 63 mm	1"1/4"=>40 mm	2.36	2.36	1.42	2.09	3.27	1.18	1.18	0.91	4.02	2.13	3.78
27NTR635063	2" => 63 mm	2" => 63 mm	1"1/2"=>50 mm	1.97	1.97	1.81	3.15	3.15	0.98	0.98	1.02	4.80	2.52	4.09
27NTR635040	2" => 63 mm	1"1/4"=>40 mm	1"1/2"=>50 mm	1.97	1.69	1.81	3.15	3.15	0.98	0.87	0.91	6.90	2.52	4.09



ITEM: **NTR**

DESC: REDUCED TEE - SOCKET FUSION

C:\Vault_Temp\Disegn\ISchede Tecniche\Niron Grey inches\Socket Fusion Fittings\NI10139.dwg

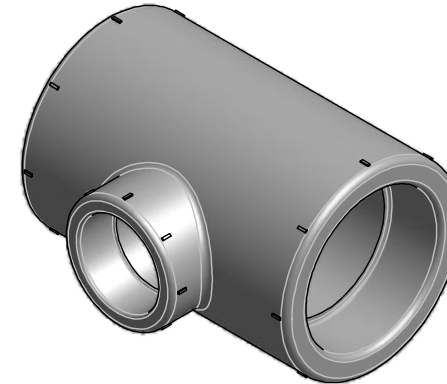
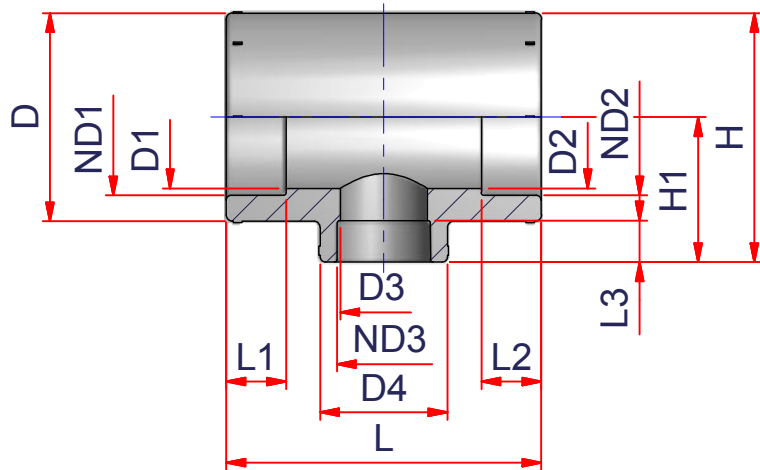


DRAWING No:
NI10139

SHEET OF	REV.
1 6	-2

www.nupiamericas.com - info@nupiamericas.com

All dimensions have to be considered in inches with 5% tolerance if not otherwise mentioned excluding values as per standard ASTM F2389



CODE	ND1	ND2	ND3	D1	D2	D3	D4	D	L1	L2	L3	L	H1	H
27NTR753275	2"1/2=>75 mm	2"1/2=>75 mm	1" => 32 mm	2.36	2.36	0.87	1.69	3.86	1.18	1.18	0.71	5.47	2.64	4.57
27NTR754075	2"1/2=>75 mm	2"1/2=>75 mm	1"1/4 =>40 mm	2.36	2.36	1.42	2.56	3.86	1.18	1.18	0.91	5.47	2.72	4.65
27NTR755075	2"1/2=>75 mm	2"1/2=>75 mm	1"1/2 =>50 mm	2.76	2.76	1.81	2.76	3.98	1.30	1.30	0.98	5.75	2.87	4.86
27NTR756375	2"1/2=>75 mm	2"1/2=>75 mm	2" => 63 mm	2.76	2.76	2.32	3.39	3.98	1.30	1.30	1.14	5.75	2.87	4.86
27NTR906390	3" => 90 mm	3" => 90 mm	2" => 63 mm	3.07	3.07	1.97	3.35	4.72	1.30	1.30	1.06	6.30	2.87	5.24
27NTR907590	3" => 90 mm	3" => 90 mm	2"1/2=>75 mm	3.43	3.43	2.80	4.49	4.49	1.46	1.46	1.30	6.57	3.29	5.51
27NTR11063110	4"=>110 mm	4"=>110 mm	2" => 63 mm	3.94	3.94	2.32	3.39	5.75	1.69	1.69	1.30	7.87	3.94	6.81
27NTR11075110	4"=>110 mm	4"=>110 mm	2"1/2=>75 mm	3.94	3.94	2.72	3.98	5.75	1.69	1.69	1.30	7.87	3.94	6.81
27NTR11090110	4"=>110 mm	4"=>110 mm	3" => 90 mm	3.94	3.94	3.35	4.80	5.75	1.69	1.69	1.46	7.87	3.94	6.81
27NTR12563125	5" => 125 mm	5" => 125 mm	2" => 63 mm	4.45	4.45	2.32	3.39	6.50	1.87	1.87	1.30	9.84	6.06	9.31
27NTR12575125	5" => 125 mm	5" => 125 mm	2"1/2=>75 mm	4.45	4.45	2.72	3.98	6.50	1.87	1.87	1.30	9.84	4.53	7.76
27NTR12590125	5" => 125 mm	5" => 125 mm	3" => 90 mm	4.45	4.45	3.35	4.80	6.50	1.87	1.87	1.46	9.84	4.53	7.76
27NTR125110125	5" => 125 mm	5" => 125 mm	4" =>110 mm	4.45	4.45	3.94	5.75	6.50	1.87	1.87	1.69	9.84	4.72	7.97



ITEM: **NTR**

DESC: REDUCED TEE - SOCKET FUSION

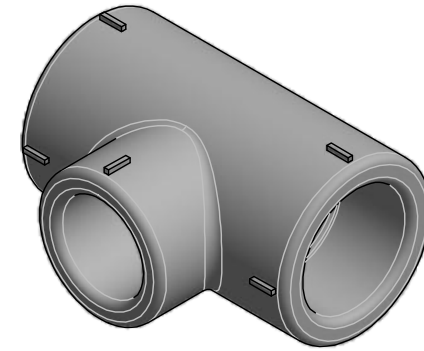
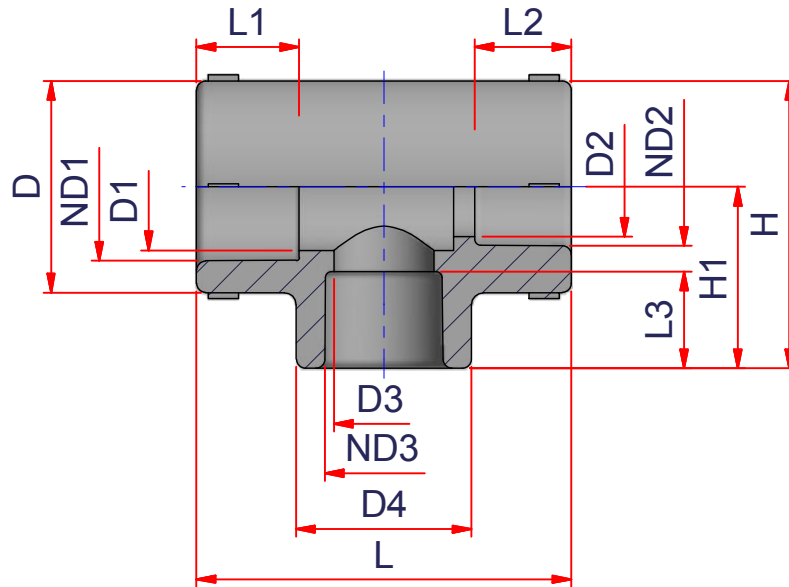


DRAWING No:
NI10139

SHEET OF 2 6 REV. -2

www.nupiamericas.com - info@nupiamericas.com

All dimensions have to be considered in inches with 5% tolerance if not otherwise mentioned excluding values as per standard ASTM F2389



CODE	ND1	ND2	ND3	D1	D2	D3	D4	D	L1	L2	L3	L	H1	H
27NTR252020	3/4" => 25 mm	1/2" => 20 mm	1/2" => 20 mm	0.83	0.65	0.65	1.14	1.38	0.67	0.63	0.63	2.44	1.18	1.87
27NTR322525	1" => 32 mm	3/4" => 25 mm	3/4" => 25 mm	1.18	0.83	0.83	1.38	1.81	0.79	0.67	0.67	2.95	1.38	2.28

NIRON



ITEM: **NTR**

DESC: REDUCED TEE - SOCKET FUSION



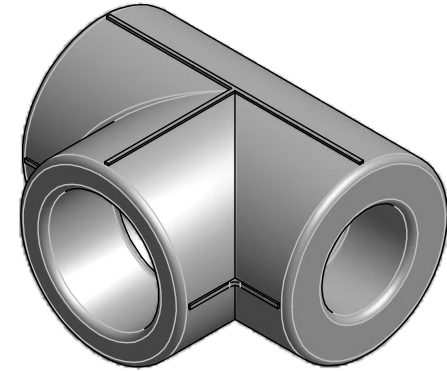
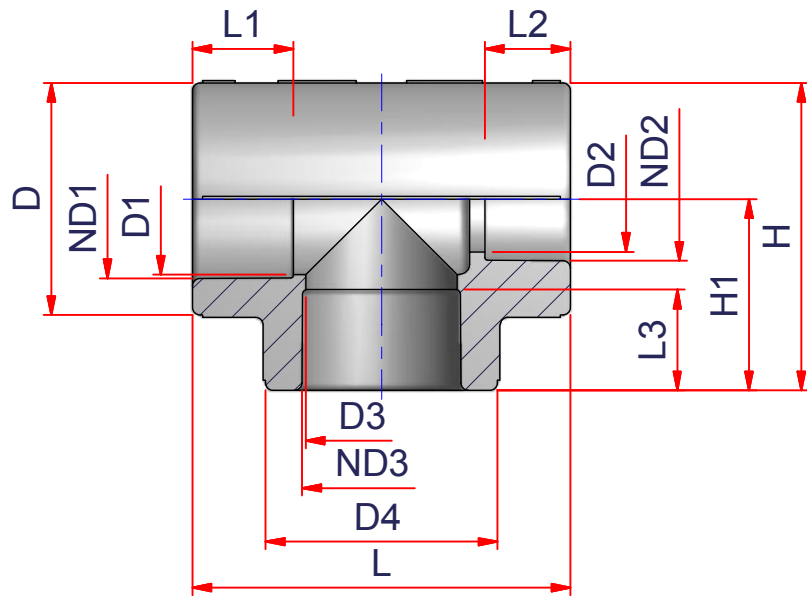
DRAWING No:
NI10139

SHEET OF
3 6

REV.
-2

www.nupiamericas.com - info@nupiamericas.com

All dimensions have to be considered in inches with 5% tolerance if not otherwise mentioned excluding values as per standard ASTM F2389



CODE	ND1	ND2	ND3	D1	D2	D3	D4	D	L1	L2	L3	L	H1	H
27NTR252520	3/4" => 25 mm	1/2" => 20 mm	3/4" => 25 mm	0.83	0.65	0.83	1.38	1.38	0.67	0.63	0.67	2.44	1.18	1.87
27NTR323225	1" => 32 mm	3/4" => 25 mm	1" => 32 mm	1.18	0.83	1.18	1.81	1.81	0.79	0.67	0.79	2.95	1.50	2.40

NIRON



ITEM: **NTR**

DESC: REDUCED TEE - SOCKET FUSION



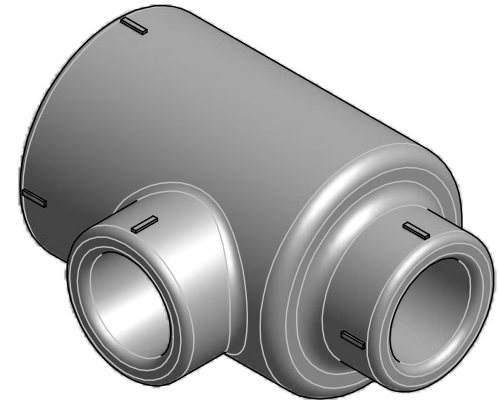
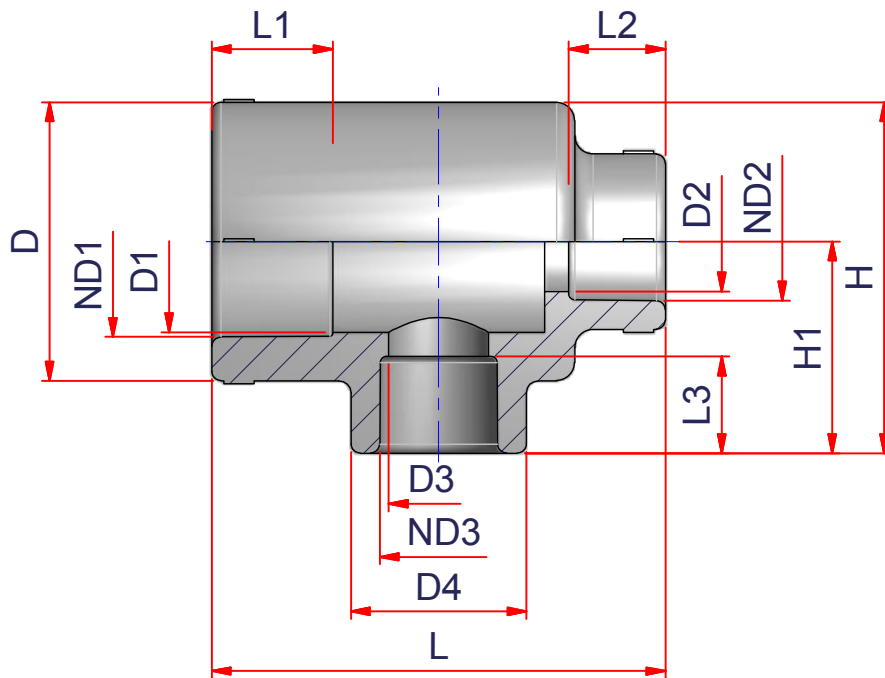
DRAWING No:
NI10139

SHEET OF
4 6

REV.
-2

www.nupiamericas.com - info@nupiamericas.com

All dimensions have to be considered in inches with 5% tolerance if not otherwise mentioned excluding values as per standard ASTM F2389



CODE	ND1	ND2	ND3	D1	D2	D3	D4	D	L1	L2	L3	L	H1	H
27NTR322020	1" => 32 mm	1/2" => 20 mm	1/2" => 20 mm	1.18	0.65	0.65	1.14	1.81	0.79	0.63	0.63	2.95	1.38	2.28

NIRON



ITEM: **NTR**

DESC: REDUCED TEE - SOCKET FUSION



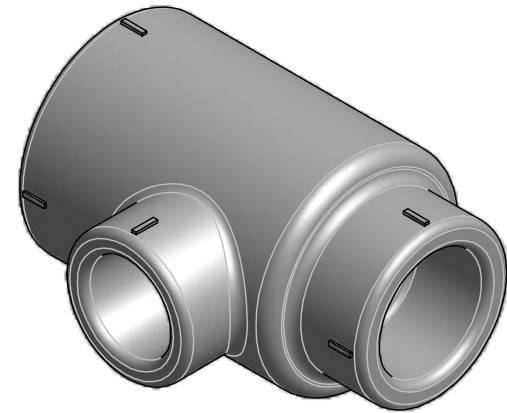
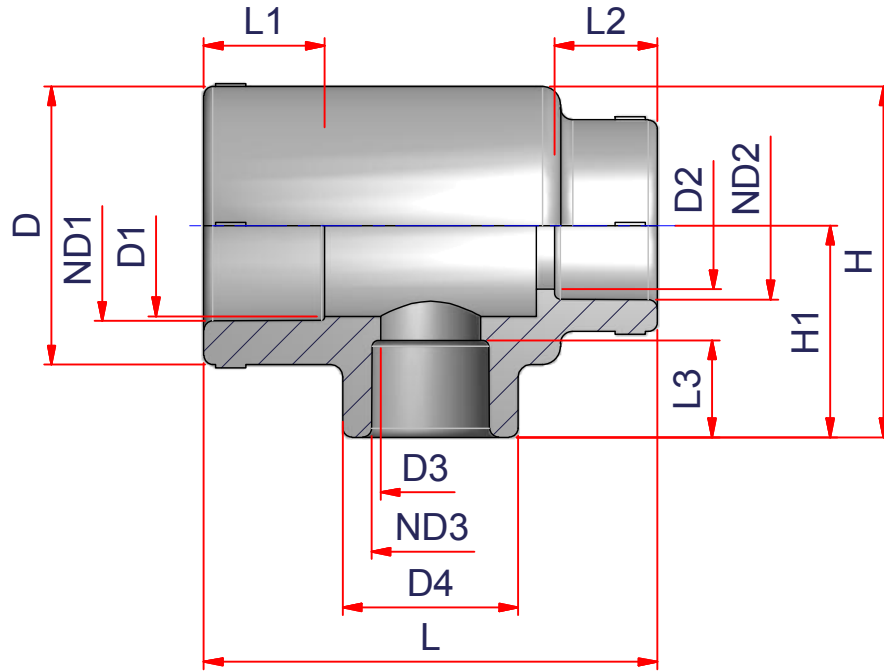
DRAWING No:
NI10139

SHEET OF
5 6

REV.
-2

www.nupiamericas.com - info@nupiamericas.com

All dimensions have to be considered in inches with 5% tolerance if not otherwise mentioned excluding values as per standard ASTM F2389



CODE	ND1	ND2	ND3	D1	D2	D3	D4	D	L1	L2	L3	L	H1	H
27NTR322025	1" => 32 mm	3/4" => 25 mm	1/2" => 20 mm	1.18	0.83	0.65	1.14	1.81	0.79	0.67	0.63	2.95	1.38	2.28

NIRON



ITEM: **NTR**

DESC: REDUCED TEE - SOCKET FUSION

C:\Vault_Temp\Disegn\ISchede Tecniche\Niron Grey inches\Socket Fusion Fittings\NI10139.dwg



DRAWING No:
NI10139

SHEET OF	REV.
6 6	-2

www.nupiamericas.com - info@nupiamericas.com

All dimensions have to be considered in inches with 5% tolerance if not otherwise mentioned excluding values as per standard ASTM F2389