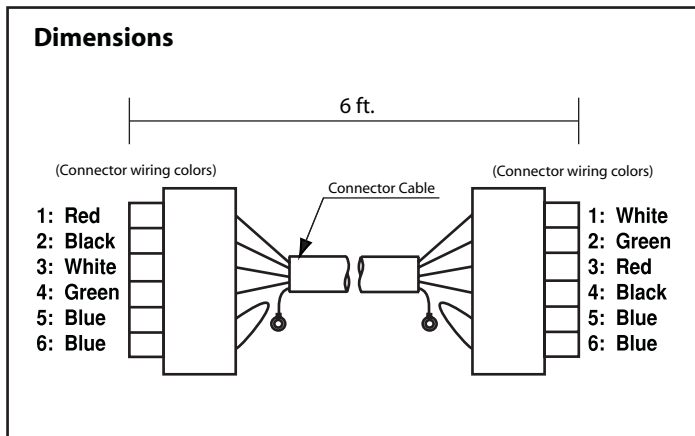


# Tankless Water Heater Accessories

## Specification Sheet

### Quick Connect Cord

- Connects two identical water heater models together in order to get twice the output of hot water
- Provides a communication link and rotates the operation between the two units evenly
- Simple installation, just attach the cord to the proper connectors inside each water heater
- Compatible with larger Residential models and ALL Commercial models (see *Compatibility Chart* below)



#### Quick Connect Cord

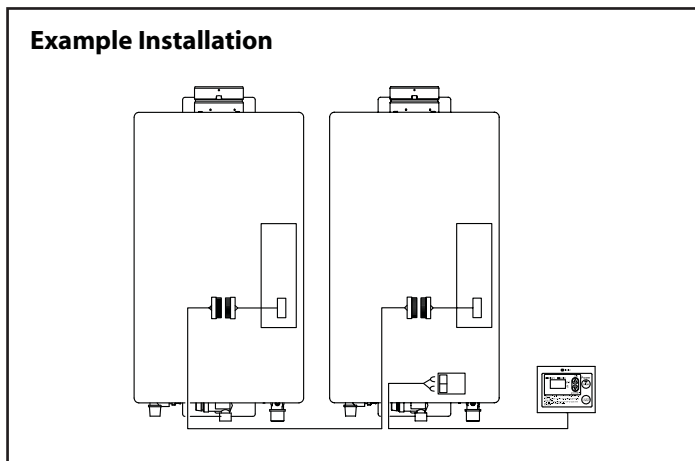
- Quick Connect Cord (#**QC-1**)
- Quick Connect Cord (#**QC-2**)

#### Models Compatible with QC-1

- NR98 Series
- NC199 Series
- NCC199 Series
- NRC111 Series
- NR111 Series
- NC250 Series
- NC380 Series

#### Models Compatible with QC-2

- NRC83 Series
- NRC98 Series
- NR50 Series
- NR83 Series
- NR981 Series
- NRC1111 Series
- NC1991 Series
- NCC1991 Series

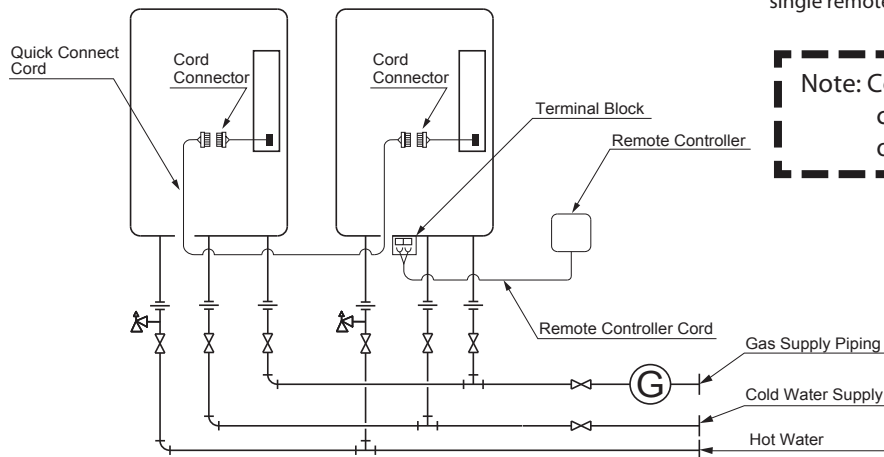


# Quick Connect Multi System Installation

- The Quick Connect Multi System allows the installation of two units together utilizing only the Quick Connect Cord.

The Quick Connect Cord is 6 ft. long. Install the units 2-18" apart from each other to ensure the cord will be able to reach between the units. (See Typical Plumbing diagram).  
 (If the distance between the two units is too great, not only will the cord not be able to reach, but the water temperature may also become unstable because of the difference in pipe length between the two units).

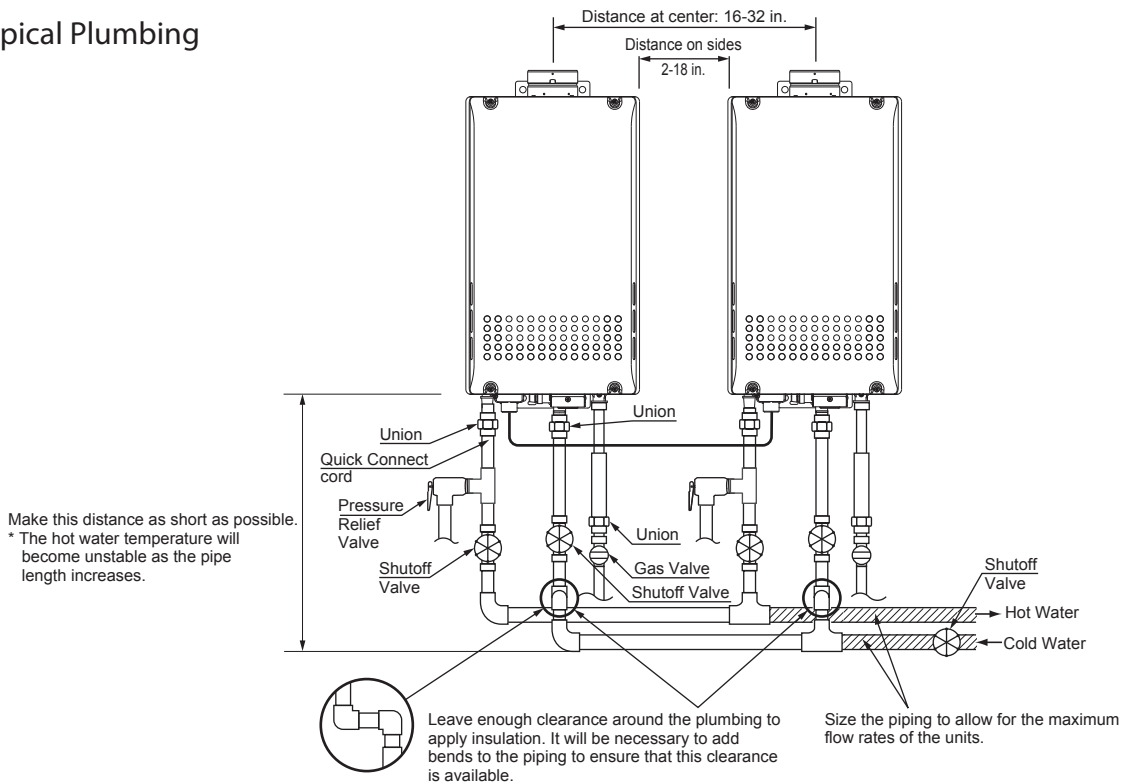
## System Diagram



\* When connecting two units, use only a single remote controller.

Note: Connect the remote controller to only one of the units.

## Typical Plumbing



- Insulate the hot water piping to prevent heat loss. Insulate and apply heating materials to the cold water supply piping to prevent heat loss and freezing of pipes when exposed to excessively cold temperatures.

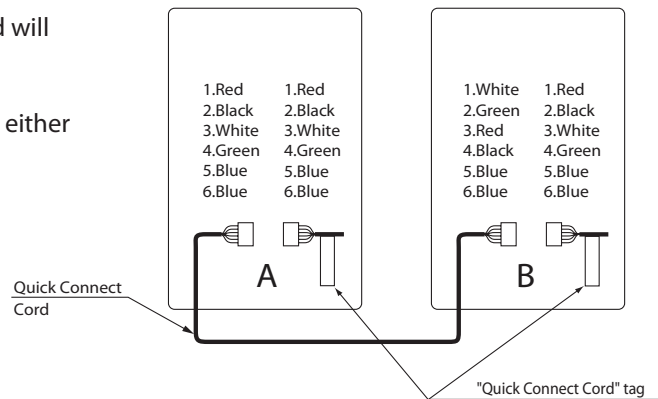
## Connecting Quick Connect Cord

For Quick Connect Multi System Installation  
use a Quick Connect Cord (sold separately).

### Caution

The wire coloring on the Quick Connect Cord will not be the same as the wire coloring of the connection plug inside the unit.

\* The remote controller can be connected to either unit A or B.



Connecting the Quick Connect Cord to the two units.

1. Turn off the power.
2. Remove the front cover of the heater (4 screws).
3. Pass the Quick Connect Cord through the wiring throughway and into the unit.
4. Plug the connector on the Quick Connect Cord to the receptacle inside the unit.
5. Attach the ground wire of the Quick Connect Cord to the terminal block fixing plate. (If the ground wire is not attached, electrical noise may cause problems).
6. Secure the Quick Connect Cord with a clamp.
7. Replace the front cover.

