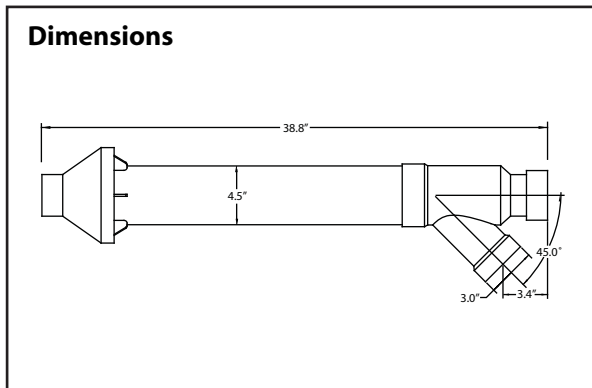


Tankless Water Heater Accessories Specification Sheet **3" PVC Concentric Vent**

- Made of PVC for use with our condensing, high-efficiency NRC98-DV, NCC199-DV, and NRC111-DV models only
- Compatible with Schedule 40 PVC/CPVC pipe and has two 3" connections for both intake and exhaust
- Concentric design allows for both intake and exhaust vents to be installed with a single wall penetration
- ULC-S636 approved for use in Canada



PVC Concentric Vent Kit

PVC Concentric Vent (#VK3-H-PVC)

Compatible High-Efficiency Models

NRC98-DV
NCC199-DV
NRC111-DV

