

## Tyler Pipe 2008 Soil Catalog

Click on **BOOKMARKS** to view or print catalog by sections.



**PC-2081**

# **Tyler CI Soil Pipe**

**Twenty Ninth Edition, August 2008**



**[www.tylerpipe.com](http://www.tylerpipe.com)**



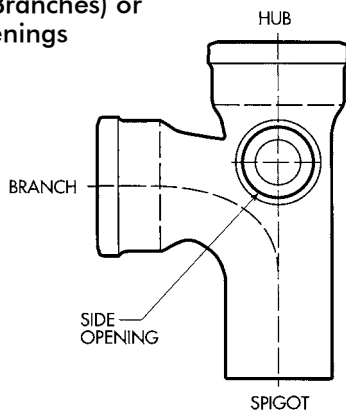
# HOW TO ORDER

## Guide To Ordering

1. To avoid errors, specify UPC numbers.
2. When selecting regular fittings, size of openings appear in this order:
  1. Main
  2. Branch or branches
3. When selecting reducing/increasing fittings, size appears as illustrated:

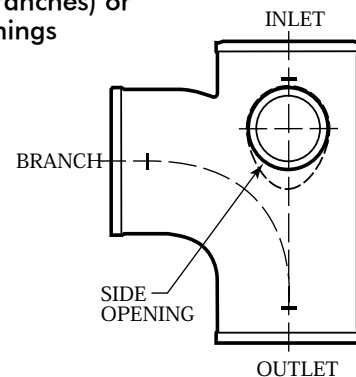
### Hub & Spigot:

1. Spigot of Main
2. Hub of Main
3. Branch (Branches) or Side Openings
4. Length



### No Hub:

1. Bottom Outlet
2. Top Inlet
3. Branch (Branches) or Side Openings
4. Length



### RH (Right Hand) Fittings Illustrated

4. When selecting long fittings, long bends are measured from the spigot (outlet) to the centerline of the hub (inlet); long branch fittings are measured from the spigot (outlet) to the base of the hub (inlet).
5. To specify right or left side openings, position fittings as follows and read left or right...
  - a. Bends, face open hub (inlet) with spigot (outlet) down.
  - b. Branch fittings, face open hub (inlet) of main with branch down.
6. All pipe and fittings are furnished coated.

## STANDARDS & SPECIFICATIONS

Piping to be installed for the various services shall be as specified or in accordance with local plumbing codes:

### CURRENT STANDARDS

#### ¶ NO-HUB® Cast Iron Soil Pipe and Fittings:

CISPI 301 ..... (Cast Iron Soil Pipe Institute)  
 ASTM A 888 ..... (American Society for Testing and Materials)

#### ¶ NO-HUB® Couplings

CISPI 310 ..... (Cast Iron Soil Pipe Institute)  
 ASTM C 1277 ..... (American Society for Testing and Materials)  
 ASTM C 1540 ..... (American Society for Testing and Materials)

#### SV Hub and Spigot Cast Iron Soil Pipe and Fittings:

ASTM A 74 ..... (American Society for Testing and Materials)

#### Hub & Spigot Gaskets:

ASTM C 564 ..... (American Society for Testing and Materials)



# TABLE OF CONTENTS

## NO-HUB SOIL PIPE AND FITTINGS

ADAPTERS .....	13
BENDS.....	3,4
CLEANOUTS.....	14
CLOSET FITTINGS.....	11
CLOSET FLANGES.....	13
COUPLINGS.....	2
COMBINATIONS.....	7
CROSSES.....	8
FERRULES .....	9
FIGURE FITTINGS.....	12, 13
FITTINGS W/TAPS.....	3,5,6,7,8,9,10,12,13
FITTINGS W/SIDE OPENINGS .....	3,5,6,8
INCREASER-REDUCER .....	9
PIPE.....	2
PLUGS.....	9
REDUCERS.....	9
SWEEPS.....	3,4
TEES.....	5,6,9
TORQUE WRENCH.....	2
TRAPS.....	10
VALU-PAKS .....	26, 27
WYE'S.....	6,7,14

## RUFWALL NO-HUB SPECIAL FITTINGS

APPLICATIONS.....	15
CLEANOUT PLUG, PINNED.....	20
COUPLING, TRANSITION.....	21
HARDWARE ASSEMBLIES.....	24,25
FLOOR MOUNT BACK OUTLET .....	24
WALL MOUNT .....	25
SPECIAL FITTINGS.....	23,24
BY-PASS.....	23
COMBINATION, LONG.....	23
FIGURE 1, EXTENDED .....	24
SAN CROSS, TAPPED, EXTENDED .....	24
SAN TEE, DOUBLE SWEEP.....	23
SAN TEE, TAPPED, EXTENDED.....	24
SWEEP, EXTENDED .....	23
WASTE & VENT, LONG.....	23
STARTER FITTINGS .....	16-19
DOUBLE VERTICAL 90°.....	19
NO-HUB VERTICAL.....	17
NO-HUB VERTICAL, NEW YORK.....	18
THREADED VERTICAL .....	16
P-TRAP, SIDE INLET .....	21
TUB WYE .....	22
WASTE CONNECTIONS.....	20

## HUB & SPIGOT PIPE & FITTINGS

BENDS .....	31,32
CLEANOUTS .....	38
COMBINATIONS SV .....	34,35,37,38
CROSSES .....	36,38
DOUBLE HUBS .....	39
FITTINGS W/TAPS.....	35,37,38,39
FITTINGS W/SIDE OPENINGS .....	34,35,36,37,39
GASKETS.....	41
"H" BRANCH.....	35
INCREASERS.....	39
LUBRICANTS .....	41
OFFSETS .....	33

PIPE.....	30
PLUGS .....	38
REDUCERS .....	39
SWEEPS .....	33
TEES.....	33,34,35,37,38
TRAPS .....	39,40
PIPE PULLERS.....	42,43
VALU-PAKS .....	28,29
WYE'S .....	34,35,36,37
PIPE.....	30
PLUGS .....	38
REDUCERS .....	39
SWEEPS .....	33
TEES.....	33,34,35,37,38
TRAPS .....	39,40
PIPE PULLERS.....	42,43
VALU-PAKS .....	28,29
WYE'S .....	34,35,36,37

## CHICAGO RUFWALL SV SPECIAL FITTINGS

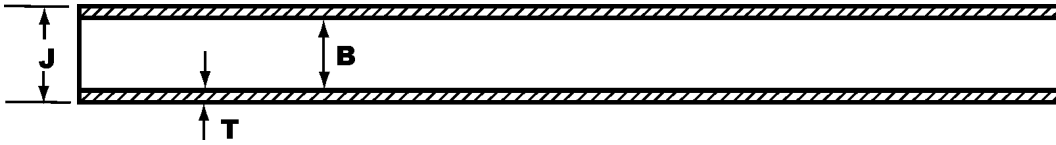
BENDS, CLOSET.....	48
BYPASS .....	48
CLOSET FITTINGS .....	44,45,46,47
BACK OUTLET.....	45,46,47
FLOOR OUTLET .....	44
CROSS.....	50
MANIFOLD .....	50
STACK, SINK .....	49
TEES.....	48,50
LONG SWEEP .....	48
WASTE.....	50
WYES .....	48,49
BATH .....	48
DOUBLE .....	49

## STAPLE SPECIALS & DRAINS

ADAPTORS .....	51
AREA DRAINS .....	56,57
BACK WATER VALVES .....	59
BAR GRATES .....	57
CESSPOOL DRAINS .....	56
CLEANOUT BODIES .....	51
CLEANOUT PLUGS, BRASS .....	55
CLEANOUTS, EXTENSION .....	51
CLOSET BENDS, PLAIN END.....	54
CLOSET BENDS REDUCING, PLAIN END.....	54
CLOSET BENDS REGULAR HUB.....	55
CLOSET BENDS REGULAR HUB REDUCING.....	55
CLOSET BENDS W/SIDE OUTLETS.....	54
CLOSET FLANGES SERIES 2-252.....	53
CLOSET FLANGES, TORQUE SET.....	53
CLOSET FLANGES, PUSH-ON.....	53
INSERTABLE JOINT .....	51
INSTALLATION DATA, CLOSET FLANGE.....	54
DROP LIDS.....	53
FERRULES.....	51
FLOOR DRAINS.....	58,59
PARTS, FLOOR DRAINS.....	59
SEWER SADDLES .....	52
SHOWER DRAINS.....	57,58
TEST PLUGS, WING NUT .....	52



# NO-HUB ASA Group 022 PIPE & COUPLINGS



## NO-HUB PIPE, TEN-FOOT LAYING LENGTH

Ship Code	UPCode 670610	Dia.	Wt. per 10* lbs.	Per Bundle	
				Pieces	Wt. lbs.
S	006763	1½	25	54	1350
S	006770	2	36	54	1955
S	006787	3	52	36	1855
S	006794	4	74	27	2013
S	006800	5	94	24	2256
S	006817	6	110	18	1998
S	006824	8	180	15	2718
S	006831	10	258	8	2084
S	376583	12	325	6	2130
S	376590	15	497	4	2060

\*Note: Weights approximate, for shipping purposes only.

## DIMENSIONS AND TOLERANCES

Size	Hubless Pipe Barrels		T Thickness	
	B Inside Diameter	J Outside Diameter	Norm.	Min.
1½	1.50±.09	1.90±.06	.16	.13
2	1.96±.09	2.35±.09	.16	.13
3	2.96±.09	3.35±.09	.16	.13
4	3.94±.09	4.38+.09-.05	.19	.15
5	4.94±.09	5.30+.09-.05	.19	.15
6	5.94±.09	6.30+.09-.05	.19	.15
8	7.94±.13	8.38+13-.09	.23	.17
10*	10.00±.13	10.56±.09	.28	.22
12*	11.94±.13	12.50±.13	.28	.22
15*	15.11±.13	15.83±.13	.36	.30

\*O.D. Barrel out of round tolerance of ±.04 is permitted.

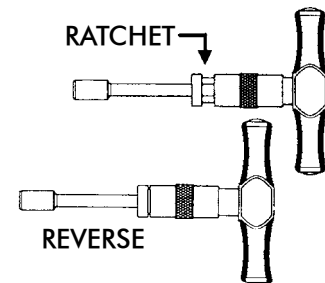
"Tyler Pipe Company strongly recommends that its hubless cast iron pipe and fittings be joined with shielded couplings manufactured in accordance with CISPI 310. The use of unshielded couplings or any coupling not meeting the above specifications will void the product warranty"



## NO-HUB COUPLING ASSEMBLY

Ship Code	UPCode 670610	Size & Description	Carton		Pallet	
			Quantity	Wt.	Quantity	Wt.
S	006206	1½	100	20	3600	720
S	006213	2x1½	100	30	3600	1080
S	006220	2	100	20	3600	720
S	006237	3x2	100	60	2400	1440
S	006244	3	100	40	2400	960
S	006251	4x3	60	48	1440	1152
S	006268	4	100	50	1600	800
S	006275	5	20	16	480	384
S	006282	6	25	25	450	450
S	006299	8	10	18	200	360
S	006305	10	10	21	120	252
S	376569	12*	2	7	48	168
S	376576	15*	2	9	48	216

\*ANACO Couplings

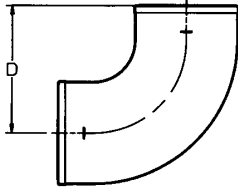


## TORQUE WRENCH 60-inch Pounds

Ship Code	UPCode 670610	Wt.
S	006558	2.0

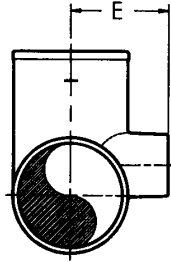


# NO-HUB ASA Group 022 BENDS & SWEEPS



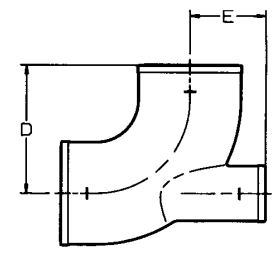
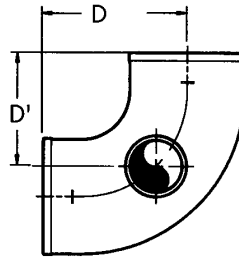
**QUARTER BEND**

Ship Code	UPCode 670610	Size	D	Wt.
S	006848	1½	4¼	1.9
S	006855	2	4½	2.8
S	006862	3	5	4.9
S	006879	4	5½	7.7
S	006886	5	6½	9.7
S	006893	6	7	13.0
S	006909	8	8½	26.2



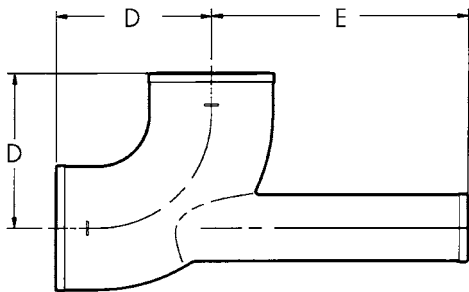
**QUARTER BEND w/2" Side Opening**

Ship Code	UPCode 670610	Size	D	D'	E	Wt.
S	006923	3	5	4	3¼	4.4
S	006930	4	5½	4 5/16	3¾	7.5



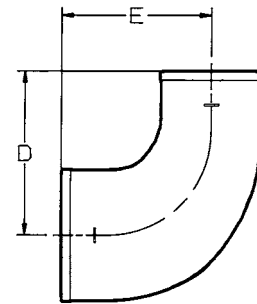
**QUARTER BEND  
w/ 2" Heel Opening**

Ship Code	UPCode 670610	Size	D	E	Wt.
S	006947	3	5	2 7/8	4.4
S	006954	4	5½	3¼	6.5



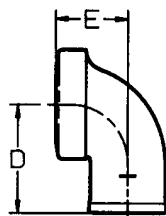
**QUARTER BEND  
EXTENDED LOW HEEL INLET**

Ship Code	UPCode 670610	Size	D	E	Wt.
S	011019	3x2	5	10½	7.8



**REDUCING QUARTER BEND  
(FLA. STYLE)**

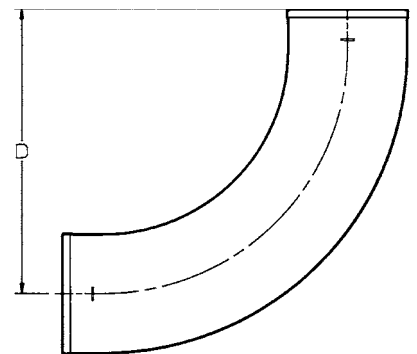
Ship Code	UPCode 670610	Size	D	E	Wt.
S	006916	4x3	5½	5	5.0



**TAP SHORT QUARTER BEND**

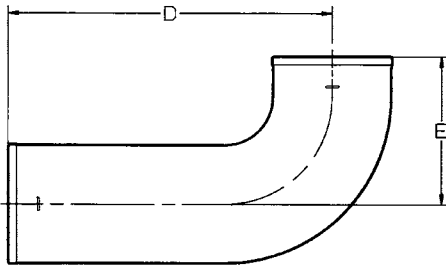
Ship Code	UPCode 670610	Size	D	E	Wt.
S	006961	1½x1½	3	2	1.5
S	006978	2x1¼	3¼	2¼	1.5
S	006985	2x1½	3¼	2¼	1.5
S	006992	2x2	3¼	2¼	2.6

**SHIPPING CODE**  
**S** = From Stock  
**N** = Non-Stock; Check in advance for availability.



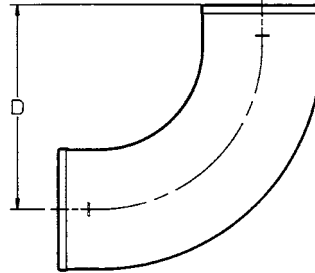
**LONG SWEEP**

Ship Code	UPCode 670610	Size	D	Wt.
S	007180	1½	9¼	4.1
S	007197	2	9½	6.0
S	007203	3	10	8.5
N	007258	4x3	10½	11.5
S	007210	4	10½	13.4
S	007227	5	11½	17.0
S	007234	6	12	20.9



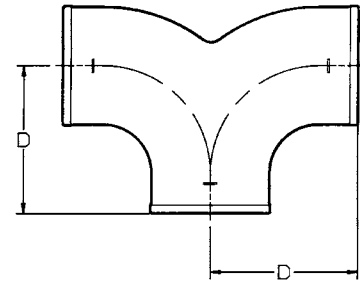
**LONG QUARTER BEND**

Ship Code	UPCode 670610	Size-Lgth	D	E	Wt.
S	007067	2-12	12	4½	5.0
S	007043	2-14	14	4½	5.6
S	007050	2-16	16	4½	6.3
S	007074	2-18	18	4½	6.7
N	062875	2-24	24	4½	10.7
S	007081	3-12	12	5	7.3
S	007098	3-18	18	5	10.4
S	007104	4-12	12	5½	10.2



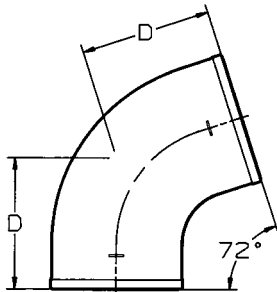
**SHORT SWEEP**

Ship Code	UPCode 670610	Size	D	Wt.
S	007111	2	6½	4.2
S	007128	3	7	6.2
S	007135	4	7½	9.6
S	007142	5	8½	12.8
S	007159	6	9	15.9
S	007166	8	10½	30.0
S	007173	10	12	55.4
S	376651	12	13¾	70.0
S	376668	15	14¾	130.0



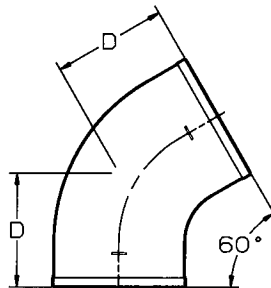
**DOUBLE QUARTER BEND**

Ship Code	UPCode 670610	Size	D	Wt.
S	007012	2	4½	3.6
S	007029	3	5	6.0
S	007036	4	5½	9.8



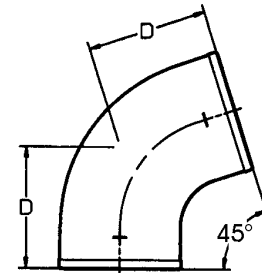
**FIFTH BEND**

Ship Code	UPCode 670610	Size	D	Wt.
S	007265	2	3 11/16	2.0
S	007272	3	4 1/16	3.5
S	007289	4	4 7/16	5.5



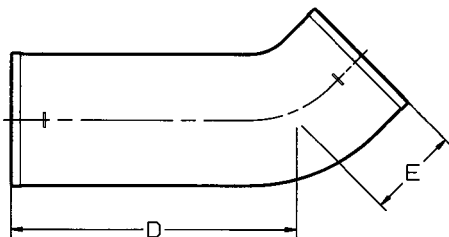
**SIXTH BEND**

Ship Code	UPCode 670610	Size	D	Wt.
S	007296	2	3 1/2	2.0
S	007302	3	3 1/2	3.0
S	007319	4	3 13/16	5.1



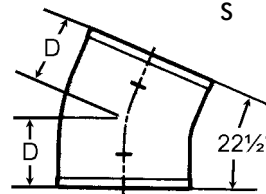
**EIGHTH BEND**

Ship Code	UPCode 670610	Size	D	Wt.
S	007326	1½	2 5/8	1.1
S	007333	2	2 3/4	2.1
S	007340	3	3	3.3
S	007357	4	3 1/8	4.4
S	007364	5	3 7/8	6.8
S	007371	6	4 1/16	8.5
S	007388	8	5	15.0
S	007395	10	5 15/16	30.7
S	376491	12	6 9/16	39.0
S	376675	15	7 3/16	70.0



**LONG EIGHTH BEND**

Ship Code	UPCode 670610	Size - Length	D	E	Wt.
N	382652	2-6	6	3	2.4
S	007401	2-12	12	2¾	4.9
S	007432	2-16	16	2¾	5.9
S	007456	2-18	18	2¾	6.5
S	007425	3-12	12	3	6.9
S	007449	4-12	12	3 1/8	0.4

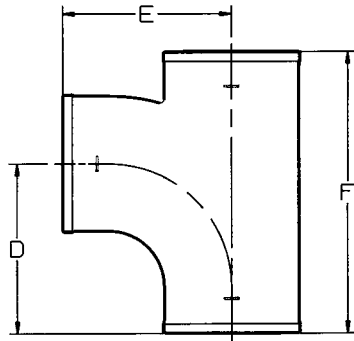


**SIXTEENTH BEND**

Ship Code	UPCode 670610	Size	D	Wt.
S	007487	1½	2 1/8	1.0
S	007494	2	2 1/8	1.3
S	007500	3	2 1/4	2.4
S	007517	4	2 5/16	3.8
S	007524	5	2 7/8	5.4
S	007531	6	3	7.3
S	007548	8	3 3/4	12.0

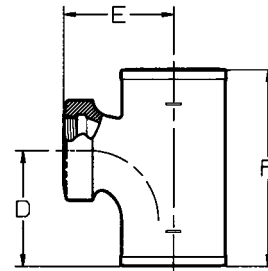


# NO-HUB ASA Group 022 TEES



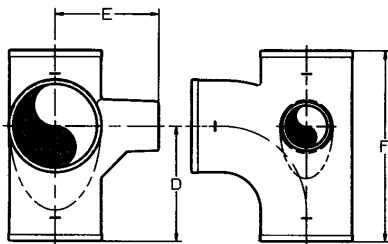
**SAN TEE**

Ship Code	UPCode 670610	Size	D	F	E	Wt.
S	007555	1½	4¼	6½	4¼	2.3
S	007562	2x1½	4¼	6 <sup>5</sup> / <sub>8</sub>	4½	3.0
S	007579	2	4½	6 <sup>7</sup> / <sub>8</sub>	4½	3.4
S	007586	3x1½	4¼	6½	5	3.2
S	007593	3x2	4½	6 <sup>7</sup> / <sub>8</sub>	5	4.9
S	007609	3	5	8	5	5.9
S	007616	4x2	4½	6 <sup>7</sup> / <sub>8</sub>	5½	6.6
S	007623	4x3	5	8	5½	8.3
S	007630	4	5½	9 <sup>1</sup> / <sub>8</sub>	5½	9.6
S	007647	5x2	5	8½	6½	8.7
S	007654	5x3	5½	9 <sup>5</sup> / <sub>16</sub>	6	9.8
S	007661	5x4	6	10 <sup>13</sup> / <sub>32</sub>	6	11.8
S	007678	5	6½	11 <sup>7</sup> / <sub>16</sub>	6½	12.6
S	007685	6x2	5	8 <sup>3</sup> / <sub>16</sub>	6½	11.0
S	007715	6x3	5½	9 <sup>3</sup> / <sub>16</sub>	6½	11.5
S	007692	6x4	6	10 <sup>1</sup> / <sub>16</sub>	6½	13.0
S	382669	6x5	6½	11½	7	17.4
S	007708	6	7	12½	7	15.0
S	007722	8x3	6	10 <sup>3</sup> / <sub>8</sub>	7½	17.0
S	007739	8x4	6½	11½	7½	19.5
S	007746	8x5	7	12½	8	25.0
S	007753	8x6	7½	13½	8	25.0
S	007760	8	8½	15½	8½	33.3



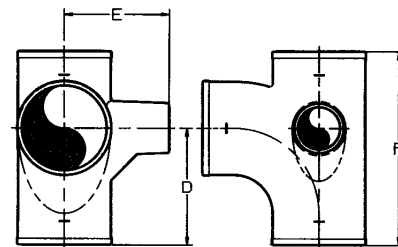
**SAN TAP TEE**

Ship Code	UPCode 670610	Size Tap	D	E	F	Wt.
S	007968	1½ x 1¼	3¼	2 <sup>9</sup> / <sub>16</sub>	5 <sup>11</sup> / <sub>16</sub>	2.3
S	007975	1½	3¼	2 <sup>9</sup> / <sub>16</sub>	5 <sup>11</sup> / <sub>16</sub>	2.1
S	007982	2x1¼	3¼	2 <sup>13</sup> / <sub>16</sub>	5 <sup>11</sup> / <sub>16</sub>	2.4
S	007999	2x1½	3¼	2 <sup>13</sup> / <sub>16</sub>	5 <sup>11</sup> / <sub>16</sub>	2.5
S	008002	2	3¾	3 <sup>1</sup> / <sub>16</sub>	6 <sup>3</sup> / <sub>8</sub>	2.9
S	008019	3x1¼	3¼	3 <sup>5</sup> / <sub>16</sub>	5 <sup>11</sup> / <sub>16</sub>	3.5
S	008026	3x1½	3¼	3 <sup>5</sup> / <sub>16</sub>	5 <sup>11</sup> / <sub>16</sub>	3.7
S	008033	3x2	3¾	3 <sup>9</sup> / <sub>16</sub>	6 <sup>3</sup> / <sub>8</sub>	4.5
S	008040	3	4 <sup>7</sup> / <sub>8</sub>	4 <sup>3</sup> / <sub>16</sub>	8	7.4
S	008057	4x1¼	3¼	3 <sup>13</sup> / <sub>16</sub>	5 <sup>11</sup> / <sub>16</sub>	5.0
S	008064	4x1½	3¼	3 <sup>13</sup> / <sub>16</sub>	5 <sup>11</sup> / <sub>16</sub>	4.8
S	008071	4x2	3¾	4 <sup>1</sup> / <sub>16</sub>	6 <sup>3</sup> / <sub>8</sub>	5.4
S	383277	4x3	4½	4 <sup>3</sup> / <sub>8</sub>	8	7.0
S	008095	5x1½	3¾	4 <sup>5</sup> / <sub>16</sub>	6 <sup>11</sup> / <sub>16</sub>	8.0
S	008101	5x2	4¼	4 <sup>9</sup> / <sub>16</sub>	6 <sup>11</sup> / <sub>16</sub>	7.1
S	008125	6x1½	3¾	5 <sup>3</sup> / <sub>16</sub>	6 <sup>11</sup> / <sub>16</sub>	8.5
S	008132	6x2	3¾	5 <sup>3</sup> / <sub>16</sub>	6 <sup>11</sup> / <sub>16</sub>	8.3



**SAN TEE  
(w/2" 90° Side Opening on Center)**

Ship Code	UPCode 670610	Size	Opening	E	F	D	Wt.
S	007777	3	LH	4 <sup>7</sup> / <sub>16</sub>	8	5	5.0
S	007791	3	RH	4 <sup>7</sup> / <sub>16</sub>	8	5	5.0
S	007784	4	LH	4 <sup>15</sup> / <sub>16</sub>	9 <sup>1</sup> / <sub>8</sub>	5½	9.2
S	007807	4	RH	4 <sup>15</sup> / <sub>16</sub>	9 <sup>1</sup> / <sub>8</sub>	5½	9.2



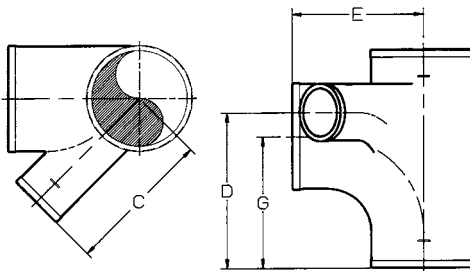
**SAN TEE  
(w/2" 90° Side Opening Above Center)  
New Orleans Code**

Ship Code	UPCode 670610	Size Opening	C	D	E	F	G	Wt.
S	007838	3 LH	4½	6	5	8½	5	6.3
S	007852	3 RH	4½	6	5	8½	5	6.3
S	007876	3 R&L	4½	6	5	8½	5	7.3
S	007845	4 LH	5	6½	5½	9 <sup>1</sup> / <sub>8</sub>	5½	9.5
S	007869	4 RH	5	6½	5½	9 <sup>1</sup> / <sub>8</sub>	5½	9.5
S	007883	4 R&L	5	6½	5½	9 <sup>1</sup> / <sub>8</sub>	5½	10.0

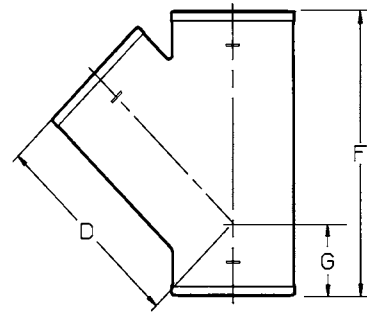




# NO-HUB ASA Group 022 TEES & WYE'S



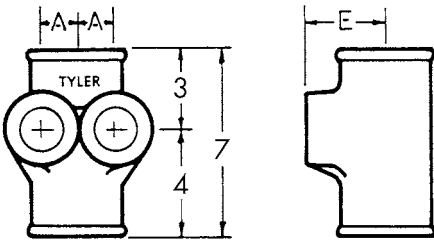
**SAN TEE**  
(w/2" 45° Side Opening Above Center)  
New Orleans Code



**WYE**

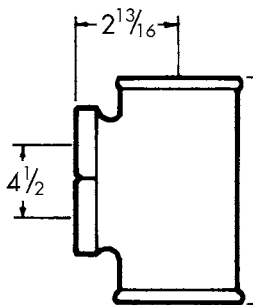
Ship Code	UPCode	Size	Opening	C	D	E	F	G	Wt.
S	007913	3	LH	5 <sup>3</sup> / <sub>8</sub>	6	5	8 <sup>1</sup> / <sub>2</sub>	5	6.0
S	007937	3	RH	5 <sup>3</sup> / <sub>8</sub>	6	5	8 <sup>1</sup> / <sub>2</sub>	5	6.0
N	387831	3	RL	5 <sup>3</sup> / <sub>8</sub>	6	5	8 <sup>3</sup> / <sub>4</sub>	5	7.5
S	007920	4	LH	6 <sup>1</sup> / <sub>8</sub>	6 <sup>1</sup> / <sub>2</sub>	5 <sup>1</sup> / <sub>2</sub>	9 <sup>1</sup> / <sub>8</sub>	5 <sup>1</sup> / <sub>2</sub>	9.3
S	007944	4	RH	6 <sup>1</sup> / <sub>8</sub>	6 <sup>1</sup> / <sub>2</sub>	5 <sup>1</sup> / <sub>2</sub>	9 <sup>1</sup> / <sub>8</sub>	5 <sup>1</sup> / <sub>2</sub>	9.3

Ship Code	UPCode	Size	D	F	G	Wt.
S	008200	1 <sup>1</sup> / <sub>2</sub>	4	6	2	2.0
S	008217	2	4 <sup>5</sup> / <sub>8</sub>	6 <sup>5</sup> / <sub>8</sub>	2	3.6
S	383291	3x1 <sup>1</sup> / <sub>2</sub>	4 <sup>5</sup> / <sub>8</sub>	6 <sup>5</sup> / <sub>8</sub>	2	3.0
S	008224	3x2	5 <sup>5</sup> / <sub>8</sub>	6 <sup>5</sup> / <sub>8</sub>	1 <sup>1</sup> / <sub>2</sub>	4.3
S	008231	3	5 <sup>3</sup> / <sub>4</sub>	8	2 <sup>1</sup> / <sub>4</sub>	6.5
S	008248	4x2	6	6 <sup>5</sup> / <sub>8</sub>	1	5.8
S	008255	4x3	6 <sup>1</sup> / <sub>2</sub>	8	1 <sup>11</sup> / <sub>16</sub>	9.0
S	008262	4	7 <sup>1</sup> / <sub>16</sub>	9 <sup>1</sup> / <sub>2</sub>	2 <sup>7</sup> / <sub>16</sub>	10.3
S	008279	5x2	7 <sup>1</sup> / <sub>2</sub>	8 <sup>1</sup> / <sub>16</sub>	1 <sup>5</sup> / <sub>16</sub>	7.2
S	008286	5x3	8	9 <sup>11</sup> / <sub>16</sub>	1 <sup>11</sup> / <sub>16</sub>	10.5
S	008293	5x4	8 <sup>1</sup> / <sub>2</sub>	11 <sup>3</sup> / <sub>16</sub>	2 <sup>7</sup> / <sub>16</sub>	12.6
S	008309	5	9 <sup>1</sup> / <sub>2</sub>	12 <sup>5</sup> / <sub>8</sub>	3 <sup>3</sup> / <sub>8</sub>	14.5
S	008316	6x2	8 <sup>1</sup> / <sub>4</sub>	8 <sup>5</sup> / <sub>16</sub>	1/2	9.5
S	008323	6x3	8 <sup>3</sup> / <sub>4</sub>	9 <sup>3</sup> / <sub>4</sub>	1 <sup>1</sup> / <sub>4</sub>	11.0
S	008330	6x4	9 <sup>1</sup> / <sub>4</sub>	11 <sup>3</sup> / <sub>16</sub>	1 <sup>15</sup> / <sub>16</sub>	16.0
S	008347	6x5	10 <sup>1</sup> / <sub>4</sub>	12 <sup>1</sup> / <sub>2</sub>	2 <sup>9</sup> / <sub>16</sub>	17.7
S	008354	6	10 <sup>3</sup> / <sub>4</sub>	14 <sup>1</sup> / <sub>16</sub>	3 <sup>5</sup> / <sub>16</sub>	21.0
S	008361	8x2	9 <sup>3</sup> / <sub>8</sub>	8 <sup>1</sup> / <sub>2</sub>	9/16	15.0
S	008378	8x3	9 <sup>13</sup> / <sub>16</sub>	9 <sup>15</sup> / <sub>16</sub>	1/8	17.5
S	008385	8x4	10 <sup>3</sup> / <sub>8</sub>	11 <sup>7</sup> / <sub>16</sub>	1 <sup>5</sup> / <sub>16</sub>	21.8
S	008392	8x5	11 <sup>3</sup> / <sub>8</sub>	12 <sup>13</sup> / <sub>16</sub>	1 <sup>5</sup> / <sub>8</sub>	25.5
S	008408	8x6	11 <sup>13</sup> / <sub>16</sub>	14 <sup>3</sup> / <sub>16</sub>	2 <sup>15</sup> / <sub>16</sub>	28.3
S	008415	8	13 <sup>3</sup> / <sub>8</sub>	17 <sup>1</sup> / <sub>8</sub>	3 <sup>3</sup> / <sub>4</sub>	39.3
S	008422	10x4	11 <sup>11</sup> / <sub>16</sub>	12 <sup>5</sup> / <sub>8</sub>	3/4	37.0
S	008439	10x6	13 <sup>3</sup> / <sub>8</sub>	15 <sup>7</sup> / <sub>16</sub>	2 <sup>3</sup> / <sub>16</sub>	48.0
S	008446	10x8	14 <sup>11</sup> / <sub>16</sub>	18 <sup>3</sup> / <sub>8</sub>	3 <sup>3</sup> / <sub>8</sub>	57.0
S	008453	10	16 <sup>1</sup> / <sub>2</sub>	21 <sup>1</sup> / <sub>2</sub>	5 <sup>1</sup> / <sub>16</sub>	73.0
S	376736	12	19 <sup>3</sup> / <sub>4</sub>	25 <sup>1</sup> / <sub>2</sub>	5 <sup>3</sup> / <sub>4</sub>	112.0
S	376644	15	23 <sup>1</sup> / <sub>4</sub>	30	6 <sup>3</sup> / <sub>4</sub>	193.0



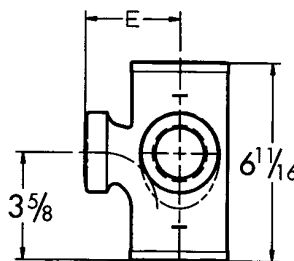
**HORIZONTAL TWIN TAP TEE**

Ship Code	UPCode	Size	A	E	Wt.
S	008170	3x1 <sup>1</sup> / <sub>2</sub>	1 <sup>3</sup> / <sub>8</sub>	3	8
S	008187	4x1 <sup>1</sup> / <sub>2</sub>	1 <sup>3</sup> / <sub>8</sub>	3 <sup>1</sup> / <sub>2</sub>	9



**DOUBLE VERTICAL  
SAN TAP TEE**

Ship Code	UPCode	Size	Wt.
S	008194	2x1 <sup>1</sup> / <sub>2</sub>	4.1

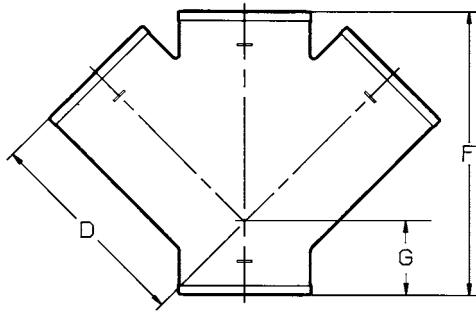


**SAN TAP TEE  
(w/Tap on Side)**

Ship Code	UPCode	Size	E	Wt.
S	008149	2x1 <sup>1</sup> / <sub>2</sub> x1 <sup>1</sup> / <sub>2</sub>	2 <sup>13</sup> / <sub>16</sub>	3.8
S	008163	3x1 <sup>1</sup> / <sub>2</sub> x1 <sup>1</sup> / <sub>2</sub>	3 <sup>5</sup> / <sub>16</sub>	4.7

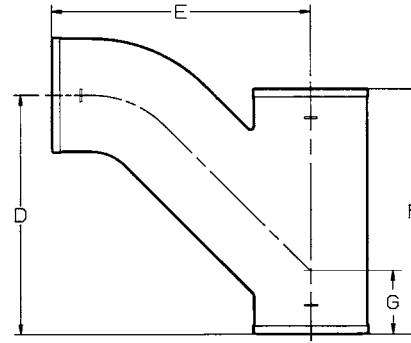


# NO-HUB ASA Group 022 COMBINATIONS AND Y'S



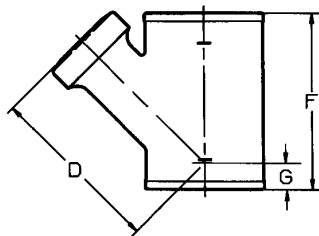
**DOUBLE WYE**

Ship Code	UPCode 670610	Size	D	F	G	Wt.
S	008538	2	4 <sup>5</sup> / <sub>8</sub>	6 <sup>5</sup> / <sub>8</sub>	2	3.6
S	008545	3x2	5 <sup>5</sup> / <sub>16</sub>	6 <sup>5</sup> / <sub>8</sub>	1 <sup>1</sup> / <sub>2</sub>	6.2
S	008552	3	5 <sup>3</sup> / <sub>4</sub>	8	2 <sup>1</sup> / <sub>4</sub>	6.5
S	008569	4x2	6	6 <sup>5</sup> / <sub>8</sub>	1	7.5
S	008576	4x3	6 <sup>1</sup> / <sub>2</sub>	8	1 <sup>11</sup> / <sub>16</sub>	8.5
S	008583	4	7 <sup>1</sup> / <sub>16</sub>	9 <sup>1</sup> / <sub>2</sub>	2 <sup>7</sup> / <sub>16</sub>	10.3
S	008590	5x4	8 <sup>1</sup> / <sub>2</sub>	11 <sup>3</sup> / <sub>16</sub>	2 <sup>7</sup> / <sub>16</sub>	15.0
S	008606	6x4	9 <sup>1</sup> / <sub>4</sub>	11 <sup>3</sup> / <sub>16</sub>	1 <sup>15</sup> / <sub>16</sub>	17.8
S	008613	6	10 <sup>3</sup> / <sub>4</sub>	14 <sup>1</sup> / <sub>16</sub>	3 <sup>5</sup> / <sub>16</sub>	24.2
N	274445	8x4	10 <sup>3</sup> / <sub>8</sub>	11 <sup>7</sup> / <sub>16</sub>	1 <sup>5</sup> / <sub>16</sub>	23.0
S	383093	8x6	11 <sup>13</sup> / <sub>16</sub>	14 <sup>3</sup> / <sub>16</sub>	2 <sup>5</sup> / <sub>16</sub>	32.3
S	008620	8	13 <sup>3</sup> / <sub>8</sub>	17 <sup>1</sup> / <sub>8</sub>	3	50.0



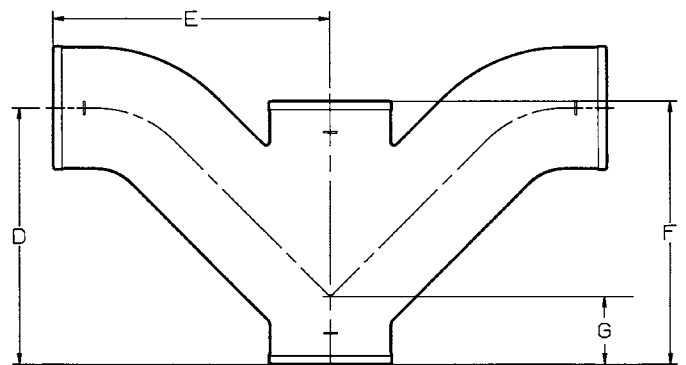
**COMBINATION**

Ship Code	UPCode 670610	Size	D	E	F	G	Wt.
S	008767	1 <sup>1</sup> / <sub>2</sub>	4 <sup>3</sup> / <sub>4</sub>	5 <sup>3</sup> / <sub>8</sub>	6	2	2.6
S	008774	2x1 <sup>1</sup> / <sub>2</sub>	5	5 <sup>7</sup> / <sub>8</sub>	6	2	2.8
S	008781	2	5 <sup>3</sup> / <sub>8</sub>	6 <sup>1</sup> / <sub>8</sub>	6 <sup>5</sup> / <sub>8</sub>	2	4.5
S	383062	3x1 <sup>1</sup> / <sub>2</sub>	5 <sup>1</sup> / <sub>2</sub>	6 <sup>3</sup> / <sub>4</sub>	6 <sup>5</sup> / <sub>8</sub>	1 <sup>1</sup> / <sub>2</sub>	4.0
S	008798	3x2	5 <sup>1</sup> / <sub>2</sub>	6 <sup>3</sup> / <sub>4</sub>	6 <sup>5</sup> / <sub>8</sub>	1 <sup>1</sup> / <sub>2</sub>	5.8
S	008804	3	7 <sup>5</sup> / <sub>16</sub>	8	8	2 <sup>1</sup> / <sub>4</sub>	8.4
S	008811	4x2	5 <sup>1</sup> / <sub>2</sub>	7 <sup>1</sup> / <sub>4</sub>	6 <sup>5</sup> / <sub>8</sub>	1	7.4
S	008828	4x3	7 <sup>1</sup> / <sub>4</sub>	8 <sup>1</sup> / <sub>2</sub>	8	1 <sup>11</sup> / <sub>16</sub>	10.6
S	008835	4	9 <sup>1</sup> / <sub>4</sub>	10	9 <sup>1</sup> / <sub>2</sub>	2 <sup>7</sup> / <sub>16</sub>	14.5
S	008842	5x2	5 <sup>15</sup> / <sub>16</sub>	7 <sup>3</sup> / <sub>4</sub>	8 <sup>1</sup> / <sub>16</sub>	1 <sup>5</sup> / <sub>16</sub>	8.0
S	008859	5x3	7 <sup>3</sup> / <sub>4</sub>	9	9 <sup>11</sup> / <sub>16</sub>	1 <sup>11</sup> / <sub>16</sub>	12.0
S	008866	5x4	9 <sup>3</sup> / <sub>4</sub>	10 <sup>1</sup> / <sub>2</sub>	11 <sup>3</sup> / <sub>16</sub>	2 <sup>7</sup> / <sub>16</sub>	14.7
S	008873	5	11 <sup>3</sup> / <sub>4</sub>	12 <sup>1</sup> / <sub>2</sub>	12 <sup>5</sup> / <sub>8</sub>	3 <sup>1</sup> / <sub>8</sub>	21.0
S	008880	6x2	6	8 <sup>1</sup> / <sub>4</sub>	8 <sup>5</sup> / <sub>16</sub>	1 <sup>1</sup> / <sub>2</sub>	10.0
S	008897	6x3	7 <sup>13</sup> / <sub>16</sub>	9 <sup>1</sup> / <sub>2</sub>	9 <sup>3</sup> / <sub>4</sub>	1 <sup>1</sup> / <sub>4</sub>	12.5
S	008903	6x4	9 <sup>3</sup> / <sub>4</sub>	11	11 <sup>3</sup> / <sub>16</sub>	1 <sup>15</sup> / <sub>16</sub>	18.2
S	008910	6x5	11 <sup>11</sup> / <sub>16</sub>	13	12 <sup>1</sup> / <sub>2</sub>	2 <sup>9</sup> / <sub>16</sub>	23.0
S	008927	6	13 <sup>5</sup> / <sub>8</sub>	14 <sup>3</sup> / <sub>8</sub>	14 <sup>1</sup> / <sub>16</sub>	3 <sup>5</sup> / <sub>16</sub>	30.1
S	008934	8x4	9 <sup>7</sup> / <sub>16</sub>	11 <sup>5</sup> / <sub>16</sub>	11 <sup>3</sup> / <sub>16</sub>	7 <sup>1</sup> / <sub>8</sub>	26.0
S	008941	8x6	12	13 <sup>3</sup> / <sub>8</sub>	13 <sup>15</sup> / <sub>16</sub>	2 <sup>1</sup> / <sub>4</sub>	36.0
S	008958	8	14 <sup>3</sup> / <sub>4</sub>	15 <sup>9</sup> / <sub>16</sub>	16 <sup>15</sup> / <sub>16</sub>	3 <sup>3</sup> / <sub>4</sub>	50.0



**TAP WYE**

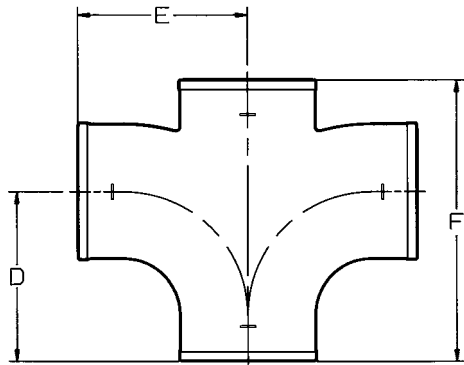
Ship Code	UPCode 670610	Size	D	F	G	Wt.
S	008460	2x1 <sup>1</sup> / <sub>2</sub>	5 <sup>1</sup> / <sub>16</sub>	6 <sup>5</sup> / <sub>8</sub>	1 <sup>5</sup> / <sub>8</sub>	3.5
S	008477	2x2	5 <sup>1</sup> / <sub>16</sub>	6 <sup>5</sup> / <sub>8</sub>	1 <sup>5</sup> / <sub>8</sub>	5.0
S	008484	3x1 <sup>1</sup> / <sub>2</sub>	5 <sup>3</sup> / <sub>4</sub>	6 <sup>5</sup> / <sub>8</sub>	1 <sup>1</sup> / <sub>2</sub>	3.5
S	008491	3x2	5 <sup>13</sup> / <sub>16</sub>	6 <sup>5</sup> / <sub>8</sub>	1 <sup>1</sup> / <sub>2</sub>	4.3
S	008514	4x1 <sup>1</sup> / <sub>2</sub>	6 <sup>7</sup> / <sub>16</sub>	6 <sup>5</sup> / <sub>8</sub>	1	5.7
S	008521	4x2	6 <sup>1</sup> / <sub>2</sub>	6 <sup>5</sup> / <sub>8</sub>	1	6.0



**DOUBLE COMBINATION**

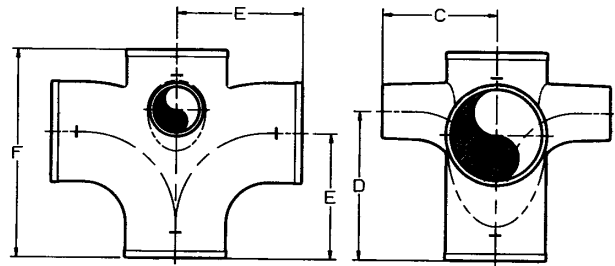
Ship Code	UPCode 670610	Size	D	E	F	G	Wt.
S	009009	2	5 <sup>3</sup> / <sub>8</sub>	6 <sup>1</sup> / <sub>8</sub>	6 <sup>5</sup> / <sub>8</sub>	2	6.2
S	009016	3x2	5 <sup>1</sup> / <sub>2</sub>	6 <sup>3</sup> / <sub>4</sub>	6 <sup>5</sup> / <sub>8</sub>	1 <sup>1</sup> / <sub>2</sub>	7.2
S	009023	3	7 <sup>5</sup> / <sub>16</sub>	8	8	2 <sup>1</sup> / <sub>4</sub>	9.9
S	009030	4x2	5 <sup>1</sup> / <sub>2</sub>	7 <sup>1</sup> / <sub>4</sub>	6 <sup>5</sup> / <sub>8</sub>	1	7.6
S	009047	4x3	7 <sup>1</sup> / <sub>4</sub>	8 <sup>1</sup> / <sub>2</sub>	8	1 <sup>11</sup> / <sub>16</sub>	12.0
S	009054	4	9 <sup>1</sup> / <sub>4</sub>	10	9 <sup>1</sup> / <sub>2</sub>	2 <sup>7</sup> / <sub>16</sub>	17.7

**SHIPPING CODE**  
**S** = From Stock  
**N** = Non-Stock; Check in advance for availability.



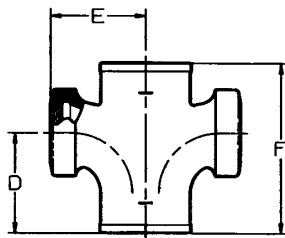
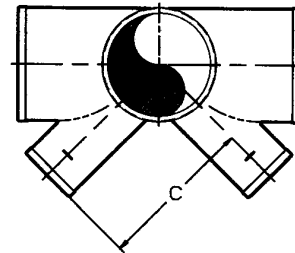
**SAN CROSS**

Ship Code	UPCode 670610	Size	D	E	F	Wt.
S	009061	1½	4¼	4¼	6½	3.1
S	009078	2	4½	4½	6¾	4.0
S	009085	3x2	4½	5	6¾	6.1
S	009092	3	5	5	8	6.2
S	009108	4x2	4½	5½	6¾	6.2
S	009115	4x3	5	5½	8	9.7
S	009122	4	5½	5½	9⅞	8.9
S	009139	5x4	6	6	10⅞	13.3
S	009146	6x4	6	6½	10⅞	12.0
S	009153	6	7	7	12½	20.3
S	009160	8x4	6½	7½	11½	25.0
S	389866	8	8½	8½	15½	38.8



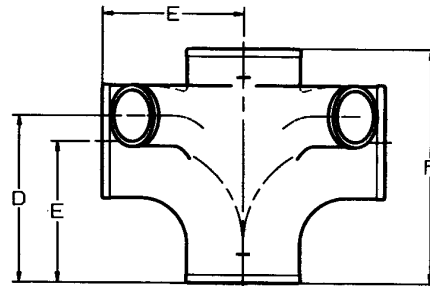
**SAN CROSS  
(w/2" 90° Opening Above Center)  
New Orleans Code  
(No Baffle)**

Ship Code	UPCode 670610	Size (Inlets)	C	D	E	F	Wt.
S	009221	3 (2)	4½	6	5	8¾	9.3
S	009238	4 (1)	5	6½	5½	9⅞	11.0
S	009245	4 (2)	5	6½	5½	9⅞	12.0



**SAN TAP CROSS  
(No Baffle)**

Ship Code	UPCode 670610	Size	D	E	F	Wt.
S	009283	1½x1½	3¼	2⅞	5⅞	3.4
S	009290	2x1¼	3¼	2⅞	5⅞	3.7
S	009306	2x1½	3¼	2⅞	5⅞	3.5
S	009313	2x2	3¼	3⅞	6⅞	4.0
S	009337	3x1½	3¼	3⅞	5⅞	4.6
S	009344	3x2	3¼	3⅞	6⅞	5.0
S	009368	4x1½	3¼	3⅞	5⅞	5.5
S	009375	4x2	3¼	4⅞	6⅞	6.7
S	009405	5x1½	3⅞	4⅞	6⅞	8.4
N	009382	6x1½	3¼	4⅞	6⅞	10.5



**SAN CROSS  
(with two 2" 45° San Openings—Same Side)  
New Orleans Code  
(No Baffle)**

Ship Code	UPCode 670610	Size	C	D	E	F	Wt.
S	009252	3	5⅞	6	5	8	7.6
S	009269	4	6⅞	6½	5½	9⅞	11.0

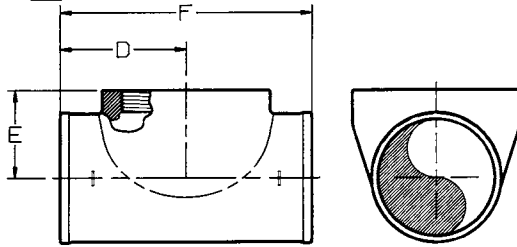
**SHIPPING CODE**

**S** = From Stock

**N** = Non-Stock; Check in advance for availability.



# NO-HUB ASA Group 022 TEES, FERRULES, REDUCERS, ADAPTERS & PLUGS

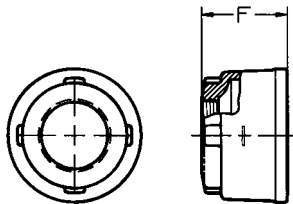


**TEST TEE  
(Less Plug)**

Ship Code	UPCode 670610	Size-IPS	E	F	D	Wt.
S	009429	2-2	2	6 <sup>3</sup> / <sub>8</sub>	3 <sup>3</sup> / <sub>16</sub>	2.7
S	009436	3-3	2 1 <sup>1</sup> / <sub>16</sub>	7 <sup>3</sup> / <sub>4</sub>	3 <sup>3</sup> / <sub>8</sub>	4.8
S	009443	4-4	3	8 <sup>7</sup> / <sub>8</sub>	4 <sup>7</sup> / <sub>16</sub>	9.4
S	009450	5-5	4 <sup>1</sup> / <sub>2</sub>	11 <sup>1</sup> / <sub>2</sub>	5 <sup>3</sup> / <sub>4</sub>	14.7
S	009467	6-6	5	12 <sup>1</sup> / <sub>2</sub>	6 <sup>1</sup> / <sub>4</sub>	18.4
S	009474	8-8	6	15 <sup>1</sup> / <sub>4</sub>	7 <sup>3</sup> / <sub>8</sub>	30.4
S	381501	10-10	6 <sup>1</sup> / <sub>2</sub>	20	10	59.0

**TEST TEE  
(w/ Type A Plug)**

Ship Code	UPCode 670610	Size-IPS	E	F	D	Wt.
S	011736	2-2	2	6 <sup>3</sup> / <sub>8</sub>	3 <sup>3</sup> / <sub>16</sub>	3.0
S	011743	3-3	2 1 <sup>1</sup> / <sub>16</sub>	7 <sup>3</sup> / <sub>4</sub>	3 <sup>3</sup> / <sub>8</sub>	5.5
S	011750	4-4	3	8 <sup>7</sup> / <sub>8</sub>	4 <sup>7</sup> / <sub>16</sub>	10.4
S	011767	5-5	4 <sup>1</sup> / <sub>2</sub>	11 <sup>1</sup> / <sub>2</sub>	5 <sup>3</sup> / <sub>4</sub>	16.0
S	011774	6-6	5	12 <sup>1</sup> / <sub>2</sub>	6 <sup>1</sup> / <sub>4</sub>	20.7
S	011781	8-8	6	15 <sup>1</sup> / <sub>4</sub>	7 <sup>3</sup> / <sub>8</sub>	36.0

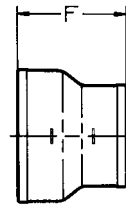


**FERRULE  
Less Plug**

Ship Code	UPCode 671610	Size-IPS	F	Wt.
S	009979	2-1 <sup>1</sup> / <sub>2</sub>	1 <sup>3</sup> / <sub>4</sub>	0.4
S	009986	3-2 <sup>1</sup> / <sub>2</sub>	1 <sup>3</sup> / <sub>4</sub>	0.9
S	009993	4-3 <sup>1</sup> / <sub>2</sub>	1 <sup>3</sup> / <sub>4</sub>	1.1
S	010005	5-4	3 <sup>3</sup> / <sub>8</sub>	5.0
S	010012	6-5	3 <sup>3</sup> / <sub>32</sub>	6.0
S	010029	8-6	3 <sup>3</sup> / <sub>32</sub>	7.8

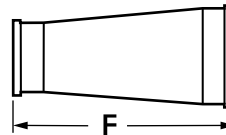
**FERRULE  
w/ Type A Plug**

Ship Code	UPCode 671610	Size	F	Wt.
S	012108	2x1 <sup>1</sup> / <sub>2</sub>	1 <sup>3</sup> / <sub>4</sub>	0.6
S	012115	3x2 <sup>1</sup> / <sub>2</sub>	1 <sup>3</sup> / <sub>4</sub>	1.3
S	012122	4x3 <sup>1</sup> / <sub>2</sub>	1 <sup>3</sup> / <sub>4</sub>	1.9
S	012139	5x4	3 <sup>3</sup> / <sub>8</sub>	6.0
S	012146	6x5	3 <sup>3</sup> / <sub>32</sub>	7.3
S	012153	8x6	3 <sup>3</sup> / <sub>32</sub>	10.1



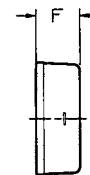
**SHORT REDUCER**

Ship Code	UPCode 670610	Size	F	Wt.
S	009665	2x1 <sup>1</sup> / <sub>2</sub>	3 <sup>5</sup> / <sub>8</sub>	1.1
S	382607	3x1 <sup>1</sup> / <sub>2</sub>	3 <sup>5</sup> / <sub>8</sub>	1.7
S	009672	3x2	3 <sup>5</sup> / <sub>8</sub>	1.4
S	009689	4x2	3 <sup>5</sup> / <sub>8</sub>	2.2
S	009696	4x3	3 <sup>5</sup> / <sub>8</sub>	2.2
S	383314	5x2	4	3.3
S	009702	5x3	4	3.7
S	009719	5x4	4	3.6
S	009726	6x2	4	4.3
S	009733	6x3	4	3.8
S	009740	6x4	4	4.2
S	009757	6x5	4 <sup>1</sup> / <sub>2</sub>	5.0
S	009764	8x2	4 <sup>1</sup> / <sub>2</sub>	8.0
S	009771	8x3	4 <sup>1</sup> / <sub>2</sub>	7.5
S	009788	8x4	4 <sup>1</sup> / <sub>2</sub>	7.6
S	009795	8x5	5	8.6
S	009801	8x6	5	7.5
S	009818	10x4	5 <sup>1</sup> / <sub>2</sub>	15.0
S	009825	10x6	6	14.3
S	009832	10x8	6	13.0
S	377559	12x4	6 <sup>1</sup> / <sub>2</sub>	20.0
S	376507	12x6	6 <sup>1</sup> / <sub>2</sub>	20.0
S	376514	12x8	7	21.0
S	376521	12x10	7 <sup>1</sup> / <sub>2</sub>	25.0
S	377566	15x4	7	32.0
S	376750	15x6	7	35.0
S	376538	15x8	7	34.0
S	376545	15x10	7 <sup>1</sup> / <sub>2</sub>	38.0
S	376552	15x12	7 <sup>3</sup> / <sub>4</sub>	37.0



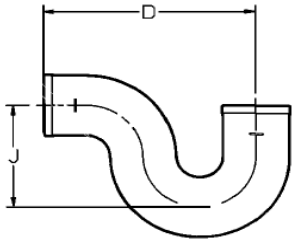
**INCREASER-REDUCER**

Ship Code	UPCode 671610	Size	F	Wt.
S	449447	2x3	8	3.8
S	009658	3x4	8	4.6

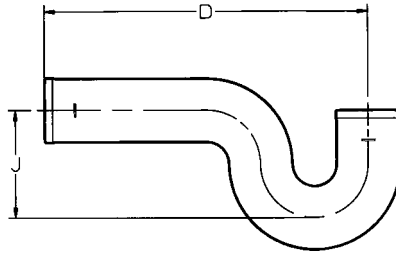


**BLIND PLUG**

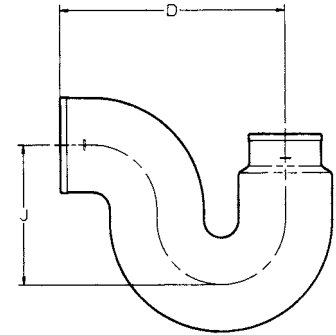
Ship Code	UPCode 670610	Size	F	Wt.
S	010036	1 <sup>1</sup> / <sub>2</sub>	1 <sup>3</sup> / <sub>4</sub>	0.8
S	010043	2	1 <sup>3</sup> / <sub>4</sub>	0.7
S	010050	3	1 <sup>3</sup> / <sub>4</sub>	1.2
S	010067	4	1 <sup>3</sup> / <sub>4</sub>	2.0
S	010074	5	1 <sup>3</sup> / <sub>4</sub>	2.5
S	010081	6	1 <sup>3</sup> / <sub>4</sub>	3.0
S	010098	8	2 <sup>1</sup> / <sub>4</sub>	6.7
S	010104	10	3	15.5
S	377535	12	3 <sup>1</sup> / <sub>2</sub>	18.0
S	377542	15	3 <sup>1</sup> / <sub>2</sub>	33.0



**P-TRAP**



**LONG P-TRAP**

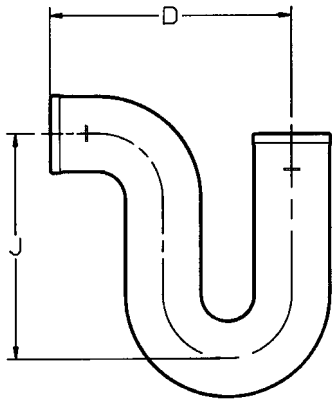


**REDUCING P-TRAP**

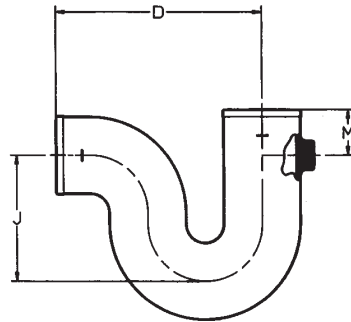
Ship Code	UPCode 670610	Size	D	J	Wt.
S	010111	1½	6¾	3½	2.8
S	010128	2	7½	4	5.0
S	010135	3	9	5½	9.7
S	010142	4	10½	6½	14.8
S	010159	6	14	8½	33.0

Ship Code	UPCode 670610	Size	D	J	Wt.
S	010166	2x12	12	4	5.8
S	010173	2x14	14	4	6.7
S	010180	2x16	16	4	7.6
S	010197	2x18	18	4	8.5

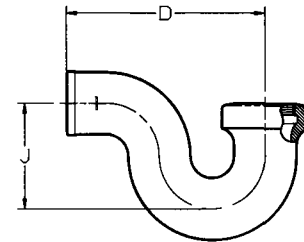
Ship Code	UPCode 670610	Size	D	J	Wt.
S	011231	3x2	9	5½	10.0



**DEEP SEAL P-TRAP**



**P-TRAP  
w/½" Primer Tap**

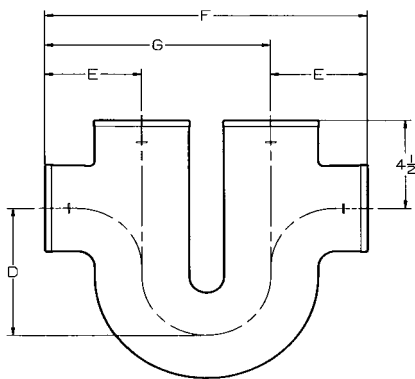


**TAP P-TRAP**

Ship Code	UPCode 670610	Size	D	J	Wt.
S	010258	2	7½	7	6.5
S	010265	3	9	7	10.4
S	010272	4	10½	8	17.2

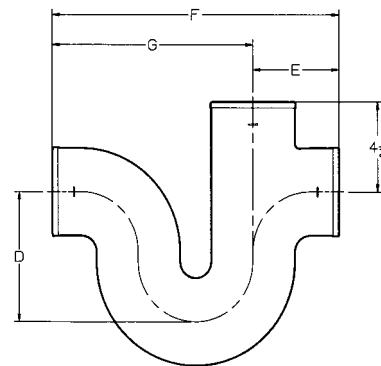
Ship Code	UPCode 670610	Size	D	M	J	Wt.
S	011200	2	7½	2	4	5.3
S	011217	3	9	2	5½	8.9
S	011224	4	10½	2	6½	16.6

Ship Code	UPCode 670610	Size	D	J	Wt.
S	010340	1½	6¾	3½	3.8
S	010364	2x1½	7½	4	5.0
S	010371	2	7½	4	4.1



**RUNNING TRAP w/TWO 4" VENTS**

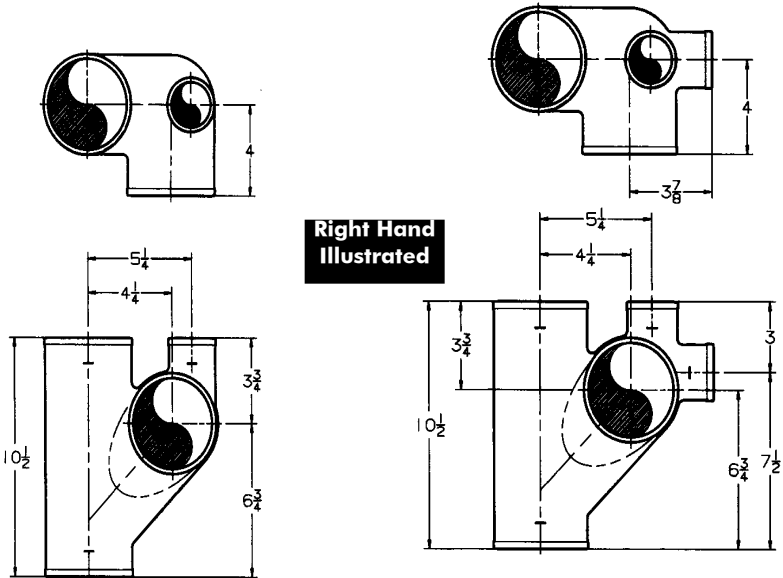
Ship Code	UPCode 670610	Size	D	E	F	G	Wt.
S	010296	4	6½	4½	15	10½	27.0



**RUNNING TRAP w/4" SINGLE VENT**

Ship Code	UPCode 670610	Size	D	E	F	G	Wt.
S	010289	4	6½	4½	15	10½	20.0

**\*457-4" Stack, 4" Closet Waste, 2" Vent**  
**\*458-4" Stack, 4" Closet Waste, 2" Waste, 2" Vent**



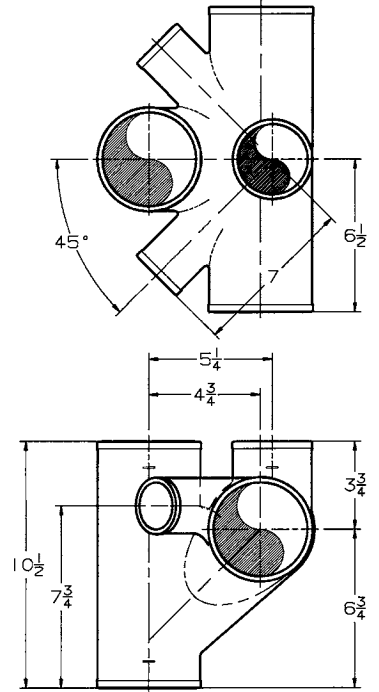
**\*9-457 VENTED CLOSET TEE  
w/2" Top Vent**

Ship Code	UPCode	Size	Wt.
S	010470	4x4x2x4(R)	12.5
S	010487	4x4x2x4(L)	12.5

**9-458 VENTED CLOSET TEE  
w/2" Top Vent  
and 2" Side Openings**

Ship Code	UPCode	Size	Wt.
S	010494	4x4x2x2x4(R)	12.8
S	010500	4x4x2x2x4(L)	12.8

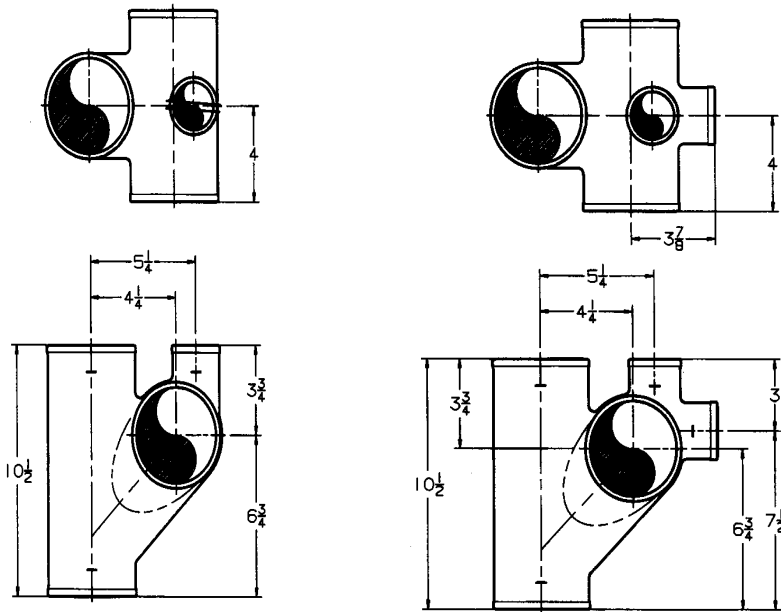
**\*399-4" Stack, two 4" Closet  
Waste, two 2" Waste, 3" Vent**



**\*9-399 VENTED  
CLOSET CROSS  
(No Baffle)**

Ship Code	UPCode	Size	Wt.
S	010456	*4x3x2x4	20.0

**\*463-4" Stack, two 4" Waste, 2" Vent**  
**\*464-4" Stack, two 4" Waste, 2" Waste, 2" Vent**



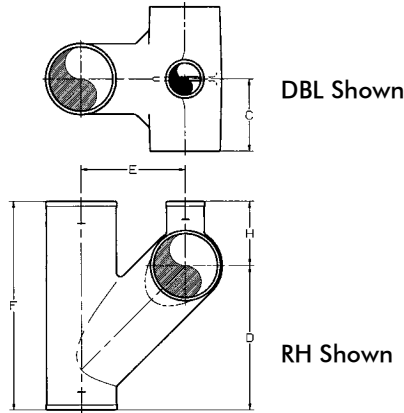
**\*9-463 VENTED CLOSET CROSS  
w/2" Top Vent (With Baffle)**

Ship Code	UPCode	Size	Wt.
S	010517	4x4x2x4x4	13.5

**\*9-464 VENTED CLOSET CROSS  
w/2" Top Vent and 2" Side Opening  
(No Baffle)**

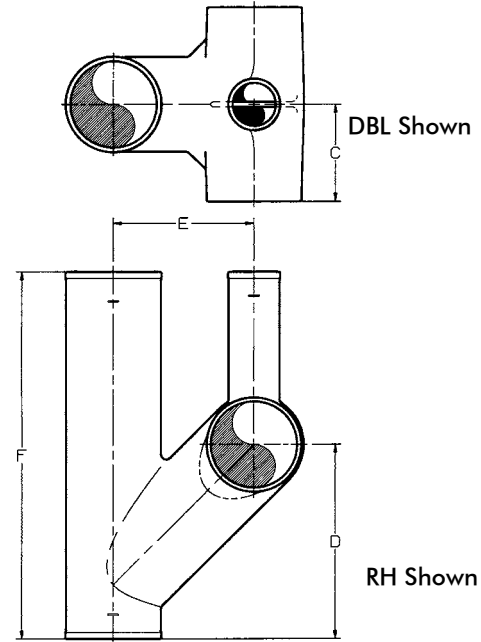
Ship Code	UPCode	Size	Wt.
S	010531	4x4x2x2x4x4	13.8

**\* NOTE:  
PRODUCTS  
ON THIS  
PAGE ARE  
NOT LISTED  
BY I.A.P.M.O.**



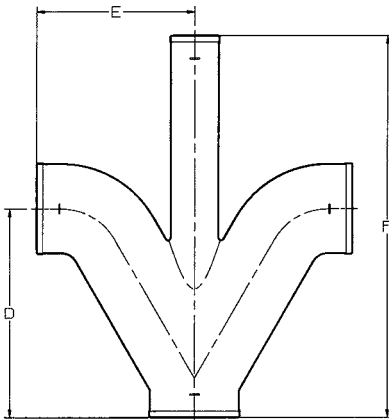
**IAPMO FIGURE SIX DOUBLE, LR, RH  
(Full Baffle)**

Ship Code	UPCode	Size	C	D	E	F	H	Wt.
S	010791	3x2 (R)	4 $\frac{1}{8}$	7 $\frac{7}{16}$	5 $\frac{1}{16}$	11	3 $\frac{7}{16}$	11.4
S	010807	3x2 (L)	4 $\frac{1}{8}$	7 $\frac{7}{16}$	5 $\frac{1}{16}$	11	3 $\frac{7}{16}$	11.4
S	010838	3x2 (Dbl)	4 $\frac{1}{8}$	7 $\frac{7}{16}$	5 $\frac{1}{16}$	11	3 $\frac{7}{16}$	13.0
S	010814	4x2 (L)	4 $\frac{1}{2}$	9	6 $\frac{1}{2}$	13	4	18.0
S	010821	4x2 (R)	4 $\frac{1}{2}$	9	6 $\frac{1}{2}$	13	4	18.0
S	010852	4x2 (Dbl.)	4 $\frac{1}{2}$	9	6 $\frac{1}{2}$	13	4	23.1



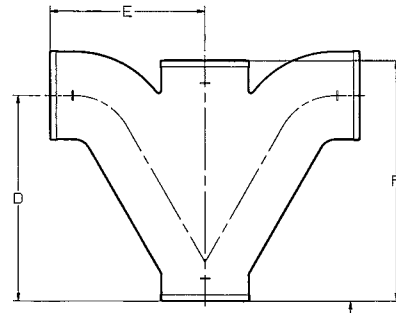
**FIGURE SIX EXTENDED RIGHT/LEFT & DOUBLE  
(Full Baffle)**

Ship Code	UPCode	Size	C	D	E	F	Wt.
S	010869	3x2 (R)	4 $\frac{1}{8}$	7 $\frac{7}{16}$	5 $\frac{1}{16}$	17	17.6
S	382645	3x2 (L)	4 $\frac{1}{8}$	7 $\frac{7}{16}$	5 $\frac{1}{16}$	17	17.6
S	010883	4x2 (R)	4 $\frac{1}{2}$	9	6 $\frac{1}{2}$	17	20.2
S	010876	4x2 (L)	4 $\frac{1}{2}$	9	6 $\frac{1}{2}$	17	20.2
S	010890	4x2 (Dbl)	4 $\frac{1}{2}$	9	6 $\frac{1}{2}$	17	27.0



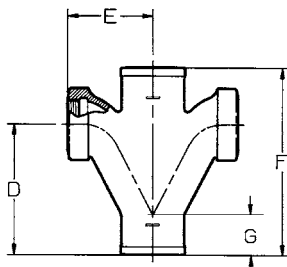
**FIGURE FIVE EXTENDED**

Ship Code	UPCode	Size	D	E	F	Wt.
S	010777	3x2x3	8 $\frac{7}{8}$	6 $\frac{5}{16}$	16 $\frac{7}{8}$	14.5



**IAPMO FIGURE FIVE**

Ship Code	UPCode	Size	D	E	F	Wt.
S	010722	2	6 $\frac{1}{2}$	5	8	5.0
S	010739	3x2x3x3	8 $\frac{7}{8}$	6 $\frac{5}{16}$	9 $\frac{1}{4}$	12.0
S	010746	3	8 $\frac{7}{8}$	6 $\frac{5}{16}$	10 $\frac{3}{8}$	10.5
S	010753	4x2x4x4	10 $\frac{1}{4}$	7 $\frac{3}{4}$	11 $\frac{1}{2}$	19.8
S	010760	4	10 $\frac{1}{4}$	7 $\frac{3}{4}$	12	20.0



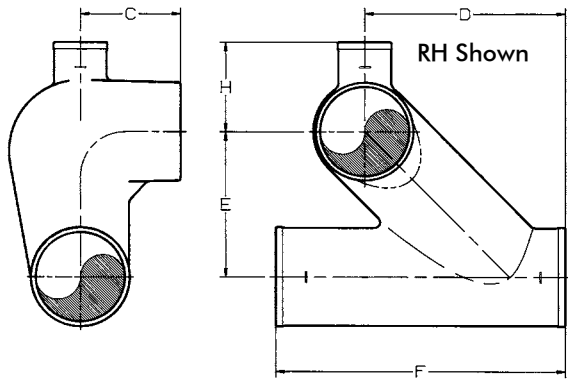
**IAPMO FIGURE ONE w/NO-HUB TOP**

Ship Code	UPCode	Size	D	E	F	G	Wt.
S	010661	2x2x1 $\frac{1}{2}$ x1 $\frac{1}{2}$	4 $\frac{7}{8}$	3 $\frac{3}{16}$	7	1 $\frac{1}{2}$	4.9



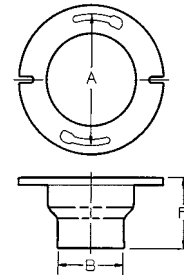
# NO-HUB ASA Group 022 FIGURE FITTINGS & ADAPTERS

RH Shown



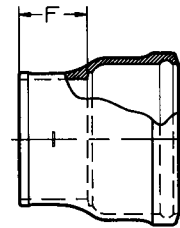
**IAPMO FIGURE EIGHT LH, RH, DBL.  
w/Full Baffle (RH Shown)**

Ship Code	UPCode 670610	Size	C	D	E	F	H	Wt.
S	010906	3x2 (R)	4 <sup>1</sup> / <sub>8</sub>	7 <sup>7</sup> / <sub>16</sub>	5 <sup>1</sup> / <sub>16</sub>	11	3 <sup>7</sup> / <sub>16</sub>	12.5
S	010913	3x2 (L)	4 <sup>1</sup> / <sub>8</sub>	7 <sup>7</sup> / <sub>16</sub>	5 <sup>1</sup> / <sub>16</sub>	11	3 <sup>7</sup> / <sub>16</sub>	12.5
S	010944	3x2 (Dbl)	4 <sup>1</sup> / <sub>8</sub>	7 <sup>7</sup> / <sub>16</sub>	5 <sup>1</sup> / <sub>16</sub>	11	3 <sup>7</sup> / <sub>16</sub>	13.0
S	010920	4x2 (R)	4 <sup>1</sup> / <sub>2</sub>	9	6 <sup>1</sup> / <sub>2</sub>	13	4	19.8
S	010937	4x2 (L)	4 <sup>1</sup> / <sub>2</sub>	9	6 <sup>1</sup> / <sub>2</sub>	13	4	19.8



**9-480 CLOSET FLANGE (Slot & Notch)**

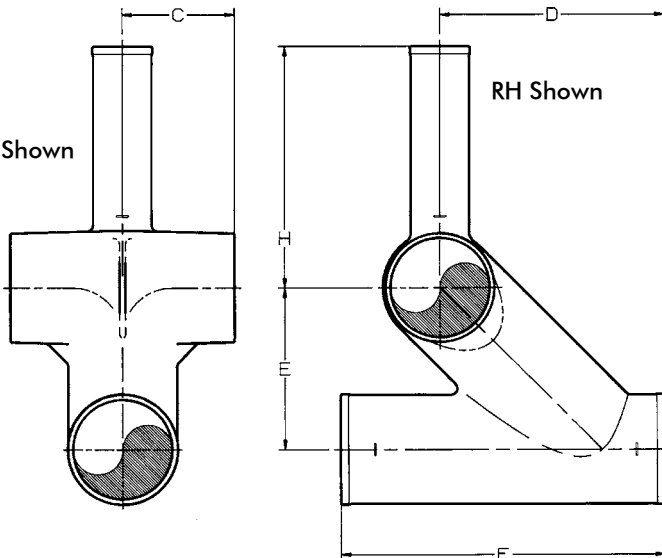
Ship Code	UPCode 670610	Size	A	B	F	Wt.
S	010593	4x3x3 <sup>1</sup> / <sub>2</sub>	6	3 <sup>5</sup> / <sub>16</sub>	3 <sup>1</sup> / <sub>2</sub>	4.1
S	010609	4x4x3 <sup>1</sup> / <sub>2</sub>	6	4 <sup>5</sup> / <sub>16</sub>	3 <sup>1</sup> / <sub>2</sub>	4.0
S	010616	4x4x4	6	4 <sup>5</sup> / <sub>16</sub>	4	4.5
S	383338	4x3x8	6	3 <sup>5</sup> / <sub>16</sub>	8	5.0
S	383345	4x4x8	6	4 <sup>5</sup> / <sub>16</sub>	8	9.0



**HUB ADAPTER  
No-Hub by SV Ty-Seal®**

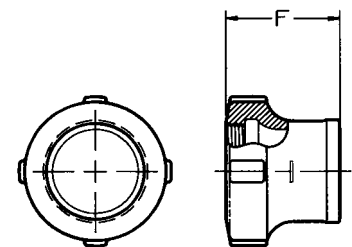
Ship Code	UPCode 670610	Size	F	Wt.
S	009849	2	2	1.9
S	009856	3	2	3.4
S	009863	4	2 <sup>1</sup> / <sub>4</sub>	5.0

DBL Shown



**FIGURE EIGHT EXTENDED LEFT/RIGHT & DOUBLE  
(Full Baffle)**

Ship Code	UPCode 670610	Size	C	D	E	F	H	Wt.
S	010975	4x2 (R)	4 <sup>1</sup> / <sub>2</sub>	9	6 <sup>1</sup> / <sub>2</sub>	13	8	22.8
S	010982	4x2 (L)	4 <sup>1</sup> / <sub>2</sub>	9	6 <sup>1</sup> / <sub>2</sub>	13	8	22.8
S	010999	4x2 (Dbl)	4 <sup>1</sup> / <sub>2</sub>	9	6 <sup>1</sup> / <sub>2</sub>	13	8	23.4



**TAP ADAPTER**

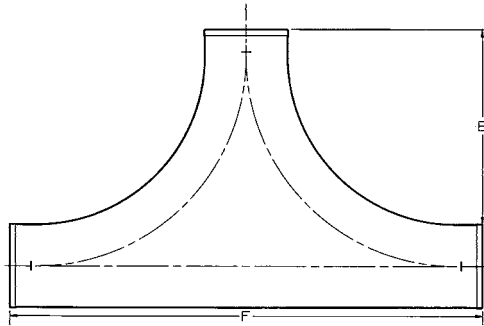
Ship Code	UPCode 670610	Size x IPS Tap	F	Wt.
S	009887	1 <sup>1</sup> / <sub>2</sub> x1 <sup>1</sup> / <sub>2</sub>	2 <sup>5</sup> / <sub>8</sub>	1.3
S	009900	2x1 <sup>1</sup> / <sub>2</sub>	2 <sup>3</sup> / <sub>16</sub>	1.2
S	009917	2x2	2 <sup>5</sup> / <sub>8</sub>	1.6
S	009948	3x2	2 <sup>3</sup> / <sub>16</sub>	1.4

**SHIPPING CODE**

**S = From Stock**

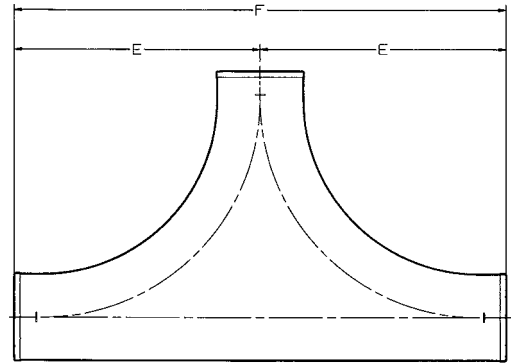
**N = Non-Stock; Check in advance for availability.**





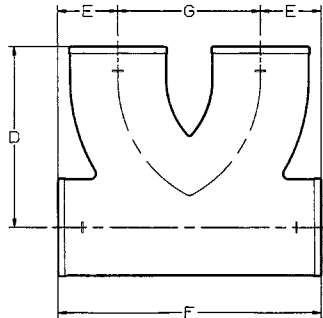
**TWIN CLEANOUT**

Ship Code	UPCode	Size	E	F	Wt.
N	010623	4	9½	18¾	14.2



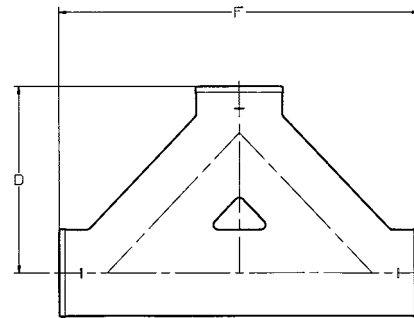
**TWO WAY CLEANOUT  
East Bay Code**

Ship Code	UPCode	Size	E	F	Wt.
S	010630	4	12½	25	26.0



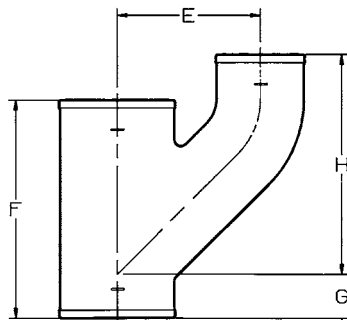
**TWO WAY  
CLEANOUT**

Ship Code	UPCode	Size	D	E	F	G	Wt.
S	010647	3	7¼	2¼	10	5¼	10.5
S	010654	4	8¼	2¾	12	6½	18.3



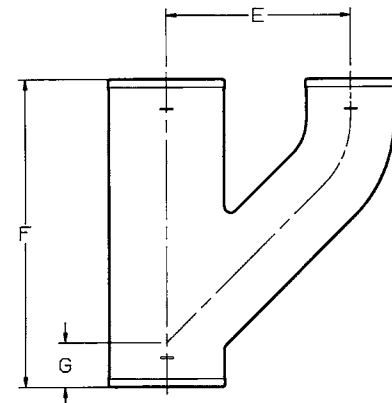
**TWO WAY BAFFLE CLEANOUT**

Ship Code	UPCode	Size	D	F	Wt.
S	011163	3x3x4	9	15	13.0
N	011170	4x3x4	9½	19½	24.0
S	011187	4x4x4	9½	18¾	22.0



**UPRIGHT WYE**

Ship Code	UPCode	Size	E	F	G	H	Wt.
S	008668	2	5½	7	2	8¼	5.0
S	008675	3x2	5½	7	1½	8¾	5.7
S	008682	3	5½	8¾	2¾	8¾	6.7
S	008699	4x2	5½	7	1	8¼	7.8
S	008705	4x3	5½	8¾	1½	8¾	10.0
S	008712	4	6	9¾	2¾	9½	11.0
S	008729	5x2	6¾	8	2	7¾	34.4
N	008750	5	7¾	12½	2¾	11¾	39.5

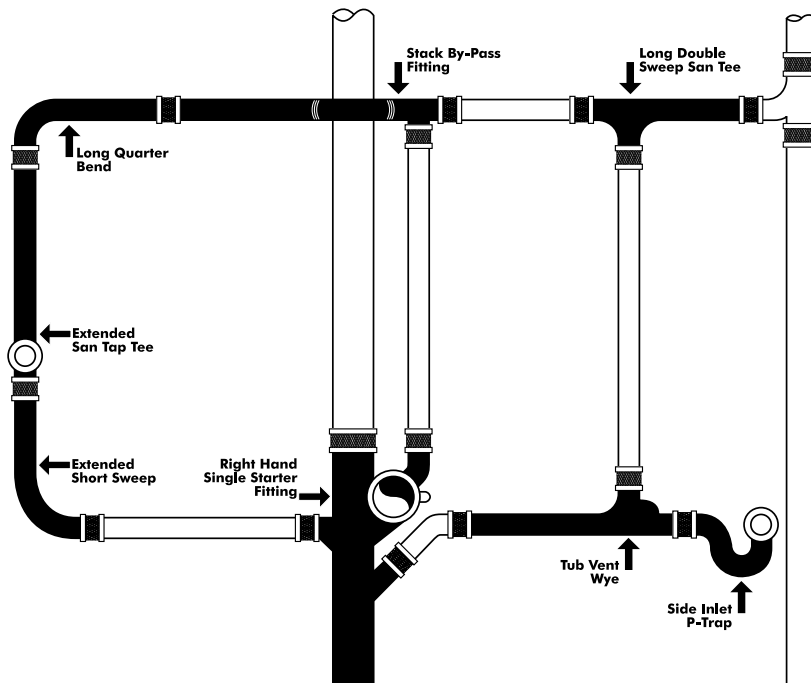


**UPRIGHT WYE  
Wide Center-Florida Special**

Ship Code	UPCode	Size	E	F	G	Wt.
S	011255	3	7	12¼	2¼	11.3
S	011293	4x2	7	10½	1	12.0
S	011279	4	7	12¾	2¾	16.1



## RUFWALL NO-HUB SPECIAL FITTINGS



The **by-pass fitting** permits in-line piping to reduce width of the chase, and individual venting of the lavatories.

**Tub wye fittings** accept waste from two tubs and provide a common vent. They save space, materials and the labor to install duplicate systems.

### NOTE:

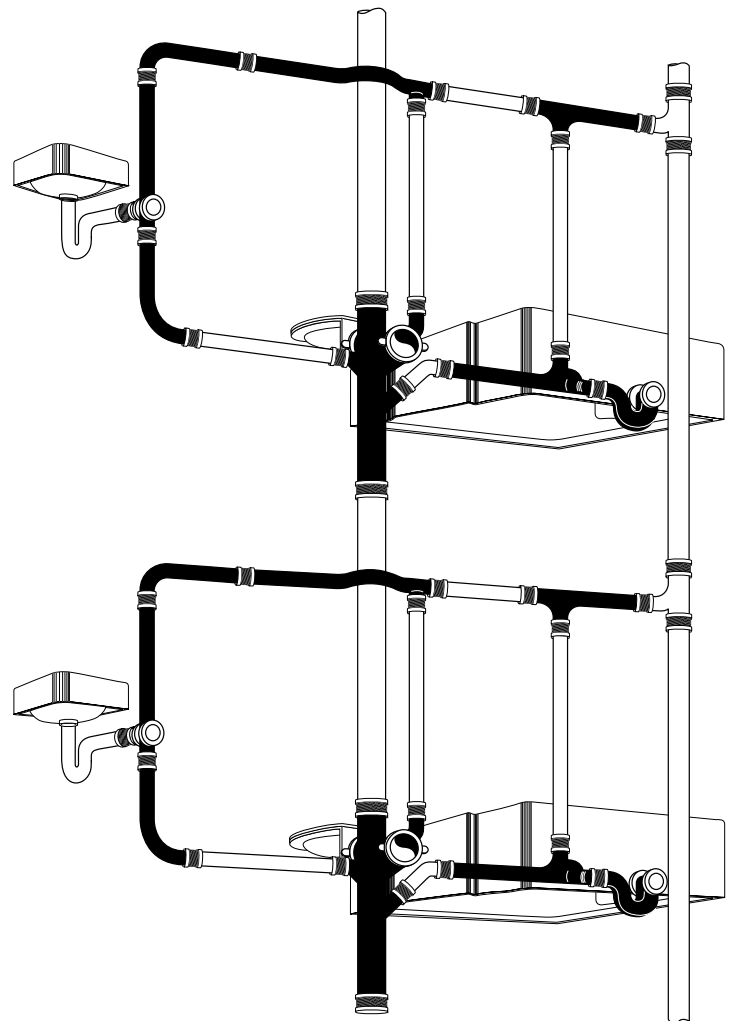
Rufwall fittings are sold and shipped as normal cataloged soil products.

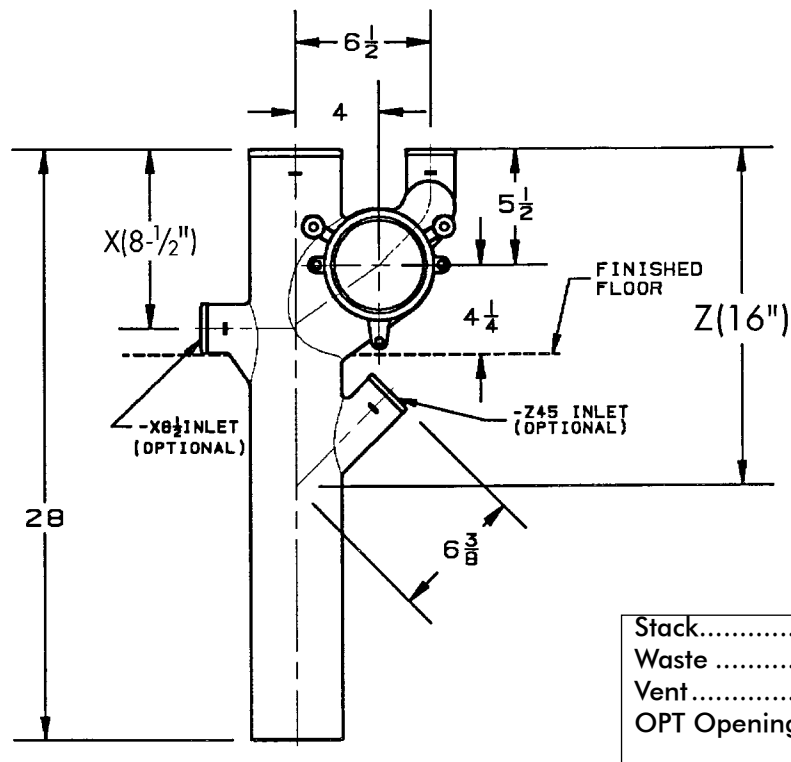
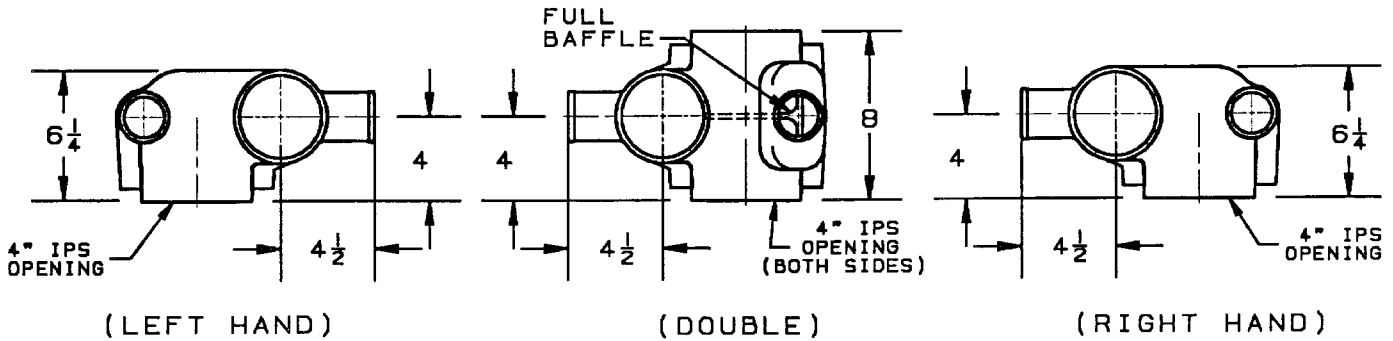
This publication contains the information needed to place orders with your customer service representative.

### RufWall Savings with Back Outlet Fixtures

(Compared with Conventional Piping)

- Fewer floor penetrations
- Eliminates cost of dropped ceilings to conceal pipe
- No scaffolding needed
- One-man installation
- Waist-high venting
- Water closet easier to install...faster





Stack.....	4"
Waste .....	4"
Vent.....	2"
OPT Openings .....	2"

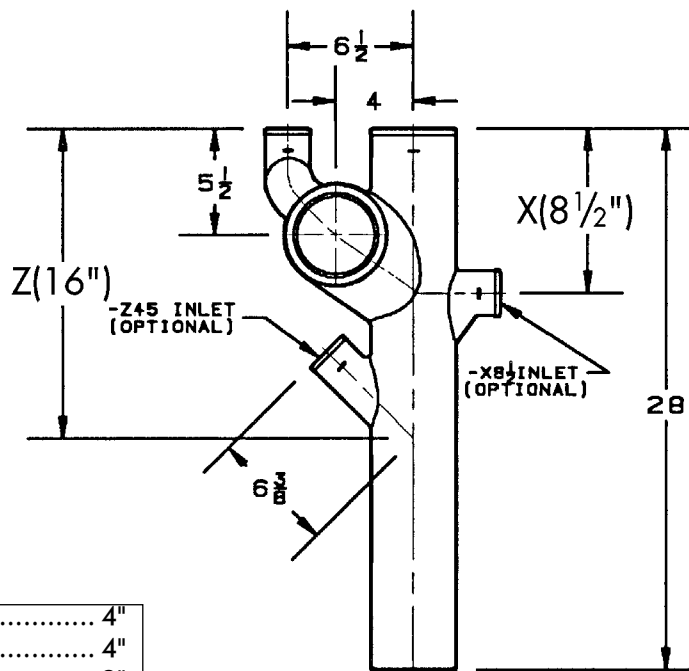
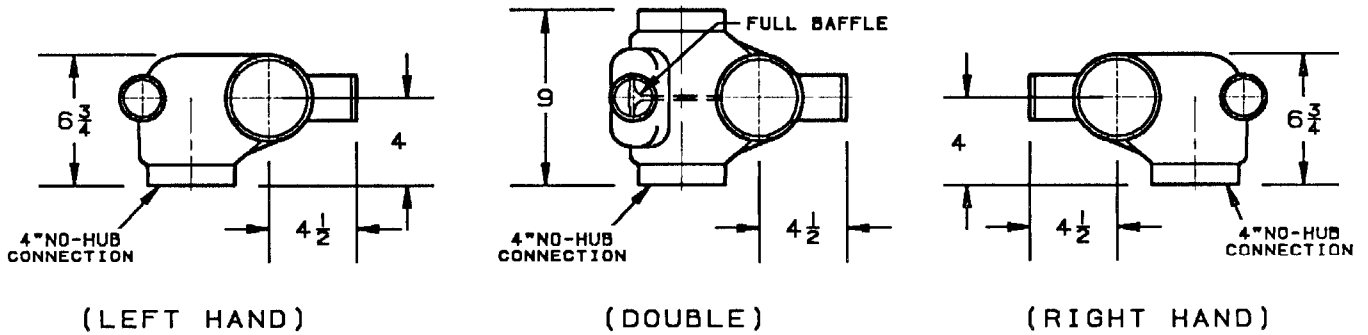
UPCode 670610	(Left Hand) Description	Wt. Lbs.
376101	9-371L (Plain)	27.0
376125	9-371L X 8 1/2	28.5
376149	9-371L-Z45°	28.5
376163	9-371L-X8 1/2 -Z45°	30.0
018360	9-371L-X8 1/2 -Z23 1/2°	30.0

UPCode 670610	(Right Hand) Description	Wt. Lbs.
376095	9-371R (Plain)	27.0
376118	9-371R X 8 1/2	28.5
376132	9-371R-Z45°	28.5
376156	9-371R-X8 1/2 -Z45°	30.0
018353	9-371R-X8 1/2 -Z23 1/2°	30.0

UPCode 670610	(Double) Description	Wt. Lbs.
376071	9-371D (Plain)	35.0
376064	9-371D X 8 1/2	36.0
376088	9-371D-Z45°	39.7
376057	9-371D-X8 1/2 -Z45°	40.0
018186	9-371D-X8 1/2 -Z23 1/2°	40.0



# No-Hub Vertical Starter Fittings



Stack.....	4"
Waste .....	4"
Vent.....	2"
OPT Openings .....	2"

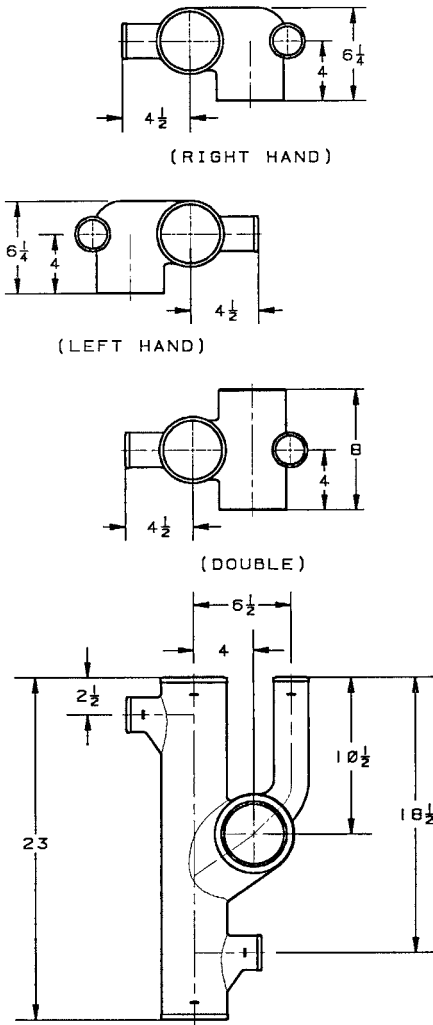
UPCode 670610	(Left Hand) Description	Wt. Lbs.
021339	9-471NHL (Plain)	28.7
021353	9-471NHL X 8 1/2	29.7
021384	9-471NHL-Z45°	29.9
021407	9-471NHL-X 8 1/2 -Z45°	31.4

UPCode 670610	(Right Hand) Description	Wt. Lbs.
021346	9-471NHR (Plain)	28.7
021360	9-471NHR X 8 1/2	29.7
021391	9-471NHR-Z45°	29.5
021414	9-471NHR-X 8 1/2 -Z45°	31.4

UPCode 670610	(Double) Description	Wt. Lbs.
021292	9-471NHD (Plain)	31.6
021308	9-471NHD X 8 1/2	32.9
021322	9-471NHD-Z45°	33.4
297598	9-471NHD-X 8 1/2 -Z45°	37.7

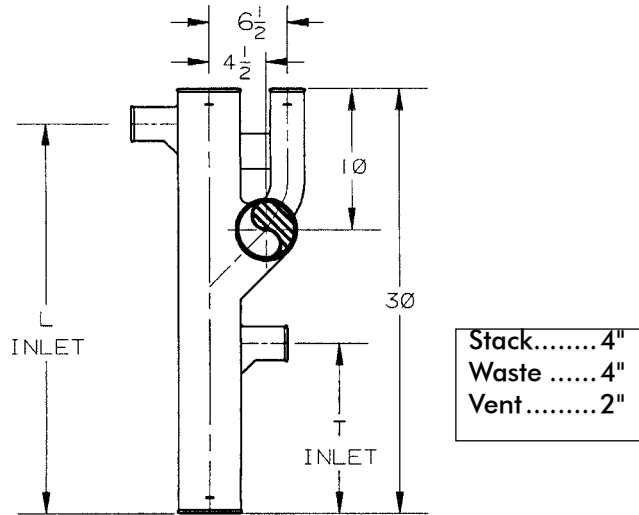
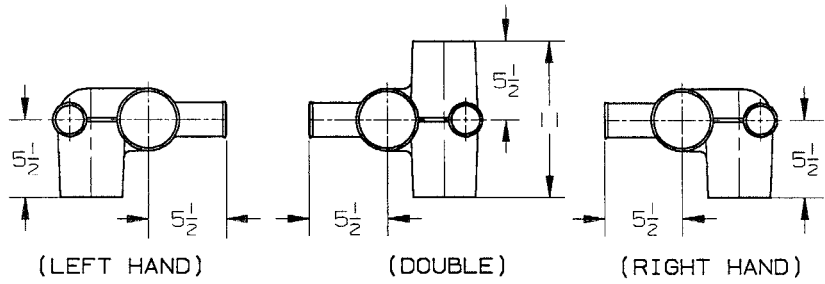


## NEW YORK LONG BARREL NO-HUB VERTICAL STACK STARTER FITTINGS (No Concealed Baffle on Doubles)



**New York Vertical  
Stack Starter Fittings**

UPCode 670610	Description	Wt. Lbs.
019763	9-247-LH	32.8
019787	9-247-D	33.6
019770	9-247-RH	32.8



**New York Vertical  
Stack Starter Fittings (Long Barrel)**

UPCode 670610	(Double) Description	Wt. Lbs.
019534	SSS-19-30D, (Plain)	40.0
390268	SSS-19-30D, T4	38.0
390275	SSS-19-30D, T6 1/2	38.0
390282	SSS-19-30D, L6 1/2	38.0
019589	SSS-19-30D, L12	40.7
019473	SSS-19-30D, T12	40.7
390312	SSS-19-30D, L26 1/2, T6	38.0
019381	SSS-19-30D, L26 1/2, T12	43.7

UPCode 670610	(Left Hand) Description	Wt. Lbs.
019527	SSS-19-30L, (Plain)	37.5
390381	SSS-19-30L, T4	34.0
390398	SSS-19-30L, T6 1/2	34.0
390404	SSS-19-30L, L6 1/2	34.0
390411	SSS-19-30L, L6 1/2, T6 1/2	34.0
019497	SSS-19-30L, L26 1/2	38.2
019572	SSS-19-30L, L12	38.2
019466	SSS-19-30L, T12	38.2
390428	SSS-19-30L, L26 1/2, T4	34.0
390435	SSS-19-30L, L26 1/2, T6 1/2	34.0
019374	SSS-19-30L, L26 1/2, T12	40.6

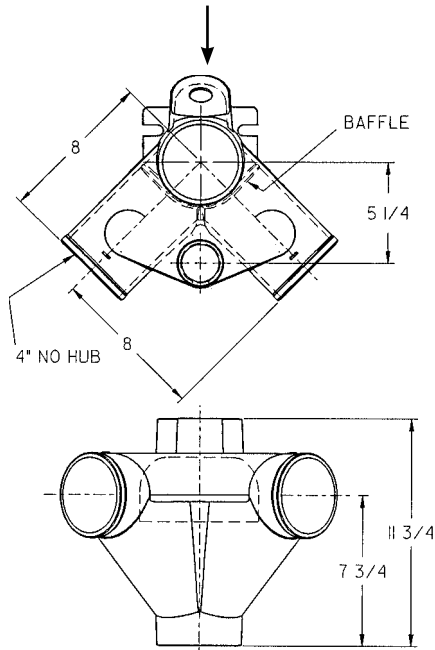
UPCode 670610	(Right Hand) Description	Wt. Lbs.
019510	SSS-19-30R, (Plain)	37.5
390329	SSS-19-30R, T4	34.0
390336	SSS-19-30R, T6 1/2	34.0
390343	SSS-19-30R, L6 1/2	34.0
390350	SSS-19-30R, L6 1/2, T6 1/2	34.0
019480	SSS-19-30R, L26 1/2	38.2
019602	SSS-19-30R, L12	38.2
019459	SSS-19-30R, T12	38.2
019367	SSS-19-30R, L26 1/2, T4	40.6
019367	SSS-19-30R, L26 1/2, T6 1/2	40.6
019367	SSS-19-30R, L26 1/2, T12	40.6



# DOUBLE VERTICAL 90° STARTER FITTINGS

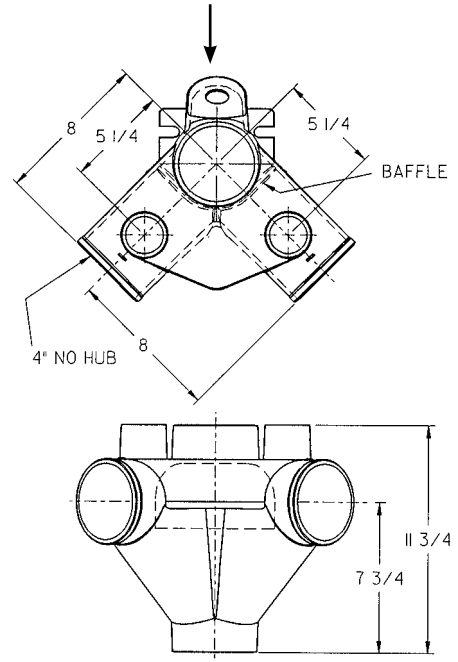
Note: Fully Baffled

Auxiliary Tapping When Required Use Suffix "A"



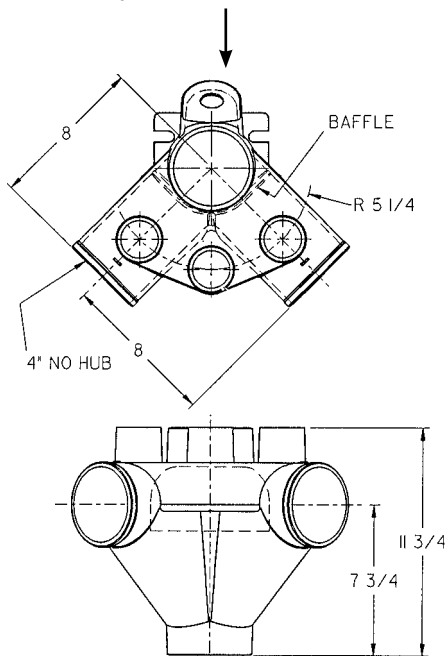
UPCode 670610	Description	Wt. Lbs.
018667	9-502 (Plain)	30.0
018650	9-502-A	30.0

Auxiliary Tapping When Required Use Suffix "A"



UPCode 670610	Description	Wt. Lbs.
018681	9-504 (Plain)	30.0
018728	9-504-A	30.0

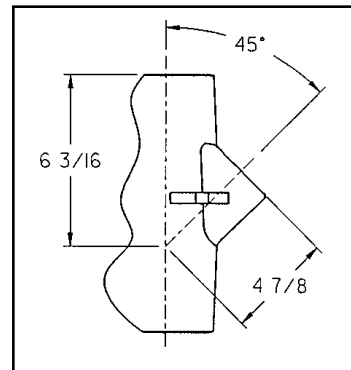
Auxiliary Tapping When Required Use Suffix "A"



UPCode 670610	Description	Wt. Lbs.
018698	9-505 (Plain)	30.0
376026	9-505-A	30.0

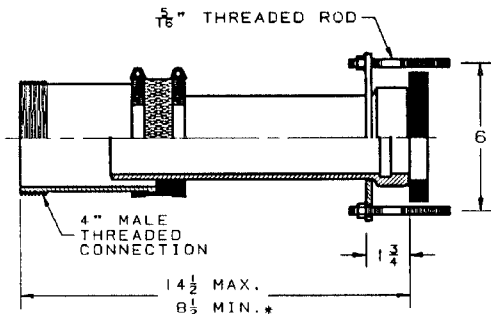
Stack.....	4"
Waste .....	4"
Vent.....	2"
OPT Tap "A".....	2"

### TAPPING DETAIL AUXILIARY BOSS

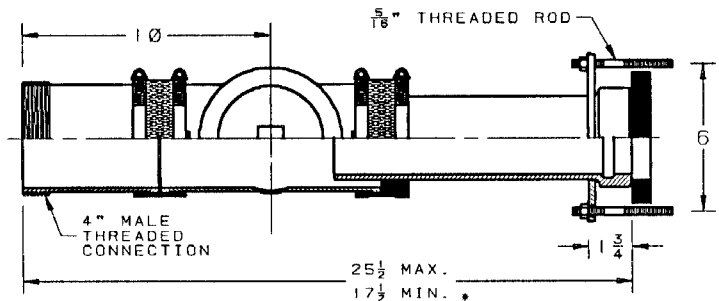




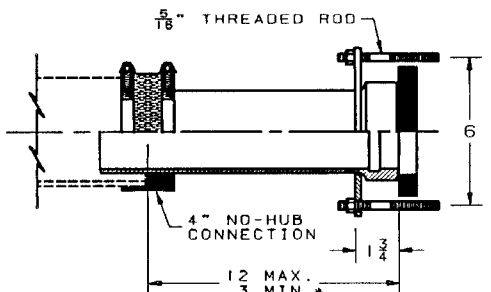
# Waste Connections, PINNED PLUGS



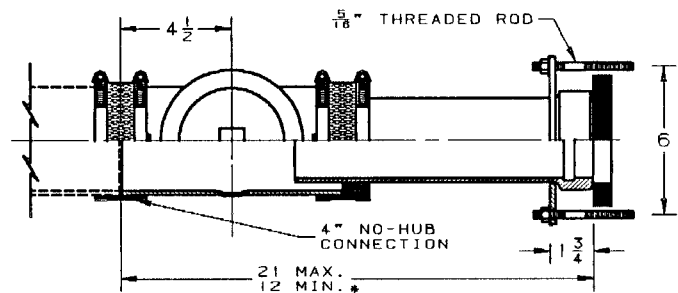
**9-300-T**  
Threaded Connection



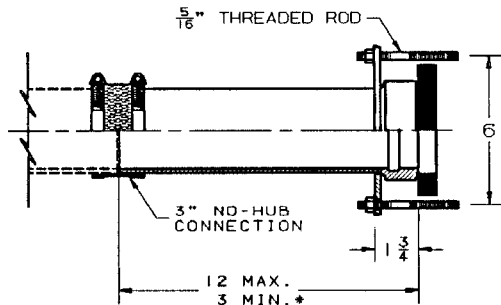
**9-300-C4"**  
Threaded Connection with Cleanout



**9-300-NH-4"**  
No-Hub Connection

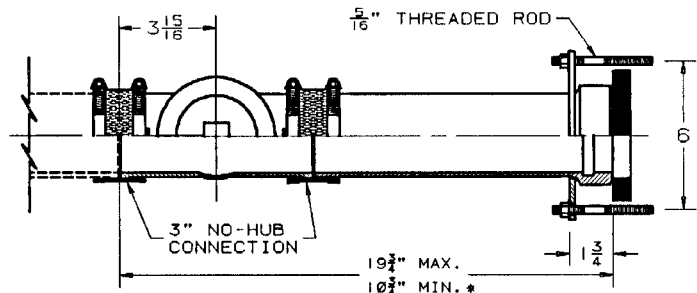


**9-300-CN-4"**  
No-Hub Connection with Cleanout



**9-300-NH-3"**  
No-Hub Connection

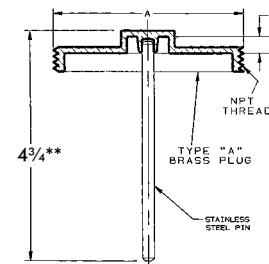
\* Length under max may require field cut



**9-300-CN-3"**  
No-Hub Connection with Cleanout

UPCode 670610	Description	Wt. Lbs.
019824	9-300-T	13.0
019848	9-300-C-4"	23.5
019817	9-300-NH-4"	8.5
376040	9-300-CN-4"	19.0
019855	9-300-NH-3"	8.5
019831	9-300-CN-3"	19.0

## Pinned Cleanout Plug

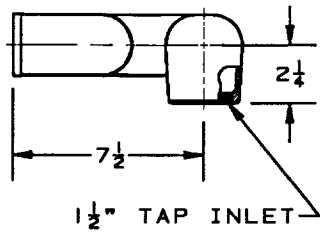


\*\* Pin length will require field cut when used with less than 4" waterway.

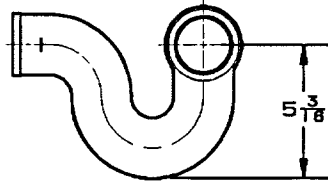
UPCode 670610	Size A	Wt. Lbs.
243090	2 1/2"	1.0
300229	3"	0.7
244196	3 1/2"	1.0
243106	4"	0.9



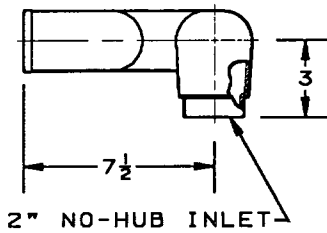
## Threaded or No-Hub Side Inlet P-Traps, Transition Couplings



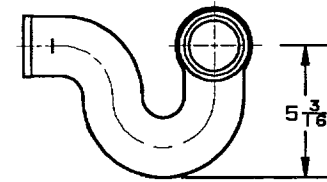
1 1/2" TAP INLET



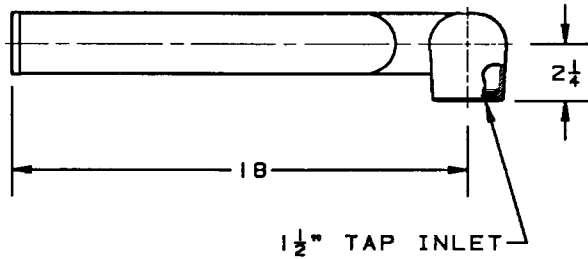
9-344  
(LEFT HAND)



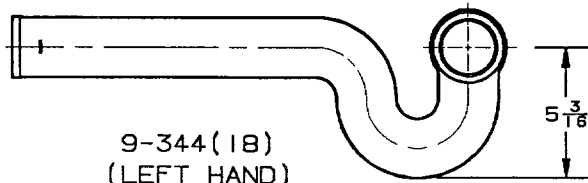
2" NO-HUB INLET



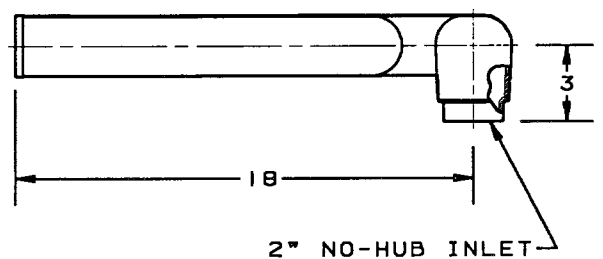
9-345  
(LEFT HAND)



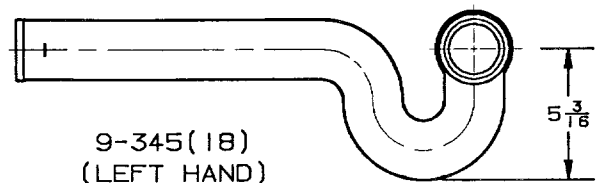
1 1/2" TAP INLET



9-344 (18)  
(LEFT HAND)



2" NO-HUB INLET



9-345 (18)  
(LEFT HAND)

UPCode 670610	Description	Wt. Lbs.
019220	9-344-LH	6.0
019237	9-344-RH	6.0
019244	9-344-LH (18)	9.0
019251	9-344-RH (18)	9.0

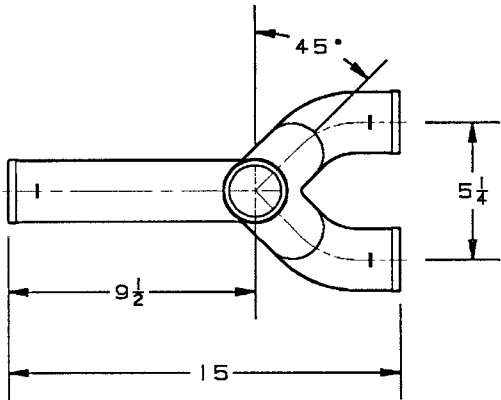
UPCode 670610	Description	Wt. Lbs.
019268	9-345-LH	5.1
019275	9-345-RH	5.1
019282	9-345-LH (18)	8.1
019299	9-345-RH (18)	8.1



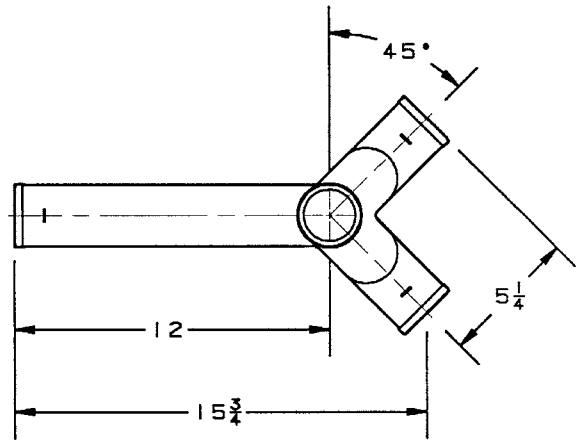
### Cast Iron-To-Copper Transition Couplings

UPCode 670610	Size	Wt. Lbs.
006152	2x1 1/2	0.4
006169	2x2	0.3
006176	3x1 1/2	0.6
006183	3x2	0.6
006190	3x3	0.4

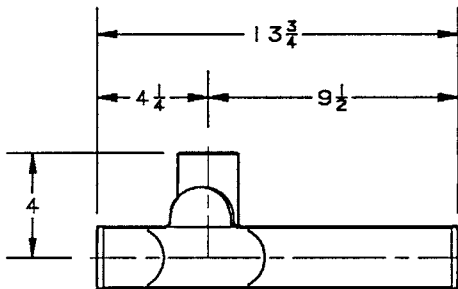
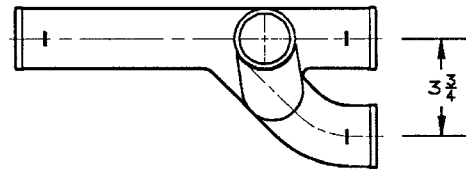
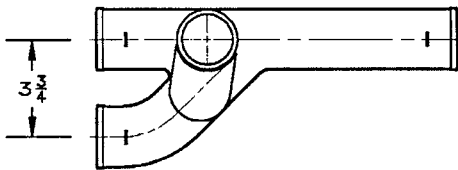
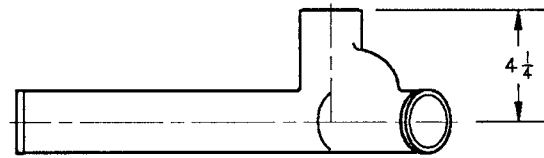
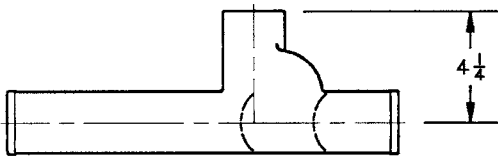




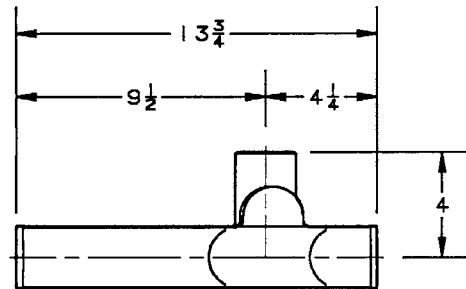
**9-474**



**9-484**



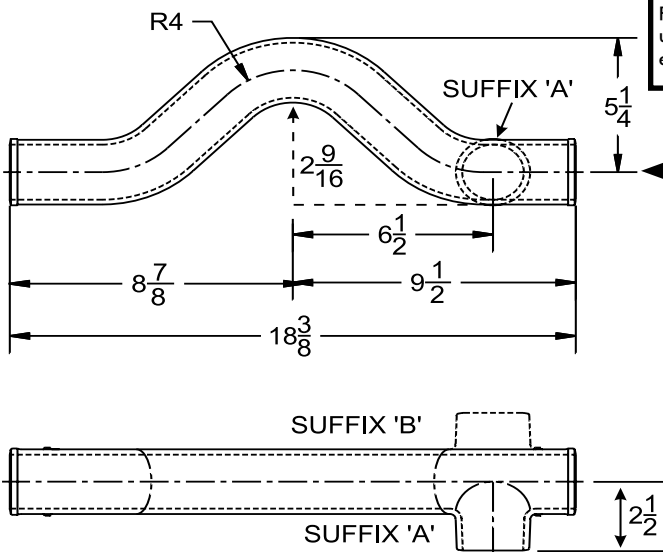
**9-494-LH**



**9-494-RH**

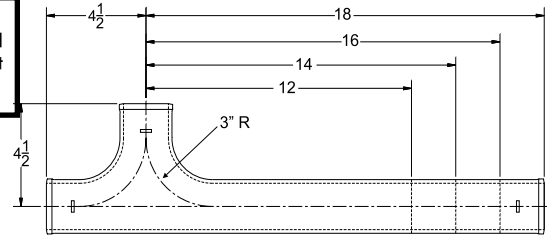
UPCode 670610	Description	Wt. Lbs.
018155	9-474	9.2
018162	9-484	8.2
018131	9-494-LH	7.9
018148	9-494-RH	7.9

## By-Pass Fitting



To Designate Suffix:  
Place fitting with bend  
up and look into short  
end. (See arrow)

## Double Sweep San Tee



### 9-301

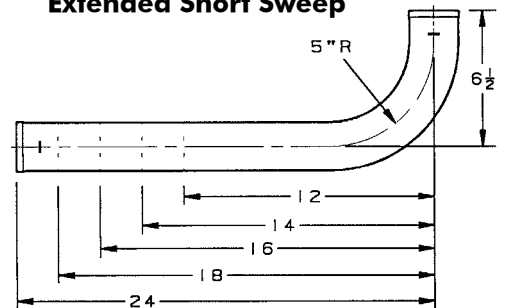
UPCode 670610	Description	Wt. Lbs.
019114	9-301(2x12)	6.1
019121	9-301(2x14)	6.7
019138	9-301(2x16)	7.1
019145	9-301(2x18)	8.0
062868	9-301(2x24)	10.3

### 9-473

UPCode 670610	Description	Wt. Lbs.
018735	9-473	10.1
018742	9-473-A	10.6
018759	9-473-B	10.6
018766	9-473-A/B	11.1

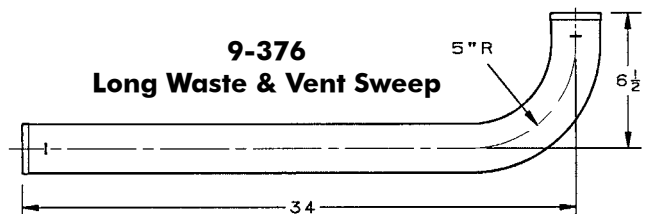
### 9-291

## Extended Short Sweep

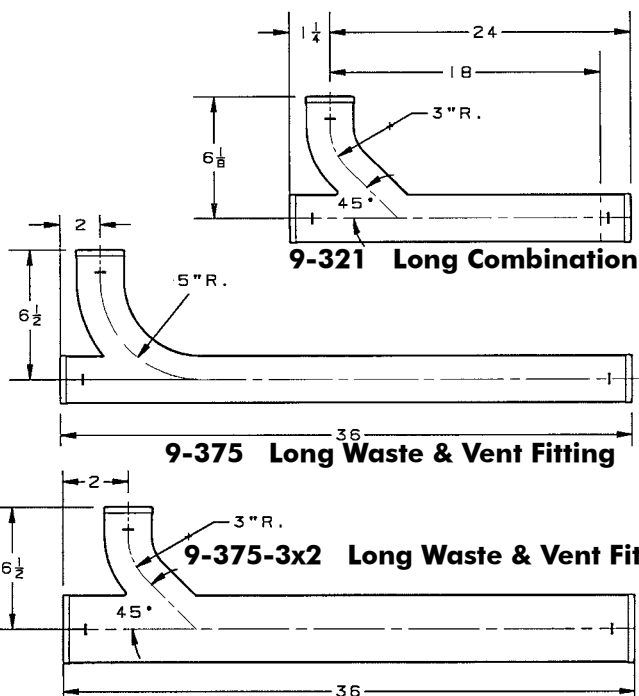


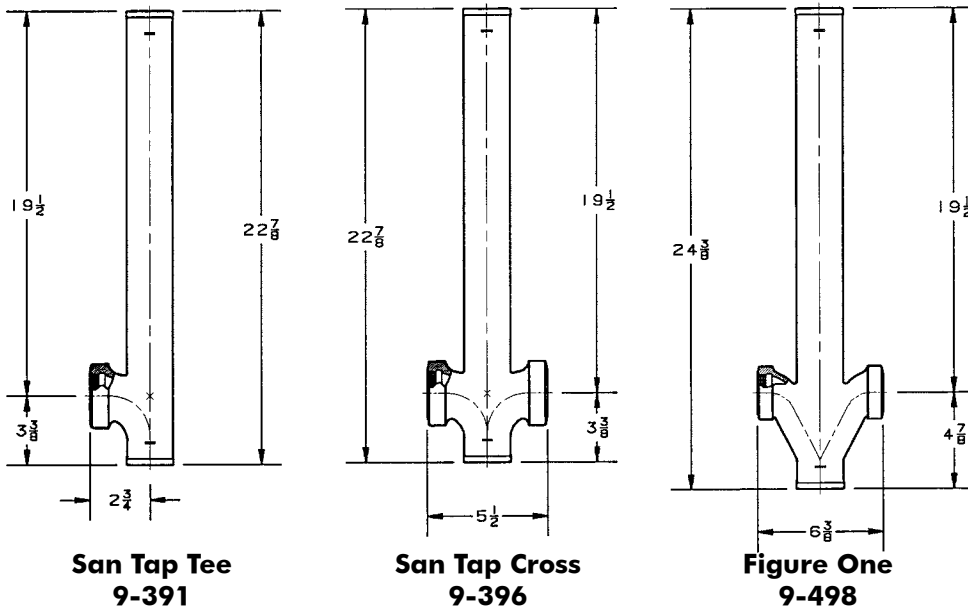
### 9-376

## Long Waste & Vent Sweep



UPCode 670610	Description	Wt. Lbs.
019077	9-291 (2x12)	5.0
019084	9-291 (2x14)	5.1
019091	9-291 (2x16)	6.1
019107	9-291 (2x18)	7.0
019060	9-291 (2x24)	11.4
020431	9-376 (2x34)	15.0
019152	9-321 (2x18)	7.1
019053	9-321 (2x24)	14.0
020424	9-375 (2x36)	17.0
020417	9-375 (3x2x36)	26.0

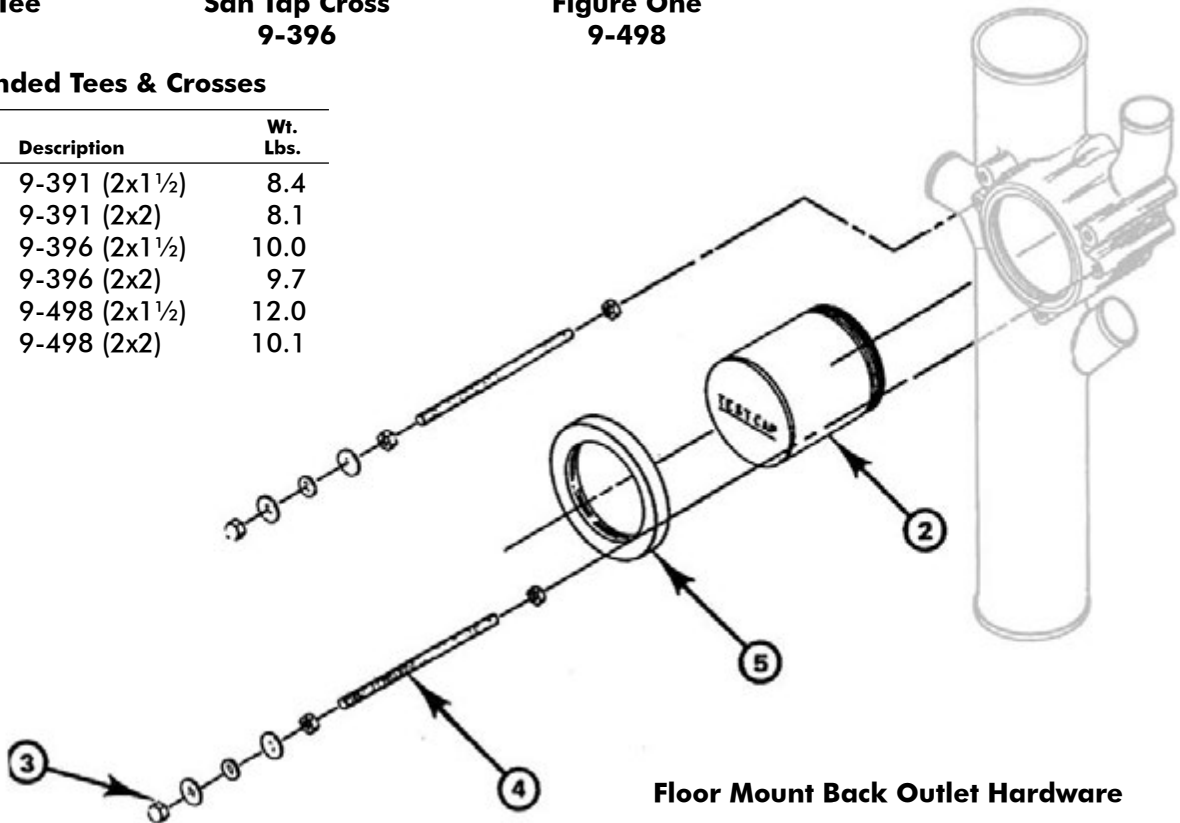




Fitting **NOT** furnished, shown for position only.

### Extended Tees & Crosses

UPCode 670610	Description	Wt. Lbs.
019305	9-391 (2x1½)	8.4
019312	9-391 (2x2)	8.1
019329	9-396 (2x1½)	10.0
019336	9-396 (2x2)	9.7
019343	9-498 (2x1½)	12.0
019350	9-498 (2x2)	10.1



### Floor Mount Back Outlet Hardware

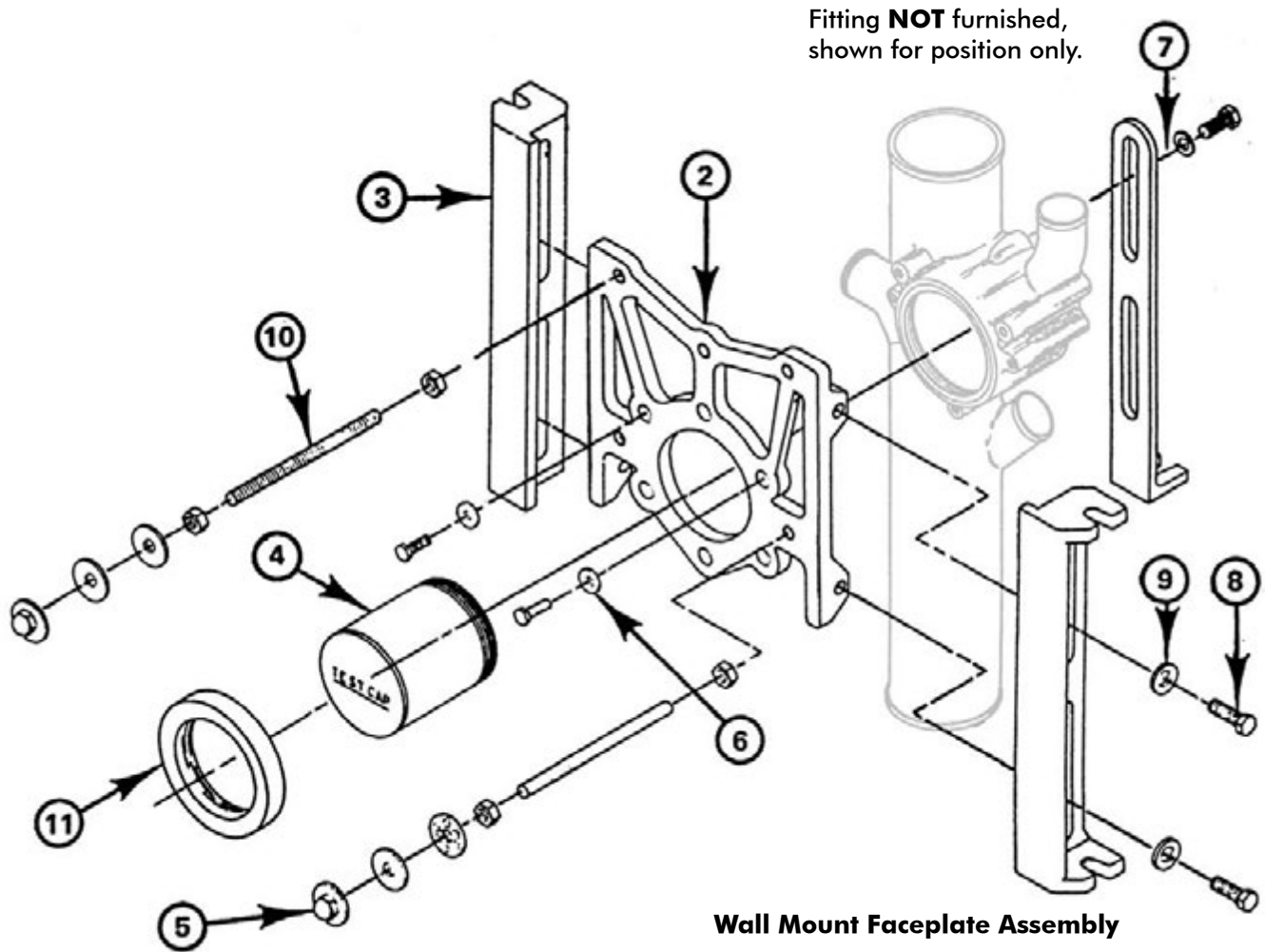
UPCode 670610	Description	Wt. Lbs.
376033	FMBO Hardware Kit	3.2

### 4FA Finish Hardware

- (1) GI-MB Neo Sponge Bowl Gasket
- (2) Chrome Plated Cap Nut
- (2) 7/16" I.D.x1" O.D. Flat Washer
- (2) 7/16" I.D.x1" O.D. Fiber Washer
- (2) 7/16" I.D.x1" O.D. Chrome Plated Washer
- (4) 3/8"-16 Hex Nut

### Composed of:

Dwg. No.	Quantity	Description
2	(1)	300 C-11 Plastic Nipple
3, 5	(1)	4FA Finish Hardware Bag
4	(2)	R31, 3/8"-16 NC2x14" Lg. Thd. Rod
	(1)	LD4 Wadetite Sealent

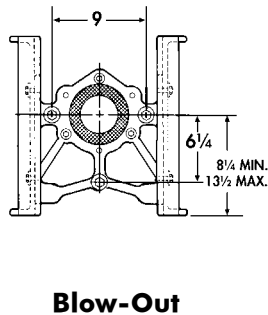
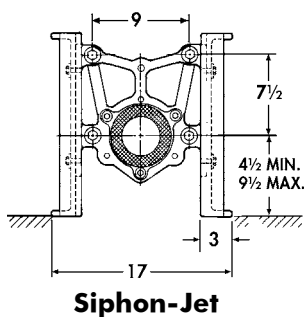


**Wall Mount Faceplate Assembly**

UPCode	Description	Wt. Lbs.
670610		
376187	360-FP Faceplate Assembly	36.6

**Composed of:**

Dwg. No.	Quantity	Description
2	(1)	360-FP Carrier Faceplate
3	(2)	300-F Support Foot
4	(1)	300 C-11 Plastic Nipple
6, 8, 9	(1)	47R Hardware Bag
5, 11	(1)	IFA Finish Hardware Bag
10	(4)	R18, 5/8" -11NC2x15" Lg. Thd. Rod
7	(1)	360 Anchor Foot Assembly



- 47R Hardware
- (4) B-214H 1/2-13NC2 x 1 1/4" Long Hex Hd. Bolt
  - (8) 210 5/16" I.D. x 1-3/8" O.D. Flat Washer
  - (3) B211H 3/8-16NC2 x 1 1/4" Long Hex Hd. Bolt
  - (3) 203 7/16" I.D. x 1" O.D. Flat Washer
  - (4) 5/8"-11 Hex Nut

- IFA Finish Hardware
- (1) GI-MB Neo Sponge Bowl Gasket
  - (4) Chrome Plated Washer Nut
  - (4) 1 1/16" I.D. x 1-3/4" O.D. Fiber Washer
  - (1) 5/8"-11 NC2 Bowl Saver Nut
  - (3) 1 1/16" I.D. x 1-3/4" O.D. Steel Washer
  - (4) 5/8"-11 Hex Nut



**NO-HUB VALU-PAKS  
FULL CRATES**

**TYLER VALU-PAKS**

Heavy shrink wrapped for stability and packaged on pallets for easier movement, these TYLER VALU-PAKS help simplify ordering and inventory. They take less space in your storage yard, too. VALU-PAKS are priced less than an equal number of individual fittings.

**NO-HUB FULL CRATES**

UPC #	Ship Code	Size	Valu-Pak Quantity	Weight
670610				

**1/4 BEND**

006848	S	1½	1500	2850
006855	S	2	1050	2940
006862	S	3	460	2254
006879	S	4	240	1848
006893	S	6	90	1170
006909	S	8	40	908

**SHORT SWEEP**

007111	S	2	650	2730
007128	S	3	320	1984
007135	S	4	170	1632
007159	S	6	70	1345
007166	S	8	30	900

**LONG SWEEP**

007234	S	6	50	1045
--------	---	---	----	------

**1/8 BEND**

007333	S	2	1540	3234
007340	S	3	720	2376
007357	S	4	375	1650
007388	S	8	65	975

**1/16 BEND**

007494	S	2	2000	2600
--------	---	---	------	------

**SAN TEE**

007579	S	2	720	2448
007593	S	3x2	440	2156
007623	S	4x3	240	1992

**SAN TAP TEE**

007999	S	2x1½	780	1950
--------	---	------	-----	------

UPC #	Ship Code	Size	Valu-Pak Quantity	Weight
670610				

**WYE**

008217	S	2	750	2700
008262	S	4	160	1648
008293	N	5x4	85	1071
008347	S	6x5	60	1062
008385	S	8x4	35	763
008392	S	8x5	30	765
008408	S	8x6	30	849
008415	S	8	25	995

**COMBINATION WYE**

008781	S	2	560	2520
008804	S	3	240	2016
008835	S	4	105	1523

**TEST TEE with Type "A" Brass Plug**

011736	N	2-2	800	2400
011743	S	3-3	300	1650
011750	N	4-4	180	1872
011774	S	6-6	60	1236
011781	S	8-8	30	1017

**REDUCER**

009672	S	3x2	1470	1764
--------	---	-----	------	------

**P-TRAP**

010128	S	2	550	2585
--------	---	---	-----	------



**TYLER VALU-PAKS**

Heavy shrink wrapped for stability and packaged on pallets for easier movement, these TYLER VALU-PAKS help simplify ordering and inventory. They take less space in your storage yard, too. VALU-PAKS are priced less than an equal number of individual fittings.

**NO-HUB - 1/2 CRATES**

UPC #	Ship Code	Size	Valu-Pak Quantity	Weight
<b>1/4 BEND</b>				
006848	S	1½	750	1425
006855	S	2	525	1470
006862	S	3	230	1127
006879	S	4	120	924
006893	S	6	45	590
<b>1/4 BEND w/2" Heel</b>				
006947	S	3	175	950
<b>1/4 BEND TAPPED</b>				
006985	S	2x1½	800	1450
<b>SHORT SWEEP</b>				
007111	S	2	325	1365
007128	S	3	160	992
007135	S	4	85	816
<b>LONG SWEEP</b>				
007197	S	2	210	1117
007203	S	3	105	981
007210	S	4	65	802
<b>1/8 BEND</b>				
007326	S	1½	1050	1260
007333	S	2	770	1617
007340	S	3	360	1188
007357	S	4	187	823
007371	S	6	75	719
<b>1/16 BEND</b>				
007494	S	2	1000	1300
007500	S	3	440	1225
007517	S	4	270	950
<b>SAN TEE</b>				
007555	S	1½	500	990
007562	S	2x1½	350	1200
007579	S	2	360	1224
007593	S	3x2	220	1078
007609	S	3	160	970
007616	S	4x2	150	908
007623	S	4x3	120	996
007630	S	4	90	823

UPC #	Ship Code	Size	Valu-Pak Quantity	Weight
<b>SAN TAP TEE</b>				
007999	S	2x1½	390	1092
008002	S	2x2	400	1240
<b>WYE</b>				
008217	S	2	375	1350
008224	S	3x2	240	1003
008231	S	3	175	895
008248	S	4x2	150	892
008255	S	4x3	115	855
008262	S	4	80	824
008330	S	6x4	40	719
008354	S	6	25	640
<b>UPRIGHT WYE</b>				
008668	S	2	225	1130
<b>COMBINATION WYE</b>				
008781	S	2	280	1260
008798	S	3x2	200	1016
008804	S	3	120	1008
008811	S	4x2	130	920
008828	S	4x3	75	726
008835	S	4	52	754
<b>SAN CROSS</b>				
009122	S	4	55	639
<b>TEST TEE less plug</b>				
009429	S	2-2	500	1485
009436	S	3-3	190	1030
009443	S	4-4	100	860
<b>REDUCER</b>				
009665	N	2x1½	1300	1168
009672	S	3x2	735	882
009689	S	4x2	500	1280
009696	S	4x3	450	1200
<b>BLIND PLUG</b>				
010043	S	2	2500	2188
010050	S	3	1200	1615
010067	S	4	735	1535
<b>P-TRAP</b>				
010128	S	2	275	1293
010135	S	3	95	889
010142	S	4	45	730



# SV BUNDLED CAST IRON SOIL PIPE AND SV VALU-PAKS FULL CRATES

## BUNDLED SV PIPE, SINGLE HUB

3½ - FOOT			5 - FOOT			10 - FOOT		
Size	Pcs.	Wt	Size	Pcs.	Wt.	Size	Pcs.	Wt
2	102	1530	2x5	102	2050	2x10	36	1296
<b>3</b>	<b>60</b>	<b>1380</b>	<b>3x5</b>	<b>60</b>	<b>1873</b>	<b>3x10</b>	<b>36</b>	<b>1885</b>
4	46	1391	4x5	46	1947	4x10	27	2067
<b>5</b>	<b>32</b>	<b>1260</b>	<b>5x5</b>	<b>32</b>	<b>1776</b>	<b>5x10</b>	<b>24</b>	<b>2344</b>
6	24	1095	6x5	24	1506	6x10	18	2320
8	15	1080	<b>8x5</b>	<b>15</b>	<b>1520</b>	<b>8x10</b>	<b>15</b>	<b>2870</b>
10	8	863	10x5	8	1220	10x10	8	2190
<b>12</b>	<b>6</b>	<b>825</b>	<b>12x5</b>	<b>6</b>	<b>1160</b>	<b>12x10</b>	<b>6</b>	<b>1970</b>
15	4	751	15x5	4	1060	15x10	4	1988

\* **NOTICE:** All references to "weights" in this catalog section are averages and refer to SHIPPING WEIGHT ONLY. Actual weights may vary in accordance with dimensional tolerances.

## TYLER VALU-PAKS

Heavy shrink wrapped for stability and packaged on pallets for easier movement, these TYLER VALU-PAKS help simplify ordering and inventory. They take less space in your storage yard, too. VALU-PAKS are priced less than an equal number of individual fittings.

### SV (SERVICE WEIGHT) FULL CRATES

UPC #	Ship Code	Size	Valu-Pak Quantity	Weight	UPC #	Ship Code	Size	Valu-Pak Quantity	Weight
670610					670610				
<b>1/4 BEND</b>					<b>WYE</b>				
000341	N	2	525	2625	001560	S	2	300	2470
000358	N	3	275	2200	001591	S	4x2	135	1825
000365	S	4	150	2020	001607	S	4x3	110	1870
000389	N	6	55	1265	001614	S	4	80	1510
000396	S	8	30	1230	001645	S	5x4	55	1045
<b>1/8 BEND</b>					<b>COMBINATION WYE</b>				
000518	S	2	670	2680	001713	S	8x4	25	1125
000525	S	3	340	2450	001720	S	8x5	20	920
000532	S	4	170	1700	001737	S	8x6	20	1060
000556	S	6	85	1530	<b>P-TRAP</b>				
000563	S	8	35	1190	004486	S	2	350	2520
<b>1/16 BEND</b>					<b>2-253 PLAIN END CLOSET BEND</b>				
000624	S	4	220	1980	025528	S	4x4x16	110	1456
<b>LONG SWEEP</b>					<b>2-253 NORTHEAST SPECIAL SERIES CLOSET BEND with 1½" or 2" Side Tap</b>				
001041	S	2	265	2190	025573	S	4x6x16	90	1440
001065	S	4	85	1770	025795	S	4x12x12	80	1232
001096	S	8	15	810	025856	S	4x16x16	50	1100
<b>SHORT SWEEP</b>					<b>2-253 NORTHEAST SPECIAL SERIES CLOSET BEND with 1½" or 2" Side Tap</b>				
001102	S	2	425	2620	025962	S	4x18x18	50	1225
001126	S	4	125	1820	<b>2-253 NORTHEAST SPECIAL SERIES CLOSET BEND with 1½" or 2" Side Tap</b>				
001140	S	6	50	1250	025917	S	4x16x16T2-1½	50	1100
001157	S	8	25	1200	284789	S	4x16x16T4-1½	50	1350
<b>SAN TEE</b>									
001317	S	4x2	135	1755					
001324	S	4x3	95	1425					
001331	S	4	90	1530					



**TYLER VALU-PAKS**

Heavy shrink wrapped for stability and packaged on pallets for easier movement, these TYLER VALU-PAKS help simplify ordering and inventory. They take less space in your storage yard, too. VALU-PAKS are priced less than an equal number of individual fittings.

**SV (SERVICE WEIGHT) 1/2 CRATES**

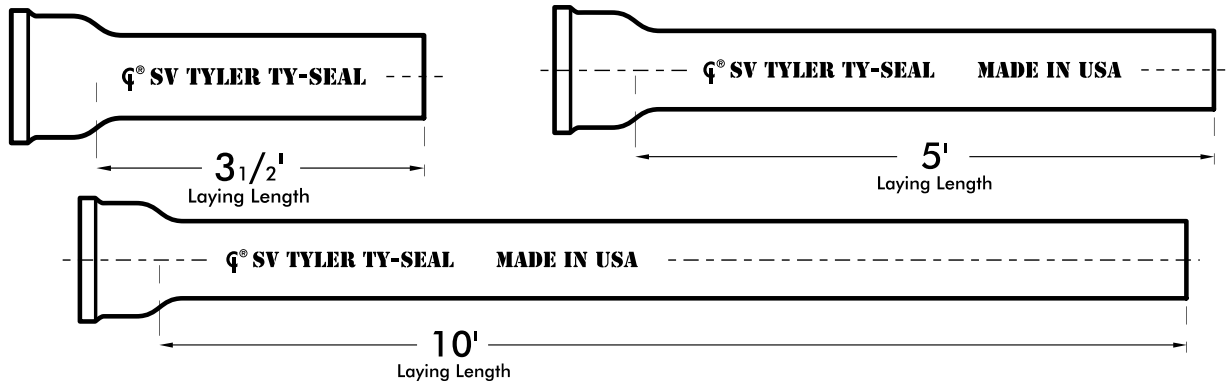
UPC #	Ship Code	Size	Valu-Pak Quantity	Weight
<b>1/4 BEND</b>				
000341	S	2	262	1310
000358	S	3	137	1096
000365	S	4	75	1010
000389	S	6	27	621
<b>1/8 BEND</b>				
000518	S	2	335	1340
000525	S	3	170	1190
000532	S	4	85	850
000556	S	6	42	756
<b>1/16 BEND</b>				
000600	S	2	355	1320
000617	S	3	180	1065
000624	S	4	110	990
<b>LONG SWEEP</b>				
001041	S	2	133	1095
001058	S	3	70	840
001065	S	4	43	885
001089	S	6	18	612
<b>REDUCING LONG SWEEP</b>				
001195	S	4x3	45	840
<b>SHORT SWEEP</b>				
001102	S	2	213	1310
001119	N	3	100	1000
001126	S	4	62	868

UPC #	Ship Code	Size	Valu-Pak Quantity	Weight
<b>SAN TEE</b>				
001317	S	4x2	67	871
001324	S	4x3	47	705
001331	S	4	45	765
<b>WYE</b>				
001560	S	2	150	1235
001577	S	3x2	95	915
001584	S	3	70	882
001591	S	4x2	67	871
001607	S	4x3	55	935
001614	S	4	40	755
001683	S	6x4	21	577
001706	S	6	14	512
<b>COMBINATION WYE</b>				
001997	S	4x2	57	855
002000	S	4x3	36	636
002017	S	4	33	840
002079	S	6x4	18	558
<b>REDUCER</b>				
003588	S	3x2	230	1150
003595	S	4x2	160	988
003601	S	4x3	135	887
003649	S	6x4	70	759
<b>P-TRAP</b>				
004486	S	2	175	1260
004493	S	3	67	871
004509	S	4	38	673





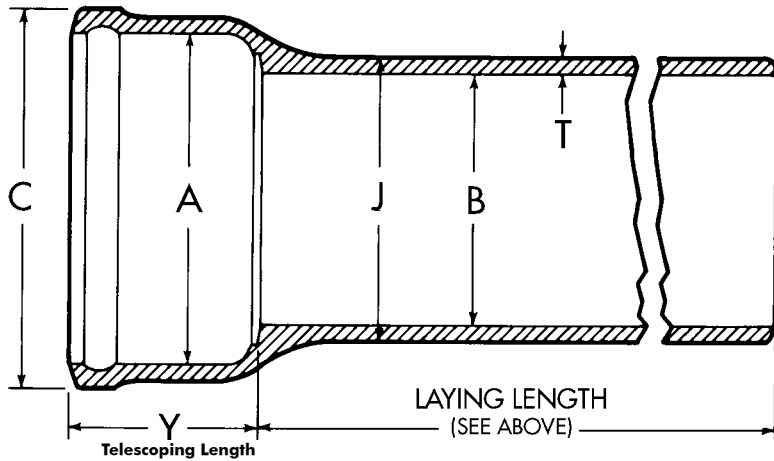
# SV (SERVICE) ASA GROUP 021 CAST IRON SOIL PIPE



## SV CLASS SINGLE HUB PIPE

3-1/2 Ft.				5 Ft.				10 Ft.			
Ship Code	UPCode 670610	Size	Wt.	Ship Code	UPCode 670610	Size	Wt.	Ship Code	UPCode 670610	Size	Wt.
S	244059	2	15	S	000006	2	20	S	000181	2	38
S	244066	3	23	S	000013	3	31	S	000198	3	52
S	244073	4	30	S	000020	4	42	S	000204	4	76
S	244080	5	39	S	000037	5	55	S	000211	5	97
S	244097	6	45	S	000044	6	62	S	000228	6	128
S	000273	8	72	S	000051	8	100	S	000235	8	190
S	000280	10	106	S	000068	10	150	S	000242	10	270
S	000297	12	135	S	000075	12	190	S	000259	12	355
S	000303	15	184	S	000082	15	260	S	000266	15	515

**NOTE: For bundle quantities & weights, see page 27.**

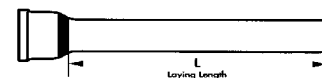


## DOUBLE HUB, 30" LENGTHS

Ship Code	UPCode 670610	Size	Wt.
S	000310	2x30"	12
S	000327	3x30"	17
S	000334	4x30"	26

## SV CLASS SINGLE HUB PIPE

Size	Telescoping Length Y	Hub I.D. A	Hub O.D. C	Barrel O.D. J	Barrel I.D. B	Nominal Thickness T	Minimum Thickness T
2"	2.50	2.94	3.62	2.30	1.96	0.17	0.14
3"	2.75	3.94	4.68	3.30	2.96	0.17	0.14
4"	3.00	4.94	5.68	4.30	3.94	0.18	0.15
5"	3.00	5.94	6.68	5.30	4.94	0.18	0.15
6"	3.00	6.94	7.68	6.30	5.94	0.18	0.15
8"	3.50	9.25	10.13	8.38	7.94	0.23	0.17
10"	3.50	11.38	12.44	10.50	9.94	0.28	0.22
12"	4.25	13.50	14.56	12.50	11.94	0.28	0.22
15"	4.25	16.95	18.11	15.88	15.16	0.36	0.30

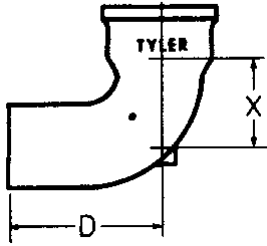


## SINGLE HUB, 30" LENGTHS

Ship Code	UPCode 670610	Size	L	Wt.
S	086185	8	30	55
S	274452	10	30	82



# SV (SERVICE) ASA GROUP 021 BENDS

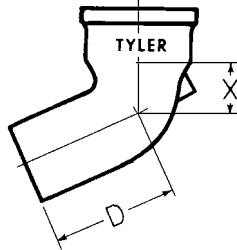


**QUARTER BEND**

Ship Code	UPCode 067610	Size	X	D	Wt.
S	000341	2	3¼	6	5
S	000358	3	4	7	8
S	000365	4	4½	8	13
S	000372	5	5	8½	17
S	000389	6	5½	9	23
S	000396	8	6⅝	11½	41
S	000402	10	7⅝	12½	59
S	000419	12	8¾	15	79
S	000426	15	10¼	16½	218

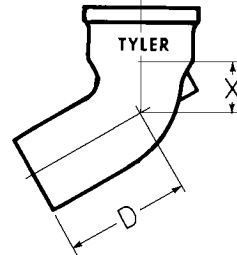
**SHIPPING CODE**  
**S** = From Stock  
**N** = Non-Stock; Check in advance for availability.

**NOTICE:**  
 All references to "weights" in this catalog section are averages and refer to SHIPPING WEIGHT ONLY. Actual weights may vary in accordance with dimensional tolerances established by ASTM A-74.



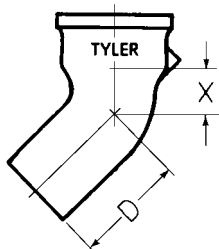
**FIFTH BEND**

Ship Code	UPCode 067610	Size	X	D	Wt.
S	000457	4	3⅞	6⅛	11



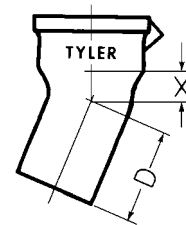
**SIXTH BEND**

Ship Code	UPCode 067610	Size	X	D	Wt.
S	000464	2	2	4¾	4
S	000471	3	2½	5½	6
S	000488	4	2⅞	6⅞	10
N	383116	5	3⅞	6⅞	14
S	000495	6	3⅞	6⅞	18
N	028536	8	4⅞	9	38
S	000501	10	4⅞	9⅞	44



**EIGHTH BEND**

Ship Code	UPCode 067610	Size	X	D	Wt.
S	000518	2	1½	4¼	4
S	000525	3	1⅞	4⅞	7
S	000532	4	2⅞	5⅞	10
S	000549	5	2⅞	5⅞	11
S	000556	6	2⅞	6⅞	18
S	000563	8	3⅞	8	34
S	000570	10	3½	8⅞	50
S	000587	12	4⅞	10⅞	69
S	000594	15	4⅞	10⅞	144

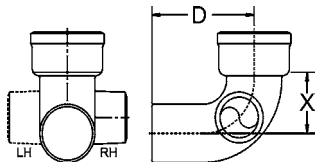


**SIXTEENTH BEND**

Ship Code	UPCode 067610	Size	X	D	Wt.
S	000600	2	⅞	3⅞	3
S	000617	3	1⅞	4⅞	6
S	000624	4	1⅞	4⅞	9
S	000631	5	1⅞	4⅞	9
S	000648	6	1½	5	12
S	000655	8	1⅞	6⅞	25
S	000662	10	2	6⅞	39
S	000679	12	2⅞	8⅞	56
S	000686	15	2⅞	8⅞	78

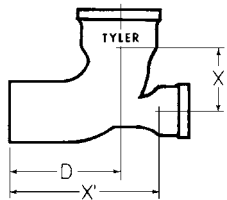


## SV (SERVICE) ASA GROUP 021 BENDS



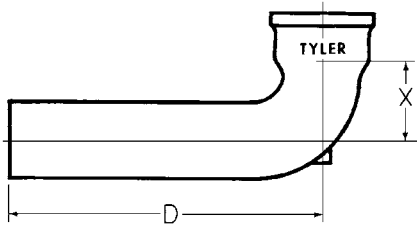
**QUARTER BEND w/2" HUB SIDE OPENING**

Ship Code	UPCode 067610	Size	X	D	Wt.
N	047698	4(R)	4½	8	14
N	047704	4(L)	4½	8	14



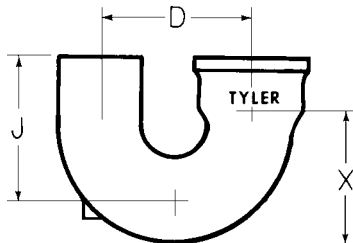
**QUARTER BEND  
w/ Low Heel Inlet**

Ship Code	UPCode 067610	Size	X	X'	D	Wt.
S	000716	3-2	4	9	7	9
S	000723	4-2	4½	10½	8	13



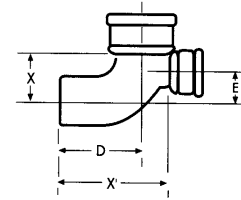
**LONG QUARTER BEND**

Ship Code	UPCode 067610	Size	X	D	Wt.
N	000792	2-12	3¼	12	7
S	000808	2-18	3¼	18	8
N	000815	3-12	4	12	11
S	000839	4-12	4½	12	16
S	000860	4-18	4½	18	17
N	000877	4-24	4½	24	28



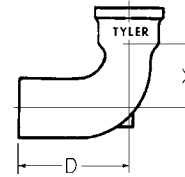
**SINGLE HUB RETURN BEND**

Ship Code	UPCode 067610	Size	X	D	J	Wt.
S	001027	3	6	7	7	11.5
S	001034	4	6¾	8	7½	13.0



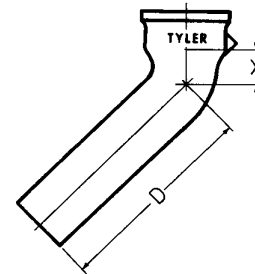
**QUARTER BEND w/HIGH HEEL INLET**

Ship Code	UPCode 067610	Size	X	X'	D	E	Wt.
S	000709	4x2	4½	10½	8	2¾	13



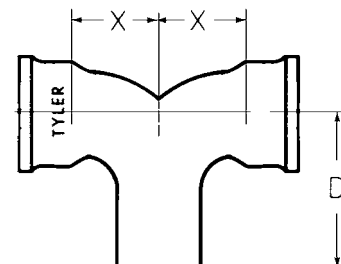
**QUARTER BEND, REDUCING**

Ship Code	UPCode 067610	Size	X	D	Wt.
S	100089	3x2	3¾	7	7
S	000747	4x2	3¼	7	7
S	000754	4x3	4¼	8½	12



**LONG EIGHTH BEND**

Ship Code	UPCode 067610	Size-Length	X	D	Wt.
S	000976	2-18	1½	18	8.0
S	000983	3-12	1½	12	10.0
S	000990	3-18	1½	18	12.0
S	001003	4-12	2¾	12	16.0
S	001010	4-18	2¾	18	18.2
N	393023	6-18	2¾	18	31.0

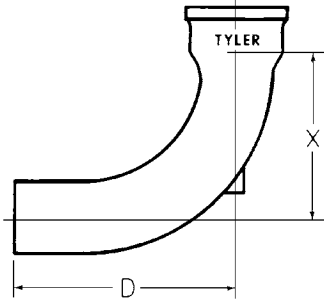


**DOUBLE QUARTER BEND**

Ship Code	UPCode 067610	Size	X	D	Wt.
N	392002	4	4½	8	20

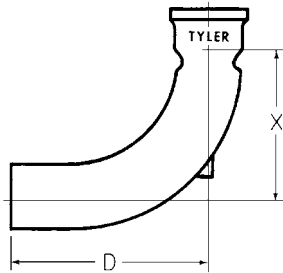


# SV (SERVICE) ASA GROUP 021 SWEEPS, TEES



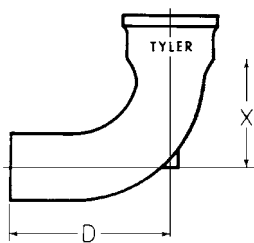
**LONG SWEEP BEND**

Ship Code	UPCode 067610	Size	X	D	Wt.
S	001041	2	8 <sup>1</sup> / <sub>4</sub>	11	8
S	001058	3	9	12	11
S	001065	4	9 <sup>1</sup> / <sub>2</sub>	13	20
S	001072	5	10	13 <sup>1</sup> / <sub>2</sub>	20
S	001089	6	10 <sup>1</sup> / <sub>2</sub>	14	30
S	001096	8	11 <sup>5</sup> / <sub>8</sub>	16 <sup>1</sup> / <sub>2</sub>	54
S	382638	10	12 <sup>5</sup> / <sub>8</sub>	17 <sup>1</sup> / <sub>2</sub>	95
N	383581	12	13 <sup>3</sup> / <sub>4</sub>	20	105
S	393016	15	15 <sup>1</sup> / <sub>4</sub>	21 <sup>1</sup> / <sub>2</sub>	230



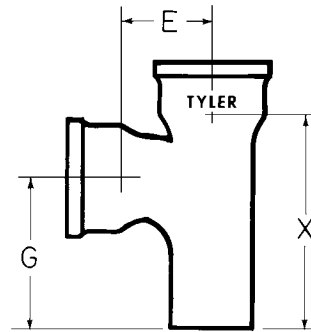
**LONG SWEEP BEND, REDUCING**

Ship Code	UPCode 067610	Size	X	D	Wt.
S	001188	3x2	9	12	11
S	001195	4x3	9 <sup>1</sup> / <sub>2</sub>	13	13



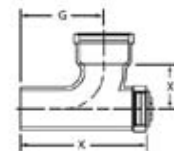
**SHORT SWEEP BEND**

Ship Code	UPCode 067610	Size	X	D	Wt.
S	001102	2	5 <sup>1</sup> / <sub>4</sub>	8	6
S	001119	3	6	9	10
S	001126	4	6 <sup>1</sup> / <sub>2</sub>	10	14
S	001133	5	7	10 <sup>1</sup> / <sub>2</sub>	16
S	001140	6	7 <sup>1</sup> / <sub>2</sub>	11	25
S	001157	8	8 <sup>5</sup> / <sub>8</sub>	13 <sup>1</sup> / <sub>2</sub>	48
S	001164	10	9 <sup>5</sup> / <sub>8</sub>	14 <sup>1</sup> / <sub>2</sub>	78
S	383284	12	10 <sup>3</sup> / <sub>4</sub>	17	107



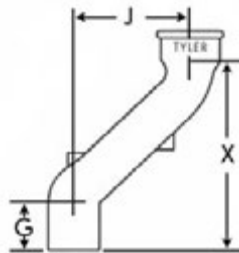
**SAN TEE**

Ship Code	UPCode 067610	Size	X	E	G	Wt.
S	001287	2	8	2 <sup>3</sup> / <sub>4</sub>	6 <sup>1</sup> / <sub>4</sub>	7
S	001294	3x2	9	4	7	11
S	001300	3	10	4	7 <sup>1</sup> / <sub>2</sub>	11
S	001317	4x2	9	4 <sup>1</sup> / <sub>2</sub>	7	13
S	001324	4x3	10	4 <sup>1</sup> / <sub>2</sub>	7 <sup>1</sup> / <sub>2</sub>	15
S	001331	4	11	4 <sup>1</sup> / <sub>2</sub>	8	17
S	001348	5x4	11	5	8	18
S	001355	5	12	5	8 <sup>1</sup> / <sub>2</sub>	19
S	001362	6x2	9	5 <sup>1</sup> / <sub>2</sub>	7	17
S	001379	6x3	10	5 <sup>1</sup> / <sub>2</sub>	7 <sup>1</sup> / <sub>2</sub>	19
S	001386	6x4	11	5 <sup>1</sup> / <sub>2</sub>	8	24
S	001393	6	13	5 <sup>1</sup> / <sub>2</sub>	9	29
S	001409	8x4	13	6 <sup>1</sup> / <sub>2</sub>	9 <sup>3</sup> / <sub>4</sub>	38
S	001416	8x6	15	6 <sup>1</sup> / <sub>2</sub>	10 <sup>3</sup> / <sub>4</sub>	40
S	001423	8	17	6 <sup>5</sup> / <sub>8</sub>	11 <sup>3</sup> / <sub>4</sub>	49
S	001430	10x4	13	7 <sup>1</sup> / <sub>2</sub>	9 <sup>3</sup> / <sub>4</sub>	50
S	001447	10x6	15	7 <sup>1</sup> / <sub>2</sub>	10 <sup>3</sup> / <sub>4</sub>	55
S	001454	10x8	17	7 <sup>5</sup> / <sub>8</sub>	11 <sup>3</sup> / <sub>4</sub>	68
S	001461	10	19	7 <sup>5</sup> / <sub>8</sub>	12 <sup>3</sup> / <sub>4</sub>	78
S	001478	12x6	16 <sup>1</sup> / <sub>2</sub>	8 <sup>1</sup> / <sub>2</sub>	12	80
S	001485	12x8	18 <sup>1</sup> / <sub>2</sub>	8 <sup>5</sup> / <sub>8</sub>	13	111
S	001492	12x10	20 <sup>1</sup> / <sub>2</sub>	8 <sup>5</sup> / <sub>8</sub>	14	115
S	001508	12	22 <sup>1</sup> / <sub>2</sub>	8 <sup>3</sup> / <sub>4</sub>	15	113
N	001515	15x6	16 <sup>1</sup> / <sub>2</sub>	10	12	145
N	001522	15x8	19 <sup>1</sup> / <sub>2</sub>	10 <sup>5</sup> / <sub>8</sub>	13	173
N	001546	15x12	22 <sup>1</sup> / <sub>2</sub>	10 <sup>1</sup> / <sub>4</sub>	15	204
S	001553	15	25 <sup>1</sup> / <sub>2</sub>	10 <sup>1</sup> / <sub>4</sub>	16 <sup>1</sup> / <sub>2</sub>	245



**Sanitary Tee w/ Cleanout on Main**

Ship Code	UPCode 067610	Size	IPS Tap	G	X	X'	Wt.
N	112822	4	3 <sup>1</sup> / <sub>2</sub>	8	12 <sup>1</sup> / <sub>8</sub>	4 <sup>1</sup> / <sub>2</sub>	18

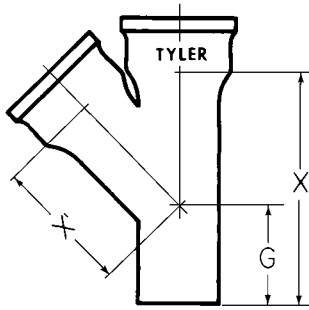


**45 DEGREE OFFSET**

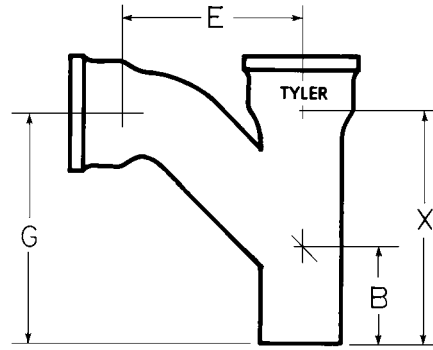
Ship Code	UPCode 067610	Size-Offset	X	G	J	Wt.
N	003540	4" - 4"	11	4	4	12
N	003557	4" - 6"	13	4	6	15
N	003564	4" - 8"	15	4	8	18



# SV (SERVICE) ASA GROUP 021 Y'S, COMBINATIONS, TEES



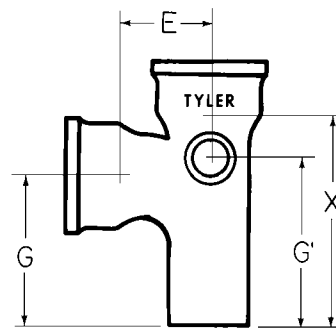
**WYE**



**COMBINATION**

Ship Code	UPCode 067610	Size	X	X'	G	Wt.
S	001560	2	8	4	4	8
S	001577	3x2	9	5	4 <sup>3</sup> / <sub>16</sub>	12
S	001584	3	10 <sup>1</sup> / <sub>2</sub>	5 <sup>1</sup> / <sub>2</sub>	5	14
S	001591	4x2	9	5 <sup>3</sup> / <sub>4</sub>	3 <sup>5</sup> / <sub>8</sub>	13
S	001607	4x3	10 <sup>1</sup> / <sub>2</sub>	6 <sup>1</sup> / <sub>4</sub>	4 <sup>7</sup> / <sub>16</sub>	17
S	001614	4	12	6 <sup>3</sup> / <sub>4</sub>	5 <sup>1</sup> / <sub>4</sub>	18
S	001621	5x2	9	6 <sup>1</sup> / <sub>2</sub>	3 <sup>7</sup> / <sub>8</sub>	14
S	001638	5x3	10 <sup>1</sup> / <sub>2</sub>	7	3 <sup>7</sup> / <sub>8</sub>	17
S	001645	5x4	12	7 <sup>1</sup> / <sub>2</sub>	4 <sup>11</sup> / <sub>16</sub>	19
S	001652	5	13 <sup>1</sup> / <sub>2</sub>	8	5 <sup>1</sup> / <sub>2</sub>	26
S	001669	6x2	9	7 <sup>1</sup> / <sub>4</sub>	2 <sup>9</sup> / <sub>16</sub>	20
S	001676	6x3	10 <sup>1</sup> / <sub>2</sub>	7 <sup>3</sup> / <sub>4</sub>	3 <sup>3</sup> / <sub>8</sub>	19
S	001683	6x4	12	8 <sup>1</sup> / <sub>4</sub>	4 <sup>3</sup> / <sub>16</sub>	27
S	001690	6x5	13 <sup>1</sup> / <sub>4</sub>	8 <sup>3</sup> / <sub>4</sub>	4 <sup>15</sup> / <sub>16</sub>	31
S	001706	6	15	9 <sup>1</sup> / <sub>4</sub>	5 <sup>3</sup> / <sub>4</sub>	36
S	383482	8x2	10 <sup>1</sup> / <sub>2</sub>	8 <sup>1</sup> / <sub>2</sub>	3 <sup>7</sup> / <sub>8</sub>	31
S	387848	8x3	12	9	3 <sup>15</sup> / <sub>16</sub>	33
S	001713	8x4	13 <sup>1</sup> / <sub>2</sub>	9 <sup>1</sup> / <sub>2</sub>	4 <sup>3</sup> / <sub>4</sub>	45
S	001720	8x5	15	10	5 <sup>1</sup> / <sub>2</sub>	39
S	001737	8x6	16 <sup>1</sup> / <sub>2</sub>	10 <sup>1</sup> / <sub>2</sub>	6 <sup>5</sup> / <sub>16</sub>	53
S	001744	8	19 <sup>1</sup> / <sub>2</sub>	11 <sup>13</sup> / <sub>16</sub>	7 <sup>1</sup> / <sub>16</sub>	65
S	001751	10x3	12	11	2 <sup>1</sup> / <sub>2</sub>	56
S	001768	10x4	13 <sup>1</sup> / <sub>2</sub>	11 <sup>7</sup> / <sub>8</sub>	3 <sup>3</sup> / <sub>16</sub>	64
S	001775	10x5	15	11 <sup>3</sup> / <sub>8</sub>	4 <sup>5</sup> / <sub>16</sub>	65
S	001782	10x6	16 <sup>1</sup> / <sub>2</sub>	12 <sup>7</sup> / <sub>8</sub>	5 <sup>5</sup> / <sub>8</sub>	76
S	001799	10x8	19 <sup>1</sup> / <sub>2</sub>	13 <sup>7</sup> / <sub>16</sub>	6 <sup>1</sup> / <sub>2</sub>	85
S	001805	10	22 <sup>1</sup> / <sub>2</sub>	14 <sup>1</sup> / <sub>2</sub>	8	107
S	001812	12x4	15	12 <sup>7</sup> / <sub>16</sub>	4 <sup>7</sup> / <sub>8</sub>	76
S	001829	12x5	16 <sup>1</sup> / <sub>2</sub>	12 <sup>15</sup> / <sub>16</sub>	4 <sup>7</sup> / <sub>8</sub>	75
S	001836	12x6	18	13 <sup>7</sup> / <sub>16</sub>	5 <sup>11</sup> / <sub>16</sub>	84
S	001843	12x8	21	14 <sup>3</sup> / <sub>4</sub>	7 <sup>7</sup> / <sub>16</sub>	110
S	001850	12x10	24	15 <sup>13</sup> / <sub>16</sub>	8 <sup>9</sup> / <sub>16</sub>	159
S	001867	12	27	16 <sup>7</sup> / <sub>8</sub>	10 <sup>7</sup> / <sub>8</sub>	176
S	001874	15x4	15	14	3 <sup>1</sup> / <sub>4</sub>	138
S	001881	15x6	18	15 <sup>3</sup> / <sub>4</sub>	4	171
S	001898	15x8	21	17 <sup>1</sup> / <sub>16</sub>	5 <sup>3</sup> / <sub>8</sub>	207
S	001904	15x10	24	18 <sup>7</sup> / <sub>8</sub>	6 <sup>7</sup> / <sub>8</sub>	213
S	001911	15x12	27	19 <sup>3</sup> / <sub>16</sub>	8 <sup>7</sup> / <sub>16</sub>	242
S	001928	15	31 <sup>1</sup> / <sub>2</sub>	20 <sup>3</sup> / <sub>4</sub>	10 <sup>3</sup> / <sub>4</sub>	333

Ship Code	UPCode 067610	Size	X	B	E	G	Wt.
S	001966	2	8	4	4 <sup>7</sup> / <sub>8</sub>	7 <sup>3</sup> / <sub>8</sub>	8
S	001973	3x2	9	4 <sup>3</sup> / <sub>16</sub>	5 <sup>3</sup> / <sub>4</sub>	8 <sup>3</sup> / <sub>16</sub>	12
S	001980	3	10 <sup>1</sup> / <sub>2</sub>	5	7	10 <sup>1</sup> / <sub>16</sub>	14
S	001997	4x2	9	3 <sup>11</sup> / <sub>16</sub>	6 <sup>1</sup> / <sub>4</sub>	8 <sup>3</sup> / <sub>16</sub>	15
S	002000	4x3	10 <sup>1</sup> / <sub>2</sub>	4 <sup>1</sup> / <sub>2</sub>	7 <sup>1</sup> / <sub>2</sub>	10 <sup>1</sup> / <sub>16</sub>	18
S	002017	4	12	5 <sup>1</sup> / <sub>4</sub>	9	12 <sup>1</sup> / <sub>16</sub>	24
S	002024	5x2	9	3 <sup>3</sup> / <sub>8</sub>	6 <sup>3</sup> / <sub>4</sub>	8 <sup>3</sup> / <sub>8</sub>	15
S	383123	5x3	10 <sup>1</sup> / <sub>2</sub>	4	8	10 <sup>1</sup> / <sub>16</sub>	22
S	002031	5x4	12	4 <sup>1</sup> / <sub>4</sub>	9 <sup>1</sup> / <sub>2</sub>	11 <sup>9</sup> / <sub>16</sub>	24
S	002048	5	13 <sup>1</sup> / <sub>2</sub>	5 <sup>1</sup> / <sub>2</sub>	11	14 <sup>7</sup> / <sub>8</sub>	26
S	002055	6x2	9	2 <sup>11</sup> / <sub>16</sub>	7 <sup>1</sup> / <sub>4</sub>	8 <sup>3</sup> / <sub>16</sub>	17
S	002062	6x3	10 <sup>1</sup> / <sub>4</sub>	3 <sup>3</sup> / <sub>8</sub>	8 <sup>1</sup> / <sub>2</sub>	9 <sup>11</sup> / <sub>16</sub>	21
S	002079	6x4	12	4 <sup>1</sup> / <sub>4</sub>	10	12 <sup>1</sup> / <sub>16</sub>	32
S	388258	6x5	13 <sup>1</sup> / <sub>2</sub>	5 <sup>1</sup> / <sub>16</sub>	11 <sup>1</sup> / <sub>2</sub>	14 <sup>3</sup> / <sub>16</sub>	40
S	002086	6	15	5 <sup>3</sup> / <sub>4</sub>	12 <sup>7</sup> / <sub>8</sub>	16 <sup>1</sup> / <sub>16</sub>	45
N	383611	8x2	10 <sup>1</sup> / <sub>2</sub>	3 <sup>3</sup> / <sub>8</sub>	8 <sup>1</sup> / <sub>4</sub>	9 <sup>5</sup> / <sub>8</sub>	34
S	002093	8x4	13 <sup>1</sup> / <sub>2</sub>	4 <sup>3</sup> / <sub>4</sub>	11	13 <sup>3</sup> / <sub>16</sub>	44
N	384748	8x5	10 <sup>1</sup> / <sub>2</sub>	5 <sup>1</sup> / <sub>2</sub>	12 <sup>1</sup> / <sub>2</sub>	15 <sup>3</sup> / <sub>8</sub>	53
S	002109	8x6	16 <sup>1</sup> / <sub>2</sub>	6 <sup>5</sup> / <sub>16</sub>	13 <sup>7</sup> / <sub>8</sub>	17 <sup>5</sup> / <sub>8</sub>	60
S	002116	8	19 <sup>1</sup> / <sub>2</sub>	7 <sup>1</sup> / <sub>16</sub>	17	21 <sup>9</sup> / <sub>16</sub>	85

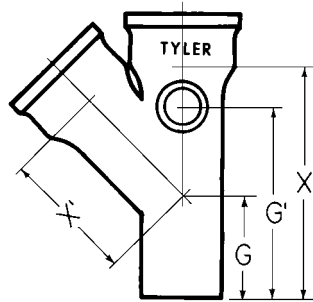


**SAN TEE  
w/2" Hub Side Openings**

Ship Code	UPCode 067610	Size	X	E	G	G'	Wt.
S	002277	3R	10	4	7 <sup>1</sup> / <sub>2</sub>	8	15
S	002291	3L	10	4	7 <sup>1</sup> / <sub>2</sub>	8	15
S	002284	4R	11	4 <sup>1</sup> / <sub>2</sub>	8	9	20
S	002307	4L	11	4 <sup>1</sup> / <sub>2</sub>	8	9	20
S	002321	4R&L	11	4 <sup>1</sup> / <sub>2</sub>	8	9	21

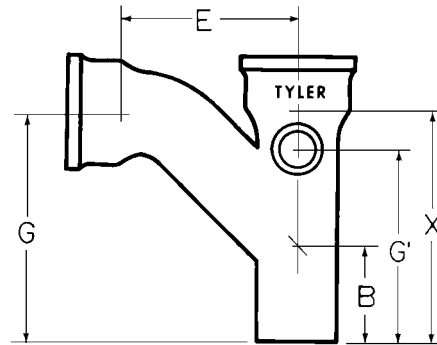


# SV (SERVICE) ASA GROUP 021 Y'S, COMBINATIONS, TEES, "H" BRANCHES



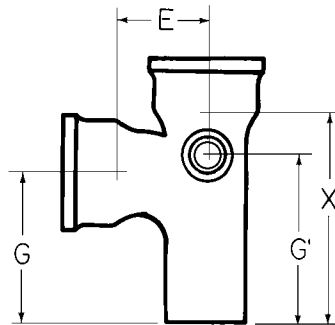
**WYE**  
w/2" Hub Side Opening

Ship Code	UPCode 067610	Size	X	X'	G	G'	Wt.
S	002390	4R	12	6 <sup>3</sup> / <sub>4</sub>	5 <sup>1</sup> / <sub>4</sub>	10	18
S	002406	4L	12	6 <sup>3</sup> / <sub>4</sub>	5 <sup>1</sup> / <sub>4</sub>	10	18



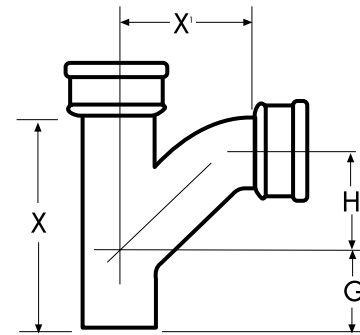
**COMBINATION**  
w/2" Hub Side Opening

Ship Code	UPCode 067610	Size	X	B	E	G	G'	Wt.
S	002413	4R	12	5 <sup>1</sup> / <sub>4</sub>	9	12 <sup>1</sup> / <sub>16</sub>	10	27
S	002420	4L	12	5 <sup>1</sup> / <sub>4</sub>	9	12 <sup>1</sup> / <sub>16</sub>	10	27



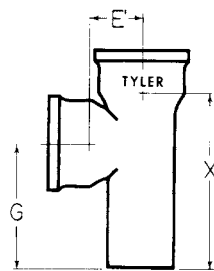
**SAN TEE W/SIDE TAPS**

Ship Code	UPCode 067610	Size	X	E	G	G'	Wt.
N	002369	4"w/2" R Tap	11	4 <sup>1</sup> / <sub>2</sub>	8	9	20
N	002376	4"w/2" L Tap	11	4 <sup>1</sup> / <sub>2</sub>	8	9	20
N	002383	4"w/2" L&R Tap	11	4 <sup>1</sup> / <sub>2</sub>	8	9	20



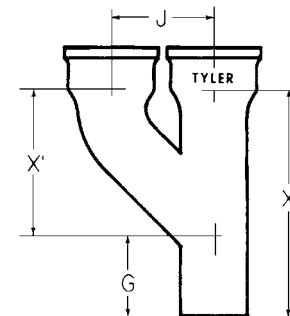
**COMBINATION (SHORT TURN)**

Ship Code	UPCode 0670610	Size	G	H	X	X'	Wt.
N	086192	4	5 <sup>7</sup> / <sub>16</sub>	4 <sup>3</sup> / <sub>8</sub>	11 <sup>3</sup> / <sub>8</sub>	6 <sup>1</sup> / <sub>2</sub>	19



**STRAIGHT TEE**

Ship Code	UPCode 067610	Size	X	G	E'	Wt.
S	001201	2	8	6 <sup>1</sup> / <sub>4</sub>	1 <sup>3</sup> / <sub>4</sub>	7
S	001218	3x2	9	7	2 <sup>1</sup> / <sub>2</sub>	9
S	001225	3	10	7 <sup>1</sup> / <sub>2</sub>	2 <sup>1</sup> / <sub>2</sub>	12
S	001232	4x2	9	7	3	13
S	001249	4x3	10	7 <sup>1</sup> / <sub>2</sub>	3	14
S	001256	4	11	8	3	15
S	001263	6x4	11	8	4	22
N	001270	6	13	9	4	24
N	113324	8x4	12 <sup>7</sup> / <sub>8</sub>	9 <sup>5</sup> / <sub>8</sub>	5 <sup>1</sup> / <sub>4</sub>	37

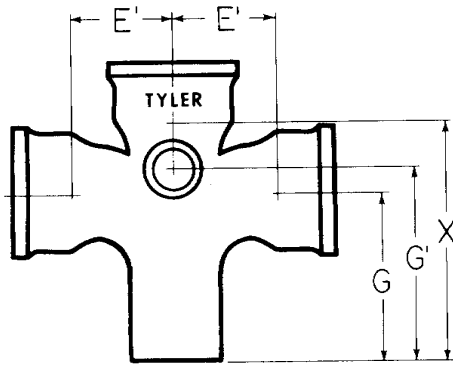


**"H" BRANCH**

Ship Code	UPCode 067610	Size	X	X'	J	G	Wt.
N	002222	2	10	6	4 <sup>1</sup> / <sub>2</sub>	4	8
N	002239	3x2	10 <sup>11</sup> / <sub>16</sub>	6 <sup>3</sup> / <sub>4</sub>	5	4 <sup>3</sup> / <sub>16</sub>	10
S	002246	3	12 <sup>7</sup> / <sub>16</sub>	7 <sup>7</sup> / <sub>16</sub>	5 <sup>1</sup> / <sub>2</sub>	5	12
N	002253	4x3	12 <sup>3</sup> / <sub>16</sub>	6 <sup>15</sup> / <sub>16</sub>	6	4 <sup>1</sup> / <sub>2</sub>	14
S	002260	4"	13 <sup>15</sup> / <sub>16</sub>	8 <sup>11</sup> / <sub>16</sub>	6 <sup>1</sup> / <sub>2</sub>	5 <sup>1</sup> / <sub>4</sub>	18

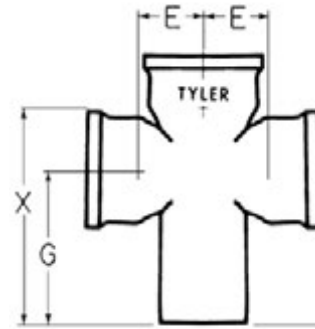


# SV (SERVICE) ASA GROUP 021 CROSSES, WYES



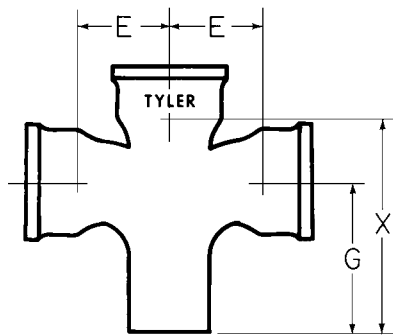
**SAN CROSS W/2" SIDE OPENING**

Ship Code	UPCode 067610	Size	(Side Opening)	X	E'	G	G'	Wt.
S	002871	4	(1 side)	11	4½	8	9	27
N	002895	4	(2 sides)	11	4½	8	9	31



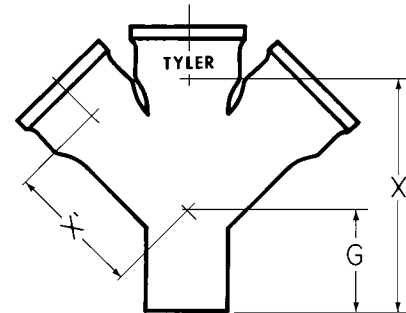
**STRAIGHT CROSS**

Ship Code	UPCode 067610	Size	G	X	E	SV
N	102588	4x2	7	9	3	14
N	102595	4	8	11	3	18



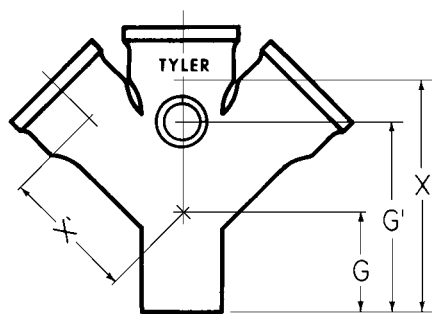
**SAN CROSS  
(No Baffle)**

Ship Code	UPCode 067610	Size	X	E	G	Wt.
S	002512	2	8	3¼	6¼	9
S	002529	3x2	9	4	7	13
S	002536	3	10	4	7½	15
S	002543	4x2	9	4½	7	15
S	002550	4x3	10	4½	7½	18
S	002567	4	11	4½	8	19
N	002574	5x4	11	5	8	26
N	012618	6x4	11	5½	8	33
S	383321	6	13	5½	9	44
N	002581	8x4	13	6½	9¾	40



**DOUBLE WYE**

Ship Code	UPCode 067610	Size	X	X'	G	Wt.
S	002598	2	8	4	4	9
S	002604	3x2	9	5	4¾	13
S	002611	3	10½	5½	5	16
S	002628	4x2	9	5¾	3⅝	15
S	002635	4x3	10½	6¼	4⅞	19
S	002642	4	12	6¾	5¼	23
N	392026	5	13½	8	5½	27
S	387855	6x3	10½	7¾	3⅝	23
S	002659	6x4	12	8¼	4¾	32
S	002666	6	15	9¼	5¾	45
S	002673	8x4	13½	9½	4¾	50
S	002680	8x6	16½	10½	6⅝	64
S	002697	8	19½	11⅓	7⅞	90
N	383086	10x6	19½	12½	6½	81
S	002703	10x8	19½	13⅞	6½	114
S	002710	10	22½	14½	8	120
S	002727	12x8	21	14¾	7⅞	136
S	002734	12	27	16⅞	10⅞	175
S	002741	15	31½	20¾	10¾	354

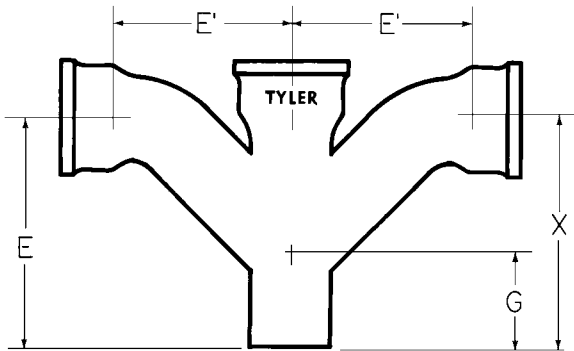


**DOUBLE WYE  
w/2" Hub Side Opening**

Ship Code	UPCode 067610	Size	X	X'	G	G'	Wt.
S	002932	4	12	6¾	5¼	10	26

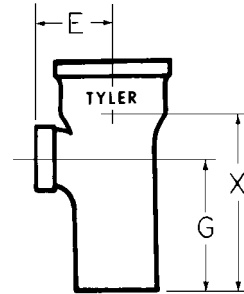


# SV (SERVICE) ASA GROUP 021 COMBINATIONS, TEES



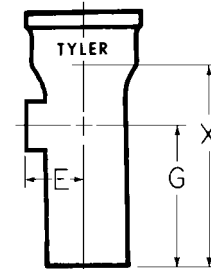
**DOUBLE COMBINATION**

Ship Code	UPCode 067610	Size	X	E'	E	G	Wt.
S	002758	2	8	4 <sup>7</sup> / <sub>8</sub>	7 <sup>3</sup> / <sub>8</sub>	4	11
S	002765	3x2	9	5 <sup>3</sup> / <sub>4</sub>	8 <sup>3</sup> / <sub>16</sub>	4 <sup>3</sup> / <sub>8</sub>	14
S	002772	3	10 <sup>1</sup> / <sub>2</sub>	7	10 <sup>1</sup> / <sub>16</sub>	5	20
S	002789	4x2	9	6 <sup>1</sup> / <sub>4</sub>	8 <sup>3</sup> / <sub>16</sub>	3 <sup>1</sup> / <sub>16</sub>	17
S	002796	4x3	10 <sup>1</sup> / <sub>2</sub>	7 <sup>1</sup> / <sub>2</sub>	10 <sup>1</sup> / <sub>16</sub>	4 <sup>1</sup> / <sub>2</sub>	23
S	002802	4	12	9	12 <sup>1</sup> / <sub>16</sub>	5 <sup>1</sup> / <sub>4</sub>	34
S	010925	5x4	12	9 <sup>1</sup> / <sub>2</sub>	11 <sup>1</sup> / <sub>16</sub>	4 <sup>1</sup> / <sub>4</sub>	38
S	002819	6x4	12	10	12 <sup>1</sup> / <sub>16</sub>	4 <sup>1</sup> / <sub>4</sub>	52
S	002826	6	15	12 <sup>7</sup> / <sub>8</sub>	16 <sup>1</sup> / <sub>16</sub>	5 <sup>3</sup> / <sub>4</sub>	80



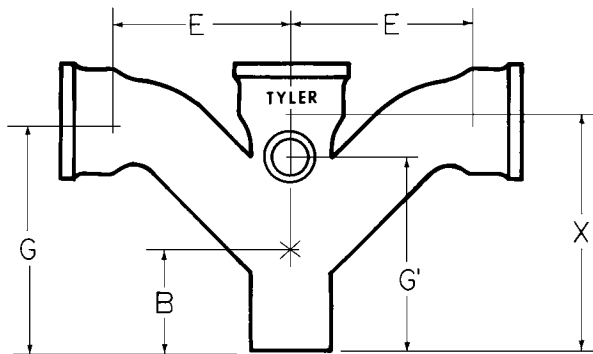
**TAPPED SAN TEE**

Ship Code	UPCode 067610	Size x Tap	X	E	G	Wt.
S	003120	2x1 <sup>1</sup> / <sub>4</sub>	8	2 <sup>13</sup> / <sub>16</sub>	6 <sup>1</sup> / <sub>4</sub>	6
S	003137	2x1 <sup>1</sup> / <sub>2</sub>	8	2 <sup>13</sup> / <sub>16</sub>	6 <sup>1</sup> / <sub>4</sub>	6
S	003144	2x2	8	3 <sup>1</sup> / <sub>16</sub>	6 <sup>1</sup> / <sub>4</sub>	7
S	003168	3x1 <sup>1</sup> / <sub>2</sub>	9	3 <sup>5</sup> / <sub>16</sub>	7	8
S	003175	3x2	9	3 <sup>5</sup> / <sub>16</sub>	7	9
S	003182	3x3	10	3 <sup>5</sup> / <sub>8</sub>	7 <sup>1</sup> / <sub>4</sub>	11
S	003205	4x1 <sup>1</sup> / <sub>2</sub>	9	3 <sup>13</sup> / <sub>16</sub>	7	13
S	003212	4x2	9	4 <sup>1</sup> / <sub>16</sub>	7	13
N	399247	4x3	11	3 <sup>15</sup> / <sub>16</sub>	8	14



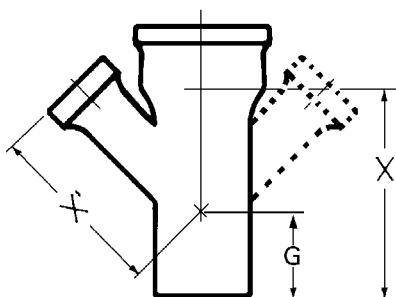
**STRAIGHT TAPPED TEE**

Ship Code	UPCode 670610	Size	X	E	G	Wt.
N	002963	2x1 <sup>1</sup> / <sub>2</sub>	8	2	6 <sup>1</sup> / <sub>4</sub>	5.5
S	024507	2x2	8	2	6 <sup>1</sup> / <sub>4</sub>	6
N	002994	3x1 <sup>1</sup> / <sub>2</sub>	9	2 <sup>1</sup> / <sub>2</sub>	7	7.4
S	003007	3x2	9	2 <sup>1</sup> / <sub>2</sub>	7	7
S	003045	4x2	9	3	7	11
N	392071	4x3	11	4	8	12
N	003069	4x4	9	3	7	15
S	003106	6x4	13	7	9	25
S	003076	5x2	12	3 <sup>1</sup> / <sub>2</sub>	7 <sup>7</sup> / <sub>8</sub>	13
S	003083	5x4	12	3 <sup>1</sup> / <sub>2</sub>	8 <sup>1</sup> / <sub>2</sub>	15
S	003090	6x2	13 <sup>1</sup> / <sub>4</sub>	3 <sup>5</sup> / <sub>8</sub>	9	26



**DOUBLE COMBINATION w/2" Hub Side Opening**

Ship Code	UPCode 067610	Size	X	B	E	G	G'	Wt.
S	002949	4	12	5 <sup>1</sup> / <sub>4</sub>	9	12 <sup>1</sup> / <sub>16</sub>	10	33



**TAPPED WYE**

Ship Code	UPCode 067610	Size	X	X'	G	Wt.
S	003236	3x2	9	6 <sup>5</sup> / <sub>8</sub>	4	9
S	003243	4x1 <sup>1</sup> / <sub>2</sub>	9	7 <sup>7</sup> / <sub>8</sub>	5 <sup>1</sup> / <sub>4</sub>	12
S	003250	4x2	9	7 <sup>7</sup> / <sub>8</sub>	5 <sup>1</sup> / <sub>4</sub>	12

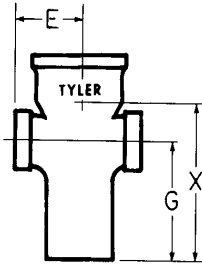
**TAPPED DOUBLE WYE**

Ship Code	UPCode 670610	Size	X	X'	Wt.
S	003441	4x2	9	7 <sup>7</sup> / <sub>8</sub>	21



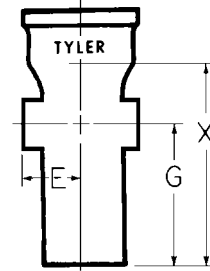


# SV (SERVICE) ASA GROUP 021 CROSSES, CLEANOUTS, PLUGS & TEES



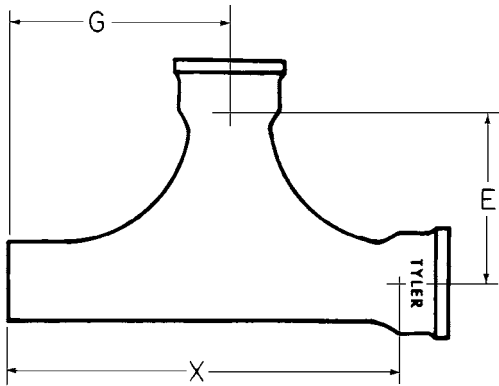
**TAPPED SAN CROSS**

Ship Code	UPCode 067610	Size x Tap	X	E	G	Wt.
S	003359	2x1½	8	3 1/6	6¼	8
N	003366	2x2	8	3 1/6	6¼	8
S	003380	3x1½	9	3 3/6	7	10
S	003397	3x2	9	3 3/6	7	10
S	003410	4x1½	9	4 1/6	7	12
S	003427	4x2	9	4 1/6	7	12



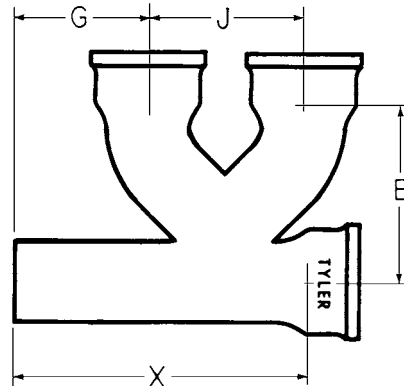
**STRAIGHT TAPPED CROSS**

Ship Code	UPCode 670610	Size	X	E	G	Wt.
S	003311	3x2	9	2½	7	9
S	003328	4x2	9	3	7	11
S	003335	5x2	9	3½	7¼	13



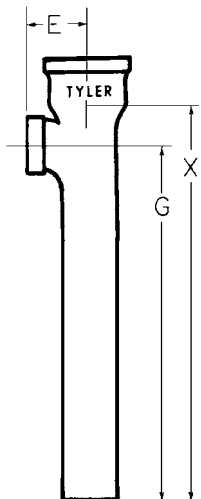
**TWO-WAY CLEANOUT  
Memphis Code**

Ship Code	UPCode 067610	Size	X	E	G	Wt.
S	003465	4	22 5/8	9 3/8	12 3/4	34.5



**TWO-WAY CLEANOUT**

Ship Code	UPCode 067610	Size	X	E	G	J	Wt.
S	003519	4	13 5/8	7 1/2	6 1/2	6 7/16	29
S	003526	5x5x4x4	13 5/8	8	6 1/2	6 7/16	31
S	003533	6x6x4x4	13 5/8	8 1/2	6 1/2	6 7/16	35



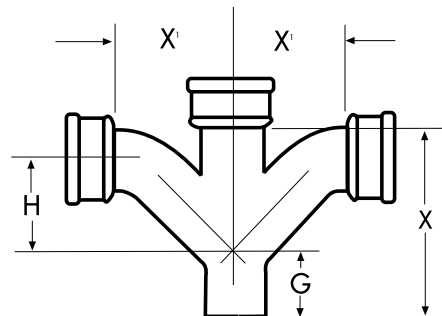
**LONG TAP SAN TEE**

Ship Code	UPCode 067610	Size	X	E	G	Wt.
S	380016	2x2-18	18	3 1/6	16	8



**PIPE PLUG**

Ship Code	UPCode 670610	Size	F	Wt.
S	004035	2	3 1/2	1
S	004042	3	3 3/4	2
S	004059	4	4	3
N	004066	5	4	6
S	004073	6	4	6
S	004080	8	4 1/2	11
S	004097	10	4 1/2	17
S	004103	12	5 1/4	25
S	004110	15	5 1/4	35

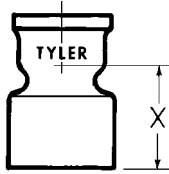


**DOUBLE COMBINATION (SHORT TURN)**

Ship Code	UPCode 067610	Size	G	H	X	X	Wt.
N	393245	4	5 7/16	4 3/8	11 3/8	6 1/2	26

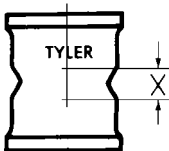


# SV (SERVICE) ASA GROUP 021 REDUCERS, INCREASERS, DBL. HUBS, TRAPS



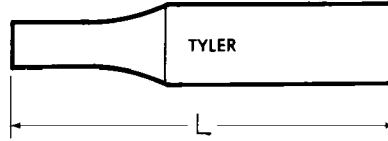
**REDUCER**

Ship Code	UPCode 670610	Size	X	Wt.
S	003588	3x2	4 <sup>3</sup> / <sub>4</sub>	5
S	003595	4x2	5	5
S	003601	4x3	5	7
S	383598	5x2	5	6
S	383604	5x3	5	7
S	003618	5x4	5	8
S	003625	6x2	5	7
S	003632	6x3	5	8
S	003649	6x4	5	9
S	003656	6x5	5	9
N	383352	8x3	6	14
S	003663	8x4	6	13
S	003670	8x5	6	14
S	003687	8x6	6	15
S	003694	10x4	6	17
S	383369	10x5	6	38
S	003700	10x6	6	19
S	003717	10x8	6	24
S	003724	12x4	6 <sup>1</sup> / <sub>2</sub>	22
S	003731	12x6	6 <sup>1</sup> / <sub>2</sub>	24
S	003748	12x8	6 <sup>1</sup> / <sub>2</sub>	31
S	003755	12x10	6 <sup>1</sup> / <sub>2</sub>	37
S	003762	15x6	6 <sup>1</sup> / <sub>2</sub>	60
S	003779	15x8	6 <sup>1</sup> / <sub>2</sub>	65
S	003786	15x10	6 <sup>1</sup> / <sub>2</sub>	70
S	003793	15x12	6 <sup>1</sup> / <sub>2</sub>	80



**DOUBLE HUB FITTING**

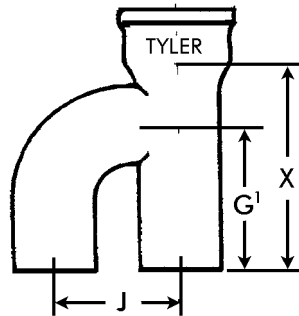
Ship Code	UPCode 670610	Size	X	Wt.
S	003960	2	1	4
S	003977	3	1	6
S	003984	4	1	8
S	003991	6	1	11
N	384755	8	1 <sup>1</sup> / <sub>2</sub>	22
N	004004	10	1 <sup>1</sup> / <sub>2</sub>	37
N	384762	12	1 <sup>1</sup> / <sub>2</sub>	51
S	004011	15	1 <sup>1</sup> / <sub>2</sub>	87



**LONG PLAIN INCREASER**

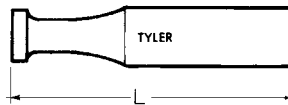
Ship Code	UPCode 670610	Size	L	Wt.
S	003878	2x4	24	13
S	003885	3x4	24	14
S	003892	4x5	30	24
S	003908	*4x6	30	24

\*Not suitable for TY-SEAL Joint.  
\*\*Bead on 4" End.



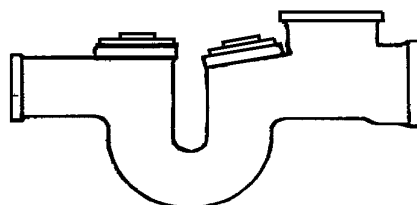
**VENT BRANCH**

Ship Code	UPCode 067610	Size	X	G1	J	Wt.
N	002215	4	11	8	6 <sup>1</sup> / <sub>2</sub>	17



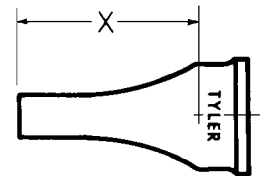
**TAPPED LONG INCREASER**

Ship Code	UPCode 670610	Size	L	Wt.
S	003939	2x4	24	13



**COMBINATION TRAP & TEE  
with 2 - 3<sup>1</sup>/<sub>2</sub> A Plugs**

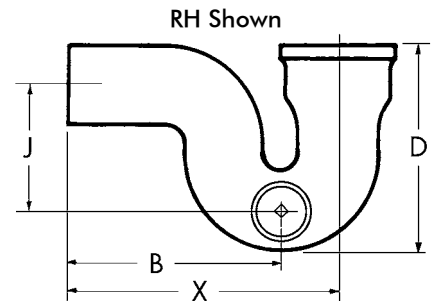
Ship Code	UPCode 670610	Size	Tap	Wt.
S	112518	4x3	3 <sup>1</sup> / <sub>2</sub>	32



**REGULAR INCREASER\***

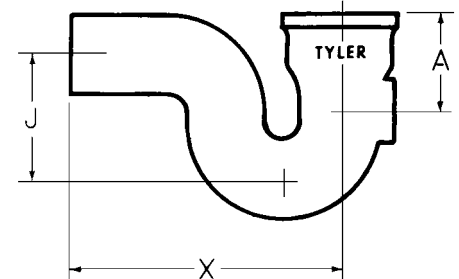
Ship Code	UPCode 670610	Size	X	Wt.
N	045939	2x4	9	9
S	003809	3x4	9	9
S	003816	4x5	9	11
S	003823	4x6	9	12
S	003830	4x8	12	22
S	277248	5x6	9 <sup>1</sup> / <sub>2</sub>	13
S	003847	6x8	12	24
N	384724	8x10	12	44
S	003854	10x12	12	60
N	003861	12x15	12	95

\*The first size shown is the spigot end.



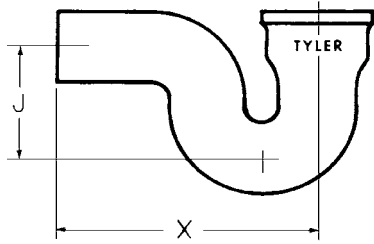
**"P" TRAP W/3" CLEANOUT TAP, R, L**

Ship Code	UPCode 067610	Size	X	J	D	B	Wt.
N	384779	4RH	14	6 <sup>1</sup> / <sub>2</sub>	5 <sup>1</sup> / <sub>2</sub>	11	20
N	384786	4LH	14	6 <sup>1</sup> / <sub>2</sub>	5 <sup>1</sup> / <sub>2</sub>	11	20



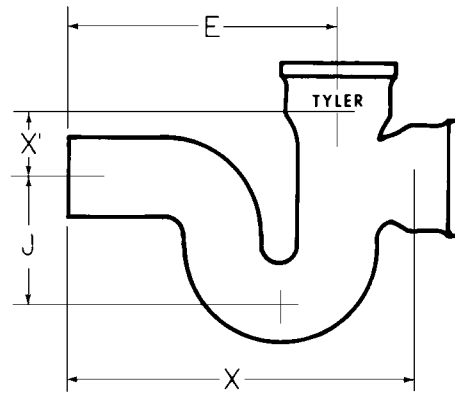
**"P" TRAP w/1/2" HEEL TAP**

Ship Code	UPCode 067610	Size	X	J	A	Wt.
S	004813	2	9 <sup>1</sup> / <sub>2</sub>	4	3	7
S	004820	3	12	5 <sup>1</sup> / <sub>2</sub>	3 <sup>1</sup> / <sub>2</sub>	13
S	004837	4	14	6 <sup>1</sup> / <sub>2</sub>	3 <sup>1</sup> / <sub>2</sub>	18



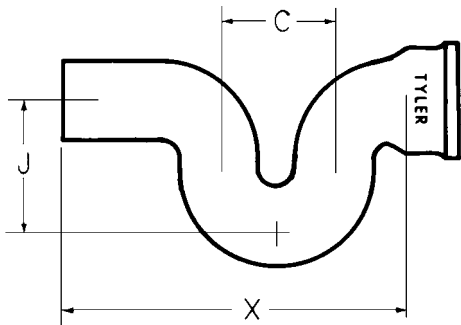
**"P" TRAP**

Ship Code	UPCode 067610	Size	X	J	Wt.
S	004486	2	9½	4	7
S	004493	3	12	5½	13
S	004509	4	14	6½	17
S	004516	5	15½	7½	33
S	004523	6	17	8½	31
S	004530	8	22	11	97
S	004547	10	25	14¾	113



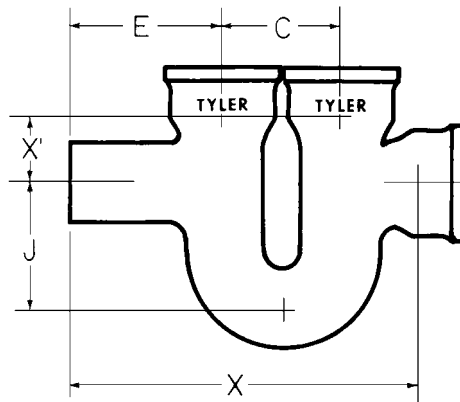
**RUNNING TRAP w/HUB VENT**

Ship Code	UPCode 067610	Size (Vent)	X	X'	E	J	Wt.
S	004615	3 (3)	15	2½	12	5½	16
S	004622	4 (4)	17½	3	14	6½	23
S	004639	5 (4)	19½	3½	15½	7½	28
S	004646	6 (4)	21½	4	17	8½	73
S	004653	6 (6)	21½	4	17	8½	80
S	004660	8 (6)	27½	3¼	22	11	105
S	004677	10 (8)	31½	6¼	25	13	201
S	004684	12 (10)	38¾	7¼	31½	15	295
S	004691	15 (12)	45¾	8¾	35¾	18½	560



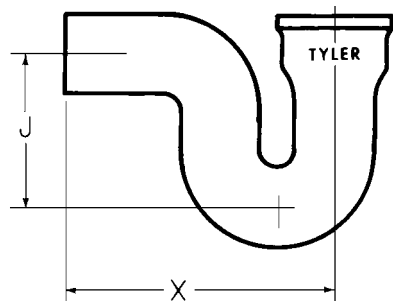
**RUNNING TRAP**

Ship Code	UPCode 067610	Size	X	C	J	Wt.
S	004578	4	17½	6	6½	19
S	004585	6	21½	8	8½	65



**RUNNING TRAP w/TWO HUB VENTS**

Ship Code	UPCode 067610	Size(Vents)	X	X'	C	E	J	Wt.
S	004707	3 (3-3)	15	2½	5	7	5½	19
S	004714	4 (4-4)	17½	3	6	8	6½	28
S	004721	5X4 (4-4)	19½	3½	7	8½	7½	44
S	004738	5 (4-4)	19½	3½	7	8½	7½	46
S	004745	6 (4-4)	21½	4	8	9	8½	81
N	053880	8 (4-4)	27¾	5¼	10	12	11	99
S	004752	6 (6-6)	21½	4	8	9	8½	95
S	004769	8 (6-6)	27½	5¼	10	12	11	155
S	004776	10 (8-8)	31½	6¼	12	13	13	210
S	004783	12 (10-10)	38¾	7¼	15	16½	15	325
S	004790	15 (12-12)	45¾	8¾	18½	17¼	18½	575



**DEEP SEAL "P" TRAP**

Ship Code	UPCode 067610	Size	X	J	Wt.
S	004844	2	9½	6	7
S	004851	3	12	7	14
S	004868	4	14	8	20
S	382614	6	17	9½	43



# SV (SERVICE) GASKETS, GASKET LUBRICANTS



## TY-SEAL

Ship Code	UPCode 670610	Size	Wt. Ea. Lbs.	Carton		Pallet	
				Quantity	Wt.	Quantity	Wt.
S	004875	2	0.3	60	18	2880	900
S	004882	3	0.4	40	16	1600	675
S	004899	4	0.6	40	24	1280	805
S	004905	5	1.2	30	35	600	735
S	004912	6	1.4	30	40	600	835
S	004929	8	1.6	20	30	320	151
S	004936	10	2.0	10	18	270	520
S	004943	12	2.5	10	22	270	630
S	014959	15	3.8	10	38	120	490

## EZ-TITE

Ship Code	UPCode 670610	Size	Wt. Ea. Lbs.	Carton		Pallet	
				Quantity	Wt.	Quantity	Wt.
S	004950	2	0.3	60	18	2880	900
S	004967	3	0.4	40	16	1600	675
S	004974	4	0.6	40	24	1280	805
S	004981	5	1.2	30	35	600	735
S	004998	6	1.4	30	40	600	835

**NOTE:** Adhesive lubricants are required for TY-SEAL and EZ-TITE gaskets in sizes 5-inch and larger diameters.

## TY-SEAL® LUBRICANT

Ship Code	UPCode 670610	Size	Wt.
S	005117	Quart	2.5
S	005124	Gallon	9.0
S	005131	Pail	25.0

## LUBRI/FAST® LUBRICANT

Ship Code	UPCode 670610	Size	Wt.
S	005148	Quart	2.5



### LUBRI/FAST

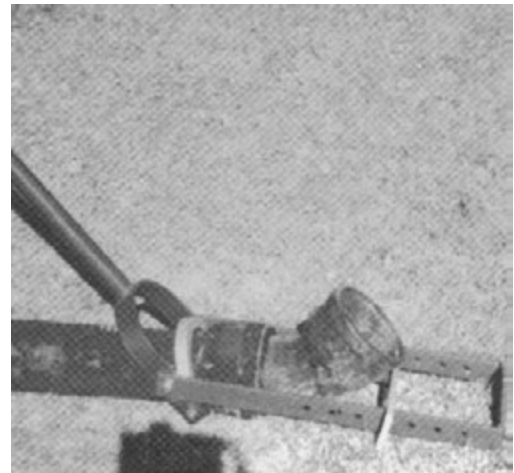
- The unique LUBRI/FAST® formula makes joining TY-SEAL gaskets easier and faster because it's so slick! Applied as a liquid, LUBRI/FAST® actually reduces joining forces required; then it literally "fastens" the joint.
- LUBRI/FAST® is applied with an ordinary paint brush. It may be used for joining all pipe and fittings, and is **required** for joining all larger diameters 5" through 15".

- An excellent water-soluble joint compound, TY-SEAL LUBRICANT has demonstrated its efficiency in millions of joints.
- Quick and easy to use under all conditions...even under water!
- Available in quarts, gallons and 25-lb. pails.



**To Assemble Fittings**

Place yoke behind hub, adjust bar to length of fitting and pull handle to join in soil pipe.



Horizontal Fitting Assembly



Vertical Fitting Assembly

### Soil Pipe Puller

UPC #	Size	Shipping Weight
005155	2-3-4	23 lbs
393948	5-6-8	53 lbs

### Accessories

Size	Description	Weight
4	Yoke	3 lbs
8	Yoke	6 lbs
2-3-4	Chain	10 lbs
5-6-8	Chain	12 lbs

### Individual Adaptors

Size		Shipping Weight
4x2	Adapter	1 ½ lbs
4x3	Adapter	2 lbs
8x6	Adapter	5 lbs
8x5	Adapter	4 lbs

**To Assemble  
Pipe**

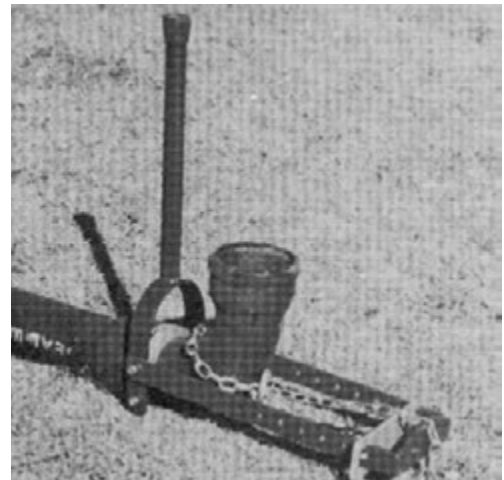
Place yoke behind hub,  
fasten chain through slot and  
hook on to end of pipe and  
pull handle to join.



Horizontal Pipe Assembly

**To Disassemble  
Fittings and Pipe**

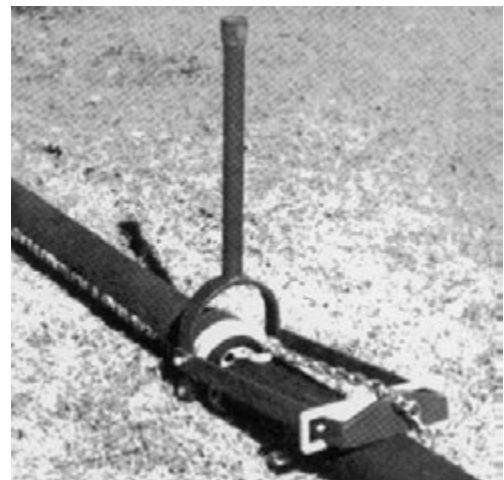
Place yoke in front of hub,  
hook chain around fitting, and  
place in slot at end of bar. Push  
handle to release fitting



Fitting Disassembly



Vertical Pipe Assembly

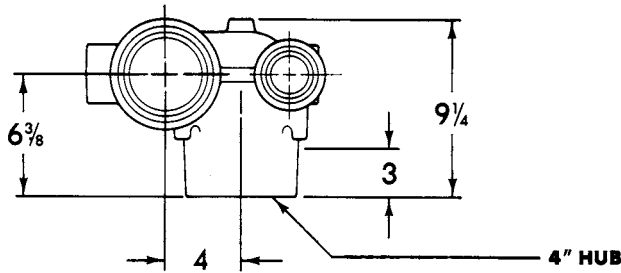


Pipe Disassembly



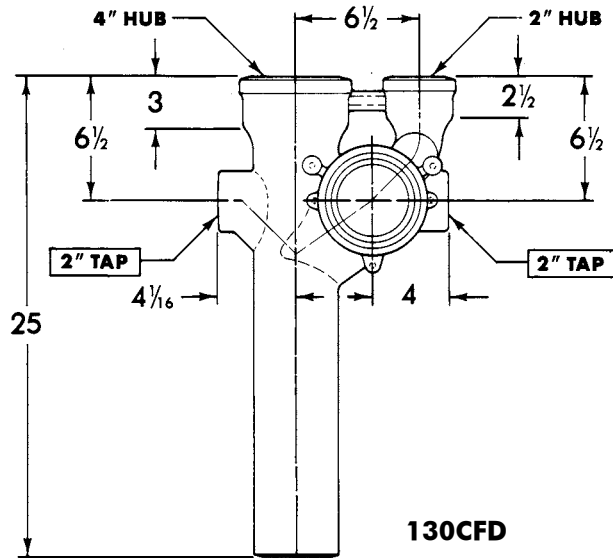
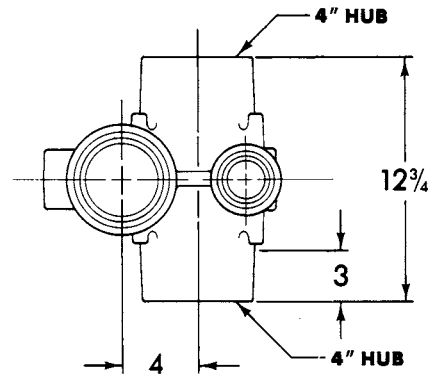
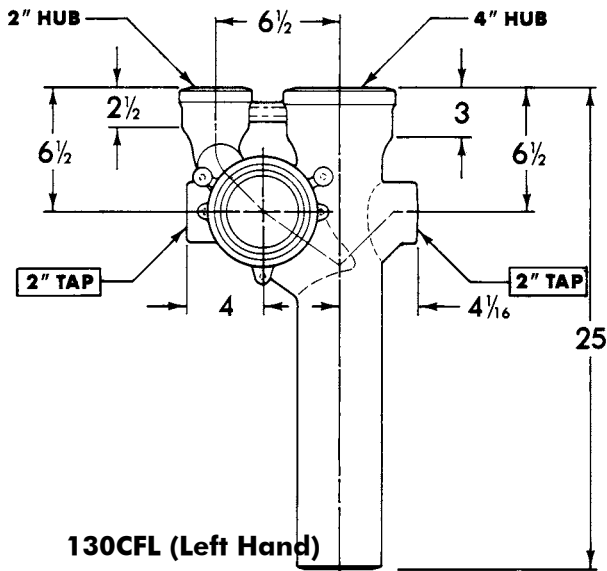
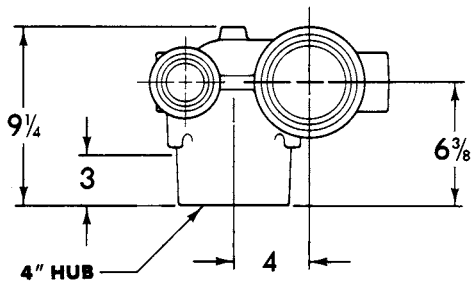
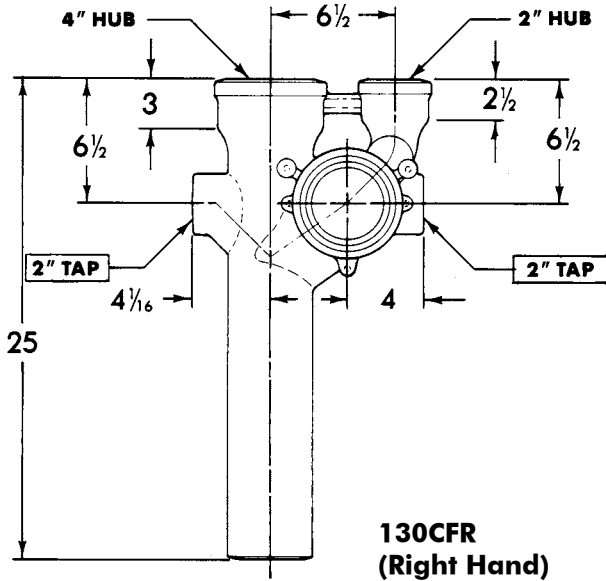
# CHICAGO RUFWALL SPECIAL FITTINGS

Note: For typical applications, consult your local Tyler representative.



**4" Floor Outlet Closet Fittings**  
**4" caulk hub W.C. connections**  
**w/front & back 2" Waste Tee Taps**

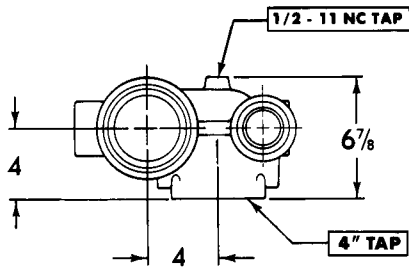
UPCode	Item	Weight
67061		
005636	130CFR	48
005643	130CFL	48
005650	130CFD	56





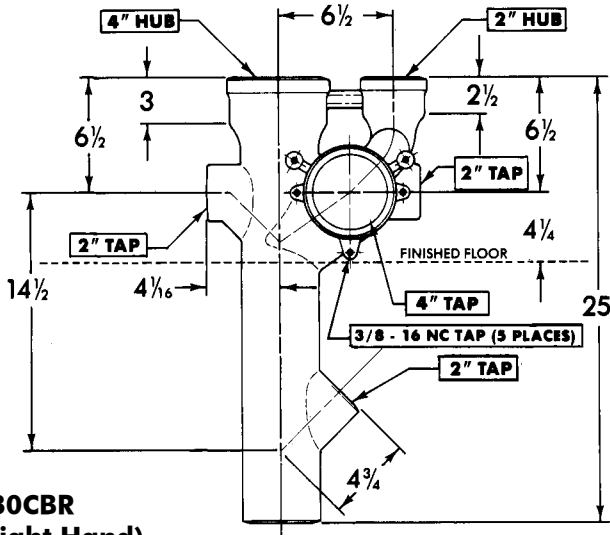
# CHICAGO RUFWALL SPECIAL FITTINGS

Note: For typical applications, consult your local Tyler representative.



**4" Back Outlet Closet Fitting**  
**4" Tap W.C. connections**  
**w/front & back 2" Waste Tee Tap**  
**and 2" Wye Tap on Stack Front**

UPCode	Item	Weight
67061		
005667	130CBR	41
005674	130CBL	41
005681	130CBD	44

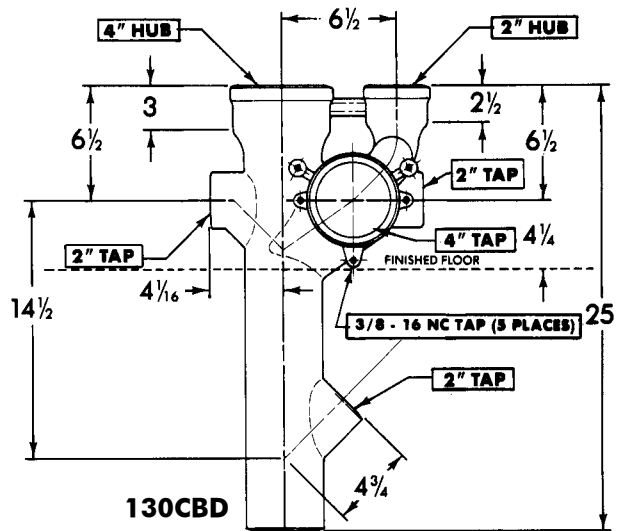
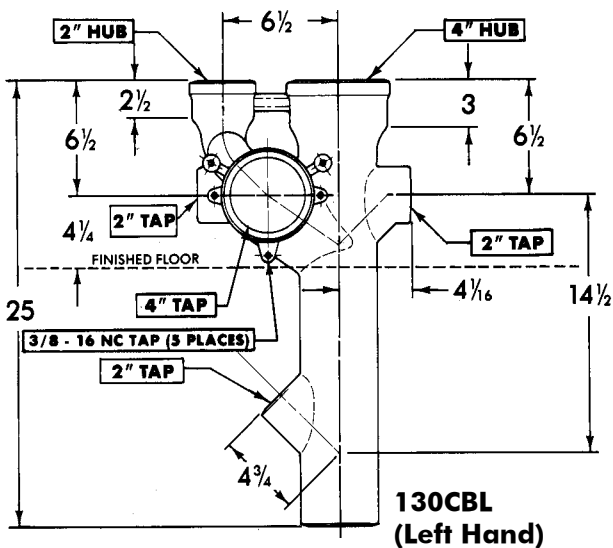
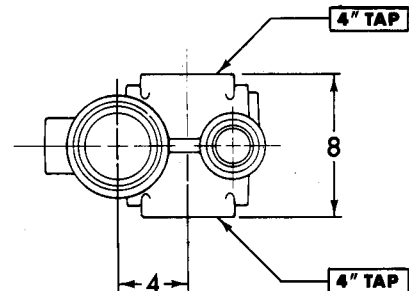
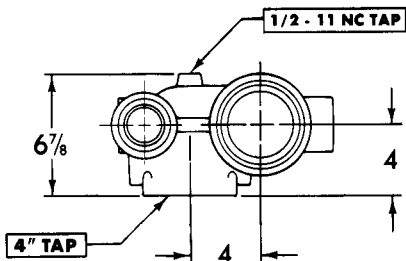


**4" Back Outlet Closet Fitting**  
**4" Tap W.C. connections**  
**w/front & back 2" Waste Tee Tap**

UPCode	Item	Weight
67061		
243854	130CBR-MOD*	41
243847	130CBL-MOD*	41

\*(MOD = No Wye Tap, No Boss)

**130CBR**  
**(Right Hand)**



**130CBL**  
**(Left Hand)**

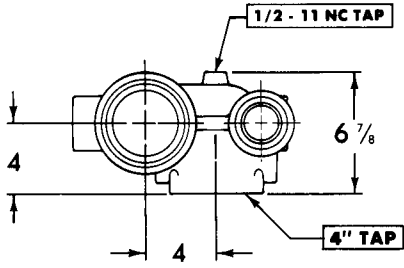
**130CBD**





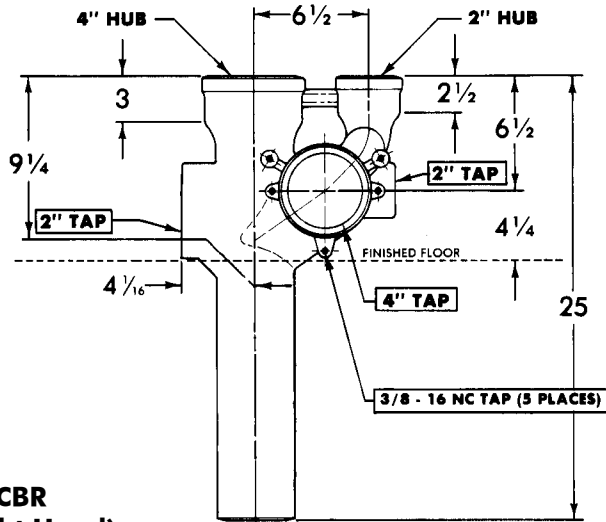
# CHICAGO RUFWALL SPECIAL FITTINGS

Note: For typical applications, consult your local Tyler representative.

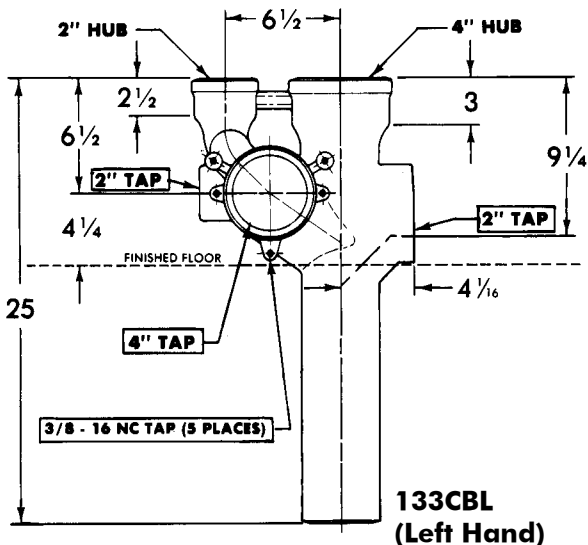
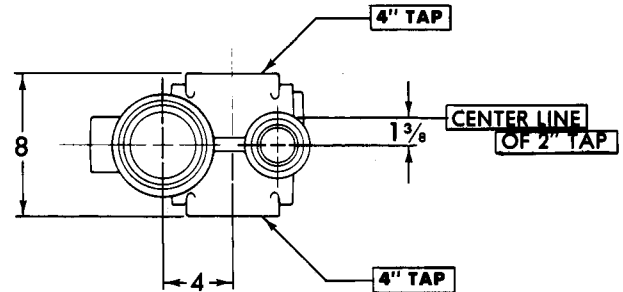
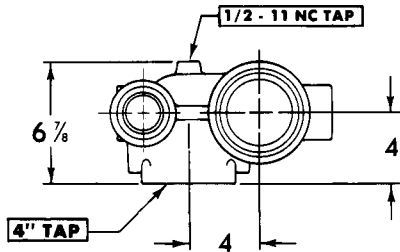


**4" Back Outlet,  
4" Tap W.C. connections  
w/two 2" Waste Tee Taps**

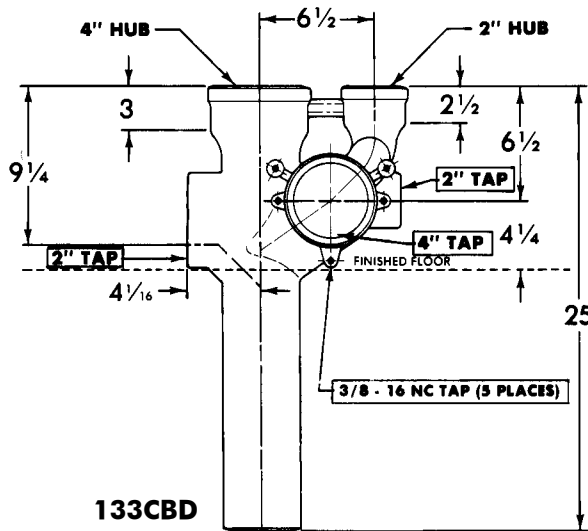
UPCode 67061	Item	Weight
005704	133CBR	41
005711	133CBL	41
005728	133CBD	44



**133CBR  
(Right Hand)**



**133CBL  
(Left Hand)**

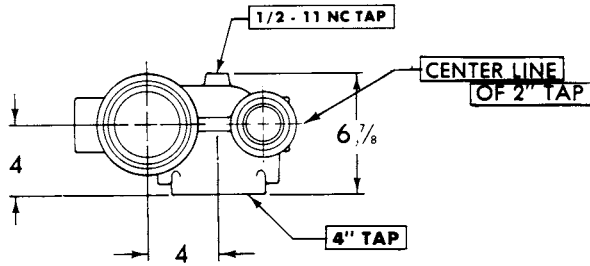


**133CBD**



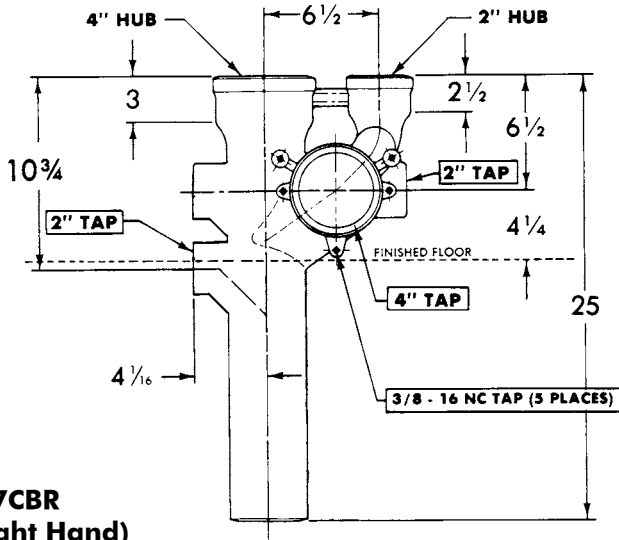
# CHICAGO RUFWALL SPECIAL FITTINGS

Note: For typical applications, consult your local Tyler representative.

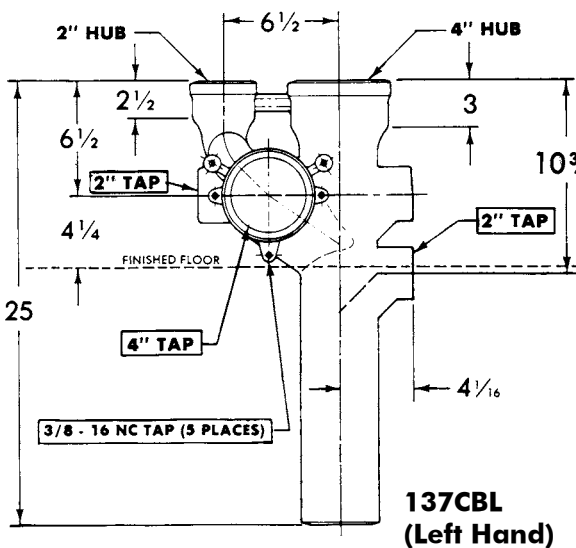
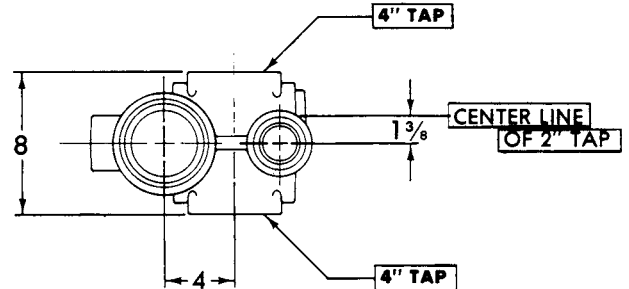
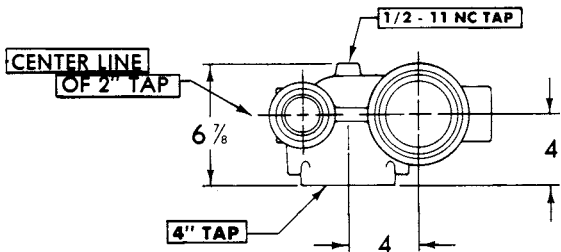


**4" Back Outlet,  
4" Tap W.C. connections  
w/two or three Waste Tee Taps,  
2" Waste Tee Tap on floor line**

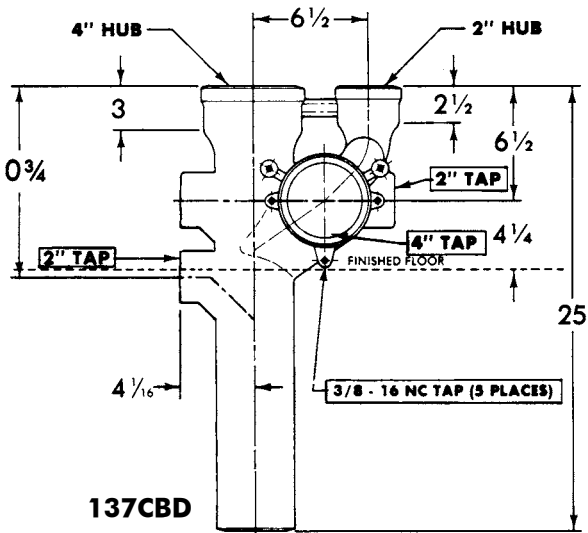
UPCode 67061	Item	Weight
005735	137CBR	41
005742	137CBL	41
005759	137CBD	44



**137CBR  
(Right Hand)**



**137CBL  
(Left Hand)**

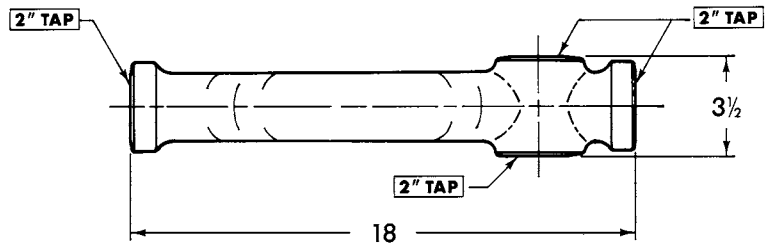
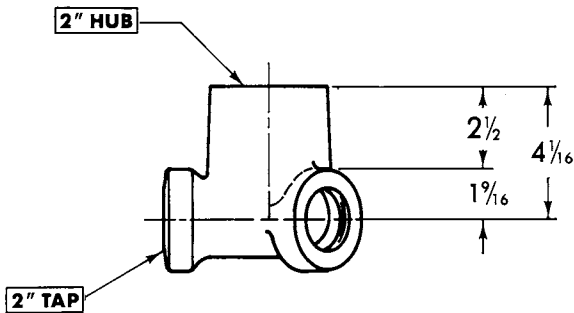
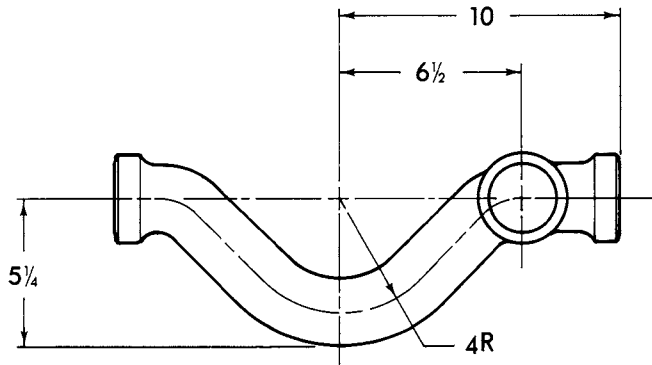
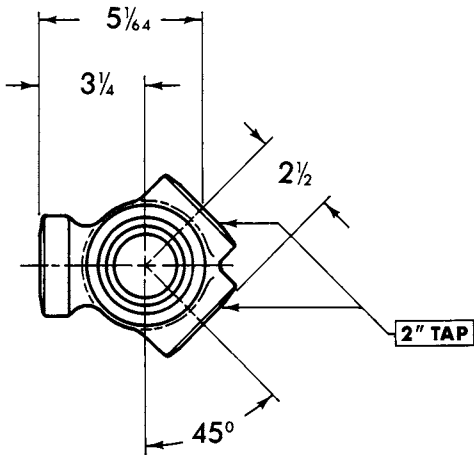


**137CBD**



## CHICAGO RUFWALL SPECIAL FITTINGS

Note: For typical applications, consult your local Tyler representative.

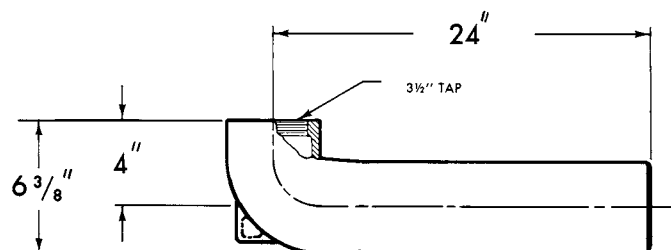
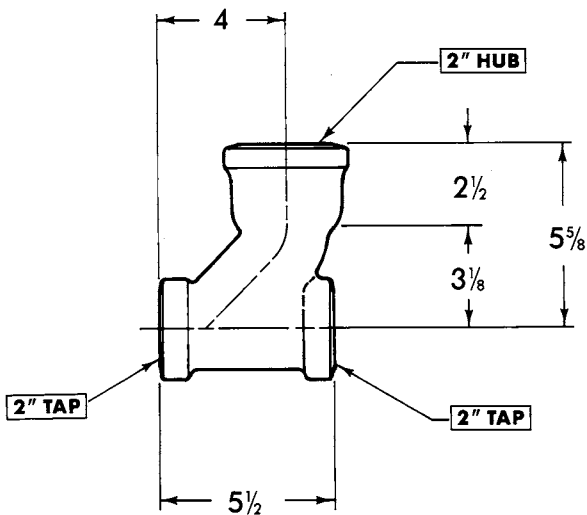


**2" Tapped Bath Wye  
w/2" Hub Vent**

**2" Tapped Vent Bypass  
w/two 2" side taps**

UPCode	Item	Weight
67061		
005766	555C	7

UPCode	Item	Weight
67061		
005780	233C	10



**2" Tapped Long Sweep Tee  
(Taps on Run, Hub on Rise)**

**Tapped Closet Bends  
(4" Spigot, 3 1/2" on Rise)  
3 1/2" Plug Not Included**

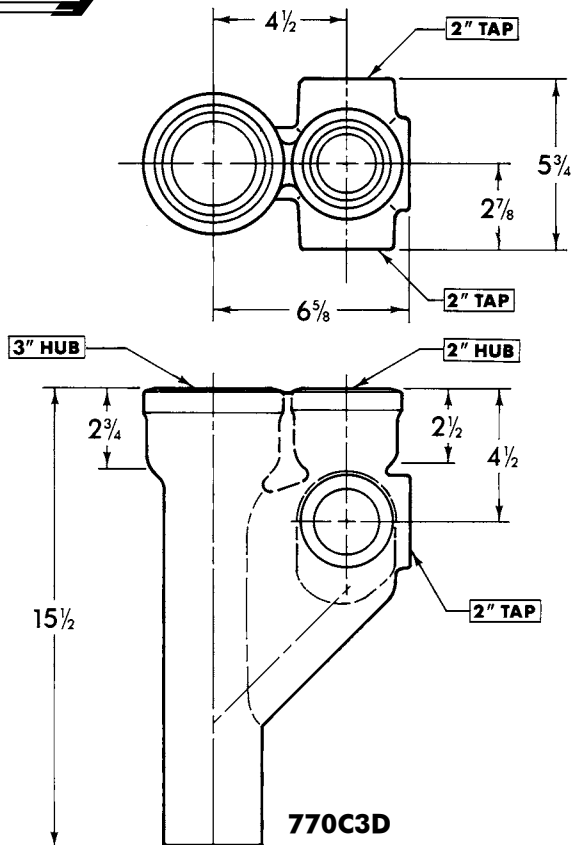
UPCode	Item	Weight
67061		
005773	491C	7

UPCode	Item	Size	Weight
67061			
005803	410C	3 1/2x4-24	21

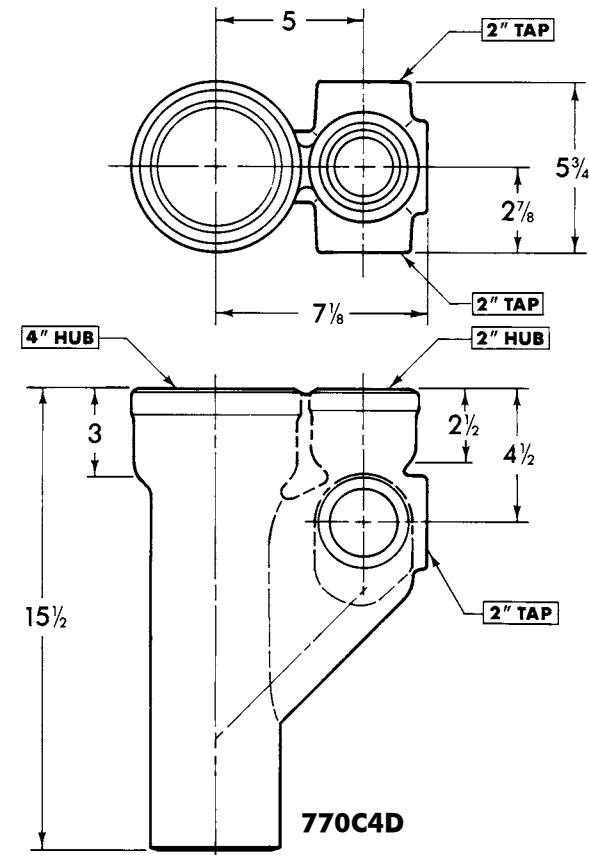


# CHICAGO RUFWALL SPECIAL FITTINGS

Note: For typical applications, consult your local Tyler representative.



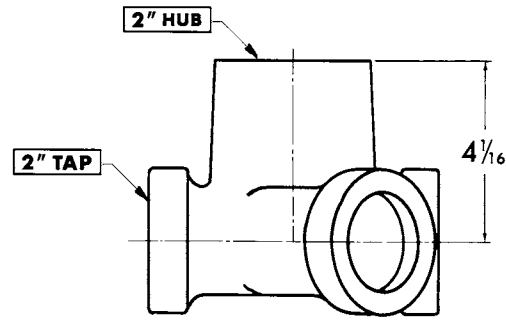
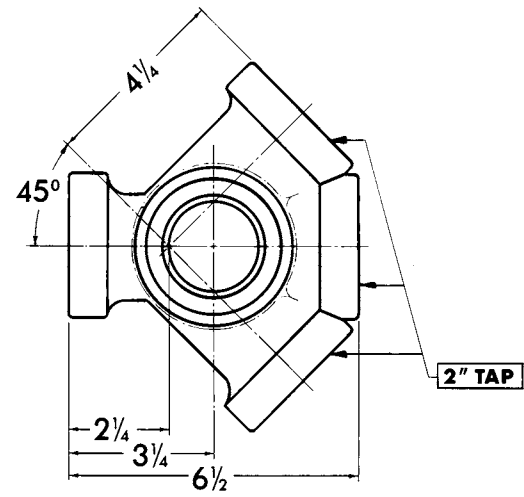
**770C3D**



**770C4D**

## Sink Stack w/three 2" Waste Taps

UPCode 67061	Item	Size	Weight
005810	770C2D	2x1 1/2	17
005827	770C3D	3x2	19
005834	770C4D	4x2	22



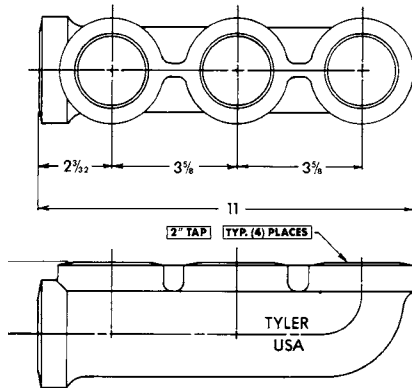
## 2" Tapped Double Wye w/2" Hub Vent

UPCode 67061	Item	Weight
005841	560	10



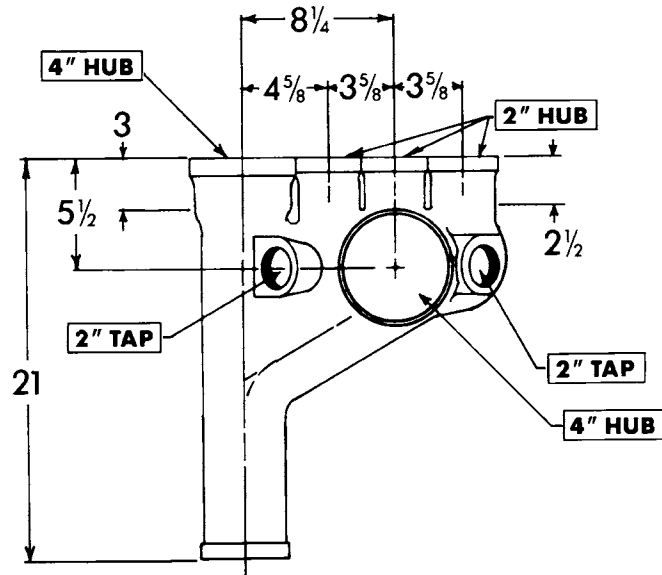
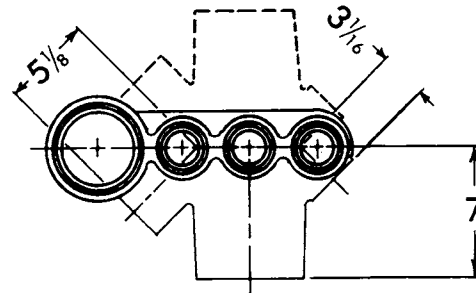
## CHICAGO RUFWALL SPECIAL FITTINGS

Note: For typical applications, consult your local Tyler representative.



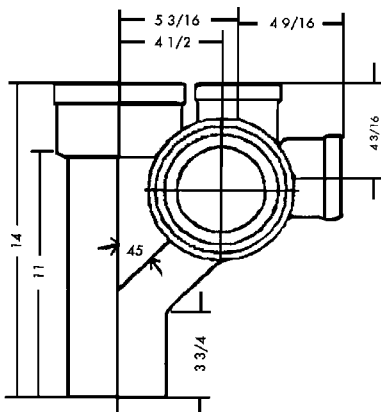
### 2" Manifolds w/three 2" Tee Taps

UPCode	Item	Weight
67061		
005889	1801	7



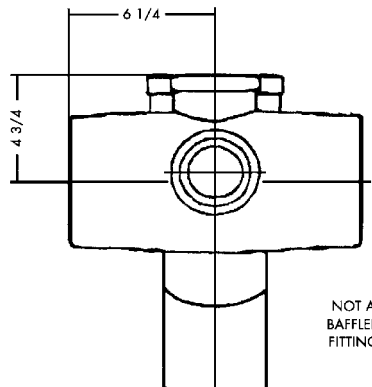
### 1739 Waste Tee/Cross w/three 2" hubs and Two 2" Waste Tee Taps

UPCode	Item	Weight
67061		
005858	1739R	45
005865	1739L	45
005872	1739D	56



### SV 458 Vented Closet Tee with 2" Top Vent and 2" Extended Side Inlet Right Hand or Left Hand (ILLUSTRATION SHOWS RIGHT HAND)

UPCode	Size	Weight
67061		
005575	4x4x2x2x4 RH	37
005582	4x4x2x2x4 LH	37



### SV459D Vented Closet Cross with 2" Top Vent and 2" Extended Side Inlet

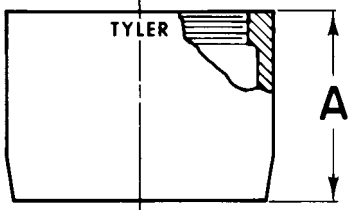
UPCode	Size	Weight
67061		
005599	4x4x2x2x4	47



# FERRULES, CLEANOUTS, ADAPTORS

## CLEANOUT BODIES

Standard Ferrule 2-11 is made according to Soil Pipe Standards. It is approved for use in all areas where codes do not require special local designs. Tapping sizes 2½, 3½, 4, 5 and 6 will admit conventional full opening test plugs.

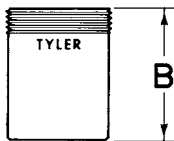


### 2-11 STANDARD FERRULE

Ship Code	UPCode 670610	Pipe Size	Tap Size	A	Wt.
S	023210	2	1½	2¾	1.0
S	023234	3	2½	3	2.0
S	023258	4	3	3¼	2.4
S	023272	4	3½	3¼	3.0
S	023296	5	4	4¾	4.0
S	023319	6	5	4½	5.0
S	023333	8	6	4⅝	10.5
S	023357	10	6	4½	18.0
S	023388	12	6	5⅝	24.0
S	023364	15	6	5⅝	45.0

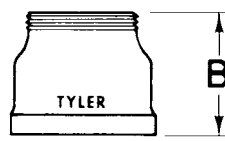
### 2-11 STANDARD FERRULE W/ TYPE A PLUG

Ship Code	UPCode 670610	Pipe Size	Tap Size	A	Wt.
S	023395	2	1½	2¾	1.2
S	023425	3	2½	3	2.4
S	023456	4	3	3¼	3.1
S	023487	4	3½	3¼	3.8
S	023517	5	4	4¾	5.0
S	023548	6	5	4½	6.3
S	023586	8	6	4⅝	12.7
S	023609	10	6	4½	20.3
S	023630	12	6	5⅝	26.3
S	023616	15	6	5⅝	47.3



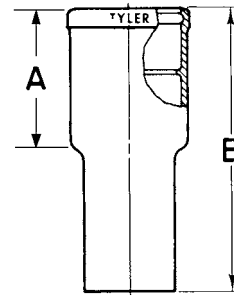
### 2-41 SPIGOT ADAPTOR (SV or No-Hub)

Ship Code	UPCode 670610	SP - IPS	B	Wt.
S	024446	2-2	5½	2.0
S	024453	3-3	5½	3.5
S	024460	4-4	5½	4.5



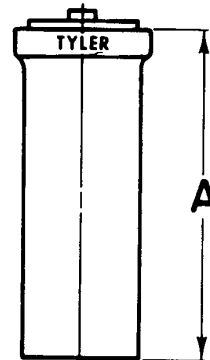
### 2-40 HUB ADAPTOR Not Suitable for Ty-Seal®

Ship Code	UPCode 670610	Hub - IPS	B	Wt.
S	022121	2-2	4⅝	3.0
S	022138	3-3	4⅝	5.0
S	022145	4-4	4⅝	6.0



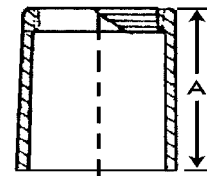
### INSERTABLE JOINT (SV Only)

Ship Code	UPCode 670610	Size	A	B	Wt.
N	428336	2	6	14	7
N	428336	2	6	14	7
N	024415	3	8	16	11
N	024422	4	7	14½	14
S	384731	5	9	15⅞	17
N	383178	6	8½	16⅜	22
N	102717	8	10	18	37



### 2-20 EXTENSION CLEANOUT (less plug) (SV or No-Hub)

Ship Code	UPCode 670610	Size- Length	IPS	A	Wt.
S	024118	4-8	3½	8	8.0
S	024125	4-12	3½	12	10.5

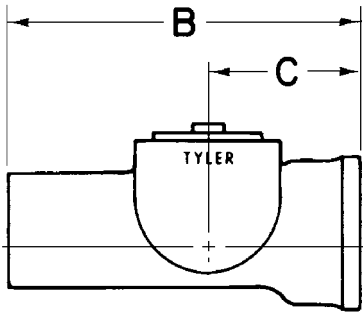


### SV TAPPED SPIGOT

Ship Code	UPCode 670610	Size	A	Wt.
S	111719	4x2	4¼	4.7



# TEST TEES & PLUGS, SADDLES, DROP LID



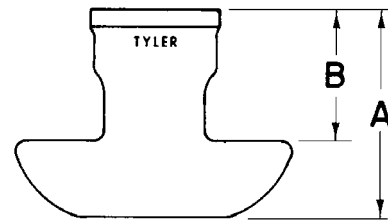
**2-70 TEST TEE  
(SV Less Plug)**

Ship Code	UPCode 670610	Pipe Size	Tap Size	B	C	Wt. SV
S	024507	2	2	10 <sup>3</sup> / <sub>8</sub>	4 <sup>1</sup> / <sub>4</sub>	6.0
S	024521	3	3	12 <sup>3</sup> / <sub>4</sub>	5 <sup>1</sup> / <sub>2</sub>	10.0
S	024545	4	3 <sup>1</sup> / <sub>2</sub>	13 <sup>7</sup> / <sub>8</sub>	6	14.0
S	024569	*4	3 <sup>1</sup> / <sub>2</sub>	11 <sup>3</sup> / <sub>4</sub>	5 <sup>3</sup> / <sub>4</sub>	10.0
S	024583	4	4	13 <sup>7</sup> / <sub>8</sub>	6	14.0
S	024576	*4	4	11 <sup>3</sup> / <sub>4</sub>	5 <sup>3</sup> / <sub>4</sub>	10.0
S	024606	5	5	15	7 <sup>1</sup> / <sub>8</sub>	22.0
S	024613	6	6	16	7 <sup>1</sup> / <sub>8</sub>	26.0
S	024644	8	6	16	7	52.0
S	024637	8	8	20 <sup>1</sup> / <sub>2</sub>	9 <sup>1</sup> / <sub>2</sub>	47.0
S	024668	10	10	20 <sup>1</sup> / <sub>2</sub>	9 <sup>7</sup> / <sub>8</sub>	73.0

**2-70 TEST TEE  
W/ TYPE A PLUG**

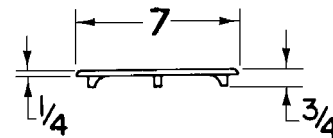
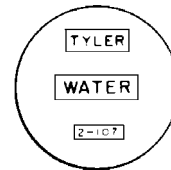
Ship Code	UPCode 670610	Pipe Size	Tap Size	B	C	Wt. SV
S	024675	2	2	10 <sup>3</sup> / <sub>8</sub>	4 <sup>1</sup> / <sub>4</sub>	6.3
S	024699	3	3	12 <sup>3</sup> / <sub>4</sub>	5 <sup>1</sup> / <sub>2</sub>	10.7
S	024750	4	3 <sup>1</sup> / <sub>2</sub>	13 <sup>7</sup> / <sub>8</sub>	6	14.8
S	024712	*4	3 <sup>1</sup> / <sub>2</sub>	11 <sup>3</sup> / <sub>4</sub>	5 <sup>3</sup> / <sub>4</sub>	10.8
S	024774	4	4	13 <sup>7</sup> / <sub>8</sub>	6	15.0
S	024736	*4	4	11 <sup>3</sup> / <sub>4</sub>	5 <sup>3</sup> / <sub>4</sub>	11.0
S	024798	5	5	15	7 <sup>1</sup> / <sub>8</sub>	23.3
S	024811	6	6	16	7 <sup>1</sup> / <sub>8</sub>	28.3
S	024828	8	6	16	7	54.3
S	024835	8	8	20 <sup>1</sup> / <sub>2</sub>	9 <sup>1</sup> / <sub>2</sub>	53.5
S	025436	**10	10	20 <sup>1</sup> / <sub>2</sub>	9 <sup>7</sup> / <sub>8</sub>	80.0
S	383079	†12	8	22 <sup>3</sup> / <sub>4</sub>	9 <sup>3</sup> / <sub>4</sub>	90.0

\*Short Laying Length  
 \*\*Type "O" Plug Furnished  
 † Southern Raised Head



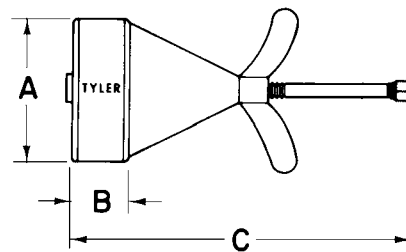
**2-105 SEWER SADDLE**

Ship Code	UPCode 670610	Size	A	B	Wt.
S	025498	6x4	6	3 <sup>1</sup> / <sub>2</sub>	12.0



**2-107 DROP LID  
Fits 6" Spigot**

Ship Code	UPCode 670610	Wt.
S	022831	3.2



**2-90 WING NUT TEST PLUG**

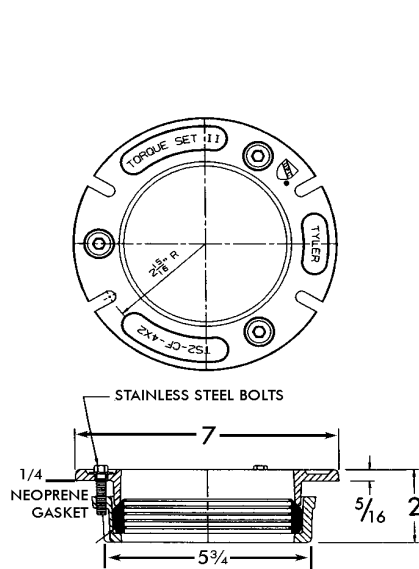
Ship Code	UPCode 670610	Item	Size	A	B	C	SV
S	022503	2-91	1 <sup>1</sup> / <sub>2</sub>	1 <sup>3</sup> / <sub>8</sub>	1	10 <sup>3</sup> / <sub>4</sub>	1.5
S	022510	2-92	2	1 <sup>7</sup> / <sub>8</sub>	1	10 <sup>3</sup> / <sub>4</sub>	1.5
S	022527	2-93	3	2 <sup>7</sup> / <sub>8</sub>	1 <sup>1</sup> / <sub>2</sub>	11 <sup>1</sup> / <sub>2</sub>	2.5
S	022534	2-94	4	3 <sup>5</sup> / <sub>8</sub>	2 <sup>1</sup> / <sub>8</sub>	12 <sup>1</sup> / <sub>2</sub>	4.5
S	022541	2-95	5	4 <sup>1</sup> / <sub>2</sub>	2 <sup>3</sup> / <sub>8</sub>	17 <sup>1</sup> / <sub>2</sub>	5.0
S	022558	2-96	6	5 <sup>1</sup> / <sub>2</sub>	2 <sup>3</sup> / <sub>8</sub>	17 <sup>1</sup> / <sub>2</sub>	6.0
S	022565	2-98	8	7 <sup>5</sup> / <sub>8</sub>	2 <sup>7</sup> / <sub>8</sub>	17 <sup>1</sup> / <sub>2</sub>	11.0
S	022572	2-90-0	10	9 <sup>5</sup> / <sub>8</sub>	3 <sup>3</sup> / <sub>8</sub>	18	20.0
S	022589	2-90-2	12	11 <sup>3</sup> / <sub>4</sub>	3 <sup>1</sup> / <sub>2</sub>	15	36.0
S	022596	2-90-5	15	14 <sup>3</sup> / <sub>4</sub>	3 <sup>1</sup> / <sub>2</sub>	15	45.0

**SHIPPING CODE**

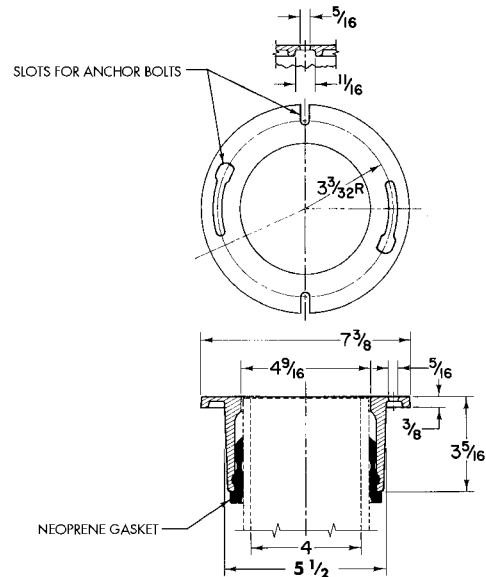
**S** = From Stock  
**N** = Non-Stock; Check in advance for availability.



## 2-252 SERIES CLOSET FLANGES



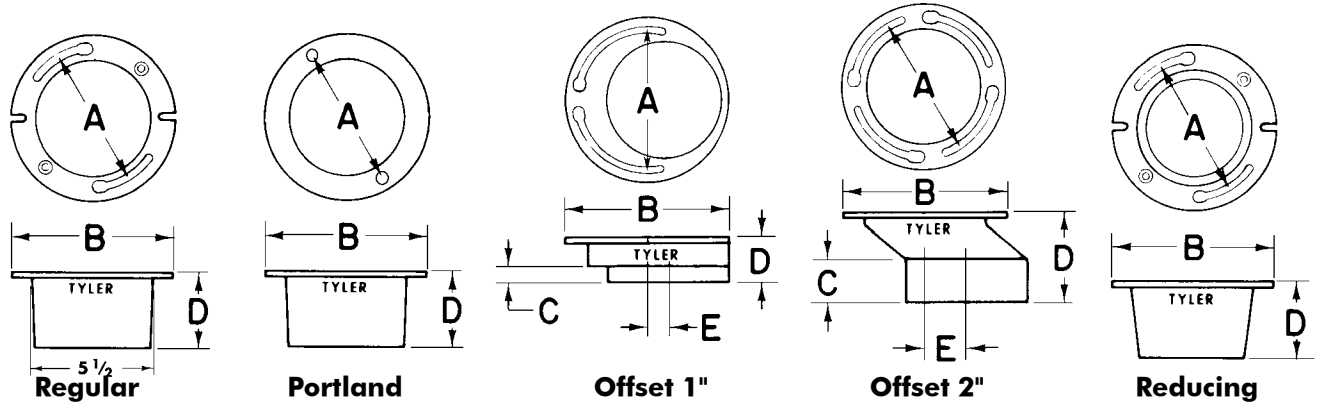
**2-252TS**  
Torque Set Closet Flange  
Fits 4" No-Hub or SV Pipe



**2-252TY\***  
Push-On Closet Flange  
U.S. Pat. No. 4,470,162

Ship Code	UPCode 670610	Item	Size	Wt.
S	022992	2-252TS	4x2 Torque Set	4.2
S	022954	2-252TY	4 Ty-Seal Hub*	5.8

\*For minimum dimensions installed, see page 51



**2-252 CLOSET FLANGE (Caulk Joint Application)**

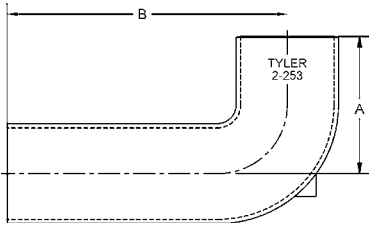
Ship Code	UPCode 670610	Size x Height	A	B	C	D	E	Wt.
S	022848	4x1	6 1/4	7 1/4	...	1	...	2.0
S	022855	4x1 1/2	6 1/4	7 1/4	...	1 1/2	...	2.0
S	022862	4x2	6 1/4	7 1/4	...	2	...	2.0
S	022923*	4x2	6 3/8	7 1/4	...	2	...	2.8
S	022879	4x2 1/2	6 1/4	7 1/4	...	2 1/2	...	3.0
S	022886	4x3	6 1/4	7 1/4	...	3	...	4.0
S	022893	4x4	6 1/4	7 1/4	...	4	...	5.0
S	022930*	4x4	6 3/8	7 1/4	...	4	...	5.0
S	022909	4x5	6 1/4	7 1/4	...	5	...	6.0
S	022916	4x6	6 1/4	7 1/4	...	6	...	6.0
S	022978	4x2, 1" Offset	6	7	5/8	2	1	2.5
S	022985	4x4, 2" Offset	6 1/4	7 1/4	2	4	2	4.5
S	022947	4x3-3" Reducing	6 1/4	7 1/4	...	3	...	3.0

\*Portland Code, two 1/4" taps on top.



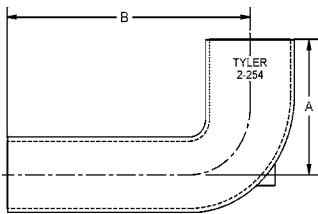


# PLAIN END CLOSET BENDS



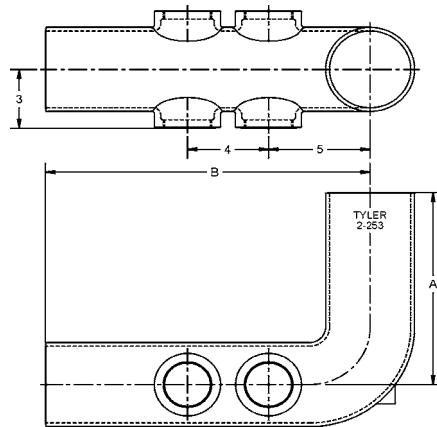
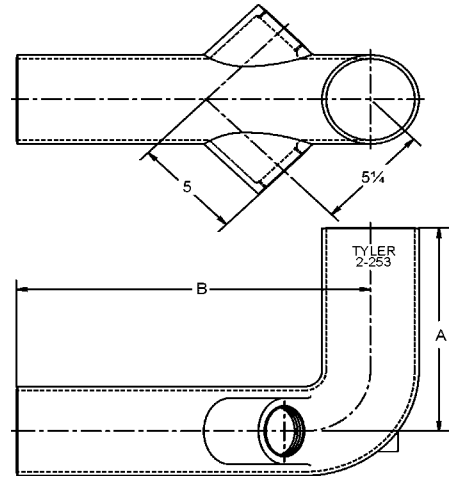
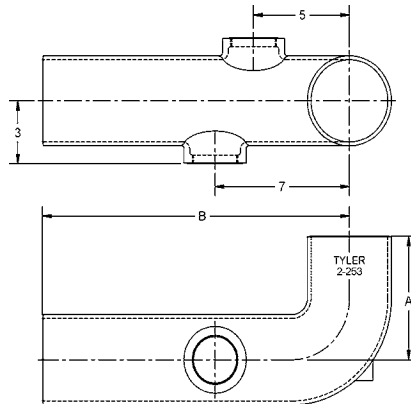
**SERIES 2-253 PLAIN END CLOSET BENDS**

Ship Code	UPCode 670610	Size	Dimensions		Wt.
			A	B	
S	382621	3	16	16	15.0
S	025504	4	4	12	10.0
S	025511	4	4	14	12.0
S	025528	4	4	16	15.0
S	025535	4	4	18	17.0
S	025542	4	6	12	11.0
S	025566	4	6	15	14.0
S	025573	4	6	16	16.0
S	025580	4	6	18	18.0
S	025726	4	8	12	10.0
S	025733	4	8	16	14.0
S	025757	4	10	12	13.0
S	025771	4	10	16	17.0
S	025788	4	10	18	19.0
S	025795	4	12	12	12.0
S	025801	4	12	14	14.0
S	025818	4	12	16	20.0
S	025825	4	12	18	20.0
S	025832	4	14	16	16.0
S	025849	4	14	18	22.0
S	025856	4	16	16	22.0
S	025863	4	16	18	22.0
S	025962	4	18	18	25.0



**SERIES 2-254 PLAIN END REDUCING CLOSET BENDS**

Ship Code	UPCode 670610	Size	Dimensions		Wt.
			A	B	
S	025979	4x3	6	12	11.0
S	025986	4x3	6	15	12.0
S	025993	4x3	6	16	13.0
S	026006	4x3	6	18	14.0
S	026020	4x3	8	16	14.0
S	026037	4x3	10	12	13.0
S	026044	4x3	10	15	15.0
S	026068	4x3	10	18	17.0
S	026075	4x3	12	12	15.0
S	026105	4x3	12	18	19.0
S	026099	4x3	16	16	20.0
S	026129	4x3	18	18	24.0



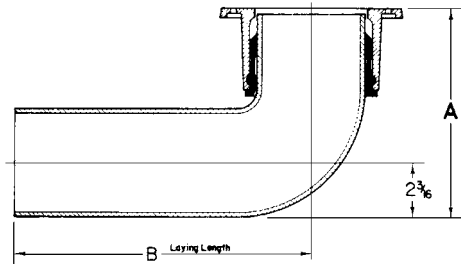
**2-253 NORTHEAST SPECIAL SERIES CLOSET BENDS with 1 1/2" or 2" Side Taps**

Ship Code	UPCode 670610	Size	Dimensions Height(A) & Length(B)-Taps	Wt.
S	025634	4	6x16xT2-1 1/2,LH,RH	18.0
N	025658	4	6x16xT2-2,LH,RH	21.0
S	276876	4	6x16xT4-1 1/2,2LH,2RH	27.0
N	276883	4	6x16xT4-2,2LH,2RH	24.0
S	277439	4	6x24xT2-1 1/2,LH,RH	24.0
N	025641	4	6x24xT2-2,LH,RH	24.0
N	360537	4	6x2,(NO TAPS)	24.0
S	025917	4	16x16xT2-1 1/2,LH,RH	22.0
S	284789	4	16x16xT4-1 1/2,2LH,2RH	27.0
N	277446	4	16x16xT4-2,2LH,2RH	24.0
S	284819	4	16x16xY2-1 1/2,LH,RH	21.0
N	025955	4	16x16xY2-2,LH,RH	18.0



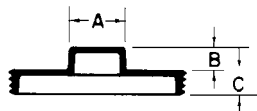
# CLOSET BENDS BRASS CLEANOUT PLUGS

MINIMUM DIMENSIONS FOR 2-252TY PUSH-ON CLOSET FLANGE WHEN USED WITH 2-253 4" CLOSET BENDS



### PUSH-ON CLOSET FLANGE INSTALLATION

2-253 CLOSET BENDS	A	B
4x6	8	12"-18"
4x8	10 1/4	12"-18"
4x10	12 1/4	12"-18"
4x12	14 1/4	12"-18"
4x14	16 1/4	16"-18"
4x16	18 1/4	16"-18"
4x18	20 1/4	18"



### TYPE A LOW SQUARE HEAD

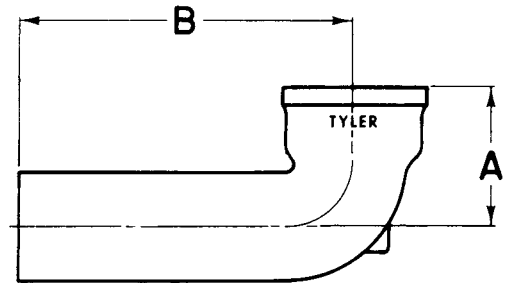
Ship Code	UPCode 670610	IPS	A	B	C	Wt.
S	021551	1 1/4	1 1/16	5/16	13/32	.1
S	021568	1 1/2	3/4	5/16	3/8	.2
S	021575	2	1 5/16	5/16	7/16	.3
S	021582	2 1/2	1	5/16	7/16	.4
S	021599	3	1 1/8	7/16	15/32	.7
S	021605	3 1/2	1 1/8	3/8	1/2	.8
S	021612	4	1 3/32	3/8	1/2	1.0
S	021629	5	1 3/8	7/16	1/2	1.3
S	021636	6	1 3/8	1/2	5/8	2.3
S	021643	8	1 5/8	1/2	3/4	3.5
S	021889	10*	2	1	3/4	6.5

\* Type "O"



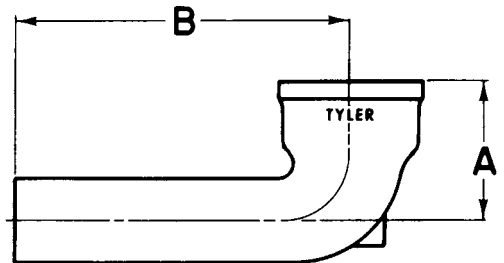
### TYPE H FOUR LUG FLANGE

Ship Code	UPCode 670610	IPS	B	C	Lugs	Wt.
S	333258	2	1/2	5/8	2	1.3
S	333272	3	1/2	5/8	4	1.9
S	333289	3 1/2	1/2	5/8	4	2.1
S	333296	4	5/8	5/8	4	2.8
S	333302	5	3/4	1	4	4.0
S	333319	6	5/8	1	4	5.1



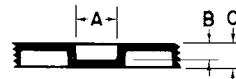
### SERIES 2-256 CLOSET BENDS SV Only

Ship Code	UPCode 670610	Size	Dimensions		Wt.
			A	B	
S	026136	4	5 3/4	12	12.0
S	026143	4	5 3/4	14	14.0
S	026150	4	5 3/4	16	16.0
S	026167	4	5 3/4	18	18.0



### SERIES 2-257 CLOSET BENDS SV Only

Ship Code	UPCode 670610	Size	Dimensions		Wt.
			A	B	
S	026174	4x3	5 3/4	16	15.0



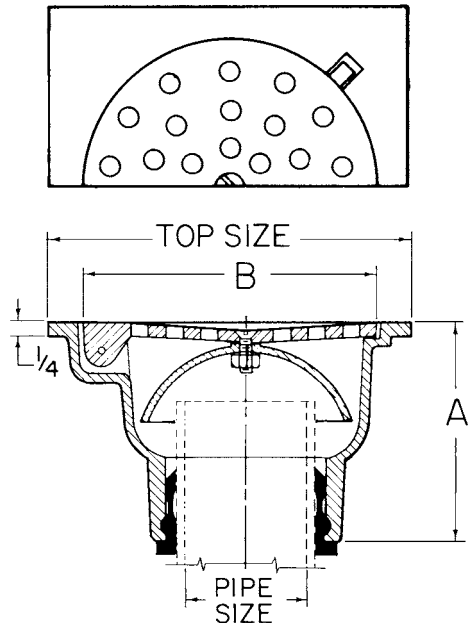
### TYPE S PLAIN COUNTERSUNK

Ship Code	UPCode 670610	IPS	A	B	C	Wt.
S	021896	1 1/2	1 1/16	5/16	3/8	.3
S	021902	2	3/4	5/16	7/16	.4
S	021919	2 1/2	3/4	5/16	7/16	.6
S	021926	3	7/8	5/16	15/32	.7
S	021933	3 1/2	1 5/16	3/8	1/2	.8
S	021940	4	7/8	3/8	1/2	1.0
S	021957	5	1 1/8	3/8	1/2	1.2
S	021964	6	1 7/16	1/2	5/8	1.8
S	021971	8	1 7/16	1/2	3/4	3.3

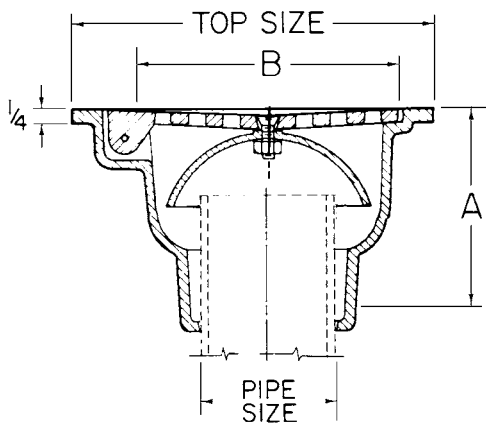
### SHIPPING CODE

S = From Stock

N = Non-Stock; Check in advance for availability.



**SERIES 300-TY CESSPOOL OR AREA DRAIN With HINGED STRAINER (With Bell)**  
**Cast Iron Body with Square Top**  
 Perforated Round Hinged Strainer in Cast Iron.  
 TY-Seal Hub (TY for push-on connection)



**300-IC SERIES CESSPOOL OR AREA DRAIN with LOOSE STRAINER (With Bell)**  
**Cast Iron Body with Square Top**  
 Perforated Round Loose removable Strainer in Cast Iron. Inside Caulk (IC).

**SERIES 300-TY CESSPOOL OR AREA DRAIN with HINGED STRAINER (With Bell)**

Ship Code	UPCode 670610	Drain	Outlet	Top	Height A	Strainer B	Wt.
S	026440	TY	2	6x6	4	4 <sup>7</sup> / <sub>8</sub>	5.0
S	026488	TY	3	9x9	4 <sup>3</sup> / <sub>4</sub>	6 <sup>7</sup> / <sub>8</sub>	11.0
S	026525	TY	4	12x12	5 <sup>1</sup> / <sub>4</sub>	9 <sup>5</sup> / <sub>8</sub>	18.0

**300 PARTS/BELL & SCREW (FITS ALL 300's)**

Ship Code	UPCode 670610	Fits Outlet	Bell Size	Wt.
S	363323	2	3 <sup>1</sup> / <sub>4</sub>	.2
S	363330	3	3 <sup>3</sup> / <sub>4</sub>	.3
S	363347	4	6	.4

**300 PARTS/HINGED STRAINER, CAST IRON**

Ship Code	UPCode 670610	Fits Outlet	Strainer Size	Wt.
S	026259	2	4 <sup>7</sup> / <sub>8</sub>	.8
S	026358	3	6 <sup>7</sup> / <sub>8</sub>	1.6
S	026426	4	9 <sup>5</sup> / <sub>8</sub>	2.8

**300 PARTS/LOOSE STRAINER, CAST IRON**

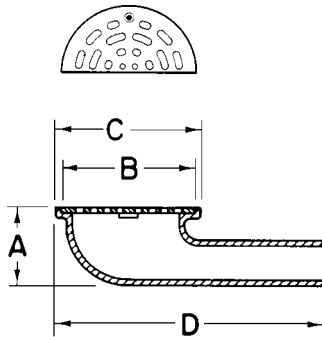
Ship Code	UPCode 670610	Fits Outlet	Strainer Size	Wt.
S	026242	2	4 <sup>7</sup> / <sub>8</sub>	.8
S	026365	3	6 <sup>7</sup> / <sub>8</sub>	1.6
S	026419	4	9 <sup>5</sup> / <sub>8</sub>	2.8

**300-IC SERIES CESSPOOL DRAIN with LOOSE STRAINER (With Bell)**

Ship Code	UPCode 670610	Drain	Outlet	Top	Height A	Strainer B	Wt.
S	026778	IC	2	6x6	3 <sup>1</sup> / <sub>2</sub>	4 <sup>7</sup> / <sub>8</sub>	4.0
S	026815	IC	3	9x9	5	6 <sup>7</sup> / <sub>8</sub>	10.0
S	026853	IC	4	12x12	5	9 <sup>5</sup> / <sub>8</sub>	17.0



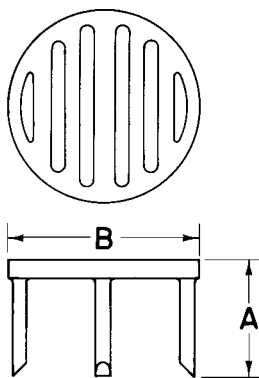
# DRAINS, BAR GRATES & VENT CAPS



## SERIES 400 SIDE OUTLET AREA DRAIN

Furnished in Cast Iron Spigot outlet with **vandal proof Cast Iron Strainer**. Fits **TY-SEAL** gasket or can be joined with **Tyler No-Hub Coupling**

Ship Code	UPCode 670610	Outlet	Height A	Strainer B	Top C	Length D	Wt.
S	028772	2	3½	6¾	7¾	14	10.3
S	028796	3	5½	8⅞	10	16	18.6
S	028802	4	7	11	12	17	27.5

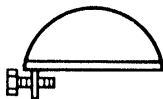


## SERIES 547 BAR GRATE with LEGS

Serves as simple drain used in soil pipe hub openings

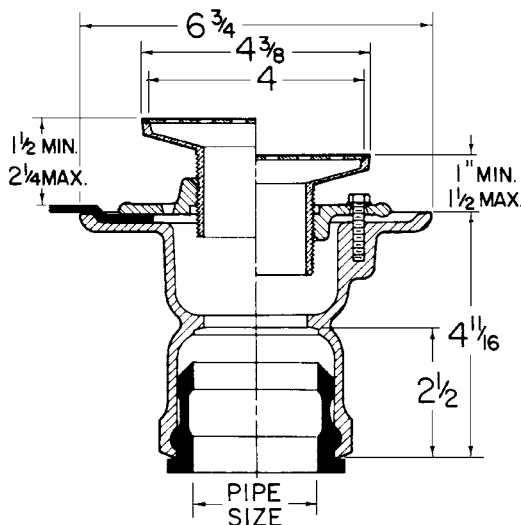
Ship Code	UPCode 670610	Fits Hub	A	B	Weight
S	027195	2	2.5	3	1.0
S	027218	3	2.7	3⅞	2.0
S	027232	4	3.0	4⅞	2.5
S	027256	6	3.0	6¾	4.0
S	027270	8	3.5	9¼	8.0

## VENT CAP W/SET SCREW



Ship Code	UPCode 670610	Fits Spigot	Wt.
N	014584	3	4
N	014591	4	4

## SERIES 697-TY PUSH ON SHOWER DRAIN For Composite



### Cast Iron Body

Bolted **Clamping Ring** to permit usage with thick flashing materials, reversible for extra height  
Collar contains **Weep Holes** for supplemental drainage  
Adjustable **Stainless Steel Strainer**

### PUSH-ON

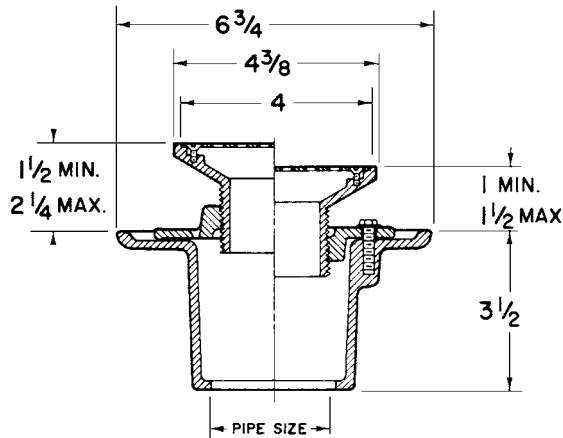
Gasket connection to SV, No-Hub or PVC

Ship Code	UPCode 670610	Pipe Size	Outlet	Weight
S	027485	2	TY	8.0



# SHOWER & FLOOR DRAINS

## SERIES 697-IC SHOWER DRAIN For Composite



### 697-IC

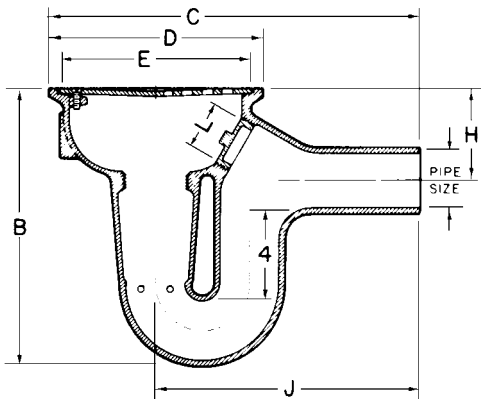
#### Cast Iron Body

Bolted **Clamping Ring** to permit usage with thick flashing materials, reversible for extra height  
Collar contains **Weep Holes** for supplemental drainage

Adjustable **Stainless Steel Strainer**  
**Inside Caulk Outlet**

Ship Code	UPCode 670610	Pipe Size	Outlet	Weight Lbs.
S	027676	2	IC	6.1

## SERIES 710 FLOOR DRAIN with Integral Trap and concealed Cleanout



### 710

**Cast Iron Body** with Integral "P" trap and concealed cleanout opening.

Tapped to receive 775 back water valve.

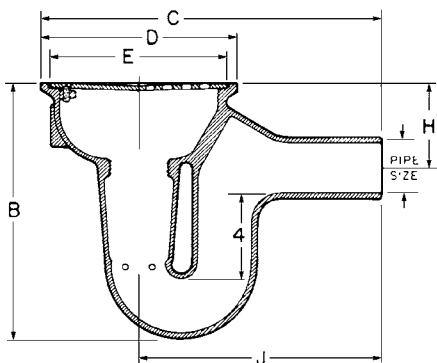
Spigot outlets fits SV **Ty-Seal** gasket joint or may be joined with **No-Hub coupling**.

**NOTE:** For 775 back water valve, see next page.

### DIMENSIONS in Inches

Ship Code	C.I. Strainer UPCode 670610	Ship Code	N/B Strainer UPCode 670610	Outlet	Pipe Size	Height B	Length C	Top D	Strainer E	H	J	Cleanout L	Wt. Lbs.
S	029007	N	029021	Spigot	2	9 <sup>3</sup> / <sub>4</sub>	13	7 <sup>1</sup> / <sub>2</sub>	6 <sup>3</sup> / <sub>4</sub>	3 <sup>1</sup> / <sub>4</sub>	9 <sup>3</sup> / <sub>8</sub>	1 <sup>1</sup> / <sub>2</sub>	17.4
S	029076	N	029083	Spigot	3	11 <sup>5</sup> / <sub>8</sub>	18	10	8 <sup>7</sup> / <sub>8</sub>	3 <sup>1</sup> / <sub>4</sub>	13	1 <sup>1</sup> / <sub>2</sub>	28.2
S	029120	N	029137	Spigot	4	14 <sup>1</sup> / <sub>4</sub>	21	12	11	4 <sup>1</sup> / <sub>4</sub>	15	2	42.0

## SERIES 713-DS FLOOR DRAIN with Integral Trap



### 713-DS

**Cast Iron Body** with Integral "P" trap.

Tapped to receive 775 back water valve.

Spigot outlets fits SV **Ty-Seal** gasket joint or may be joined with **No-Hub coupling**.

**NOTE:** For 775 back water valve, see next page.

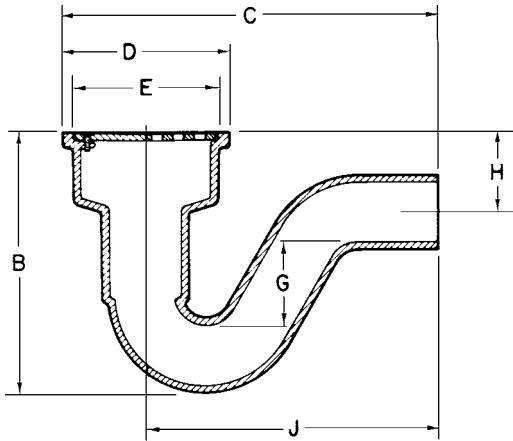
### DIMENSIONS in Inches

Ship Code	CI Strainer UPCode 670610	Ship Code	N/B Strainer UPCode 670610	Outlet	Size	Height B	Length C	Top D	Strainer E	H	J	Wt. in Lbs.
S	027973	N	027980	SP	3	11 <sup>5</sup> / <sub>8</sub>	18	10	8 <sup>7</sup> / <sub>8</sub>	3 <sup>1</sup> / <sub>4</sub>	13	28.2



# FLOOR DRAINS WITH TRAPS, FLOOR DRAIN PARTS, BACKWATER VALVES

## SERIES 732 FLOOR DRAIN with Integral Trap



### 732

**Cast Iron Body** with Integral P-Trap (**Omaha Code**)

**Spigot Outlet** only

Shipped with Perforated Cast Iron Strainer, Not Threaded for

**Back Water Valve**

Fits SV **Ty-Seal®** gasket or may be joined with Tyler **No-Hub Coupling**

### DIMENSIONS in Inches

Ship Code	UPCode 670610	Outlet	Strainer E	Top D	Height B	Length C	Seal G	J	H	Wt. Lbs.
S	029359	2	5	5 <sup>3</sup> / <sub>4</sub>	8 <sup>1</sup> / <sub>4</sub>	13	2 <sup>1</sup> / <sub>2</sub>	10 <sup>1</sup> / <sub>8</sub>	2 <sup>1</sup> / <sub>2</sub>	13.4

## FLOOR DRAIN PARTS

### CI Strainer

Ship Code	UPCode 670610	Size	Fits Drains	Weight
S	027737	6 <sup>3</sup> / <sub>4</sub>	402 & 712	1.4
S	027843	8 <sup>7</sup> / <sub>8</sub>	403 & 713 & 713-DS	2.6
S	027928	11	404 & 714	3.5
S	028055	5	732	1.4

### N/B Rim & Strainer\*

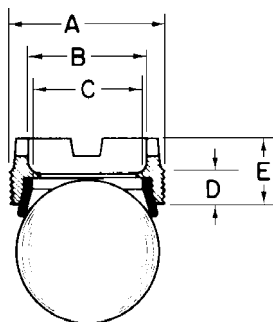
Ship Code	UPCode 670610	Strainer Size	Fits Drains	Weight
S	027812	7 <sup>3</sup> / <sub>4</sub>	712	2.7
S	027874	10 <sup>1</sup> / <sub>2</sub>	713	3.8
S	027966	12 <sup>1</sup> / <sub>4</sub>	714	4.5

\*Includes 2 screws in strainer.

### Stainless Steel Strainer

Ship Code	UPCode 670610	Size	Fits Drains	Weight
S	027355	4	667, 690, 695, 697	0.2

## SERIES 775 BACK WATER VALVES



Furnished with threaded **Brass** spud and neoprene seat with plastic **float**

### DIMENSIONS

Ship Code	UPCode 670610	Size	IPS	Width A	ID B	Seat C	Thread D	Base E	Wt. in Lbs.
S	028130	2	2	2 <sup>1</sup> / <sub>4</sub>	1 <sup>7</sup> / <sub>8</sub>	1 <sup>5</sup> / <sub>8</sub>	1/2	1	1.0
S	028147	3	2 <sup>1</sup> / <sub>2</sub>	2 <sup>3</sup> / <sub>4</sub>	2 <sup>3</sup> / <sub>8</sub>	1 <sup>3</sup> / <sub>4</sub>	5/16	1 <sup>1</sup> / <sub>4</sub>	1.5
S	028154	4	3	3 <sup>7</sup> / <sub>16</sub>	3	2 <sup>3</sup> / <sub>16</sub>	3/4	1 <sup>3</sup> / <sub>8</sub>	2.0



## FREQUENTLY ASKED QUESTIONS - SOIL DIVISION

1. Question: From what elastomers are the sealing sleeves for the Standard NO-HUB, WIDE BODY and HUSKY couplings made, and what is the highest water temperature that it will handle?

Answer: The gasket elastomer used in the manufacture of the NO-HUB, WIDE BODY and HUSKY sealing sleeves is Neoprene in accordance with ASTM C 564. The properties of Neoprene make it suitable for moderate chemicals and acids, oil fats, greases, many solvents and air with hydrocarbons. Neoprene will not support combustion. The maximum temperature that Neoprene will accommodate with continuous service is 203°F. with a maximum intermittent temperature of 212°F. Neoprene is the only gasket elastomer offered with these couplings.

2. Question: From what elastomer are the standard TY-SEAL and EZ-TITE gaskets made and what is the highest water temperature they will handle? Are these gaskets available in other elastomers?

Answer: The elastomer used in the manufacture of the TY-SEAL and EZ-TITE gaskets is Neoprene in accordance with ASTM C 564. The properties of Neoprene make it suitable for moderate chemicals and acids, oil fats, greases, many solvents and air with hydrocarbons. Neoprene will not support combustion. The maximum temperature that Neoprene will accommodate with continuous service is 203°F with a maximum intermittent temperature of 212°F. Neoprene is the only elastomer that Tyler Pipe offers with EZ-TITE gaskets. Tyler does offer the TY-SEAL gaskets in Buna-N ( also known as Nitrile or NBR ) which afford a 239° continuous service temperature maximum. Buna-N gaskets are suitable for gasoline, diesel, petroleum products, hydrocarbons, mineral water and vegetable oils.

3. Question: What is the pressure rating for the NO-HUB, WIDE BODY and HUSKY couplings?

Answer: Couplings for Drain, Waste and Vent are not pressure rated. They are designed to hold 4.3 psi (10 ft. of head) for hydrostatic testing purposes as stated in CISPI 310. The NO-HUB, WIDE BODY, HUSKY 2000 and HUSKY 4000 couplings meet the performance criteria of FM 1680, all classes.

4. Question: What is the pressure rating for the TY-SEAL and EZ-TITE compression gaskets for hub and spigot joints?

Answer: Drain, Waste and Vent compression gaskets for Service Weight pipe and fittings (TY-SEAL and EZ-TITE) are not pressure rated. They are designed to hold 4.3 psi (10 ft. of head) for hydrostatic testing purposes as recommended in the Cast Iron Soil Pipe Institute Handbook.

5. Question: Are the couplings sold by Tyler Pipe for hubless applications UL or FM approved?

Answer: No plumbing code requires UL certification for couplings. All couplings manufactured by Tyler Pipe meet the performance requirements of FM 1680, all classes, however they are not listed by Factory Mutual.

6. Question: If there is no pressure rating for TY-SEAL/EZ-TITE Gaskets or NO-HUB couplings, what will keep the joints from separating if a line backs up?

Answer: It is necessary to understand the difference between pressure and thrust. Thrust is equal to the hydrostatic pressure (4.3 psi @ 10 ft. of head) multiplied by the area. As a cylinder is filled with water, thrust forces are exerted on all changes of direction, bends, branches, fittings with reductions and ends of runs, These locations must be restrained in order to prevent joint movement or separation. On a vertical run, the weight of the pipe helps to stabilize the joints on the run, but proper restraints are still necessary.



## FREQUENTLY ASKED QUESTIONS - SOIL DIVISION

7. Question: Are the couplings sold by Tyler Pipe for hubless applications fire protection rated?

Answer: No. Since the Neoprene sleeve is completely protected by a non-flammable stainless steel shield, fire rating is not required.

8. Question: Is adhesive lubricant required to join SV pipe and fittings with TY-SEAL or EZ-TITE gaskets?

Answer: Tyler Pipe requires the use of adhesive lubricants for sizes 5" diameter and larger. On sizes 2" through 4", regular non-adhesive lubricant may be used.

9. Question: Does Tyler sell an adhesive lubricant?

Answer: Yes. Tyler offers LUBRIFAST® LUBRICANT which affords easy installation application while literally "fastening" the joint.

10. Question: Can I use an adhesive lubricant with NO-HUB couplings?

Answer: Tyler Pipe Company does not require or encourage the application of any type of lubricant with NO-HUB couplings. Although lubricants will have no adverse effect on cast iron pipe and fittings or the Neoprene sleeve of the coupling, some codes will not allow any lubricant to be applied to NO-HUB couplings. Before using any lubricant with NO-HUB or any other hubless coupling connector, check the applicable codes for restrictions.

11. Question: What is the maximum deflection of an SV or NO-HUB joint?

Answer: 5° per joint is the maximum allowable deflection for SV and NO-HUB connections.

12. Question: What coating does Tyler apply to its pipe and fittings?

Answer: Tyler Pipe applies a smooth even layer of bituminous petroleum asphalt coating through a dipping process for each piece of SV and NH pipe and all fittings. This coating affords a measure of corrosion protection as well adding cosmetic value.

13. Question: What is Tyler's recommended procedure for hydrostatic testing of SV and NH pipe?

Answer: Ten feet of head for 15 minutes, properly restrained, as referenced in the Cast Iron Soil Pipe Institute Handbook.

14. Question: Can Tyler Pipe's hubless pipe, fittings and NO-HUB Couplings be used below grade?

Answer: Yes! None of the model codes place any restriction(s) on the use of hubless pipe, fittings or couplings below grade. However, it is advised to first check with the local jurisdictional code before installation to ensure that no local restrictions have been placed on hubless below grade applications.







## SUBMITTAL: EZ-TIGHT GASKETS



### DESCRIPTION:

Ez-Tight is a one-piece compression gasket. It is used for joining hub and spigot cast iron soil pipe and fittings made according to ASTM A 74.

### GASKET SPECIFICATION:

Ez-Tight gaskets conform strictly to ASTM Standard C 564, latest issue.

### JOINT CHARACTERISTICS:

Gasket joints will not leak even if deflected as much as 5 degrees, or when subjected to vibration, seismic tremors, expansion, contraction, external or internal test pressure.

### PHYSICAL PROPERTIES

Property	Performance Requirement			ASTM Test Method
	50	60	70	
Hardness (nominal durometer $\pm 5$ ) as specified by the pipe manufacturer	50	60	70	D2240
Elongation, min, percent	350	300	250	D412
Tensile strength, min, psi (MPa)	1500 (10)	1500 (10)	1500 (10)	D412
Tear Resistance, min, lbf/in. (N/cm)	150 (268)	150 (268)	150 (268)	D624
Compression set, max, percent	25	25	25	D395
Heat aging, 96 h at 158° $\pm$ 2° F (70° $\pm$ 1° C)				D573
Hardness, increase, max, durometer points	10	10	10	–
Loss in tensile strength, max, percent	15	15	15	–
Loss in elongation, max, percent	20	20	20	–
Water absorption:				D471
Weight increase, max, percent	20	20	20	–
Ozone resistance no cracks	no cracks	no cracks	D1149	
Oil immersion:				
Volume increase, max, percent	80	80	80	D471

### BRACING:

To prevent movement, horizontal pipe and fittings 5" and larger should be suitably braced by the use of blocks, rodding or other suitable methods at every branch or change of direction.

### TEST:

For best results, test one floor (ten feet) at a time. The system should be properly restrained; all bends, changes of direction and ends of runs should be restrained.

### GASKET MATERIAL:

Ez-Tight gaskets are made of Neoprene as the sole elastomer. The physical characteristics of the Neoprene ensure that the gasket will not decay or deteriorate from contact with effluents in the pipe or chemicals in the soil or air around the pipe.

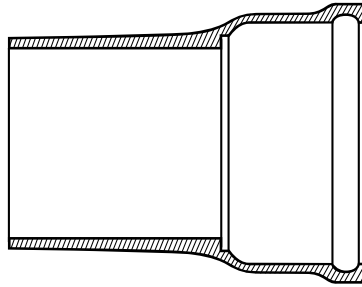
**NOTE:** An adhesive lubricant is required for TY-SEAL and EZ-TITE gasket sizes 5-inch and larger diameters. Tyler offers LUBRI/FAST® LUBRICANT for this application.

### HOW TO SPECIFY:

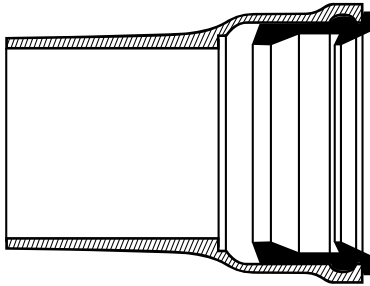
All 2-inch through 6-inch hub and spigot cast iron soil pipe and fittings shall conform to ASTM A 74; joints shall be made either by caulked lead and oakum or by compression gaskets which conform to ASTM C 564.



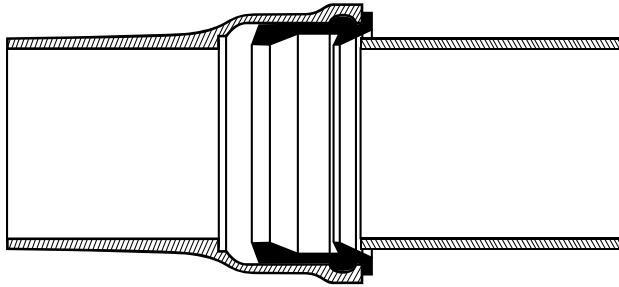
## SUBMITTAL: TY-SEAL GASKETS, HUB & SPIGOT CAST IRON SOIL PIPE & FITTINGS



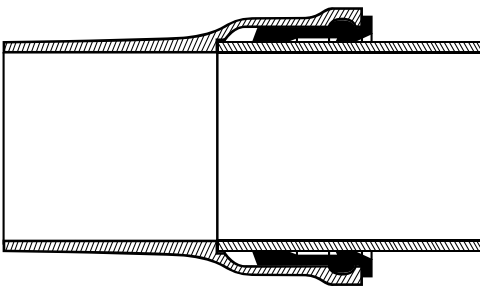
**1. Clean hub and spigot to be joined.**



**2. Insert gasket in the hub, lubricate inside the gasket**



**3. Align hub and spigot.**



**NOTE:** An adhesive lubricant is required for TY-SEAL and EZ-TITE gasket sizes 5-inch and larger diameters. Tyler offers LUBRI/FAST® LUBRICIANT for this application.

**4. Pull or push spigot through the gasket until firmly sealed.**

### DESCRIPTION

TY-SEAL is a one-piece compression gasket. It is used for joining hub and spigot cast iron soil pipe and fittings made according to ASTM A 74.

### GASKET MATERIAL

TY-SEAL gaskets are made of Neoprene as the sole elastomer. The physical characteristics of the Neoprene ensure that the gasket will not decay or deteriorate from contact with effluents in the pipe or chemicals in the soil or air around the pipe.

### GASKET SPECIFICATION

TY-SEAL gaskets conform strictly to ASTM Standard C 564, latest issue. The TY-SEAL mill specification meets or exceeds all requirements.

### PIPE SPECIFICATION

TYLER hub and spigot cast iron soil pipe and fittings comply with the latest issue of ASTM A 74, ANSI A 112.5.1 and Federal Specification WW-P-401E.

### BRACING:

To prevent movement, horizontal pipe and fittings 5" and larger should be suitably braced by the use of blocks, rodding or other suitable methods at every branch or change of direction.

### TEST:

For best results, test one floor (ten feet) at a time. The system should be properly restrained; all bends, changes of direction and ends of runs should be restrained.



## SUBMITTAL: COUPLINGS AND HUBLESS CAST IRON SOIL PIPE AND FITTINGS



### DESCRIPTION

TYLER NO-HUB couplings meet ASTM Standard C1277 and CISPI 310. Couplings consist of a knurled stainless steel shield, clamp assembly and a molded one-piece Neoprene sealing sleeve. The coupling is used to join hubless cast iron soil pipe and fittings made according to ASTM A 888 and/or CISPI Standard 301. NO-HUB couplings are currently available in sizes 1½" through 15" diameters.

### COUPLINGS MATERIALS

TYLER NO-HUB sealing sleeves are made of Neoprene as the sole elastomer. Chemical characteristics of Neoprene assure that the gasket will not decay or deteriorate from contact with effluents in the pipe or chemicals in the soil or air around the pipe.

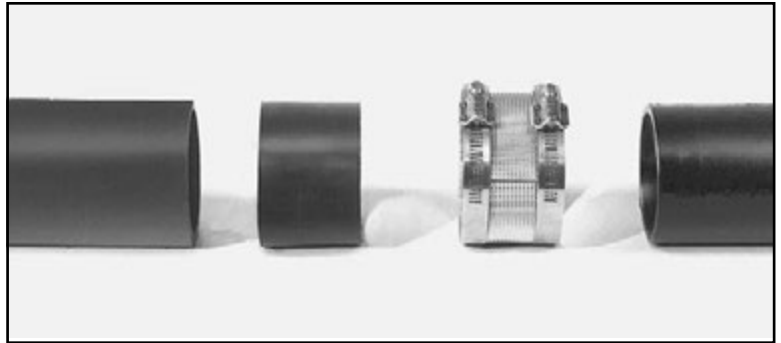
The stainless steel shield and clamp assemblies are corrosion-resistant.

### COUPLING SPECIFICATION

TYLER NO-HUB sealing sleeves conform strictly to ASTM Standard C 564. The TYLER No-Hub coupling also conforms to requirements of CISPI Standard 310 (latest revision), ASTM C-1277 and Federal Specification WW-P-401.

### PIPE SPECIFICATION

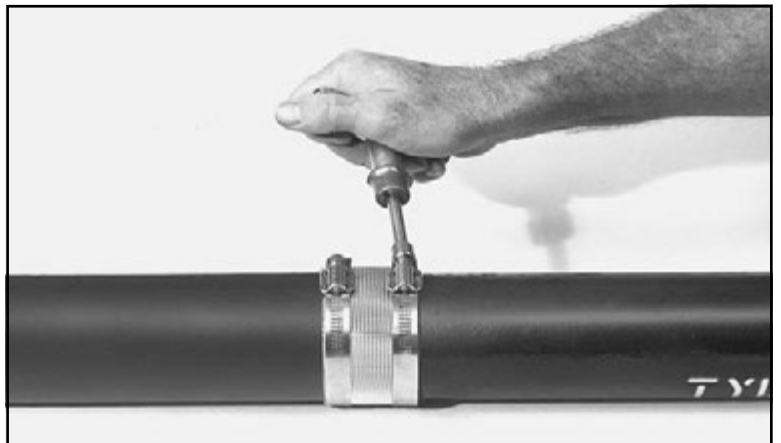
TYLER hubless cast iron soil pipe and fittings meet ASTM A888 and/or CISPI Standard 301, (latest revision), and comply with Federal Specifications WW-P-401E. (Type III.)



1. Loosen screws, separate shield and sleeve. Slip shield over one spigot.



2. Insert spigots into sleeve. Be sure that both spigots butt on center retainer inside sleeve.



3. Position shield over sleeve, tighten screws alternately to proper torque. Torque 1½" - 10" = 60 in. lbs.  
12" - 15" = 80 in. lbs.

### BRACING:

To prevent movement, horizontal pipe and fittings 5" and larger should be suitably braced by the use of blocks, rodding or other suitable methods at every branch or change of direction.

### TEST:

For best results, test one floor (ten feet) at a time. The system should be properly restrained; all bends, changes of direction and ends of runs should be restrained.



## PHYSICAL PROPERTIES OF NO-HUB GASKETS

Physical Property	ASTM Test Method	Performance Requirement
Tensile Strength	D412	1500 PSI minimum
Elongation at Break	D412	250%, minimum
Hardness, Durometer (A)	D2240	70±5 at 76°±5°F
Tear Resistance	D624 (Die C)	150 lbs. per in. minimum
Water Absorption (Wt. change, 7 days at 185°F)	D471	20% maximum
Resistance to heat aging	D573	
Change in original properties after 96 hours at 158°F.		
Hardness		10 pts. maximum
Elongation		20% maximum
Tensile Strength		15% maximum
Resistance to oil aging	D471	
Change in volume after 70 hours immersion in ASTM #3 oil at 212°F		80% maximum
Resistance to ozone	DI149	
Condition after exposure to 1.5 ppm ozone in air for 100 hours at 100°F (Loop mounted sample at 20% elongation)		No cracks at 2x magnification
Resistance to permanent set	D395	
Compression set after 22 hours at 185°F	(Method B)	25% maximum

### JOINT CHARACTERISTICS:

NO-HUB gaskets joints will not leak even if deflected as much as five degrees either side, or when subjected to vibration, seismic tremors, expansion, contraction, external or internal test pressures.

### QUALITY CONTROL:

Component parts of the NO-HUB Coupling must meet material standards and tests in conformance with Tyler Quality Control processes.

### AVAILABILITY OF PRODUCT:

TYLER NO-HUB couplings are sold through established plumbing distribution channels.

### PLUMBING CODES:

National plumbing codes and government agencies provide for Hubless Cast Iron Sanitary Systems.

### HOW TO SPECIFY:

TYLER hubless coupling shall be used in joining the Hubless Cast Iron Sanitary System for soil, waste, vent and house or building sewer lines. Pipe and fittings shall bear the registered insignia  $\Phi$  or  $\Phi$  NO-HUB indicating that these items comply with the Cast Iron Soil Pipe Institute Standard 301. (latest revision).

# SUBMITTAL ♡ NO-HUB® CAST IRON SOIL PIPE & FITTINGS



### NO-HUB PIPE, TEN-FOOT LAYING LENGTH

Ship Code	Dia.	Wt. per 10' <sup>*</sup> lbs.	Per Bundle	
			Pieces	Wt. lbs.
S	1 1/2	25	54	1350
<b>S</b>	<b>2</b>	<b>36</b>	<b>54</b>	<b>1955</b>
S	3	52	36	1855
<b>S</b>	<b>4</b>	<b>74</b>	<b>27</b>	<b>2013</b>
S	5	94	24	2256
<b>S</b>	<b>6</b>	<b>110</b>	<b>18</b>	<b>1998</b>
S	8	180	15	2718
<b>S</b>	<b>10</b>	<b>258</b>	<b>8</b>	<b>2084</b>
S	12	325	6	2130
<b>S</b>	<b>15</b>	<b>497</b>	<b>4</b>	<b>2060</b>

\*Note: Weights approximate, for shipping purposes only.

### DIMENSIONS AND TOLERANCES

Size	Hubless Pipe Barrels		
	B Inside Diameter	J Outside Diameter	T Thickness Norm. Min.
1 1/2*	1.50±.09	1.90±.06	.16 .13
2*	1.96±.09	2.35±.09	.16 .13
3*	2.96±.09	3.35±.09	.16 .13
4*	3.94±.09	4.38+.09-.05	.19 .15
5*	4.94±.09	5.30+.09-.05	.19 .15
6*	5.94±.09	6.30+.09-.05	.19 .15
8*	7.94±.13	8.38±.09	.23 .17
10*	10.00±.13	10.56±.09	.28 .22
12*	11.94±.13	12.50±.13	.28 .22
15*	15.11±.13	15.83±.13	.36 .30

\*O.D. Barrel out of round tolerance of ±.04 is permitted for 1 1/2" through 5". O.D. Barrel out of round tolerance of ±.07 for 6" and larger.

"Tyler Pipe Company strongly recommends that its hubless cast iron pipe and fittings be joined with shielded couplings manufactured in accordance with CISPI 310. The use of unshielded couplings or any coupling not meeting the above specifications will void the product warranty"

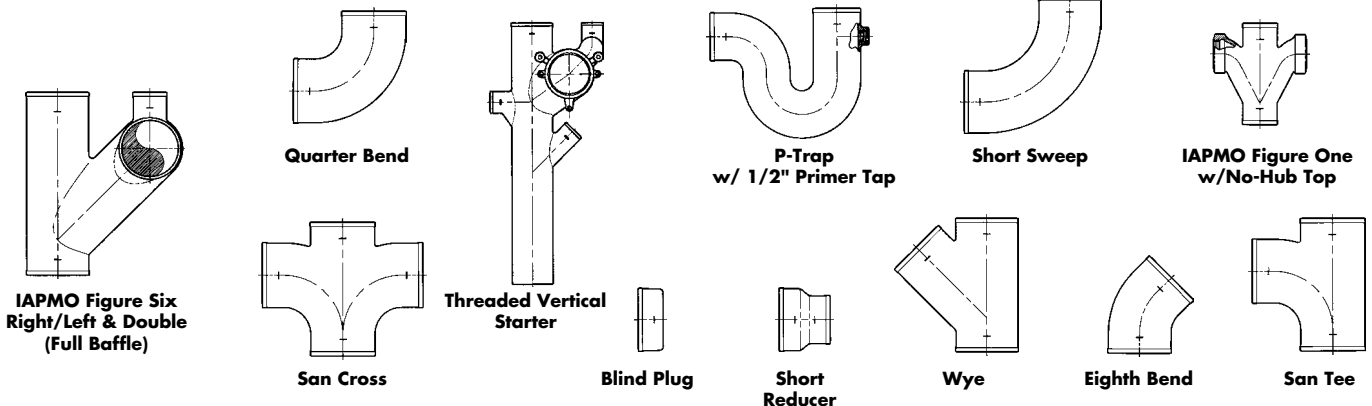
### STANDARDS

#### ♡ NO-HUB® Cast Iron Soil Pipe and Fittings:

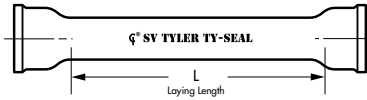
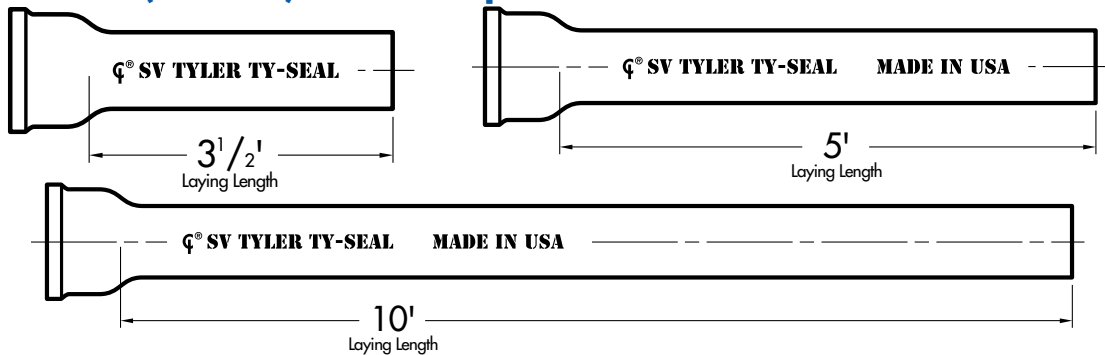
- CISPI 301: Hubless Cast Iron Soil Pipe and Fittings.
- ASTM A 888 Hubless Cast Iron Soil Pipe and Fittings.
- ASTM C 564: Rubber Gaskets for Cast Iron Soil Pipe and Fittings.

### SPECIFICATIONS

All 1 1/2" diameter and larger cast iron soil pipe and fittings for above and below grade soil, waste, vent lines, rain water conductors and storm drainage lines shall bear the registered insignia ♡ or ♡ NO HUB® indicating that these items used in the sanitary system comply with the Cast Iron Soil Pipe Institute Standards 301 or ASTM A888.



# SUBMITTAL ϕ HUB & SPIGOT CAST IRON SOIL PIPE & FITTINGS

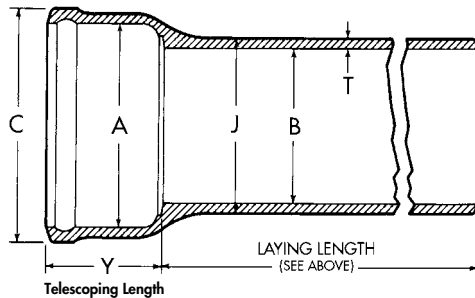


### DOUBLE HUB, 30" LENGTHS

Size	L	Wt.
2"	25	12
3"	24 1/2	17
4"	24	26

### SV CLASS SINGLE HUB PIPE

3-1/2 Ft.		5 Ft.		10 Ft.	
Size	Wt.	Size	Wt.	Size	Wt.
2	15	2	20	2	38
3	23	3	31	3	52
4	30	4	42	4	76
5	39	5	55	5	97
6	45	6	62	6	128
8	72	8	100	8	190
10	106	10	150	10	270
12	135	12	190	12	325
15	184	15	260	15	497



### SV PIPE & FITTINGS

Size	Telescoping Length Y	Hub I.D. A	Hub O.D. C	Barrel O.D. J	Barrel I.D. B	Nominal Thickness T	Minimum Thickness T
2"	2.50	2.94	3.62	2.30	1.96	0.17	0.14
3"	2.75	3.94	4.68	3.30	2.96	0.17	0.14
4"	3.00	4.94	5.68	4.30	3.94	0.18	0.15
5"	3.00	5.94	6.68	5.30	4.94	0.18	0.15
6"	3.00	6.94	7.68	6.30	5.94	0.18	0.15
8"	3.50	9.25	10.13	8.38	7.94	0.23	0.17
10"	3.50	11.38	12.44	10.50	9.94	0.28	0.22
12"	4.25	13.50	14.56	12.50	11.94	0.28	0.22
15"	4.25	16.95	18.11	15.88	15.16	0.36	0.33

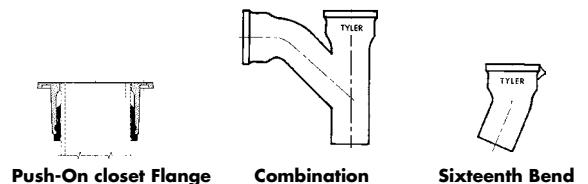
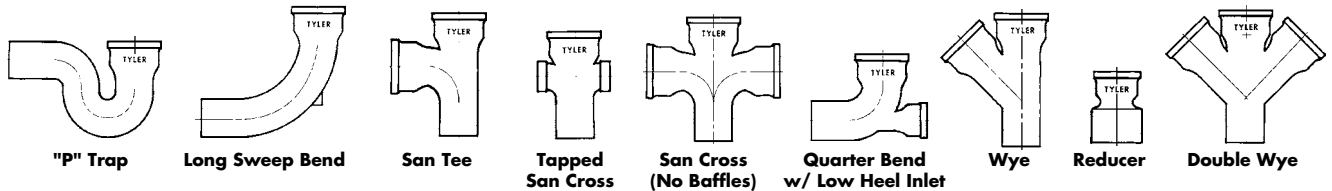
### SPECIFICATIONS

All 2-inch through 15-inch hub and spigot cast iron soil pipe and fittings shall conform to ASTM A 74; joints shall be made either by caulked lead and oakum or by compression gaskets such as TY-SEAL which conform to ASTM C 564.

### STANDARDS

ASTM A 74: Cast Iron Soil Pipe and Fittings.

ASTM C 564: Rubber Gaskets for Cast Iron Soil Pipe and Fittings





## Visit Us On The World Wide Web

- 1. SEARCH INVENTORY** for all soil pipe products in stock, 24 hours a day, 7 days a week.
- 2 SEE THE ENTIRE TYLER DWV CATALOG**  
View, print and download drawings and specifications.
- 3. FIND THE COMPLETE LIST PRICE SHEET** page-by-page. Use the Index to go right to the product group you need. Then you can view, print, or download them.

Stock check now takes just seconds. You can use either the UPC codes in the Price Sheets, or search by product description.

[www.tylerpipe.com](http://www.tylerpipe.com)

---

### STANDARDS & SPECIFICATIONS

Piping to be installed for the various services shall be as specified or in accordance with local plumbing codes:

#### CURRENT STANDARDS

##### ¶ NO-HUB® Cast Iron Soil Pipe and Fittings:

CISPI 301 ..... (Cast Iron Soil Pipe Institute)  
ASTM A 888 ..... (American Society for Testing and Materials)

##### ¶ NO-HUB® Couplings

CISPI 310 ..... (Cast Iron Soil Pipe Institute)  
ASTM C 1277 ..... (American Society for Testing and Materials)  
ASTM C 1540 ..... (American Society for Testing and Materials)

##### SV Hub and Spigot Cast Iron Soil Pipe and Fittings:

ASTM A 74 ..... (American Society for Testing and Materials)

##### Hub & Spigot Gaskets:

ASTM C 564 ..... (American Society for Testing and Materials)



---

**NO-HUB® Couplings**

---

**Cast Iron NO-HUB Pipe and Fittings**

---

**Cast Iron NO-HUB RufWall® Special Fittings**

---

**TY-SEAL® and EZ-TITE® Gaskets**

---

**Cast Iron Hub and Spigot Pipe and Fittings**

---

**Cast Iron Chicago RufWall Special Fittings**

---

**Cast Iron Staple Specials and Drains**

---

**Technical Information and Submittal Data**

---

**Distributed By**

