

1. Gas Test Gauge
2. Water Test Gauge

Description & Features:

- Economical pressure gauge and valve body assembly used for pressure testing
- Bleed port and plated housing on the gas test assembly
- Swivel hose adaptor on the Water Test Gauge
- Black steel case
- Brass or lead free brass wetted parts
- Dual scale (PSI/kPa)
- $\pm 3-2-3\%$ accuracy
- ASME B40.100 compliant
- CRN registered
- 5 year warranty

Applications:

- Residential & commercial pressure testing of natural gas, air and water lines
- Lead free version for potable water systems
- Suitable for non-clogging and non-corroding media

Specifications

Dial	2" (50mm), 2.5" (63mm) white aluminum with black and red markings
Case	Steel painted black
Lens	PETG: Polycarbonate PETM, PETM-LF, PETW, PETW-LF: Acrylic
Ring	Steel, painted black
Bourdon Tube	PET: Phosphor bronze PET-LF: Lead free phosphor bronze
Movement	Brass
Pointer	Aluminum, black
Connection	PETG: 3/4" NPTF PETM, PETM-LF, PETW, PETW-LF: 3/4" female swivel hose connection
Maximum Pointer	Available on Water Test Gauge only
Welding	#50 tin solder
Ambient/Process Temperature	-40°F to 150°F (-40°C to 65°C)
Gas Test	-40°F to 150°F (-40°C to 65°C)
Water Test	32°F to 150°F (0°C to 65°C)
Working Pressure	Maximum 75% of full scale value
Accuracy	$\pm 3-2-3\%$ ANSI/ASME Grade B
Enclosure Rating	IP52

PET Order Codes (products in bold are normally stock in North America)

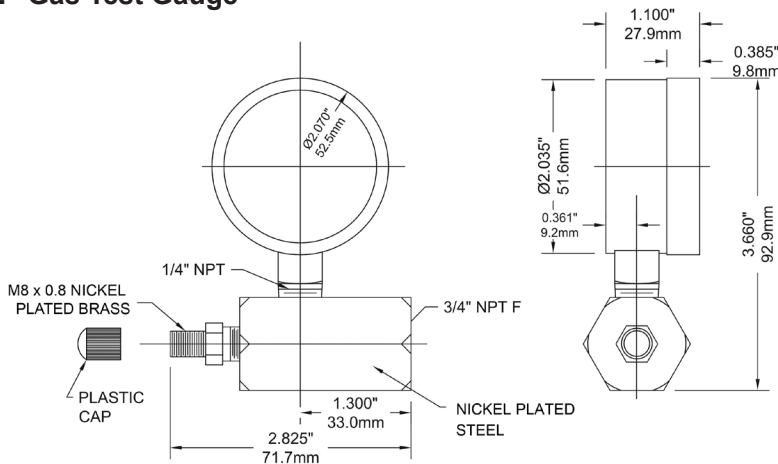
Product	Gas Test Gauge	Water Test Gauge	Maximum Pointer Water Test Gauge
Dial Size	2" (50mm)	2.5" (63mm)	2.5" (63mm)
Connection	Adapts to 3/4" NPTF	3/4" Female Swivel Hose Connection	3/4" Female Swivel Hose Connection
0/15 psi	PETG201	-	-
0/30 psi/kPa	PETG202	-	-
0/60 psi/kPa	PETG203	-	-
0/100 psi/kPa	PETG204	-	-
0/160 psi/kPa	PETG205	PETW213	PETM213
0/300 psi/kPa	-	PETW217	PETM217

PET-LF Order Codes (products in bold are normally stock in North America)

Product	Water Test Gauge	Maximum Pointer Water Test Gauge
Dial Size	2.5" (63mm)	2.5" (63mm)
Connection	3/4" Female Swivel Hose Connection	3/4" Female Swivel Hose Connection
0/160 psi/kPa	PETW213LF	PETM213LF
0/300 psi/kPa	PETW217LF	PETM217LF

Other ranges and connection sizes available upon request. For scale change, refer to How to Order Guide for scale codes.

2" Gas Test Gauge



2.5" Water Test Gauge

